

# END-OF-ARM-TOOLING

2018.2019 GR08 | English

**FIPA**  
*challenge accepted*

“Only those who think ahead stay ahead.”



### Competence in End-of-Arm-Tooling

FIPA specializes in developing and selling high-quality products, innovative material-flow and "pick & place" system solutions.

At FIPA, quality means – above all – developing products and solutions that are precisely adapted to the customer's requirements.

That is why we apply not only standard components but also highly customized individual solutions.

FIPA experts are ready to serve you with advanced application know-how, professional project management, and innovative approaches.

FIPA accepts the challenge of finding solutions where others have already given up.

This customer-oriented approach to quality also means that you can choose from modular products to put together the exact solution for which you are looking.

It should come as no surprise that FIPA also provides its customers with equally effective customer service.


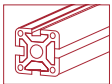
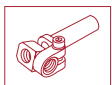
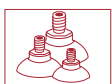
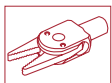

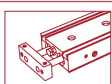




FIPA has long been an internationally oriented company with more than just a first-class line of products. Thanks to a large sales network, FIPA can be where its customers are. FIPA will provide you with the service and technical support that you expect from a long-term partnership.

In this catalog you will find a wide selection of End-of-Arm-Tooling (EOAT) components for handling any type of workpiece, even those with complex shapes.

We invite you to look through this catalog and get to know FIPA's EOAT products. You will find what you are looking for. We promise.

Because even if "your" product is not in the catalog, all you need to do is call us. And FIPA will develop it for you.

Best regards, Rainer Mehrer,  
President of FIPA

About FIPA   Gripper assembly		2
Quick-change systems		11
Extrusion systems		49
Gripper arms		103
Vacuum cups		121
Grippers		161
Nipper technology		279
Linear technology		329
Control technology and system monitoring		357
Vacuum generation		385
Electronics and sensors		401
Tubing technology		425
General technical information		458
Questionnaires		462
Item numbers index		471

## FIPA: YOUR SERVICE POINT

FIPA places the highest value on an excellent service culture that includes personal contact and professional project management. Just call us! We'll happily provide the appropriate information, service, or product you require.



### Training and seminars

So that no questions go unanswered



### Tests and loan equipment

Doing is better than studying



### Personal advice

You have the choice: an initial consultation or an expert-level meeting



### Installation and commissioning

"Doesn't work" isn't an option



### Weekend installation

Nobody wants a machine that's doing nothing



### E-academy

Your flexible FIPA continual training scheme



### Service package with extended guarantee

For long-term satisfaction



### Goods management

Order stock goods by 4 p.m. (CET) for same-day dispatch



### Hotline

Manned continuously from 7 a.m. to 6 p.m. (CET), Monday to Friday



### FIPA Service

For all information about our services, visit [www.fipa.com](http://www.fipa.com)



---

*A highly-developed service culture includes personal contact and professional project management. Both of these are very important at FIPA. This is the only way to create the best possible solutions for all problems relating to vacuum-, gripper- and lifting technology.*

---

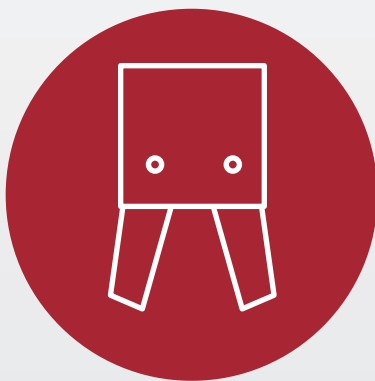
Giovana Sarmiento Diaz-Schäfer | Project Engineer Business Unit Packaging



## KEY ELEMENTS

The potential of modular systems is that a limited number of elements can give rise to endless possibilities for new developments. These can be achieved in the shortest possible time frame with reliable results.

### END-OF-ARM-TOOLING



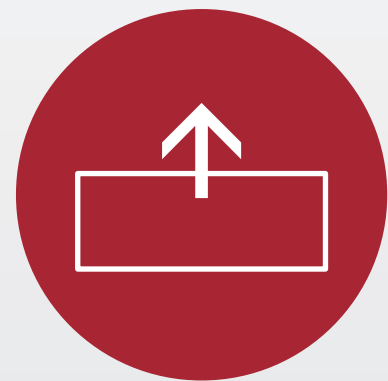
Gripping | Cutting

### VACUUM TECHNOLOGY



Suction | Control and regulation  
Vacuum generation

### LIFTING TECHNOLOGY



Lifting | Moving  
Transporting



You can find all the information you need about FIPA components at [www.fipa.com](http://www.fipa.com) or in the corresponding product catalog



---

*The elements of our modular construction kit system can be joined up quickly, and they function reliably. Whether in robotics, crane- and lifting technology or in general handling tasks, almost any required situation can be covered with standard components.*

---

Michael Kaltenecker | Business Development Manager

# OUR MARKETS

## Plastics

"Increasing cost pressure, complex component geometries, additional material functions, and ever-decreasing time-to-market: These are the challenges the plastics industry faces every day.

Our response: Highly flexible gripper systems, heat-resistant components, low-marking and silicone-free HNBR pads for handling sensitive parts, and customized grippers for highest customer requirements."



MARTIN TURNER  
Director Business Unit Plastics



INJECTION MOLDED PART REMOVAL  
GATE CUTTING  
LIFTING BAGS OF GRANULAR MATERIAL

---

## Sheet Metal

"Products for the metal and sheet metal processing industry should be high-quality, durable, extremely lightweight, and cost-effective. Another requirement is to align production to accommodate a wide variety of products in small lot sizes.

Our response: Extremely wear-resistant materials, silicone-free and PWIS-free vacuum cups, gripper spiders for robot-assisted handling of large sheet metal parts, and innovative gripper systems."



THOMAS TREFZER  
Director Business Unit Sheet Metal



SHEET METAL TRANSFER  
AUTO BODY PANEL HANDLING  
MACHINERY LOADING

## Packaging

"Nowadays packaging is not only expected to protect products, it should also extend the shelf-life, be impermeable to oxygen, light, and moisture while being sustainable and individual. Manufacturers of packaging equipment rely on construction kit systems to master these tasks.

Our response: The worldwide largest range of vacuum cups can be combined with countless vacuum components to ensure that all types of packaging can be gripped safely."



TORSTEN EIFLER  
Director Business Unit Packaging



PICK & PLACE  
CARDBOARD BOX HANDLING  
PALLET HANDLING  
BAG HANDLING  
FOOD & BEVERAGE

## General Industries

"FIPA's modular, flexible product portfolio is not restricted to our three core markets. We rise to the challenge of any application – whether in the wood or glass industry or the electronic industry.

Our claim: to offer advice when planning systems and selecting components, to develop solutions with utmost precision, and to provide support during assembly and commissioning."



THOMAS WOJTCZYK  
Head of General Industries



PCB HANDLING  
WOOD PROCESSING CENTER  
AND  
GLASS PROCESSING MACHINES



## FIPA Gripper assembly – your options for the highest benefit of technology and know-how

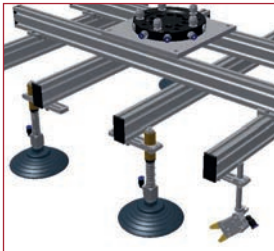


- > Providing a workpiece sample or CAD drawing allows us to offer the optimal gripper
- > We will be pleased to perform gripping tests with your material to select the appropriate components



### Option 1

- > FIPA provides full technical support and supplies all required components
- > You conduct the final assembly



### Option 2

- > FIPA designs the gripper according to your specification in 3D CAD and all components and an installation guide are provided
- > You conduct the final assembly



### Option 3

- > FIPA plans and assembles the gripper according to your specification
- > The gripper is delivered already preset and needs only on-site fine-tuning



### Cutting stations

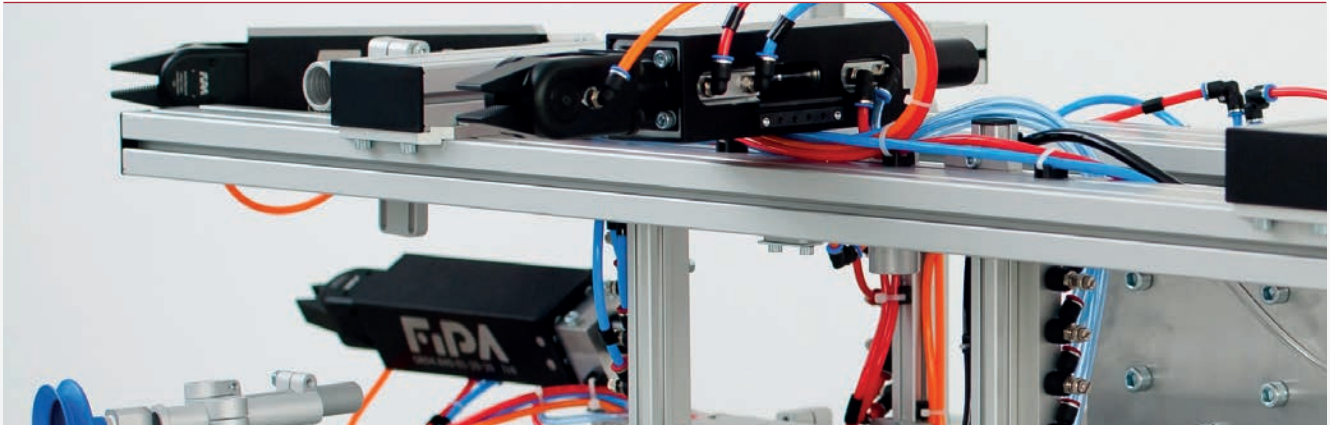
- > FIPA plans and realizes cutting stations for cutting off sprues
- > For our extensive range of air nippers and suitable blades please refer to this catalog

Please complete the questionnaire on pages 462 - 465, so that we can select the optimal product for you.  
You can also find and download the questionnaire on [www.fipa.com](http://www.fipa.com).





FIPA Components for gripper assembly



Suction fingers or vacuum cup fittings



Suction fingers, rigid

Suction fingers, rotatable

Suction fingers, spring-loaded, rotatable, with anti-twist protection

Adjustable vacuum cup fitting

Application example

Extrusions and connectors



Extrusion systems / S, M and XLine

Angle clamps

Angle connectors

Application example

Application example

Active gripping elements



Grippers

ID grippers

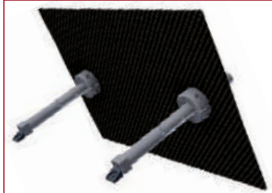
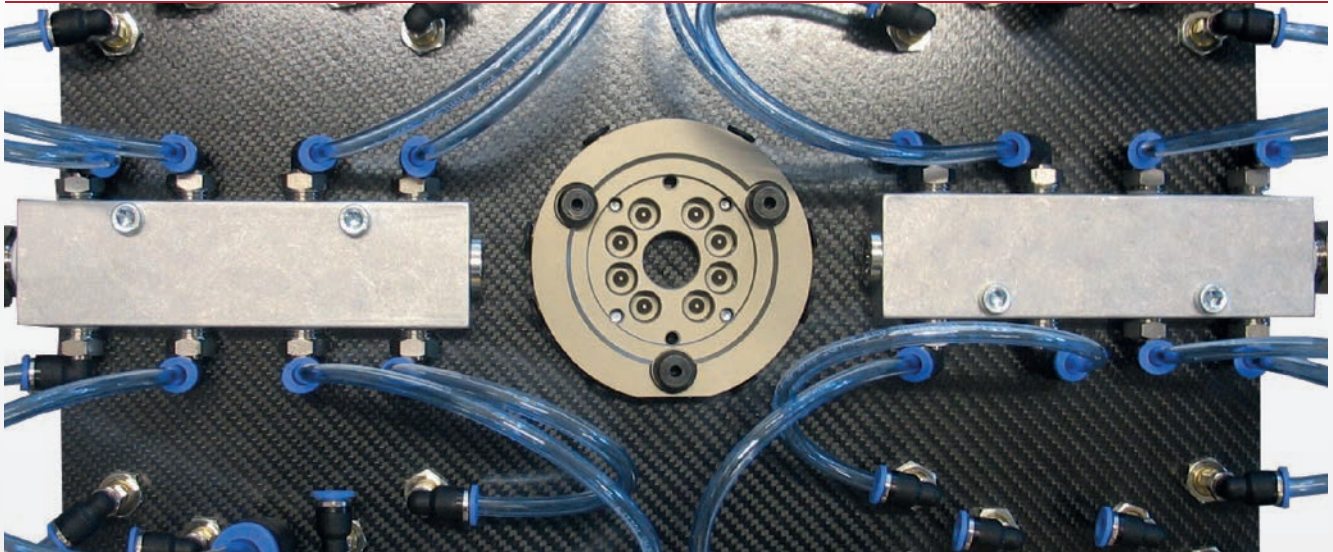
Finger grippers

Parallel grippers

Needle grippers



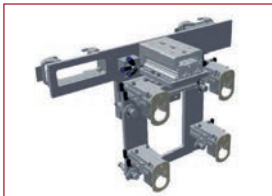
## FIPA Plate-based gripper systems



### Plate-based gripper systems made of aluminum or carbon fiber (CFK)

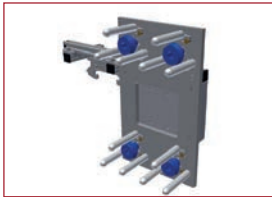
#### Properties

- > Simplified gripper construction reduces costs and weight compared to extrusion-based systems
- > Connecting elements such as angle clamps or profile connectors can be omitted
- > Lower total weight enhances gripping dynamics and reduces current consumption



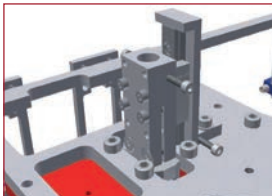
### Example 1 – Tool for gripping a two-component part

- > Four parallel grippers
- > Linear guiding block
- > Four customized centering plates
- > Quick-change system
- > Holder for Harting plug



### Example 2 – Tool for gripping a cylindrical part

- > Four vacuum cups made of vinyl
- > Twelve POM centering pins
- > Quick-change system
- > Holder for Harting plug



### Example 3 – Tool for gripping an electronic part

- > Four grippers on guide blocks
- > Six parallel grippers
- > Quick-change system



### Clamping rings

- > Mounting gripper components with a shaft to plate-based EOAT

Larger grippers can be realized by combining extrusions and plates:

- > Extrusions for supporting structure
- > Plates for integration of gripper components



## FIPA Grippers based on polyamide (PA) laserforming



- > FIPA offers PA-grippers as an alternative to aluminum extrusion-based systems
- > The structures are built layer by layer via laserforming



### Properties of PA-grippers

- > Realization of special gripping tools in quantities of one or more
- > Use of PA-components reduces weight and increases gripping dynamics
- > Adjustment to workpiece contour enables high accelerations and gentle handling of sensitive products
- > Vacuum or air channels integrated into the material minimize piping and complexity and enable space-saving installation
- > High-performance PA-material approved for direct food contact
- > Combining aluminum (support structure) and PA (custom gripper geometry) extends range of applications



### Example 1

- > Modular grippers for chocolate bars for use with Delta Robots
- > Flexible gripper fingers for gentle product handling



### Example 2

- > Modular gripper for short duty cycles
- > Integrated ejector EMM and Varioflex® bellows vacuum cup for height compensation



### Example 3

- > Modular gripper for cans
- > Gripper design follows the contours of the can and thus enables high accelerations

> Using PA-grippers reduces weight by up to 70 % compared to conventional systems!  
 > We will be happy to develop your customized gripper solution!

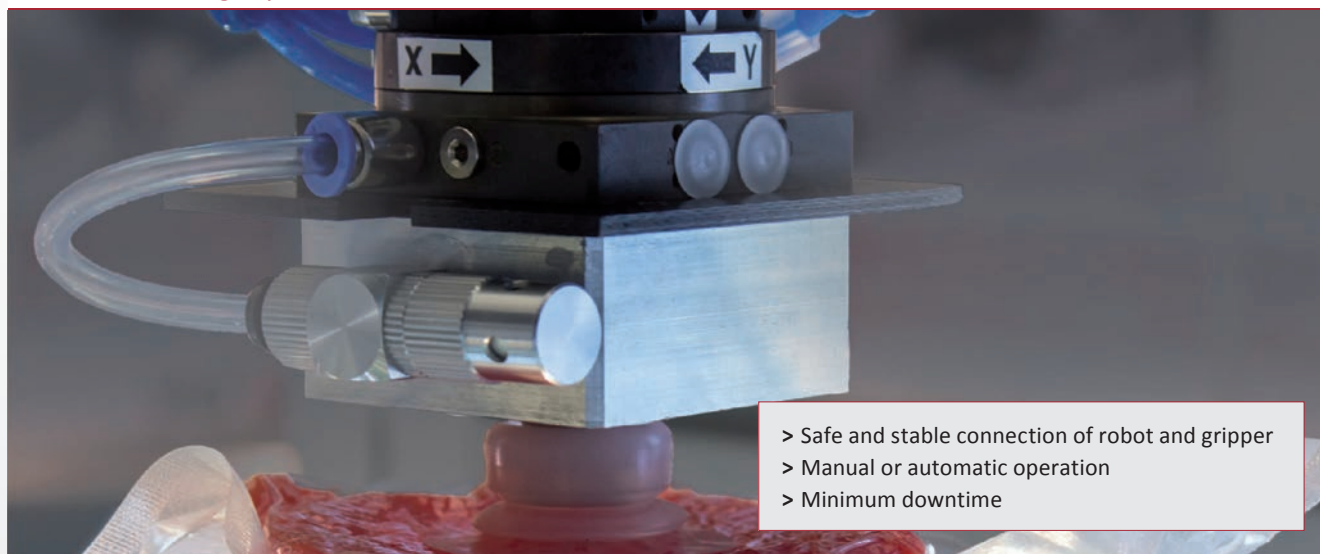




Quick-change systems at a glance .....	12
S Series .....	13
SR Series .....	20
R Series .....	39
ASR Series .....	42



## FIPA Quick-change systems



- > Safe and stable connection of robot and gripper
- > Manual or automatic operation
- > Minimum downtime



### S Series – manual quick-change system

- > Four sizes with load capacity from 5 to 40 kg
- > Easy change-over of base plates and pneumatic couplings
- > Spring loaded base plates for compensating ejector stroke of injection molding machines (GR05.023, GR05.024)

> See page 13



### SR Series – manual quick-change system

- > Three sizes with load capacity of 20, 40 and 100 kg
- > Secure snap-on coupling SAFE-LOCK
- > Locking position optically indicated (red/green)
- > Model MV comes with micro valves for automatic air lock off during decoupling

> See page 20



### Accessories

- > Plates to adapt SLine and MLine extrusions directly to round quick-changers
- > Fits to round quick-changers from FIPA and other brands
- > Wall brackets for safe storing of gripper systems



### ASR Series – automatic quick-change system

- > Two sizes with load capacity of 5 and 20 kg
- > Secure locking system with guide pins, compensates positional deviations during coupling
- > Optional electric plug connectors for transmitting up to eight sensor signals

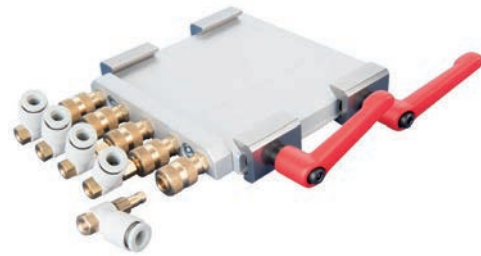
> See page 42



## Quick-change systems – square, robot side, without fittings



GR05.041



GR05.041 incl. quick-connection couplers

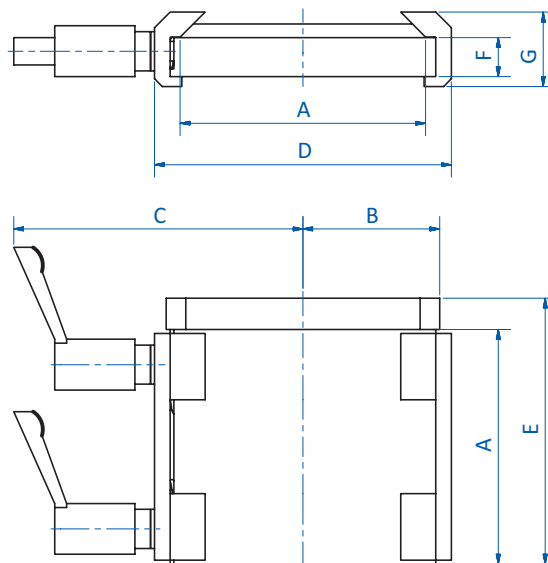
### Product notes

- > Manual interface between robot and gripper system
- > Minimized down time due to fast gripper change
- > Available in four sizes
- > Clamping levers included in scope of delivery
- > Base plates and pneumatic connections not included in scope of delivery

### Technical data

Item no.	Industry standard code	Number of pneumatic connections	Compatible hose $\varnothing$ [mm]	Lifting force [N]	Weight [g]	Accessories
<b>GR05.041</b>	GR-0	5	6	50	315	Gripper mounting plate: GR05.042 (p.15) Quick-connection coupler: KIT1-GR05.041
<b>GR05.021</b>	GR-1	5	6	100	570	Gripper mounting plate: GR05.022 (p.15) Quick-connection coupler: KIT1-GR05.021
<b>GR05.031</b>	GR-2	5	6 / 8	200	1,970	Gripper mounting plate: GR05.032 (p.15) Gripper mounting plate: GR-XL05.032 (p.15) Quick-connection coupler: KIT1-GR05.031
<b>GR05.051</b>	GR-3	5	6 / 8	400	4,520	Gripper mounting plate: GR05.052 (p.15) Gripper mounting plate: GR-XL05.052 (p.15) Quick-connection coupler: KIT1-GR05.031

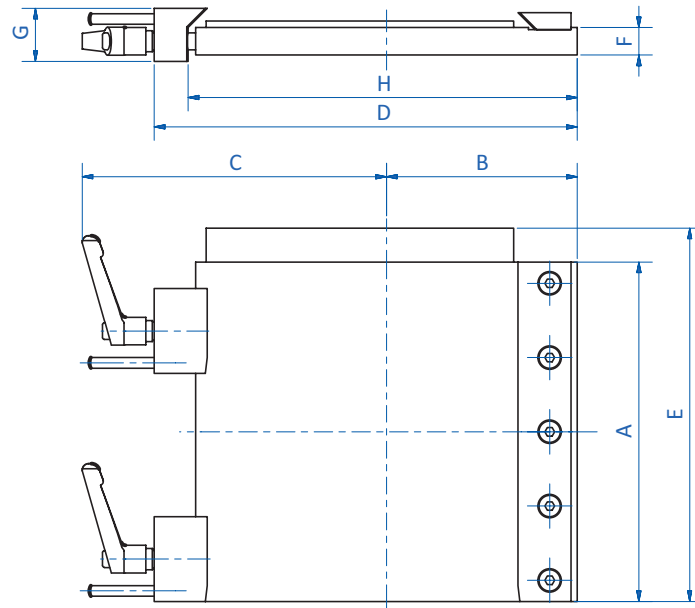
### Dimensions



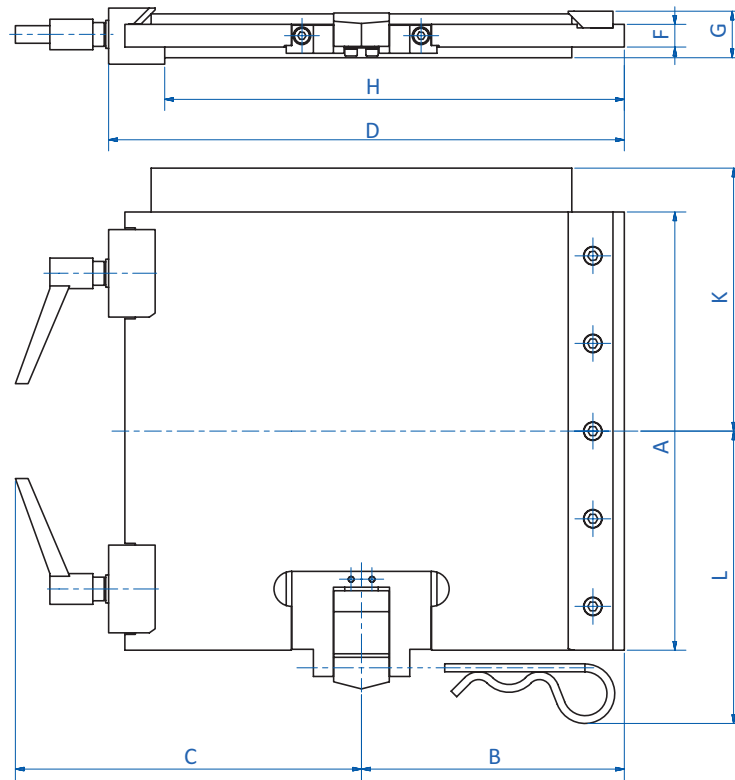
GR05.041 | GR05.021



### Dimensions



GR05.031



GR05.051

Item no.	A [mm]	B [mm]	C [mm]	D [mm]	E [mm]	F [mm]	G [mm]	H [mm]	K [mm]	L [mm]
GR05.041	60	38	74	76	68	10	19	62	--	--
GR05.021	100	57.5	91.5	115	110	10	20	101	--	--
GR05.031	160	90	143.5	198	176	13	25	183	--	--
GR05.051	250	150	197.5	290	--	13	32	259	150	167



Gripper mounting plates



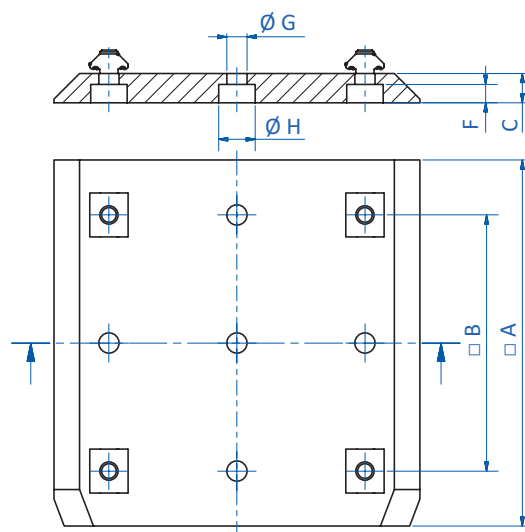
Product notes

- > Suitable for square quick-change systems GR05.021 to GR05.051
- > Base plates with pre-located, center-punched holes enable custom drilling patterns (index -X)
- > Slot nuts and mounting screws included in scope of delivery, except for base plates index -X

Technical data

Item no.	Industry standard code	Suitable for extrusion system	Weight [g]	Suitable robot adapter plates
GR05.042	GR-0	SLine / MLine	84	GR05.041 (p.13)
GR05.022	GR-1	SLine / MLine	230	GR05.021 (p.13)
GR05.032	GR-2	SLine / MLine	635	GR05.031 (p.13)
GR05.052	GR-3	SLine / MLine	1,650	GR05.051 (p.13)
GR-XL05.032	GR-2	XLine	752	GR05.031 (p.13)
GR-XL05.052	GR-3	XLine	1,784	GR05.051 (p.13)
GR05.042-X	GR-0	SLine / MLine	84	GR05.041 (p.13)
GR05.022-X	GR-1	SLine / MLine	208	GR05.021 (p.13)
GR05.032-X	GR-2	SLine / MLine	635	GR05.031 (p.13)
GR05.052-X	GR-3	SLine / MLine	1,650	GR05.051 (p.13)

Dimensions

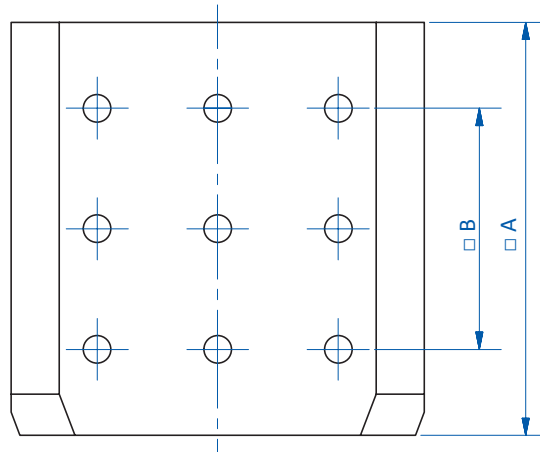
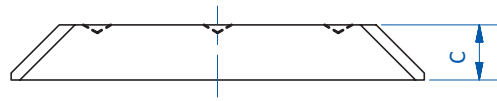


GR05.042 | GR05.022 | GR05.032 | GR05.052 | GR-XL05.032 | GR-XL05.052

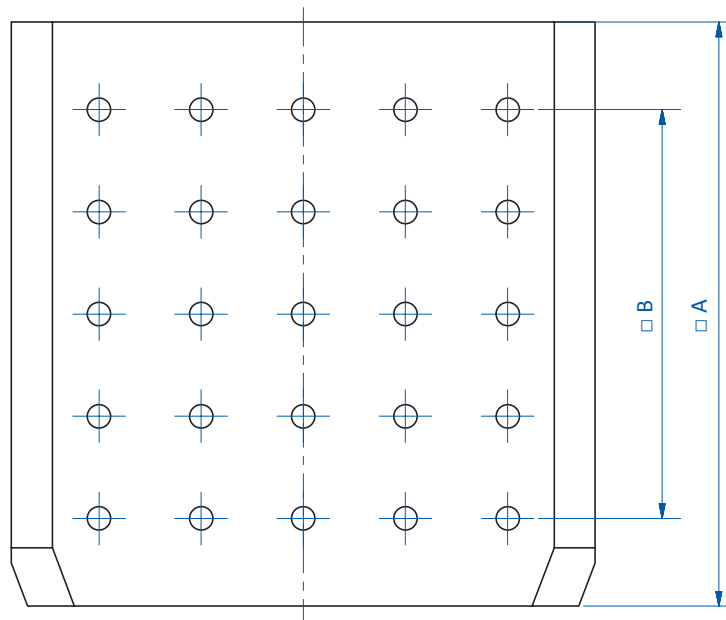
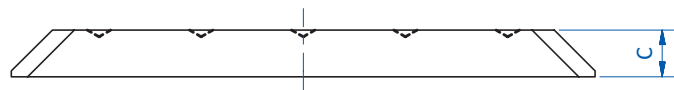
Continued on the next page



### Dimensions



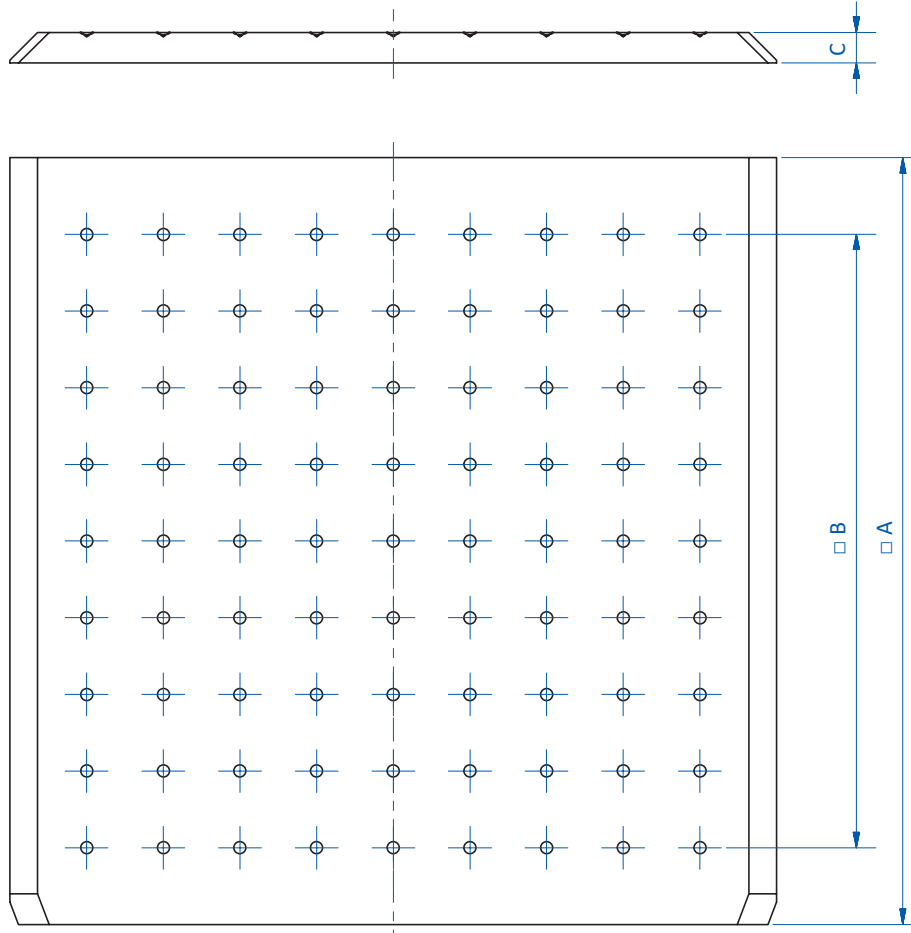
GR05.042-X



GR05.022-X | GR05.032-X



Dimensions

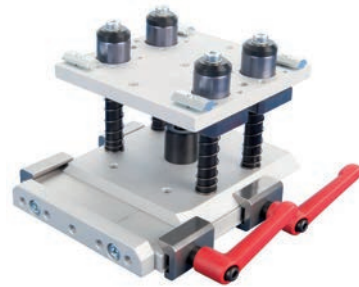


GR05.052-X

Item no.	□ A [mm]	□ B [mm]	C [mm]	F [mm]	∅ G [mm]	∅ H [mm]
GR05.042	60	35	8	5	5.5	10
GR05.022	100	70	8	5	5.5	10
GR05.032	160	120	10	4.5	5.5	10
GR05.052	250	200	10	7	5.5	10
GR-XL05.032	160	120	10	6.5	8.5	14
GR-XL05.052	250	200	10	6.5	8.5	14
GR05.042-X	60	35	8	--	--	--
GR05.022-X	100	70	8	--	--	--
GR05.032-X	160	120	10	--	--	--
GR05.052-X	250	200	10	--	--	--



### Gripper mounting plates – spring loaded



Gripper mounting plate with quick-change system GR05.021

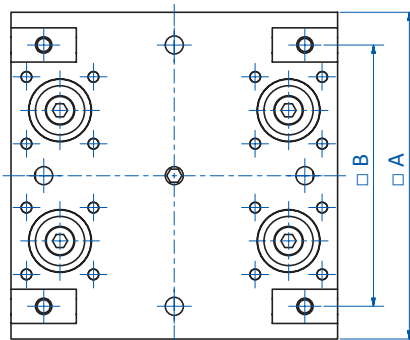
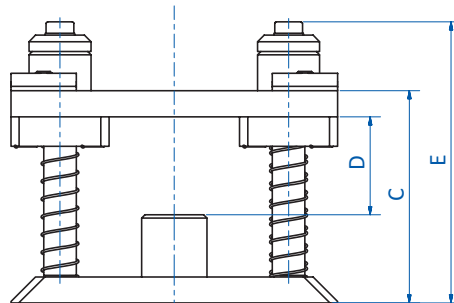
#### Product notes

- > Base plate for compensating ejection stroke of molding machine
- > High-quality slide bearings ensure accurate guidance
- > A second set of springs with higher spring rate included in scope of delivery
- > Slot nuts and mounting screws included in scope of delivery

#### Technical data

Item no.	Suitable for extrusion system	Industry standard code	Stroke [mm]	Spring stiffness (already built in) [N/mm]	Spring stiffness (alternatively) [N/mm]	Weight [g]	Suitable robot adapter plates
<b>GR05.023</b>	SLine	GR-1	30	0.143	0.349	690	GR05.021 (p.13)
<b>GR05.024</b>	SLine / MLine	GR-1	30	0.143	0.349	690	GR05.021 (p.13)

#### Dimensions



Item no.	A [mm]	B [mm]	C [mm]	D [mm]	E [mm]
<b>GR05.023</b>	100	80	65	30	86
<b>GR05.024</b>	110	85	65	30	86





### Wall brackets for square quick-change plates



Wall bracket with quick-change plate

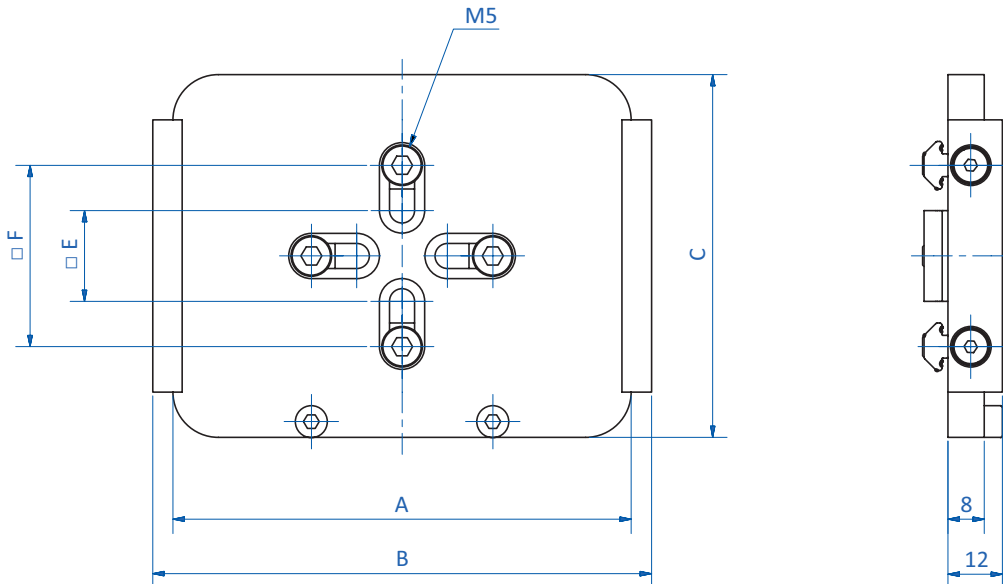
#### Product notes

- > Efficient storage of gripping systems
- > Fixing kit included in delivery

#### Technical data

Item no.	Weight [g]	Compatible gripper mounting plate
GR05.042-W	145	GR05.042 (p.15)
GR05.022-W	212	GR05.022 (p.15)
GR05.032-W	385	GR05.032 (p.15)
GR05.052-W	1,218	GR05.052 (p.15)

#### Dimensions



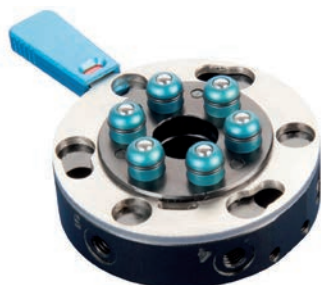
Item no.	A [mm]	B [mm]	C [mm]	□ E [mm]	□ F [mm]
GR05.042-W	60	70	80	20	40
GR05.022-W	101	110	80	20	40
GR05.032-W	161	170	100	20	40
GR05.052-W	251	260	200	60	120



# Quick-change systems | SR Series

Round quick-changers Ø 50 mm, 6 air inlets – robot side

## Round quick-changers Ø 50 mm, 6 air inlets – robot side



SR50-A-SL-MV with optical locking indication SAFE-LOCK

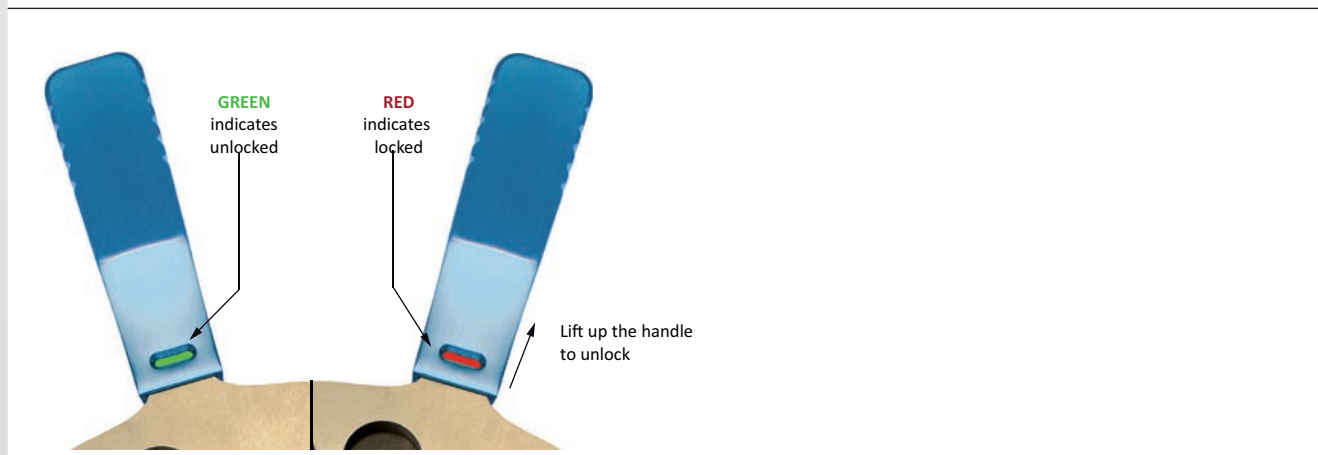
### Product notes

- > Manual interface between robot and gripper system
- > Air connections always correctly aligned
- > Body made of anodized aluminum alloy
- > Model MV comes with micro valves for automatic air or vacuum lock off during decoupling
- > Model SL with secure SAFE-LOCK ensures maximum functional reliability and optical locking indication (red/green)
- > Stainless steel design on request

### Technical data

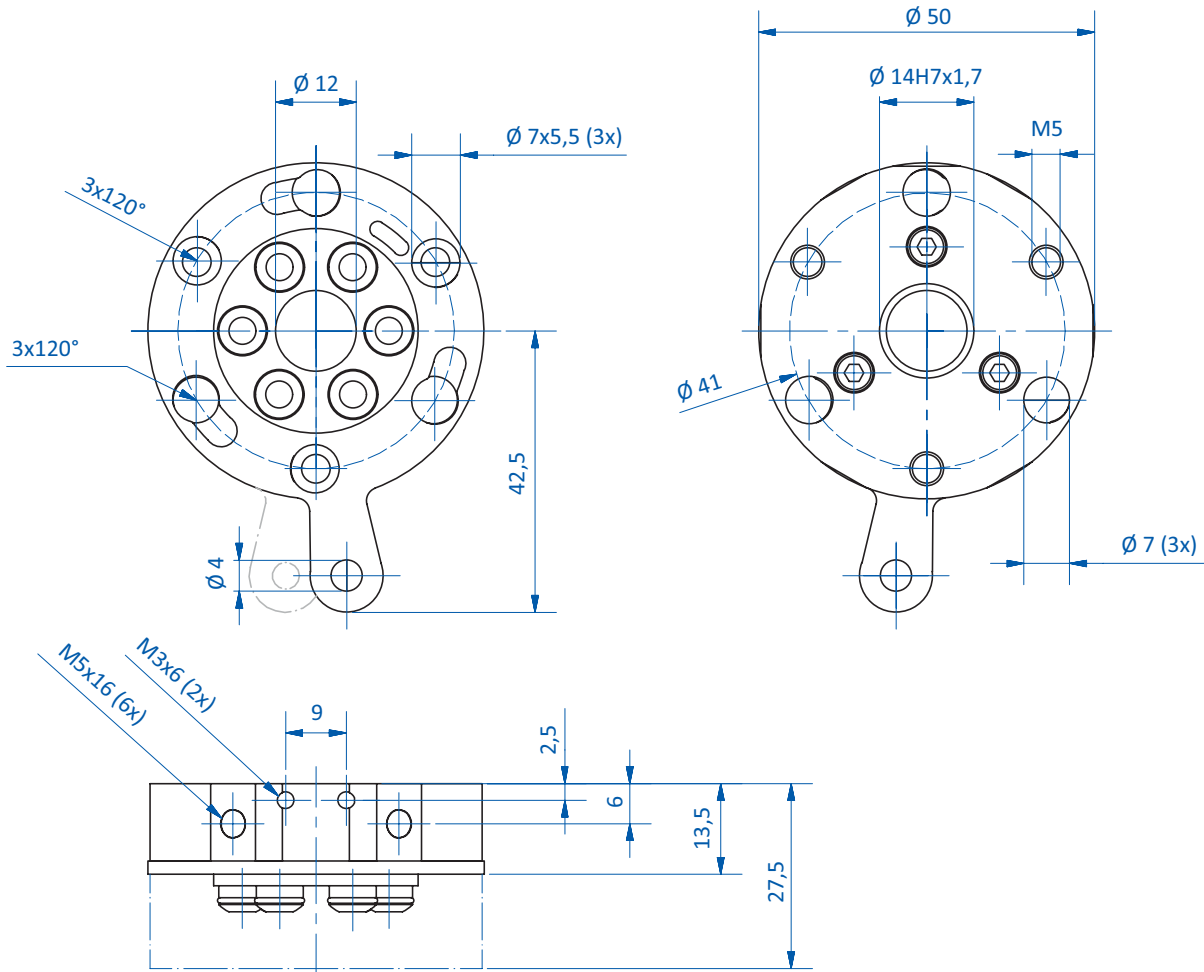
Item no.	SR50-A	SR50-A-MV	SR50-A-SL	SR50-A-SL-MV
Lifting force [N]	200	200	200	200
Number of pneumatic connections	6xM5	6xM5	6xM5	6xM5
Working pressure [bar (psi)]	0 - 6 (0 - 87)	0 - 6 (0 - 87)	0 - 6 (0 - 87)	0 - 6 (0 - 87)
Max. torque [Nm]	50	50	50	50
Max. bending moment [Nm]	30	30	30	30
Repeat accuracy [mm]	+/- 0.025	+/- 0.025	+/- 0.025	+/- 0.025
Micro valves	--	integrated	--	integrated
Snap-on	--	--	SAFE-LOCK for secure locking	SAFE-LOCK for secure locking
Weight [g]	65	65	65	65
Accessories	Electrical connectors: 20.537 (p.38) Spare part kit: KIT-SR50	Electrical connectors: 20.537 (p.38) Spare part kit: KIT-SR50	Electrical connectors: 20.537 (p.38) Spare part kit: KIT-SR50	Electrical connectors: 20.537 (p.38) Spare part kit: KIT-SR50

### Display of optical locking indication SAFE-LOCK





Dimensions



SR50-A | SR50-A-MV

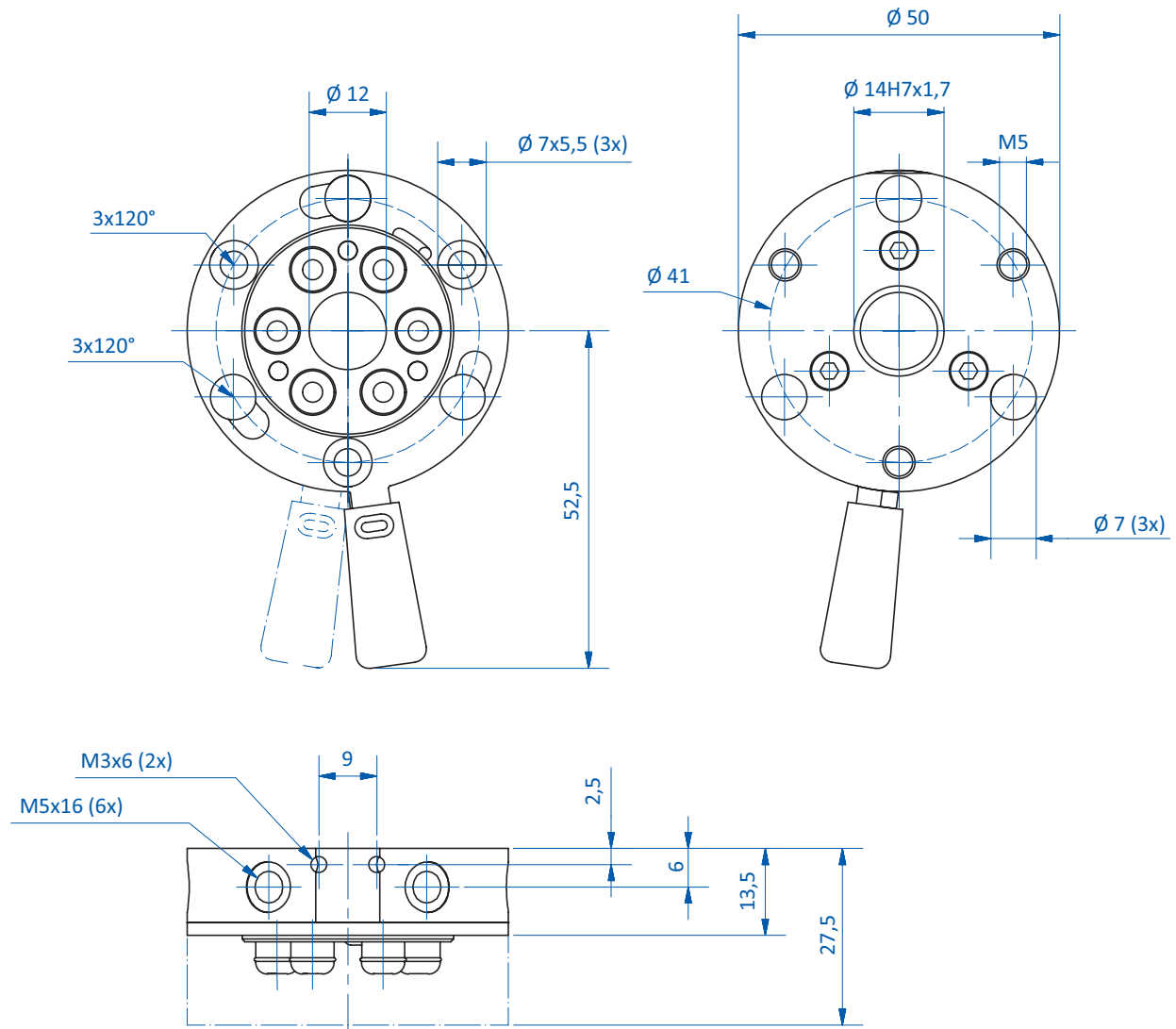
Continued on the next page →



# Quick-change systems | SR Series

Round quick-changers  $\varnothing$  50 mm, 6 air inlets – robot side

## Dimensions



SR50-A-SL | SR50-A-SL-MV



## Round quick-changers $\varnothing$ 50 mm, 6 air inlets – gripper side



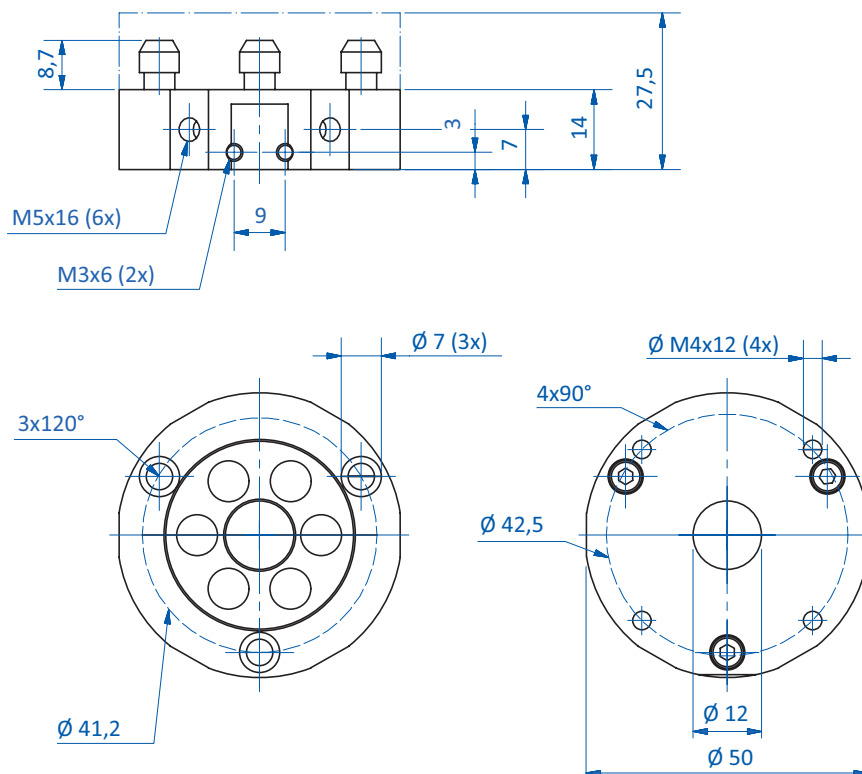
### Product notes

- > Manual interface between robot and gripper system
- > Air connections always correctly aligned
- > Body made of anodized aluminum alloy
- > Stainless steel design on request

### Technical data

<b>Item no.</b>	<b>SR50-B</b>
<b>Lifting force [N]</b>	200
<b>Number of pneumatic connections</b>	6xM5
<b>Working pressure [bar (psi)]</b>	0 - 6 (0 - 87)
<b>Max. torque [Nm]</b>	50
<b>Max. bending moment [Nm]</b>	30
<b>Repeat accuracy [mm]</b>	+/- 0.025
<b>Weight [g]</b>	69
<b>Suitable electrical connectors</b>	20.538 (p.38)

### Dimensions





# Quick-change systems | SR Series

Round quick-changers Ø 90 mm, 8 air inlets – robot side

## Round quick-changers Ø 90 mm, 8 air inlets – robot side



SR90-A-SL with optical locking indication SAFE-LOCK

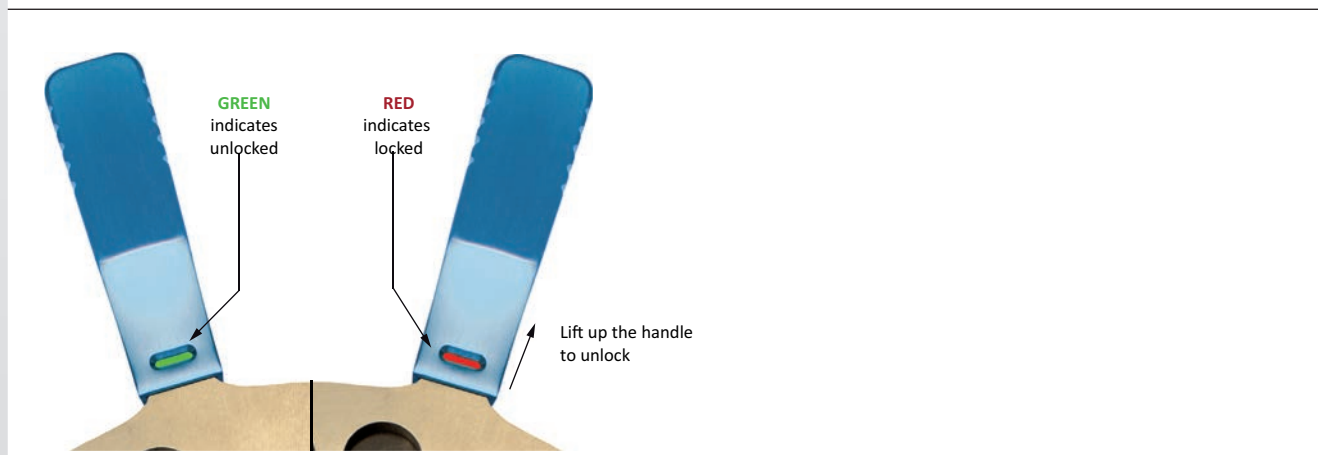
### Product notes

- > Manual interface between robot and gripper system
- > Air connections always correctly aligned
- > Body made of anodized aluminum alloy
- > Model MV comes with micro valves for automatic air or vacuum lock off during decoupling
- > Model SL with secure SAFE-LOCK ensures maximum functional reliability and optical locking indication (red/green)
- > Stainless steel design on request

### Technical data

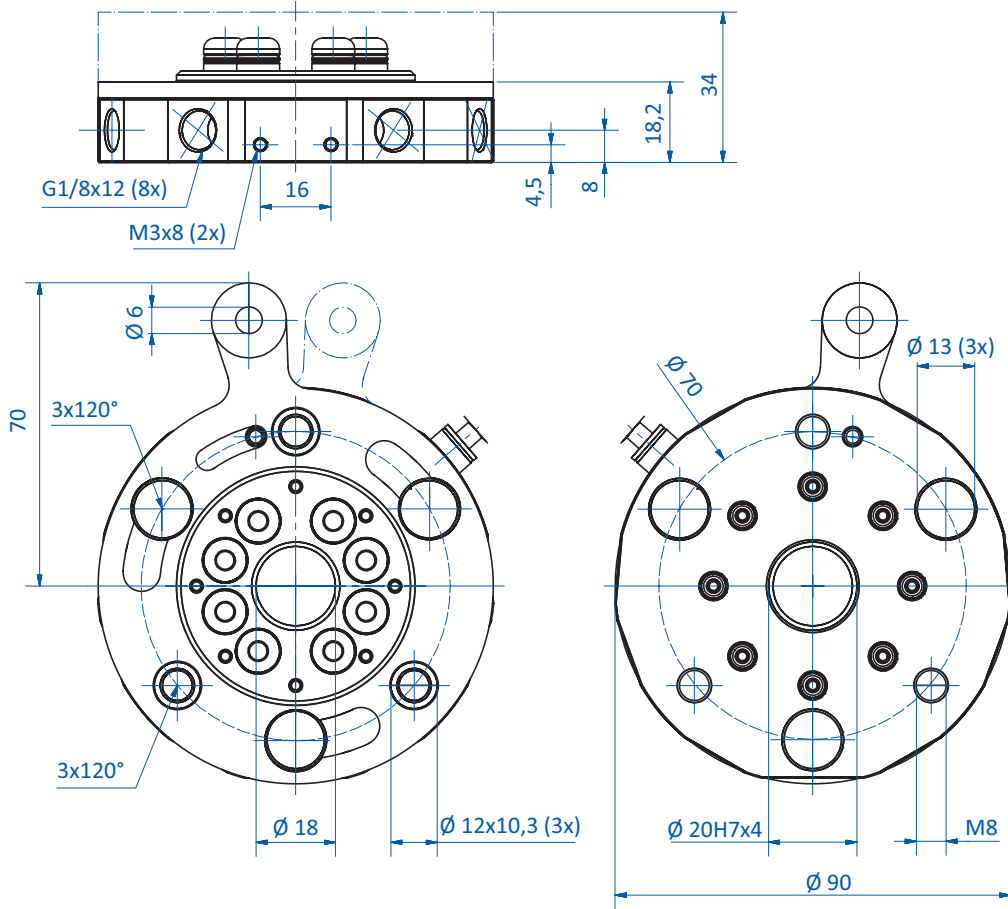
Item no.	SR90-A	SR90-A-MV	SR90-A-SL	SR90-A-SL-MV
Lifting force [N]	400	400	400	400
Number of pneumatic connections	8xG1/8	8xG1/8	8xG1/8	8xG1/8
Working pressure [bar (psi)]	0 - 6 (0 - 87)	0 - 6 (0 - 87)	0 - 6 (0 - 87)	0 - 6 (0 - 87)
Max. torque [Nm]	100	100	100	100
Max. bending moment [Nm]	60	60	60	60
Repeat accuracy [mm]	+/- 0.025	+/- 0.025	+/- 0.025	+/- 0.025
Micro valves	--	integrated	--	integrated
Snap-on	--	--	SAFE-LOCK for secure locking	SAFE-LOCK for secure locking
Weight [g]	320	320	320	320
Accessories	Electrical connectors: 20.536 (p.38) Spare part kit: KIT-SR90	Electrical connectors: 20.536 (p.38) Spare part kit: KIT-SR90	Electrical connectors: 20.535 (p.38) Spare part kit: KIT-SR90	Electrical connectors: 20.535 (p.38) Spare part kit: KIT-SR90

### Display of optical locking indication SAFE-LOCK





Dimensions



SR90-A | SR90-A-MV

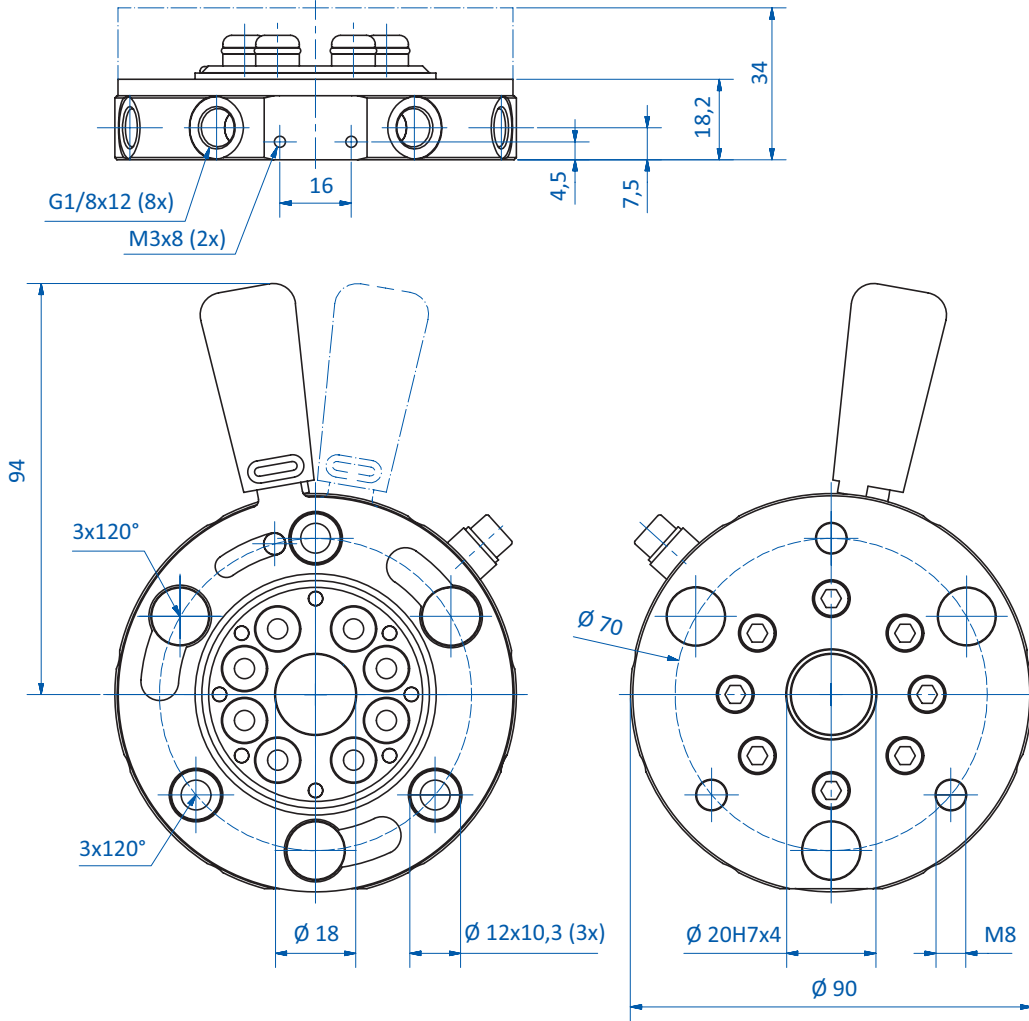
Continued on the next page →



# Quick-change systems | SR Series

Round quick-changers  $\varnothing 90$  mm, 8 air inlets – robot side

## Dimensions

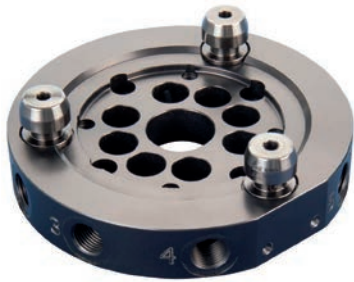


SR90-A-SL | SR90-A-SL-MV





## Round quick-changers $\varnothing$ 90 mm, 8 air inlets – gripper side



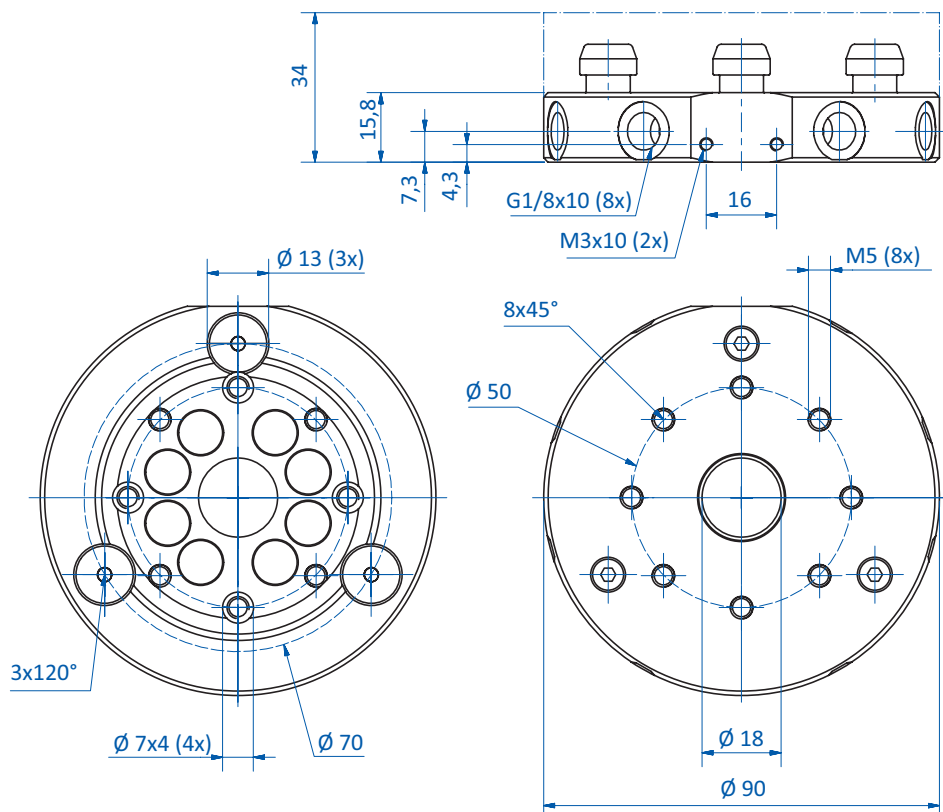
### Product notes

- > Manual interface between robot and gripper system
- > Air connections always correctly aligned
- > Body made of anodized aluminum alloy
- > Stainless steel design on request

### Technical data

<b>Item no.</b>	<b>SR90-B</b>
<b>Lifting force [N]</b>	400
<b>Number of pneumatic connections</b>	8xG1/8
<b>Working pressure [bar (psi)]</b>	0 - 6 (0 - 87)
<b>Max. torque [Nm]</b>	100
<b>Max. bending moment [Nm]</b>	60
<b>Repeat accuracy [mm]</b>	+/- 0.025
<b>Weight [g]</b>	220
<b>Suitable electrical connectors</b>	20.536 (p.38)

### Dimensions





# Quick-change systems | SR Series

Round quick-changers  $\varnothing$  150 mm, 10 air inlets – robot side

## Round quick-changers $\varnothing$ 150 mm, 10 air inlets – robot side



SR150-A

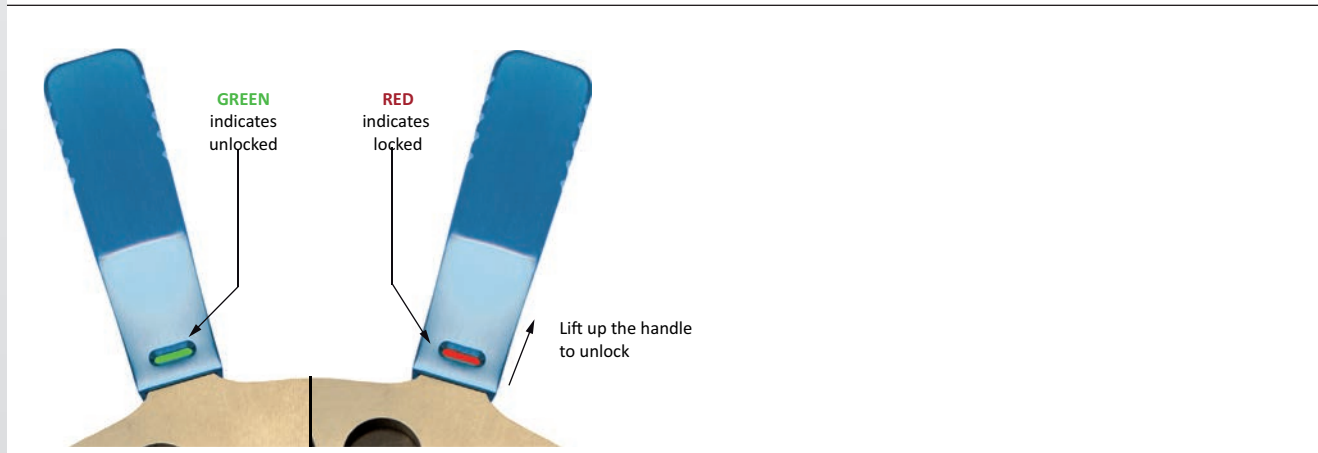
### Product notes

- > Manual interface between robot and gripper system
- > Air connections always correctly aligned
- > Body made of anodized aluminum alloy
- > Model SL with secure SAFE-LOCK ensures maximum functional reliability and optical locking indication (red/green)
- > Stainless steel design on request

### Technical data

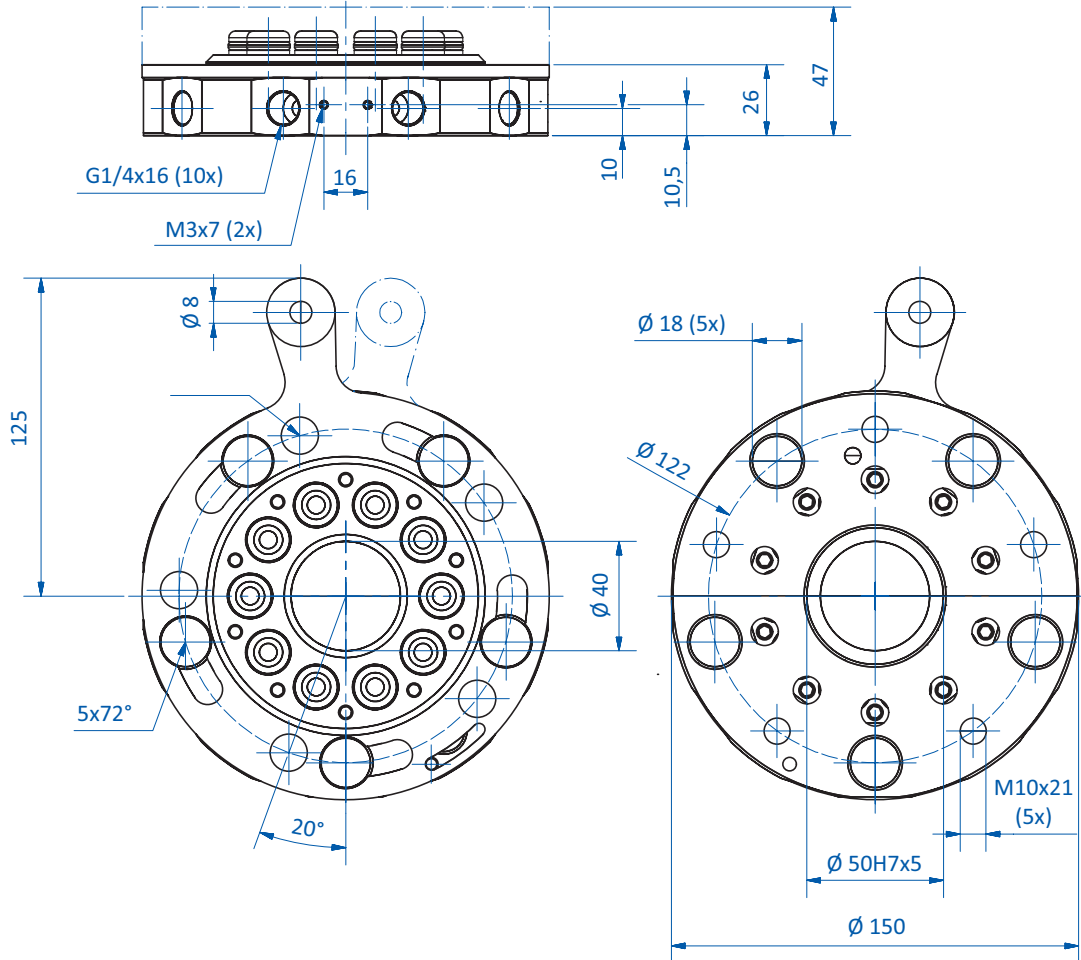
Item no.	SR150-A	SR150-A-SL
Lifting force [N]	1,000	1,000
Number of pneumatic connections	10xG1/4	10xG1/4
Working pressure [bar (psi)]	0 - 6 (0 - 87)	0 - 6 (0 - 87)
Max. torque [Nm]	250	250
Max. bending moment [Nm]	100	100
Repeat accuracy [mm]	+/- 0.025	+/- 0.025
Micro valves	--	--
Snap-on	--	SAFE-LOCK for secure locking
Weight [g]	1,190	1,190
Accessories	Electrical connectors: 20.535 (p.38) Spare part kit: KIT-SR150	Electrical connectors: 20.535 (p.38) Spare part kit: KIT-SR150

### Display of optical locking indication SAFE-LOCK





Dimensions



SR150-A

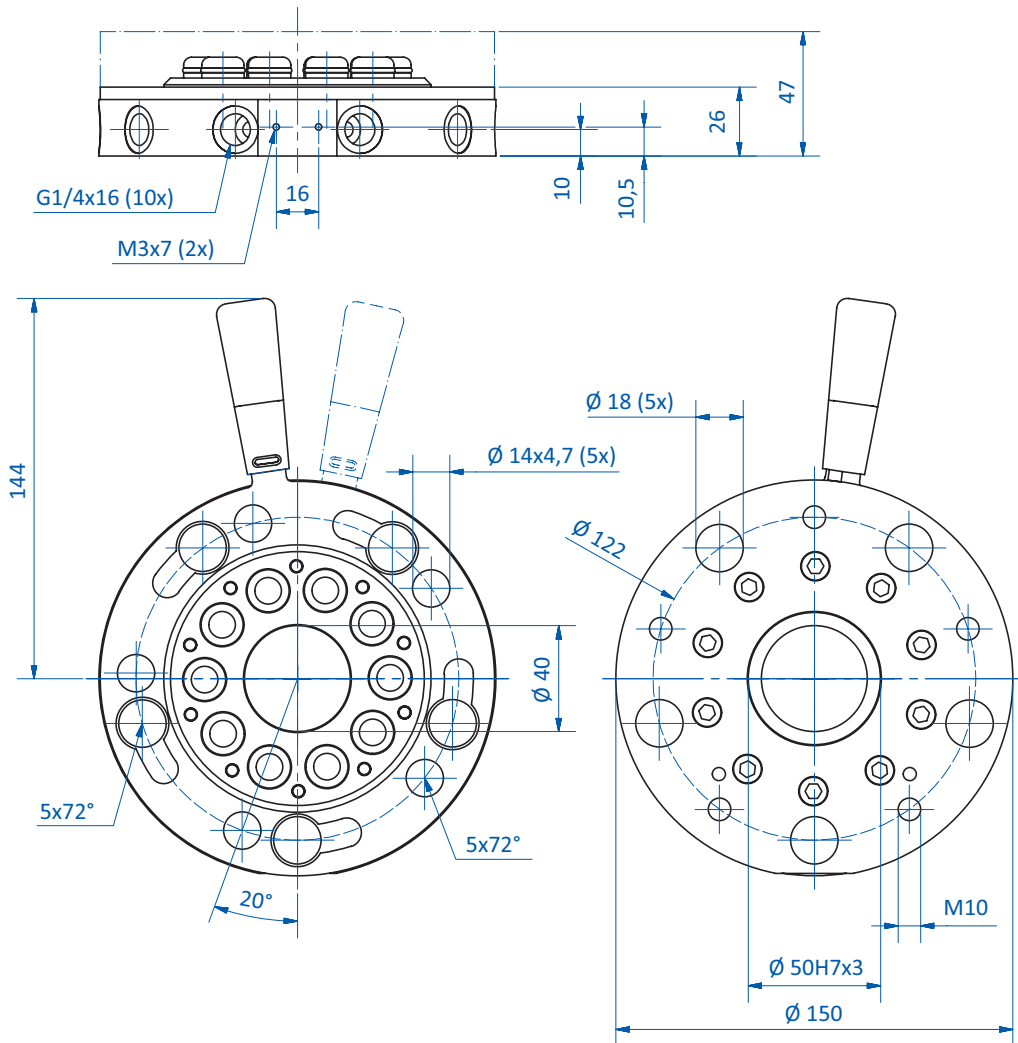
Continued on the next page →



# Quick-change systems | SR Series

Round quick-changers  $\varnothing$  150 mm, 10 air inlets – robot side

## Dimensions



SR150-A-SL



## Round quick-changers $\varnothing$ 150 mm, 10 air inlets – gripper side



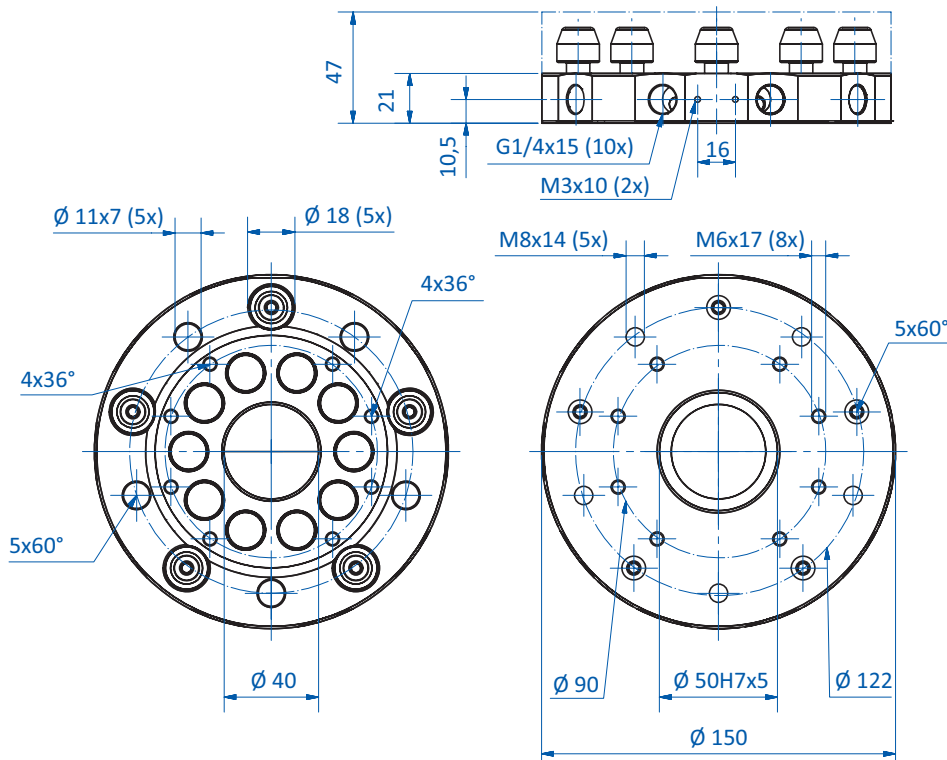
### Product notes

- > Manual interface between robot and gripper system
- > Air connections always correctly aligned
- > Body made of anodized aluminum alloy
- > Stainless steel design on request

### Technical data

<b>Item no.</b>	<b>SR150-B</b>
Lifting force [N]	1,000
Number of pneumatic connections	10xG1/8
Working pressure [bar (psi)]	0 - 6 (0 - 87)
Max. torque [Nm]	250
Max. bending moment [Nm]	100
Repeat accuracy [mm]	+/- 0.025
Weight [g]	850
Suitable electrical connectors	20.536 (p.38)

### Dimensions





### Adapter plates for round quick-changers – gripper side



SR150-C



GR05.102

#### Product notes

- > Adapter plates for mounting SLine or MLine extrusions to SR Series round quick-changers
- > GR05.100, GR05.101, GR05.102: for SEPRO quick-changers
- > Slot nuts and mounting screws included in scope of delivery
- > Suitable for third-party systems

#### Technical data

Item no.	Weight [g]	Suitable quick-change systems
SR50-C	107	SR50-A (p.20), SR50-B (p.23)
SR90-C	117	SR90-A (p.24), SR90-B (p.27)
SR150-C	227	SR150-A (p.28), SR150-B (p.31)
GR05.100	236	SEPRO AM02S0716605
GR05.101	272	SEPRO BP 90
GR05.102	400	SEPRO BP 120

#### Robot adapter plates SR Series



SR50-C



SR90-C



SR150-C

#### Robot adapter plates SEPRO



GR05.100



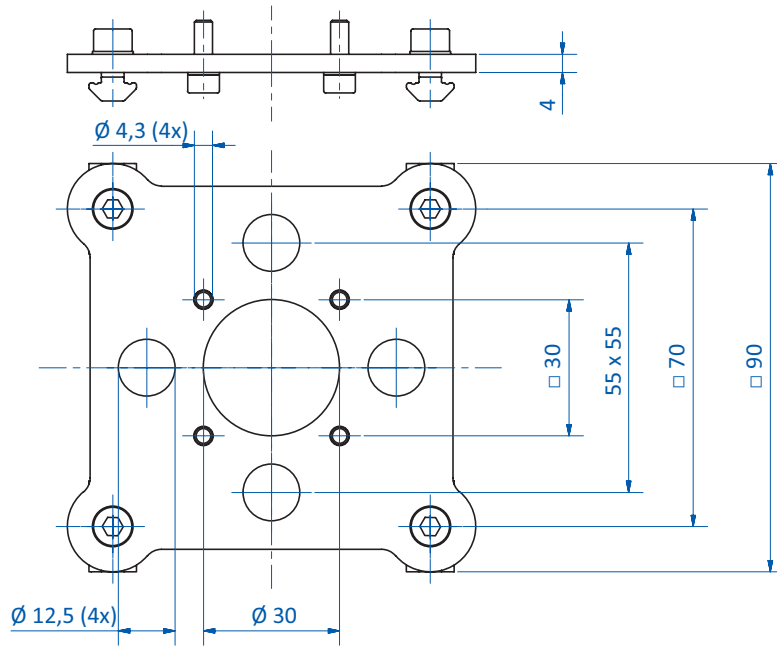
GR05.101



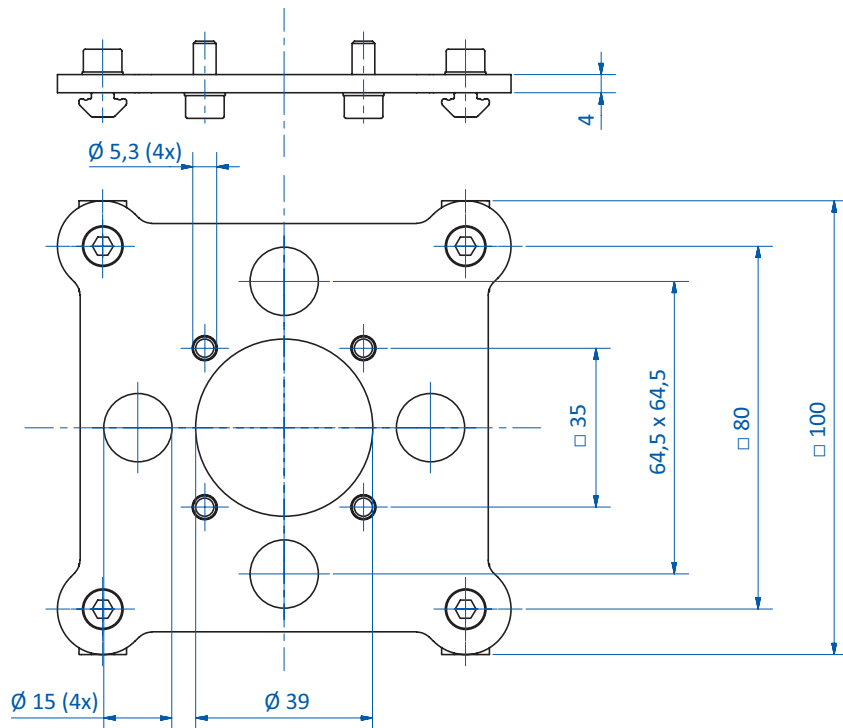
GR05.102



Dimensions



SR50-C

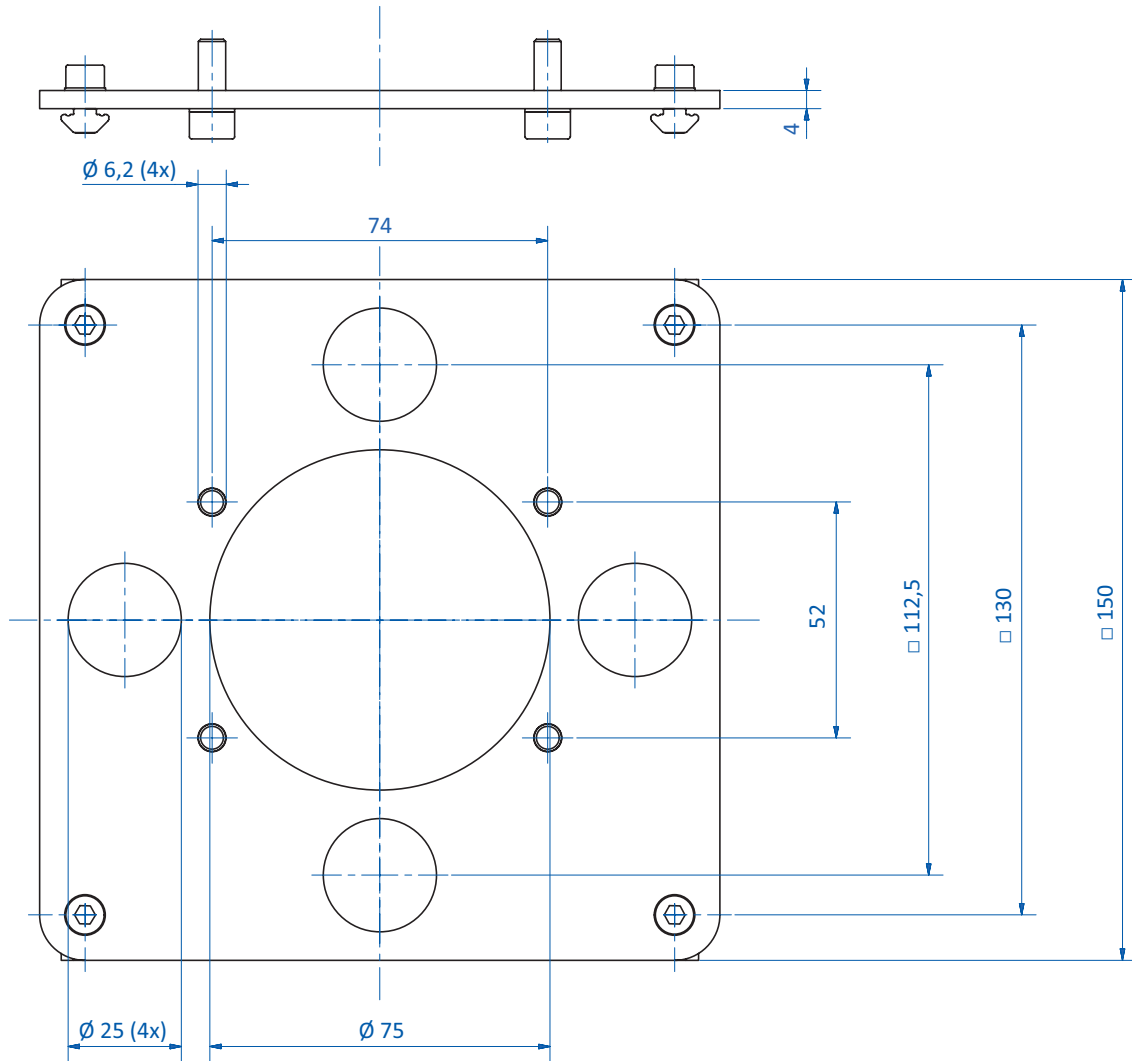


SR90-C

Continued on the next page →



### Dimensions

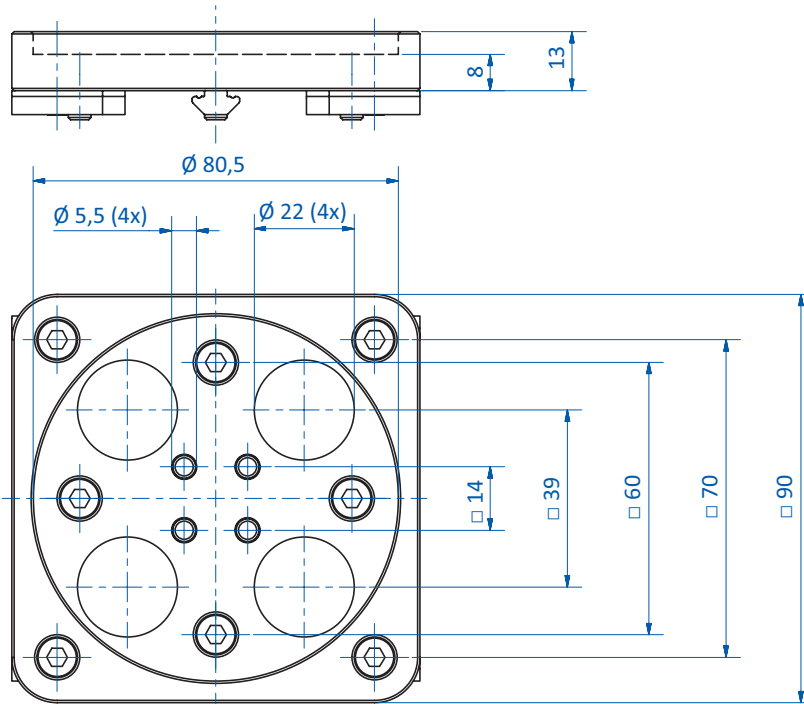


SR150-C

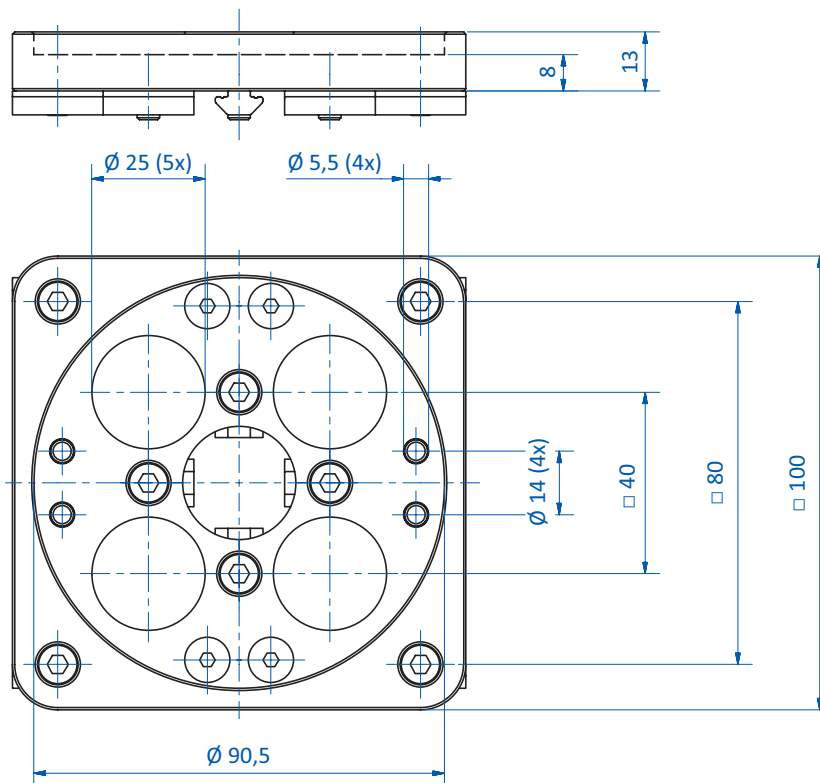




Dimensions



GR05.100

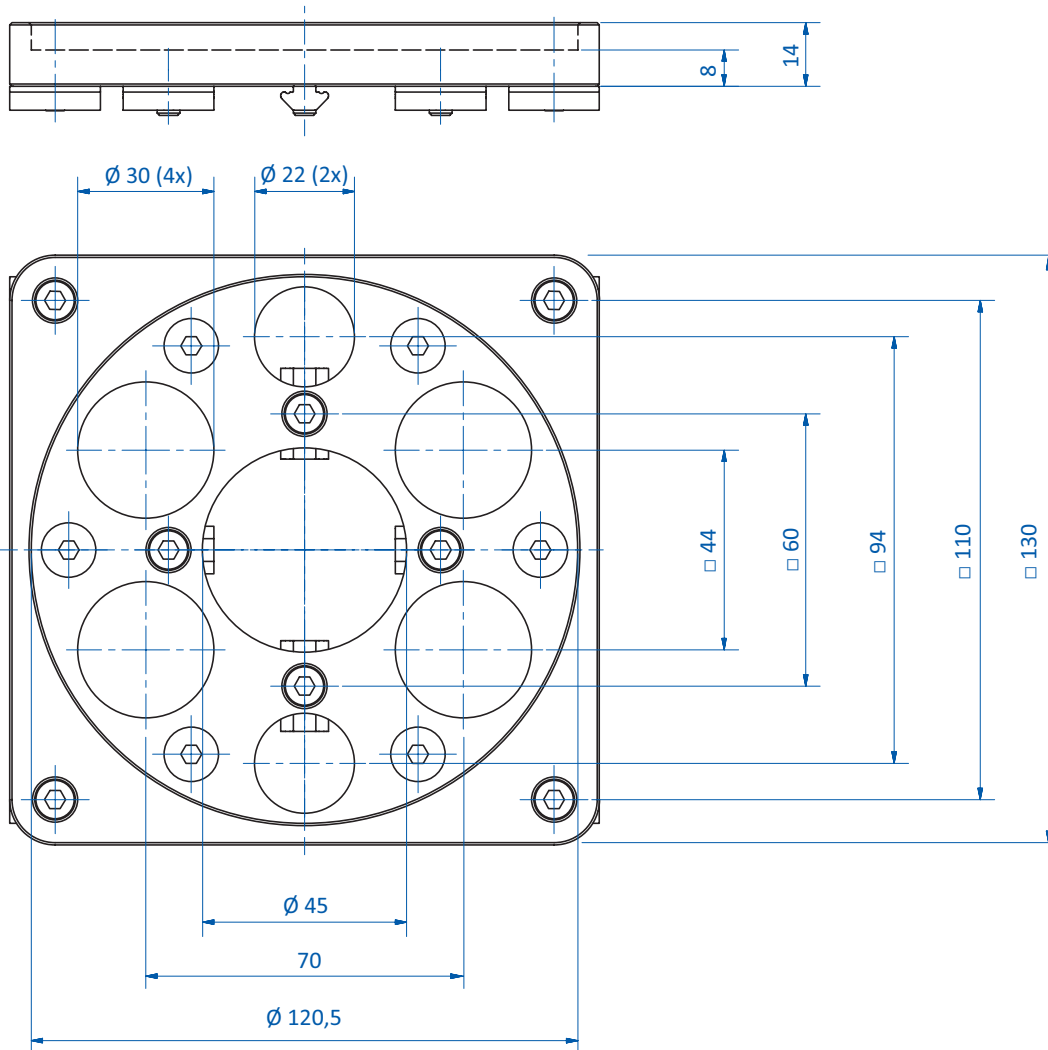


GR05.101

Continued on the next page →



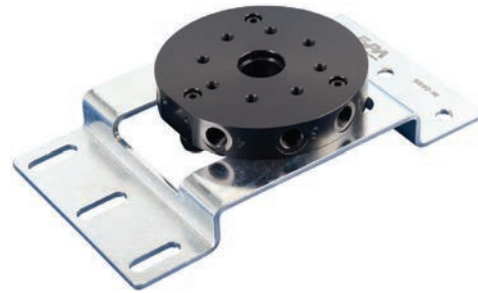
### Dimensions



GR05.102



### Wall bracket for gripper systems with round base plate



Application example with quick-changer

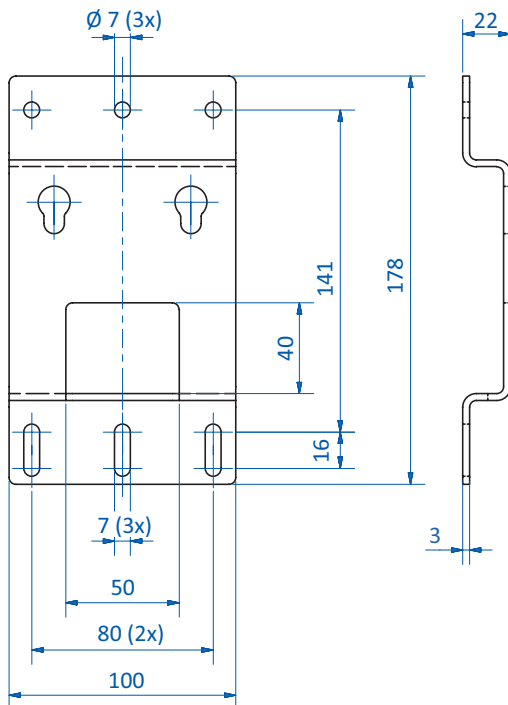
#### Product notes

- > Efficient and safe storage of EOAT with SR Series round quick-changers
- > Suitable for third-party round gripper systems

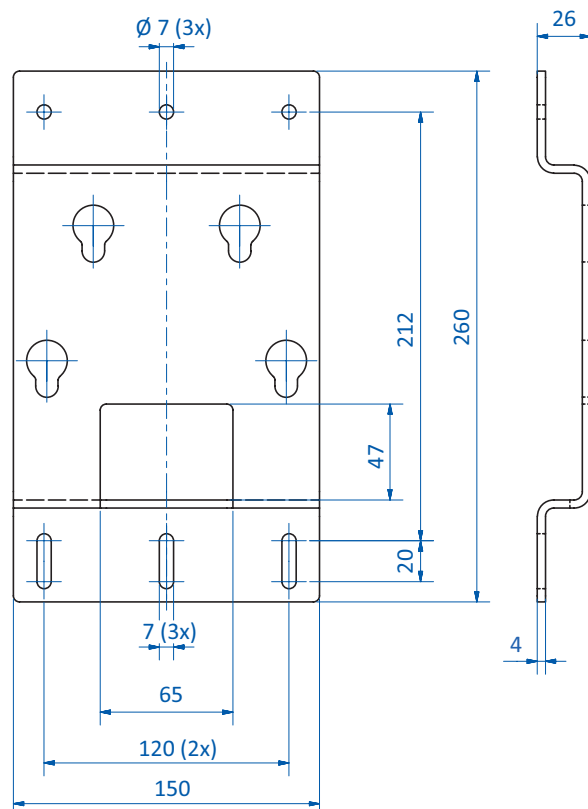
#### Technical data

Item no.	Weight [g]	Suitable quick-change systems
SR90-W	600	SR90-B (p.27)
SR150-W	1,200	SR150-B (p.31)

#### Dimensions



SR90-W



SR150-W



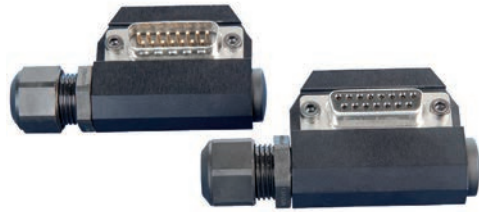
# Quick-change systems | Accessories – SR Series

Electric plug connectors for SR50, SR90 and SR150

## Electric plug connectors for SR50, SR90 and SR150



Robot side 20.537 | Gripper side 20.538



Robot side 20.535 | Gripper side 20.536

### Product notes

- > Electrical interface between robot and gripper
- > 15 pin SUB-D plug
- > Max. cable cross section 0.14 mm<sup>2</sup> based on 16 - 18-wire cable

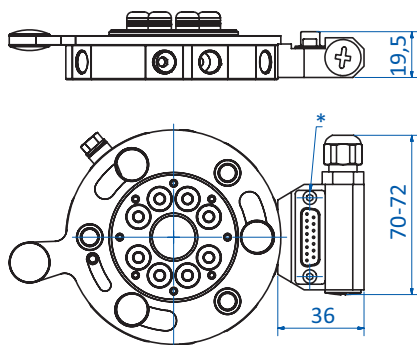
### Technical data

Item no.	Suitable quick-change systems	Plug Design	Number of Pins	Operating voltage [VDC]	Power consumption [W]	Weight [g]	Suitable plug
20.535	SR90-A, SR150-A, SR90-A-SL, SR150-A-SL	male	15	24	0.5	42	20.505
20.536	SR90-B, SR150-B	female	15	24	0.5	41	20.505
20.537	SR50-A, SR50-A-SL, SR50-A-MV, SR50-A-SL-MV	male	9	24	0.5	42	20.505
20.538	SR50-B	female	9	24	0.5	41	20.505

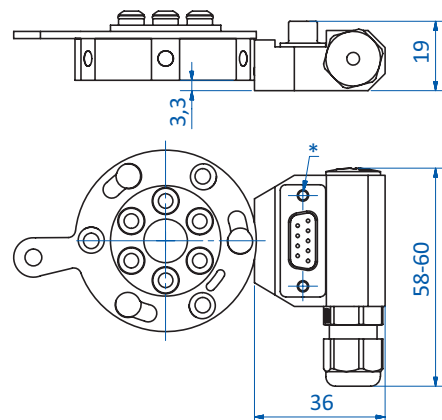
### SR Series with electric connectors



### Dimensions



20.535 | 20.536



20.537 | 20.538

\* = Remove plug connection for cable installation



### Quick-change systems rectangle, robot side

COMPATIBLE WITH STAR SYSTEMS



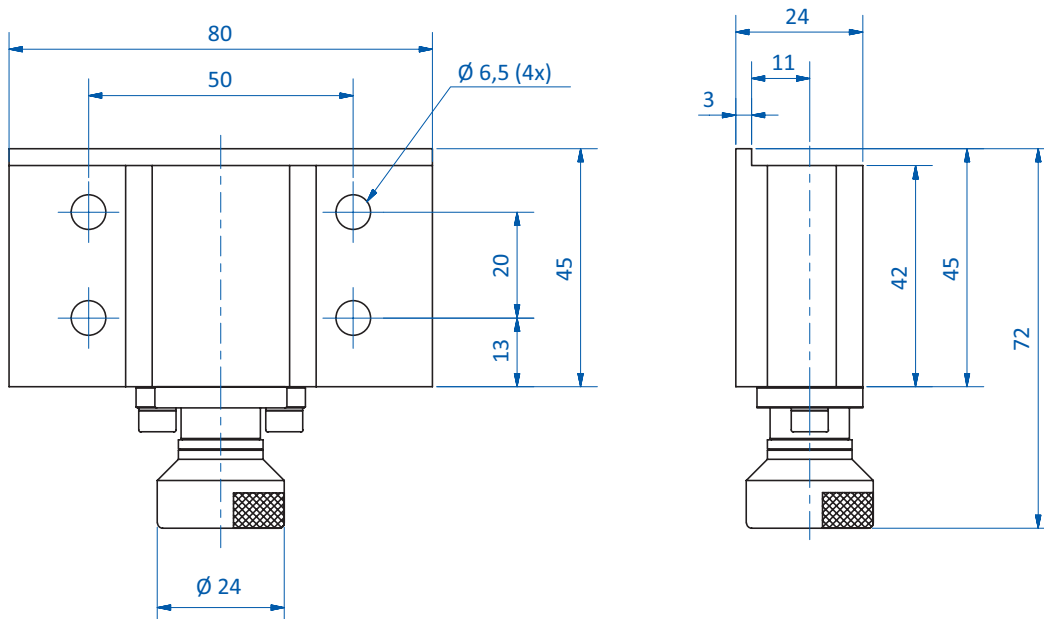
#### Product notes

- > Manual interface between robot and gripper system
- > Minimized downtime due to fast gripper change
- > Gripper side not included in scope of delivery

#### Technical data

Item no.	Lifting force [N]	Weight [g]	Suitable gripper side
GR05.121	150	168	GR05.122 (p.40)

#### Dimensions





# Quick-change systems | R Series

Quick-change systems rectangle, gripper side

## Quick-change systems rectangle, gripper side

COMPATIBLE WITH STAR SYSTEMS



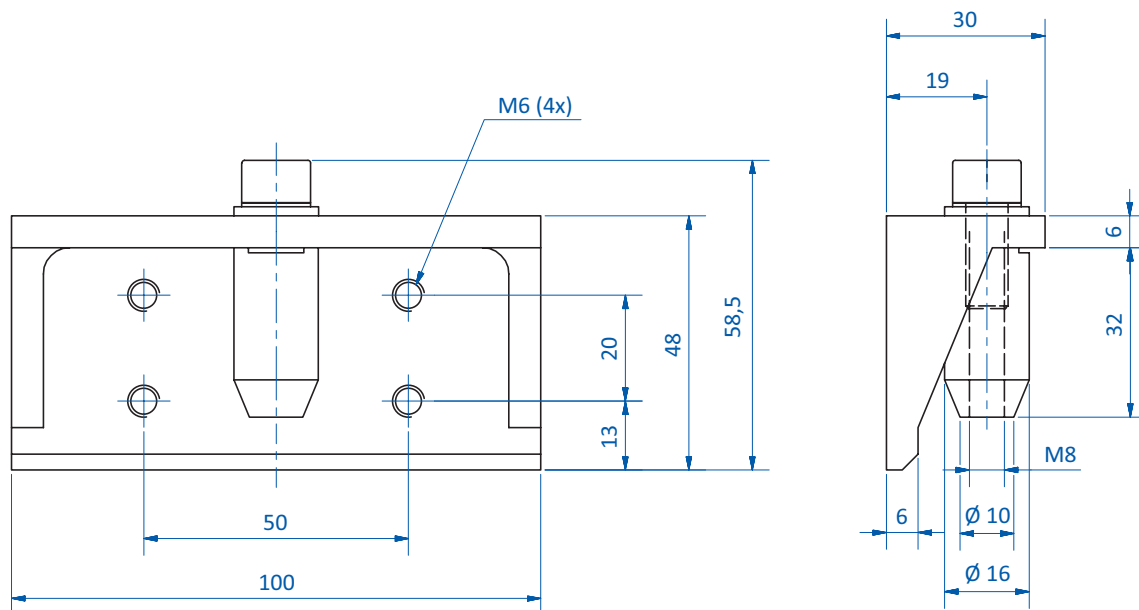
### Product notes

- > Manual interface between robot and gripper system
- > Minimized downtime due to fast gripper change
- > Robot side not included in scope of delivery

### Technical data

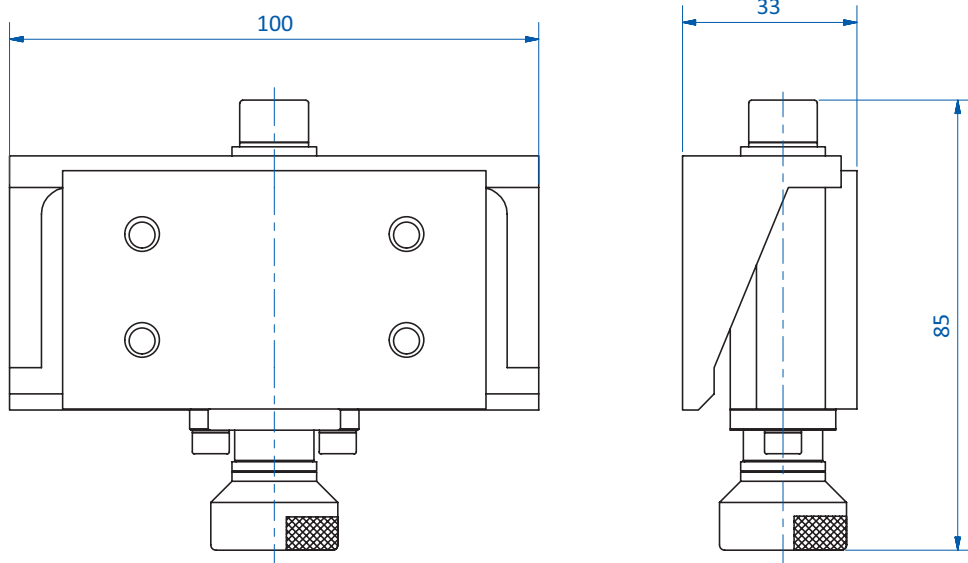
Item no.	Lifting force [N]	Weight [g]	Suitable robot side
GR05.122	150	171	GR05.121 (p.39)

### Dimensions





Dimensions for quick-change system robot side incl. gripper side





### Automatic quick-change systems



Robot side: ASR60-A



Gripper side: ASR48-B

### Product notes

- > Fast exchange of EOAT on robots via automatic compressed air disconnection, minimizes set-up time
- > Secure locking system with guide pins compensates positional deviations during coupling
- > Electronic connector for signal transmitting see accessories

### Technical data

Item no.	ASR48-A	ASR48-B	ASR60-A	ASR60-B
Lifting force [N]	50	50	200	200
Number of pneumatic connections	8xM5	6xM5	4xM5	4xM5
Working pressure [bar (psi)]	0 - 10 (0 - 145)	0 - 10 (0 - 145)	0 - 10 (0 - 145)	0 - 10 (0 - 145)
Max. torque [Nm]	40	40	150	150
Max. bending moment [Nm]	40	40	158	158
Repeat accuracy [mm]	< 0.01	< 0.01	< 0.01	< 0.01
Operating pressure [bar (psi)]	6 - 10 (87 - 145)	6 - 10 (87 - 145)	6 - 10 (87 - 145)	6 - 10 (87 - 145)
Operating temperature [°C (°F)]	10 - 60 (50 - 140)	10 - 60 (50 - 140)	10 - 60 (50 - 140)	10 - 60 (50 - 140)
Weight [g]	200	50	400	110
Suitable plug connectors	ASR48-A-ME (p.45)	ASR48-B-ME (p.45)	ASR60-A-ME (p.45)	ASR60-B-ME (p.45)

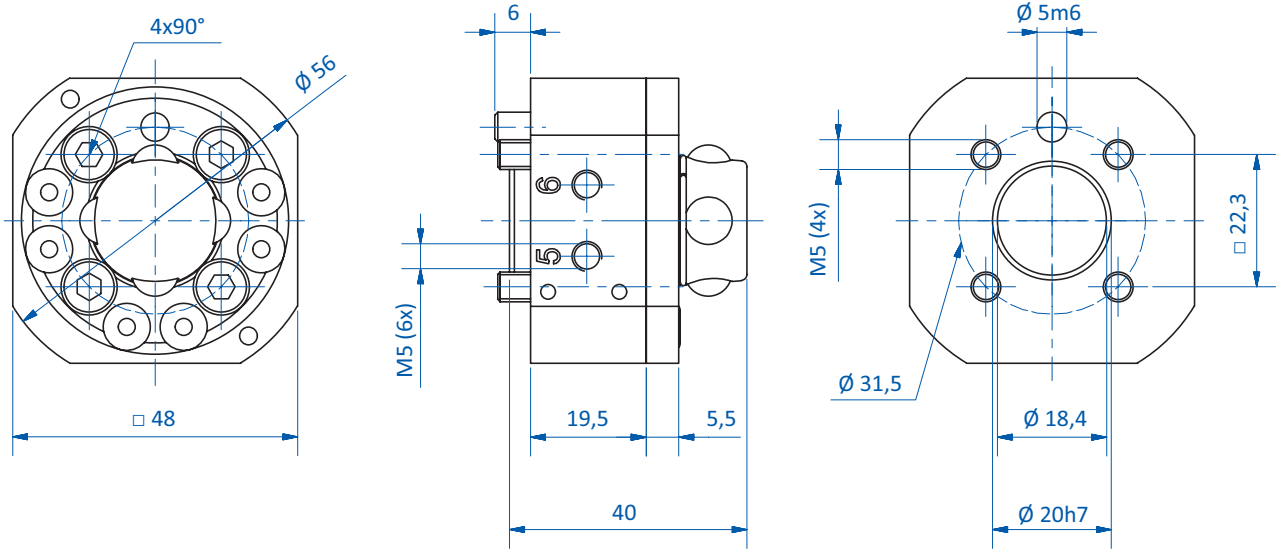
### Application example



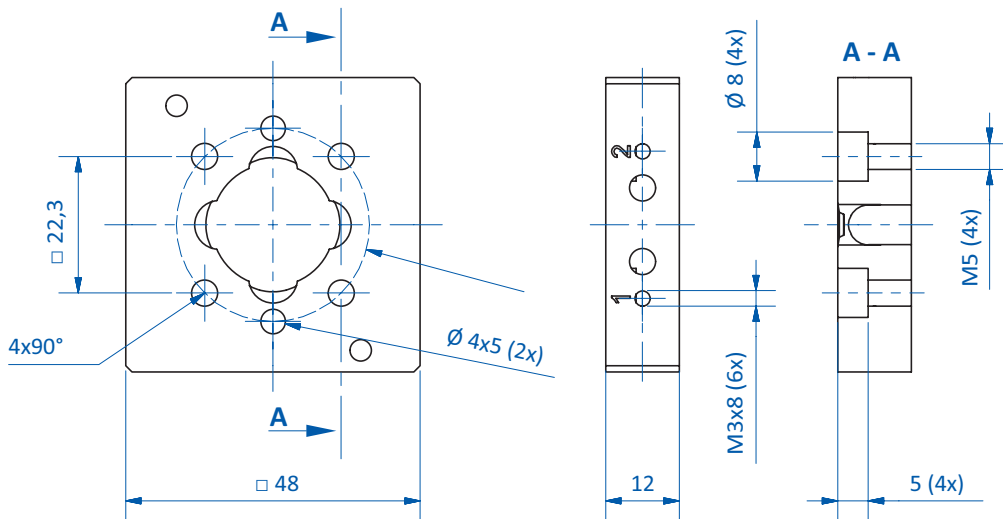




Dimensions



ASR48-A

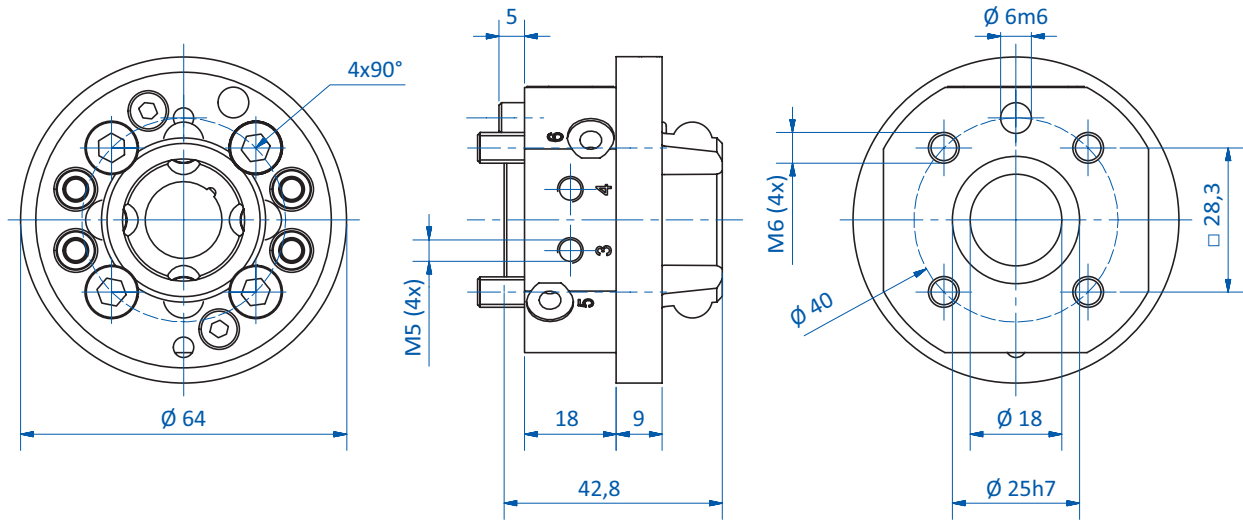


ASR48-B

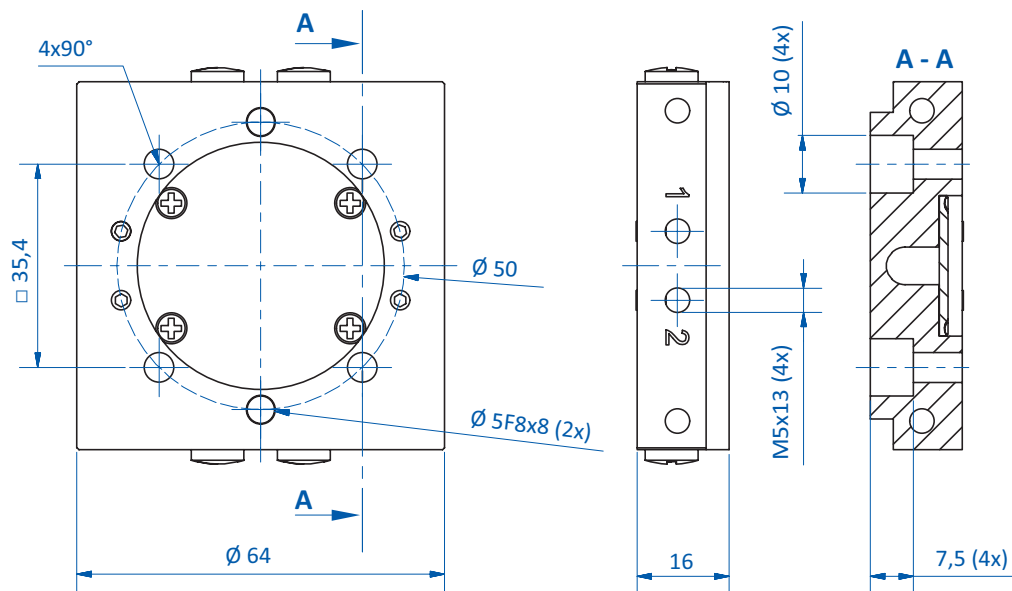
Continued on the next page →



### Dimensions



ASR60-A



ASR60-B



## Electronic connectors for automatic quick-changers



Display with quick-change system – robot side



Display with quick-change system – gripper side

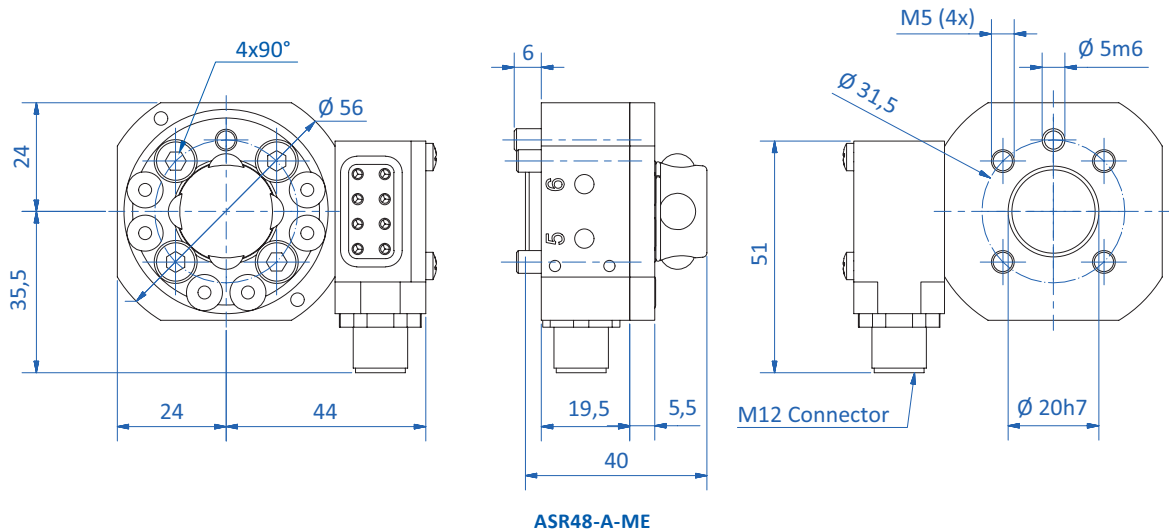
### Product notes

- > Electronic modules for transmitting up to eight signals
- > Automatic electrical connection via spring loaded pins

### Technical data

Item no.	Max. operating voltage [V]	Number of electrical channels	Max. current consumption [A]	Connection	Operating temperature [°C (°F)]	Weight [g]
ASR48-A-ME	60	8	2	M12	10 - 60 (50 - 140)	50
ASR48-B-ME	60	8	2	M12	10 - 60 (50 - 140)	20
ASR60-A-ME	60	8	2	M12	10 - 60 (50 - 140)	50
ASR60-B-ME	60	8	2	M12	10 - 60 (50 - 140)	20

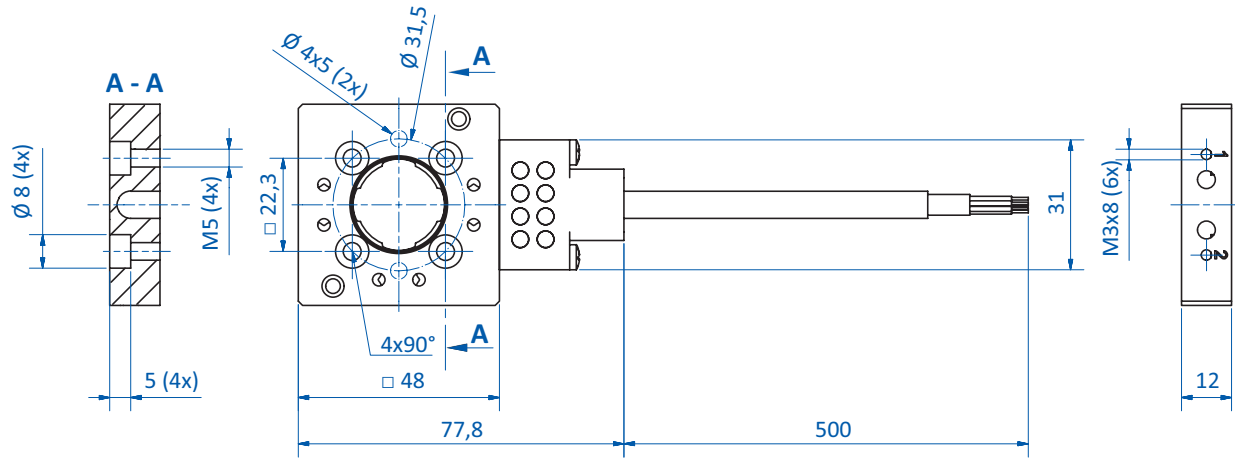
### Dimensions



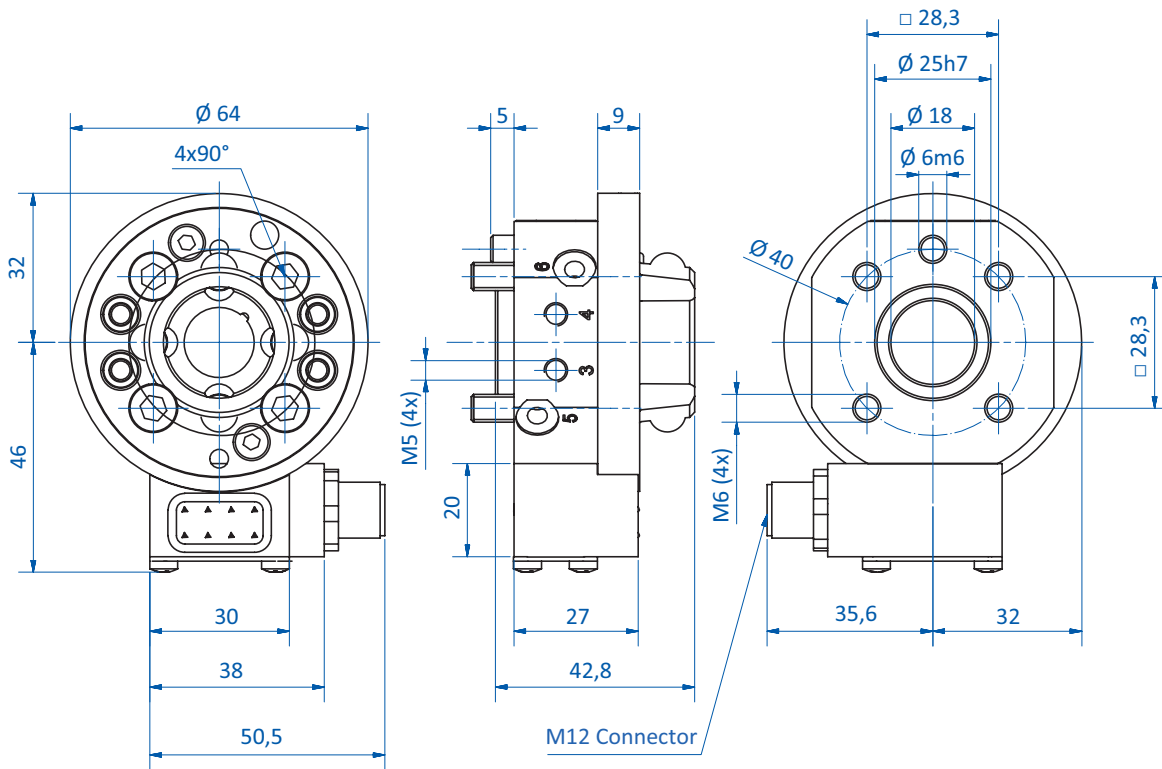
Continued on the next page →



## Dimensions



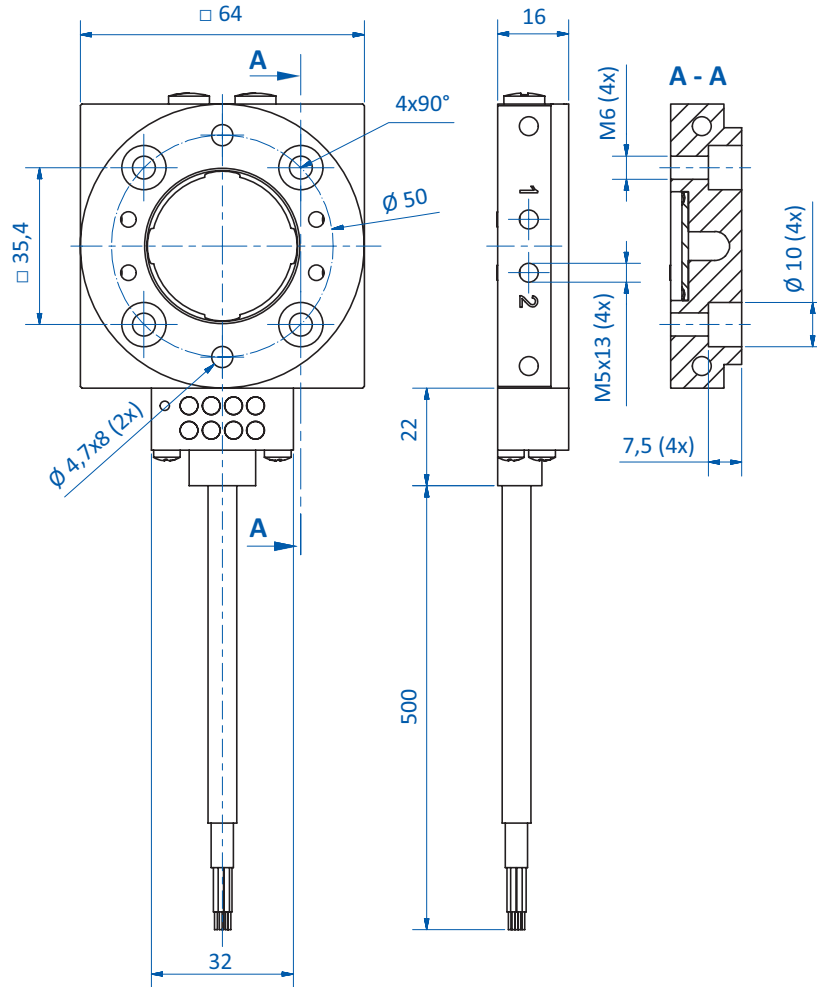
ASR48-B-ME



ASR60-A-ME



Dimensions



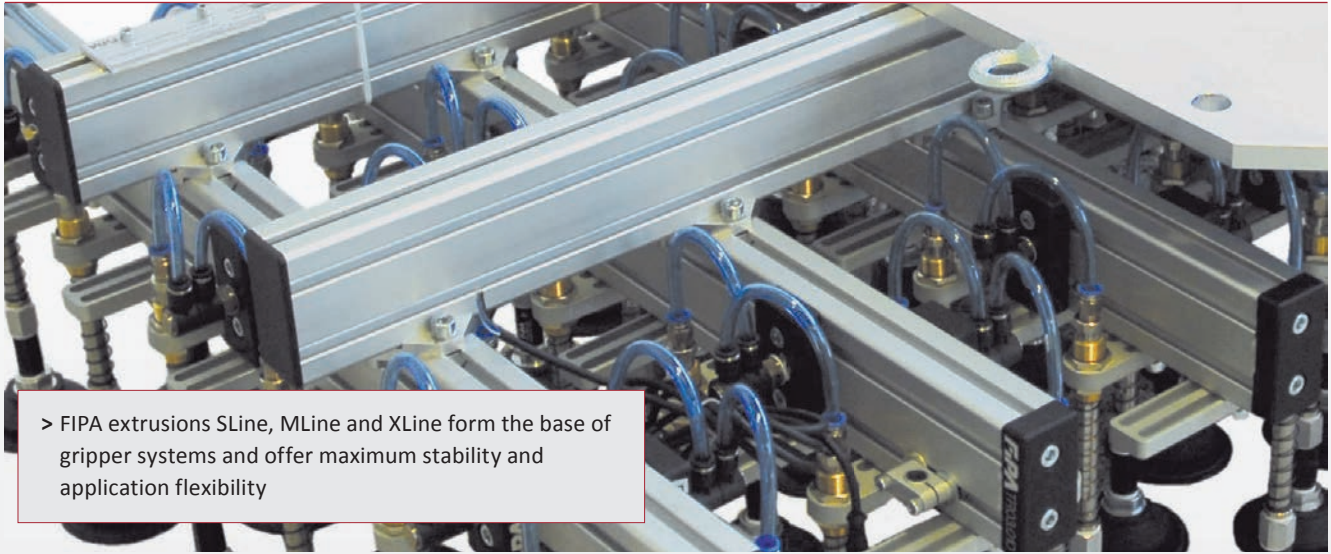
ASR60-B-ME



Extrusion systems at a glance .....	50
Extrusions .....	52
Slot nuts .....	58
Connectors .....	64
Clamps for shafts .....	78
Mounting of vacuum cups .....	91
Air manifolds .....	96
Special elements .....	99
Accessories .....	102



## FIPA Extrusions



> FIPA extrusions SLine, MLine and XLine form the base of gripper systems and offer maximum stability and application flexibility



### SLine and MLine

- > Base for grippers with spans up to 1 m and loads up to approx. 5 kg
- > Stable and lightweight
- > See page 52



### XLine

- > Base for grippers with spans exceeding 1 m and loading capacity exceeding 5 kg
- > Torsionally rigid for maximum stability even with high loads
- > See page 55



### Angle clamps

- > Integration of gripper elements or vacuum cups
- > Clamping diameters 10, 14, 20 and 30 mm
- > Fits to extrusions from FIPA as well as third-party products



### Profile connectors

- > Angle variable, rigid connection of two extrusions



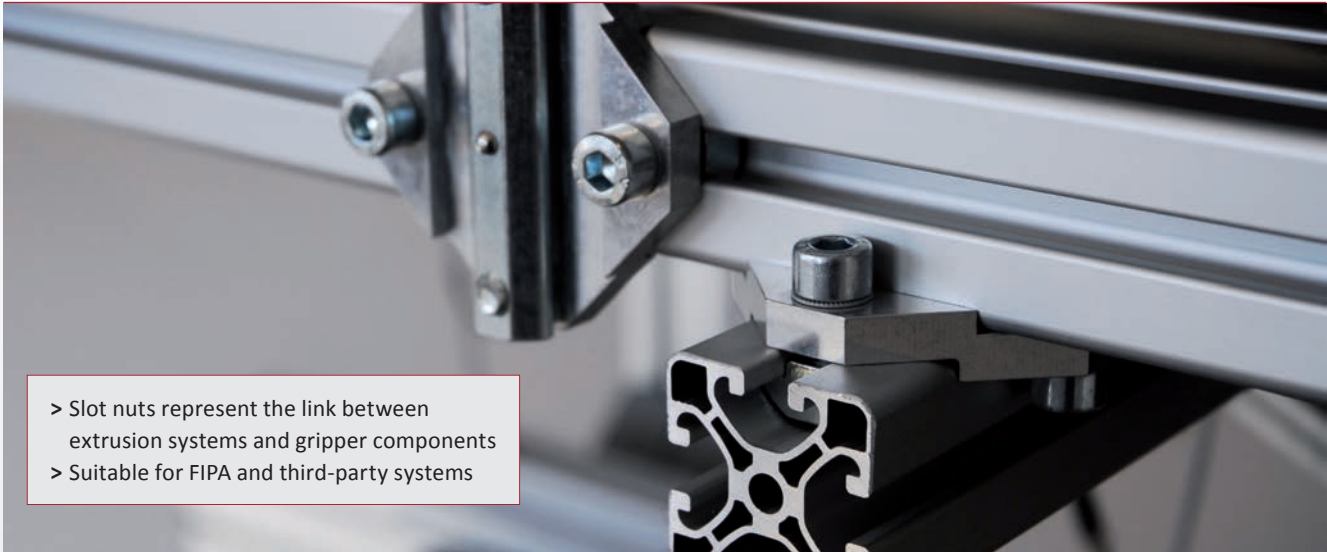
### Clamping screws

- > Internal and external hex bits for easy assembly even in restricted spaces





FIPA Slot nuts



- > Slot nuts represent the link between extrusion systems and gripper components
- > Suitable for FIPA and third-party systems



**Threaded slot nuts – universal**

- > For inserting into the extrusion groove
  - > Suitable for extrusion systems SLine, MLine and XLine as well as third-party products
  - > Existing components from other suppliers can still be used
- > See page 58



**Threaded slot nuts – swivel-in**

- > Slot nuts can be rotated in or out even after the assembly of the gripper system
  - > Quick and flexible extension and adaption of gripper systems without disassembly
- > See page 62



**Installation examples**

- > Using the same universal slot nut in FIPA and third-party extrusions
- > Example with third-party extrusions 25 x 25 mm



- > Example with FIPA SLine 20 x 20 mm



### SLine extrusions



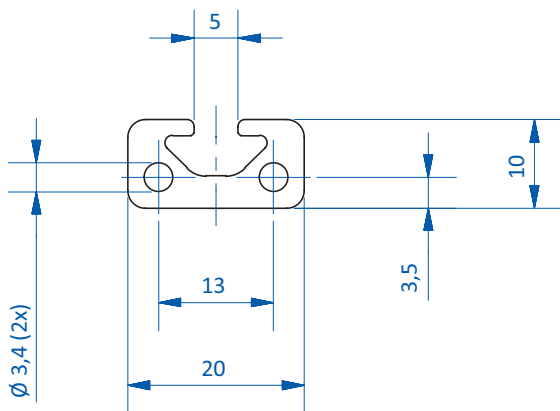
#### Product notes

- > Lightweight and rigid
- > Material: AlMgSi 0.5 F25
- > Special lengths over 2,000 mm on request

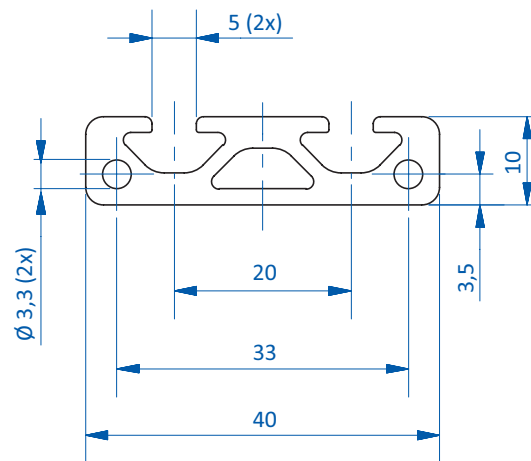
#### Technical data

Item no.	Length [mm]	Weight [kg/m]	Cross-section area [cm <sup>2</sup> ]	Moment of plane area axial Ix [cm <sup>4</sup> ]	Moment of plane area axial Iy [cm <sup>4</sup> ]	Moment of resistance axial Wx [cm <sup>3</sup> ]	Moment of resistance axial Wy [cm <sup>3</sup> ]	Suitable end caps
GR01.001.2000	1,960	0.35	1.28	0.12	0.53	0.22	0.53	GR01.010 (p.57)
GR01.002.2000	1,960	0.63	2.34	0.24	3.59	0.45	1.8	GR01.011 (p.57)
GR01.003.2000	1,960	0.48	1.8	0.74	0.74	0.74	0.74	GR01.012 (p.57)
GR01.004.2000	1,960	0.87	3.22	1.39	5.16	1.39	2.53	GR01.013 (p.57)
GR01.006.2000	1,960	1.67	6.06	2.68	35.8	2.68	8.95	GR01.015 (p.57)
GR01.007.2000	1,960	1.33	4.94	9.16	9.16	4.53	4.53	GR01.016 (p.57)

#### Dimensions



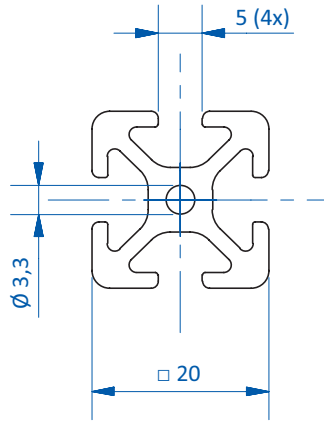
GR01.001.2000



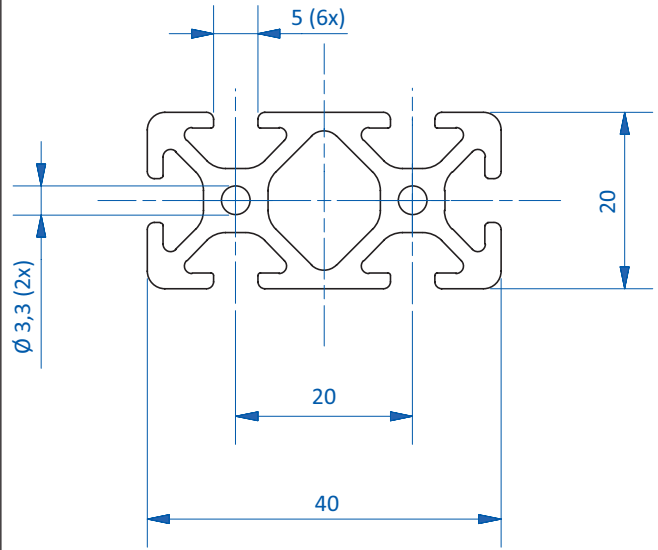
GR01.002.2000



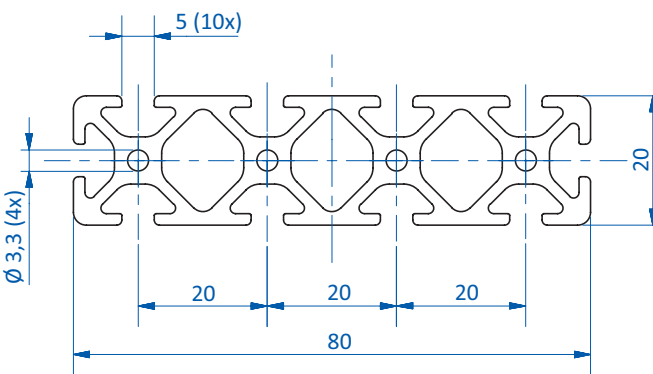
Dimensions



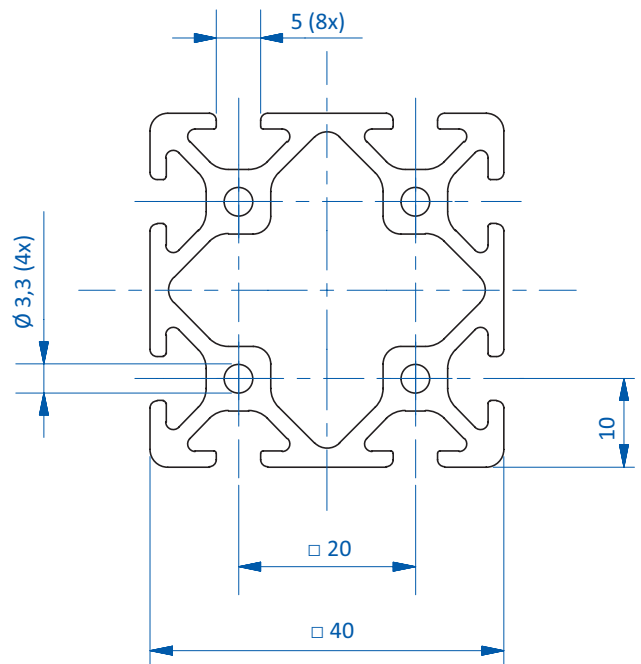
GR01.003.2000



GR01.004.2000



GR01.006.2000



GR01.007.2000



### MLine extrusions



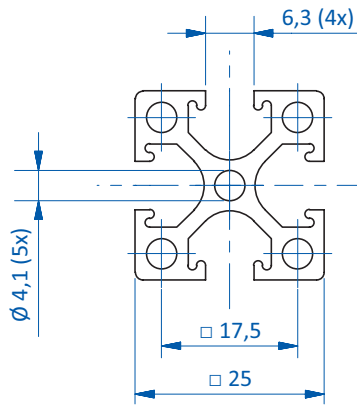
#### Product notes

- > Lightweight and rigid
- > Material: AlMgSi 0.5 F25
- > Special lengths over 2,000 mm on request

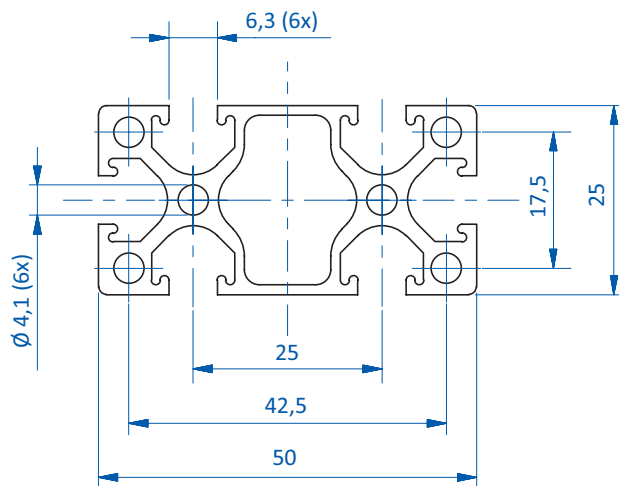
#### Technical data

Item no.	Length [mm]	Weight [kg/m]	Cross-section area [cm <sup>2</sup> ]	Moment of plane area axial Ix [cm <sup>4</sup> ]	Moment of plane area axial Iy [cm <sup>4</sup> ]	Moment of resistance axial Wx [cm <sup>3</sup> ]	Moment of resistance axial Wy [cm <sup>3</sup> ]	Suitable end caps
GR01.008.2000	1,960	0.61	2.48	1.58	1.58	1.26	1.26	GR01.017 (p.57)
GR01.009.2000	1,960	1.04	4.27	10.89	2.85	4.36	2.28	GR01.018 (p.57)

#### Dimensions



GR01.008.2000



GR01.009.2000



XLine extrusions



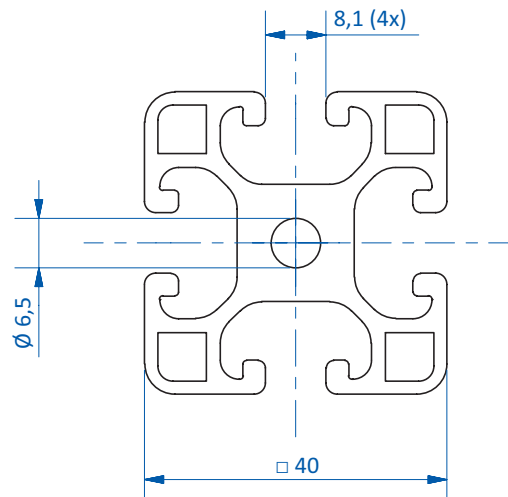
Product notes

- > High rigidity
- > Material: AlMgSi 0.5 F25
- > Special lengths over 2,000 mm on request

Technical data

Item no.	Length [mm]	Weight [kg/m]	Cross-section area [cm <sup>2</sup> ]	Moment of plane area axial Ix [cm <sup>4</sup> ]	Moment of plane area axial Iy [cm <sup>4</sup> ]	Moment of resistance axial Wx [cm <sup>3</sup> ]	Moment of resistance axial Wy [cm <sup>3</sup> ]	Suitable end caps
GR-XL01.003.2000	1,960	1.36	5.04	7.34	7.34	3.67	3.67	GR-XL01.012 (p.57)
GR-XL01.004.2000	1,960	2.37	8.73	14.7	57.7	7.37	14.4	GR-XL01.013 (p.57)
GR-XL01.005.2000	1,960	5.19	19.2	131	131	32.8	32.8	--

Dimensions

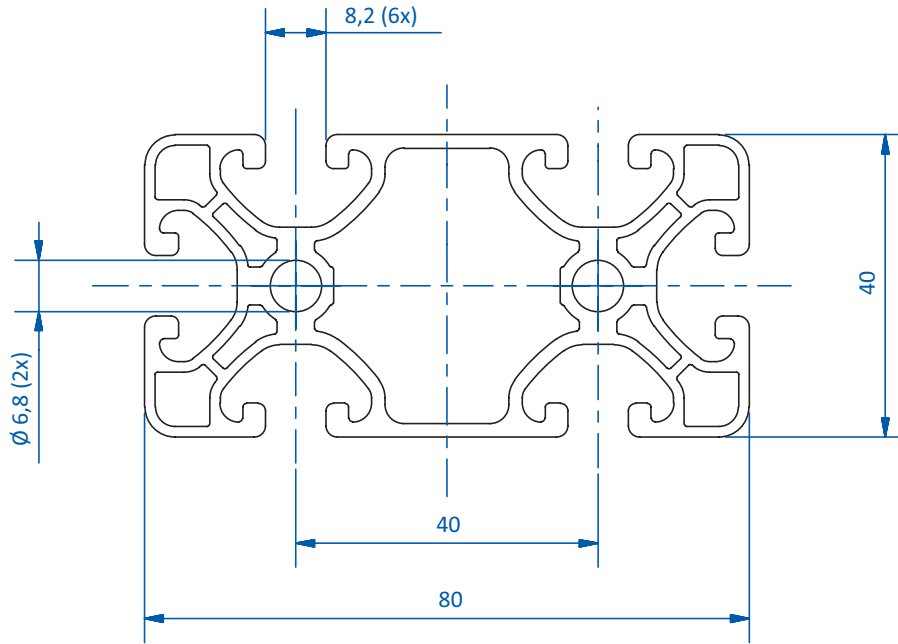


GR-XL01.003.2000

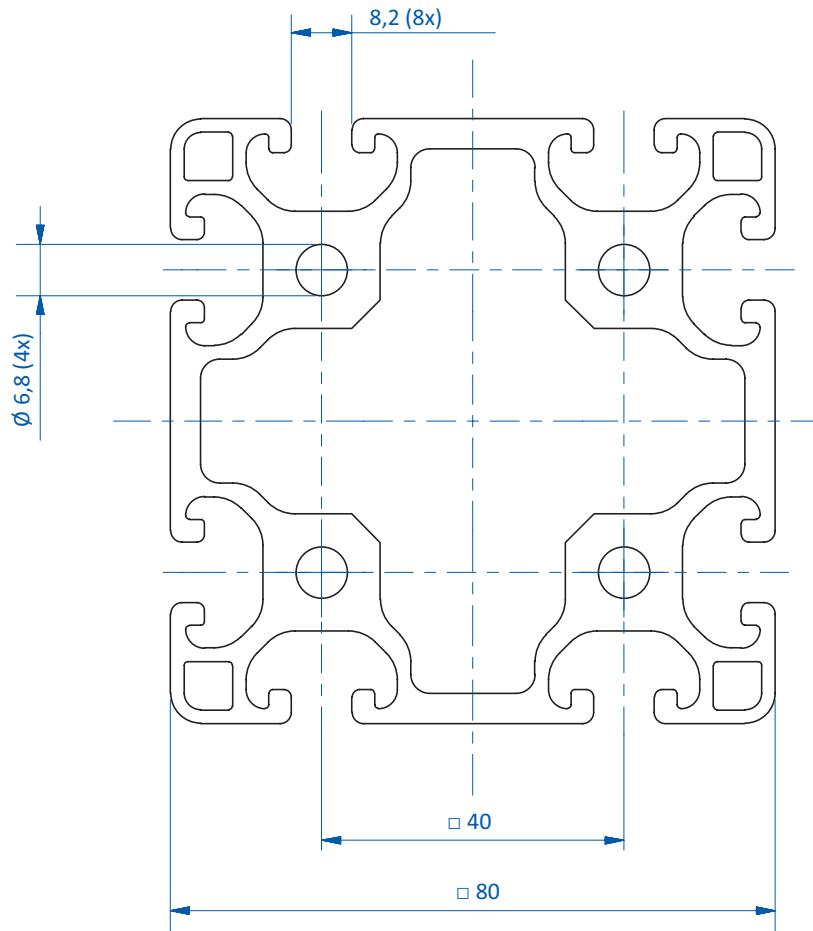
Continued on the next page →



Dimensions



GR-XL01.004.2000



GR-XL01.005.2000



End caps



**Product notes**

- > For installation at the end of extrusion, reducing the risk of injury
- > Material: PA6 black

**Technical data**

Item no.	Suitable for extrusion system
GR01.010	SLine
GR01.011	SLine
GR01.012	SLine
GR01.013	SLine
GR01.015	SLine
GR01.016	SLine
GR01.017	MLine
GR01.018	MLine
GR-XL01.012	XLine
GR-XL01.013	XLine

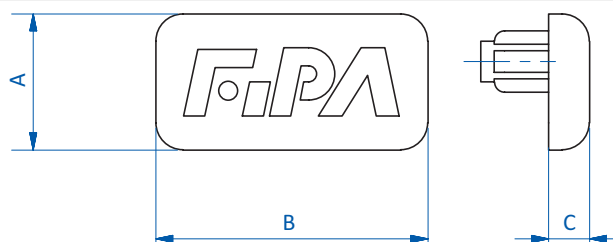
**Dimensions**

A [mm]	B [mm]	C [mm]
10	20	3
10	40	3
20	20	3
20	40	3
20	80	3
40	40	3
25	25	3
25	50	3
40	40	4
40	80	4

**Application examples**



**Dimensions**





# Extrusion systems | Slot nuts

Threaded slot nuts – universal

## Threaded slot nuts – universal



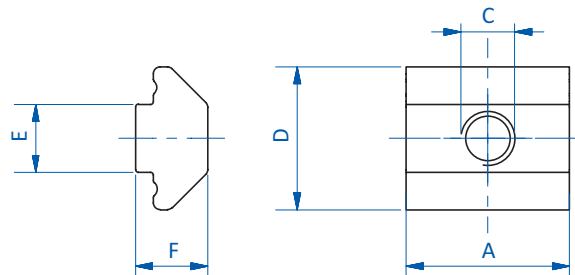
### Product notes

- > Galvanized steel slot nuts
- > Ball catch prevents slipping of slot nut during installation
- > Compatible with many third-party extrusions

### Technical data

Item no.	Suitable for extrusion system	With ball catch	Weight [g]
GR01.088A	SLine / MLine	--	2
GR01.089A	SLine / MLine	--	3
GR01.090A	SLine / MLine	--	6
GR01.091A	SLine / MLine	Yes	6
GR01.092A	SLine / MLine	Yes	8
GR01.093A	SLine / MLine	Yes	9
GR01.094A	SLine / MLine	Yes	12
GR01.095A	SLine / MLine	Yes	13
GR01.096A	SLine / MLine	Yes	20
GR01.097A	SLine / MLine	--	2
GR01.098A	SLine / MLine	--	5
GR01.101A	SLine / MLine	Yes	12
GR01.102A	SLine / MLine	Yes	20
GR-XL01.100	XLine	Yes	17
GR-XL01.101	XLine	Yes	21
GR-XL01.102	XLine	Yes	35
GR-XL01.103	XLine	Yes	57
GR-XL01.104	XLine	Yes	94
GR-XL01.106	XLine	Yes	18

### Dimensions

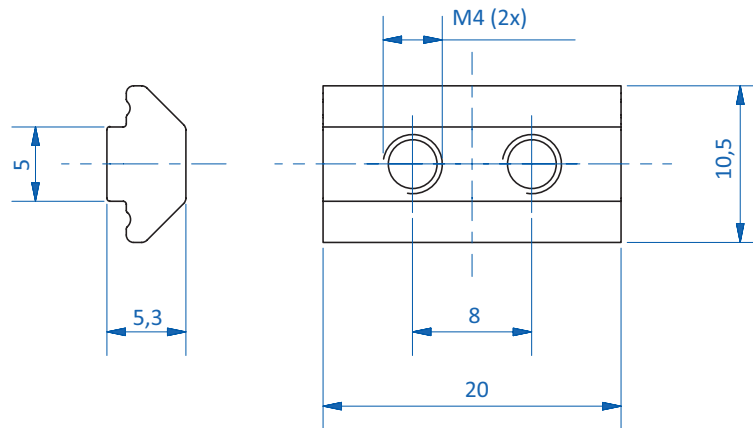


GR01.088A | GR01.089A | GR01.097A | GR01.098A | GR-XL01.100 | GR-XL01.106

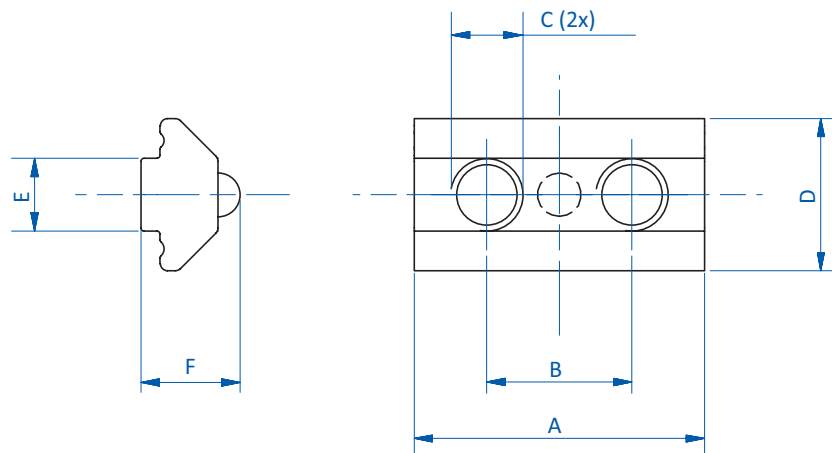




Dimensions



GR01.090A



GR01.091A | GR01.092A | GR01.093A | GR01.094A | GR01.095A | GR01.096A |  
GR01.101A | GR01.102A | GR-XL01.101 | GR-XL01.102 | GR-XL01.103 | GR-XL01.104

Item no.	C	A [mm]	B [mm]	D [mm]	E [mm]	F [mm]
GR01.088A	M3	12	--	10.5	4.5	5.3
GR01.089A	M4	12	--	10.5	4.5	5.3
GR01.090A	M4	20	8	10.5	5	6.8
GR01.091A	M5	20	10	10.5	5	6.8
GR01.092A	M5	25	12	10.5	5	6.8
GR01.093A	M5	30	20	10.5	5	6.8
GR01.094A	M5	35	25	10.5	5	6.8
GR01.095A	M5	40	30	10.5	5	6.8
GR01.096A	M5	60	50	10.5	5	6.8
GR01.097A	M5	12	--	10.5	5	6.8
GR01.098A	M5	20	--	10.5	5	6.8
GR01.101A	M5	45	35	10.5	5	6.8
GR01.102A	M5	70	60	10.5	5	6.8
GR-XL01.100	M8	22	--	17	8	12.1
GR-XL01.101	M8	30	15	17	8	12.1
GR-XL01.102	M8	45	30	17	8	12.1
GR-XL01.103	M8	70	55	17	8	12.1
GR-XL01.104	M8	110	95	17	8	12.1
GR-XL01.106	M6	22	--	17	8	12.1



### Threaded slot nuts – universal



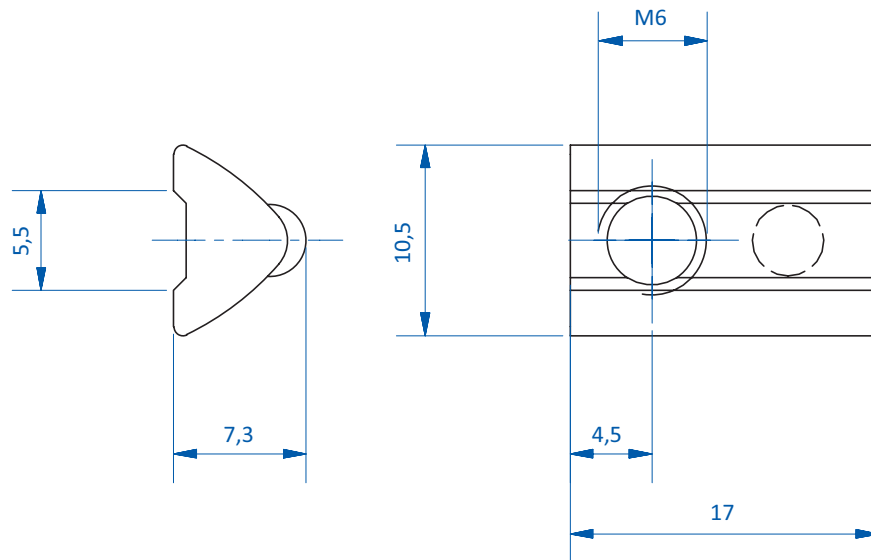
#### Product notes

- > Galvanized steel slot nuts
- > Ball catch prevents slipping of slot nut during installation
- > Compatible with many third-party extrusions

#### Technical data

Item no.	Suitable for extrusion system	With ball catch	Weight [g]
GR01.103	MLine	Yes	4
GR01.104	MLine	--	7
GR01.105	MLine	--	16

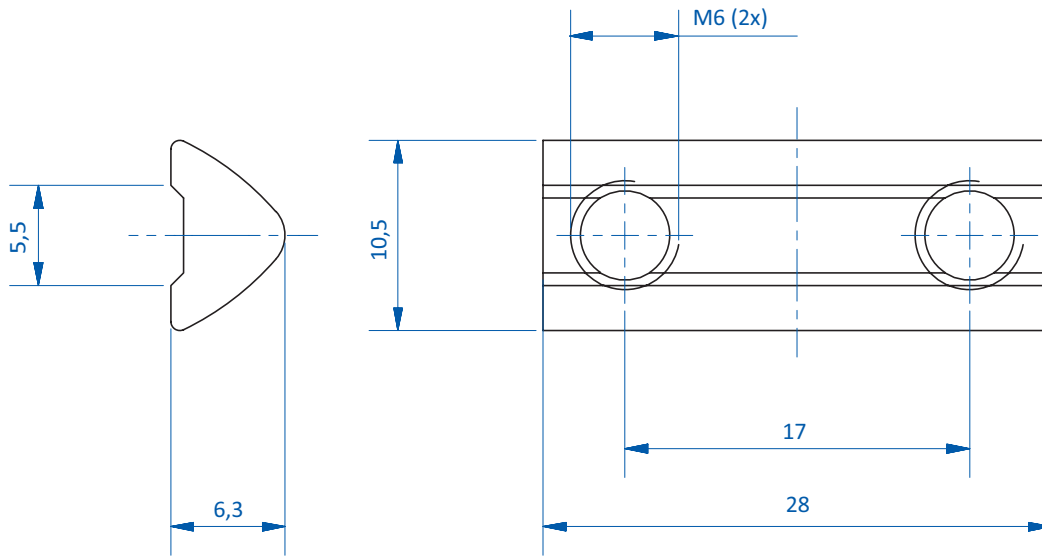
#### Dimensions



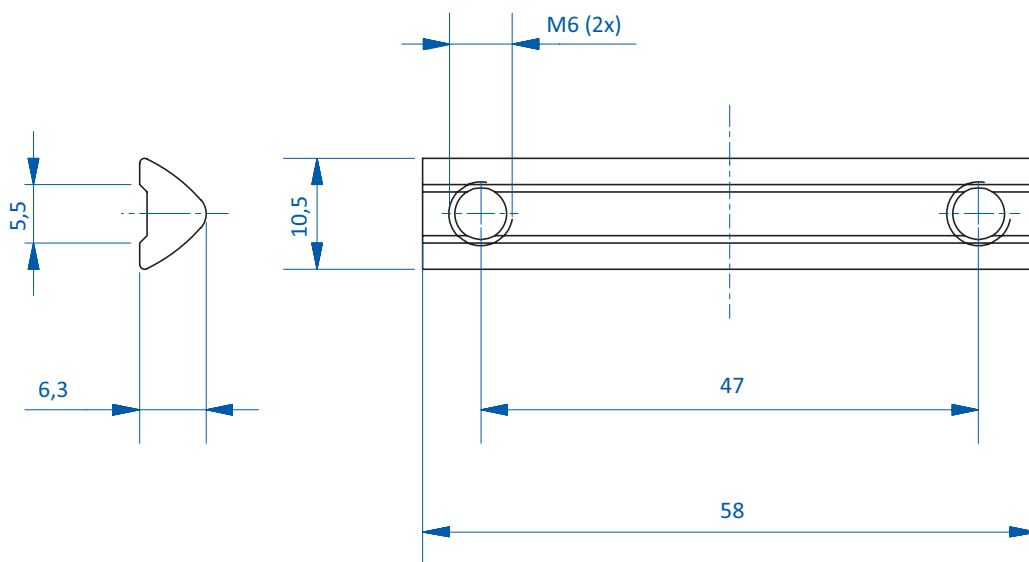
GR01.103



Dimensions



GR01.104



GR01.105



### Threaded slot nuts – swivel-in



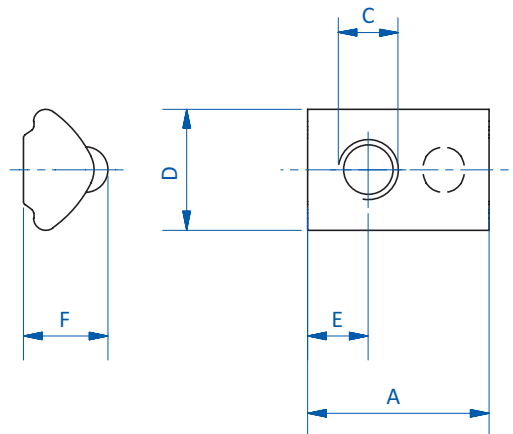
#### Product notes

- > Galvanized steel slot nuts
- > Enables subsequent extension of gripper systems without disassembly
- > Ball catch prevents slipping of slot nut during installation

#### Technical data

Item no.	Suitable for extrusion system	With ball catch	Weight [g]
GR01.069	SLine	Yes	2
GR01.070	SLine	Yes	2
GR01.071	SLine	Yes	2
GR01.080	SLine	--	2
GR01.081	SLine	Yes	3
GR01.082	SLine	Yes	4
GR01.083	SLine	Yes	5
GR01.084	SLine	Yes	6
GR01.085	SLine	Yes	7
GR01.086	SLine	Yes	11
GR-XL01.105	XLine	Yes	8

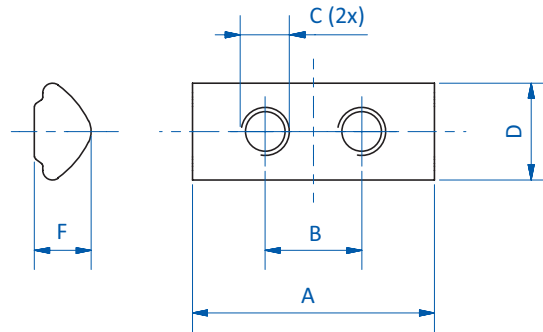
#### Dimensions



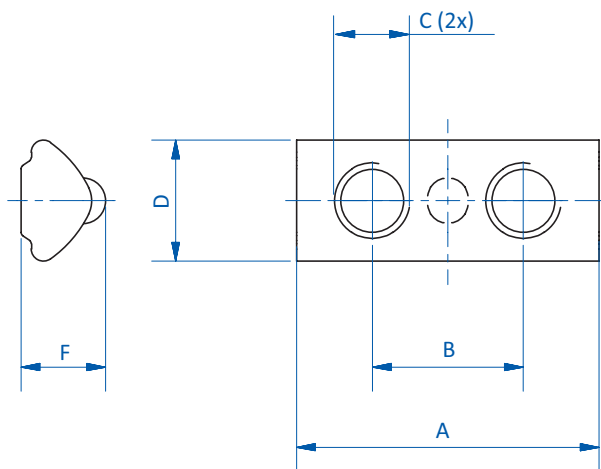
GR01.069 | GR01.070 | GR01.071 | GR-XL01.105



Dimensions



GR01.080



GR01.081 | GR01.082 | GR01.083 | GR01.084 | GR01.085 | GR01.086

Item no.	C	A [mm]	B [mm]	D [mm]	F [mm]	E [mm]
GR01.069	M3	12	--	8	5.6	3
GR01.070	M4	12	--	8	5.6	4
GR01.071	M5	12	--	8	5.6	4
GR01.080	M4	20	8	8	4.7	--
GR01.081	M5	20	10	8	5.6	--
GR01.082	M5	25	12	8	5.6	--
GR01.083	M5	30	20	8	5.6	--
GR01.084	M5	35	25	8	5.6	--
GR01.085	M5	40	30	8	5.6	--
GR01.086	M5	60	50	8	5.6	--
GR-XL01.105	M5	22	--	12.9	9.1	6.3



### Cross joint connectors



#### Product notes

- > Elements for 90° connection of two extrusions
- > Extrusions can be moved in four directions after screws are loosened

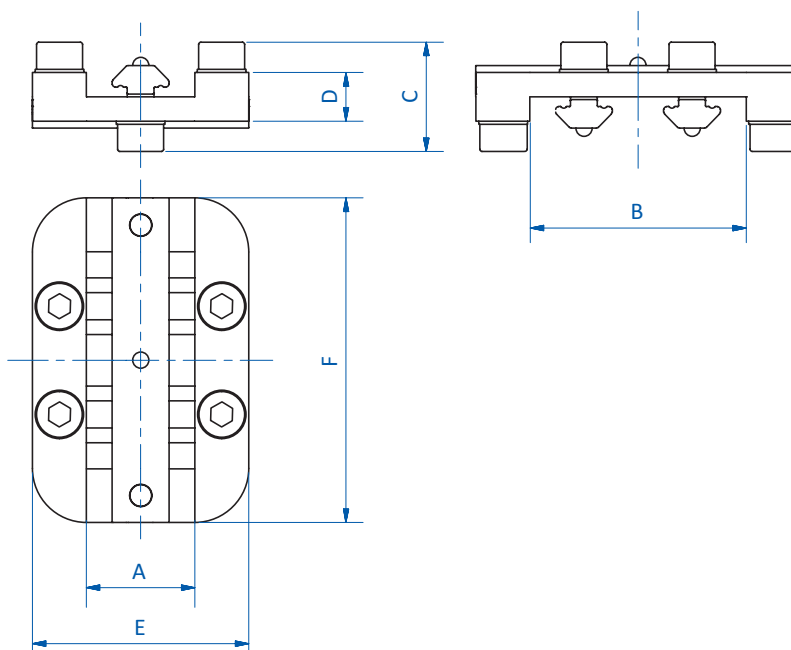
#### Technical data

Item no.	Suitable for extrusion system	Weight [g]
GR01.020A	SLine	48
GR01.021	SLine	73
GR01.022	SLine	107
GR01.026	MLine	55
GR01.027	MLine	90
GR01.150	MLine	101
GR-XL01.020	XLine	218
GR-XL01.021	XLine	380
GR-XL01.022	XLine	630

#### Dimensions

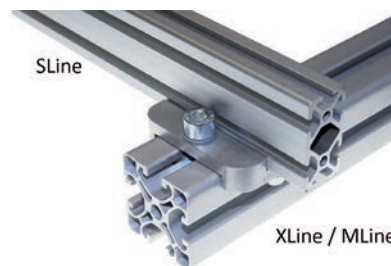
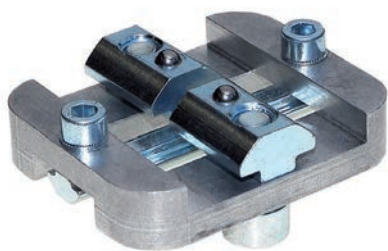
A [mm]	B [mm]	C [mm]	D [mm]	E [mm]	F [mm]	G [mm]
20	20	20	9	40	40	--
20	40	20	9	40	60	--
40	40	20	9	60	60	--
25	25	23	12	45	45	--
25	50	23	12	45	70	--
50	50	23	12	70	70	--
40	40	30	12	70	70	4
40	80	30	12	70	110	4
80	80	30	12	110	110	4

#### Dimensions





### Cross joint connectors



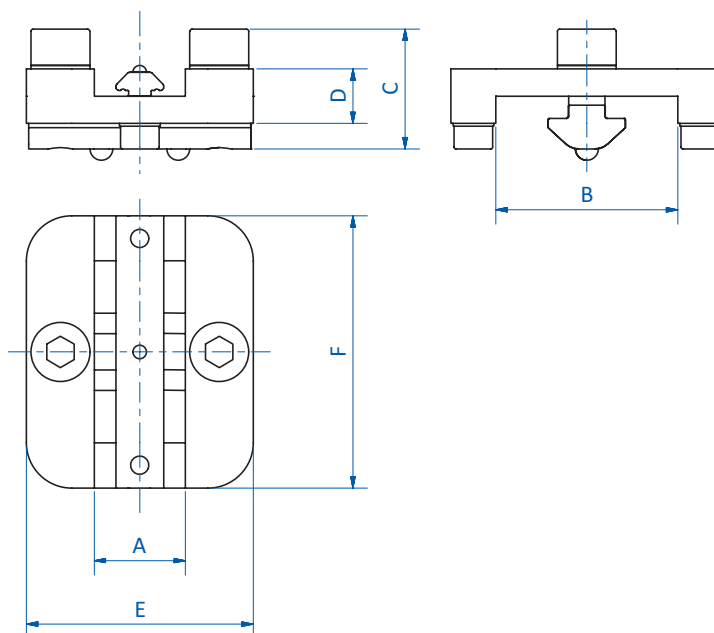
#### Product notes

> Elements for 90° connection of SLine with MLine or XLine extrusions

#### Technical data

Item no.	Suitable for extrusion system	Weight [g]
GR01.023	SLine / MLine	61
GR01.024	SLine / XLine	119
GR01.025	SLine / XLine	173

#### Dimensions



Item no.	A [mm]	B [mm]	C [mm]	D [mm]	E [mm]	F [mm]
GR01.023	20	25	23	12	40	45
GR01.024	20	40	27	12	50	60
GR01.025	40	40	27	12	70	60



### Profile connectors



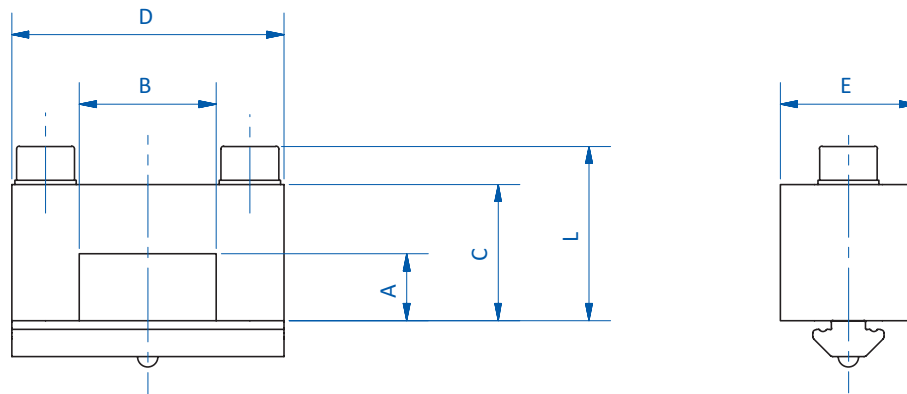
#### Product notes

- > Elements for 90° connection of two SLine extrusions
- > Extrusions can be moved in four directions after screws are loosened

#### Technical data

Item no.	Suitable for extrusion system	Weight [g]
GR01.030	SLine	43
GR01.031	SLine	58
GR01.032	SLine	72
GR01.040	SLine	50
GR01.041	SLine	55
GR01.042	SLine	83

#### Dimensions

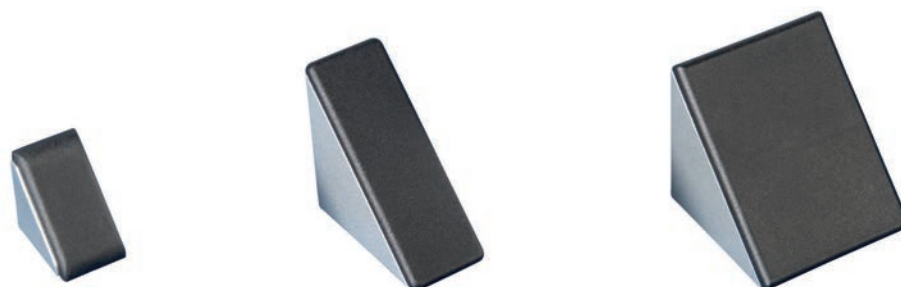


Item no.	A [mm]	B [mm]	C [mm]	D [mm]	E [mm]	L [mm]
GR01.030	10	20	20	40	20	25.5
GR01.031	10	40	19.5	60	20	25
GR01.032	20	40	29.5	60	20	35
GR01.040	20	10	29.5	30	20	35
GR01.041	20	20	29.5	40	20	35
GR01.042	40	20	49.5	40	20	55





### Angle connectors 90° with cover



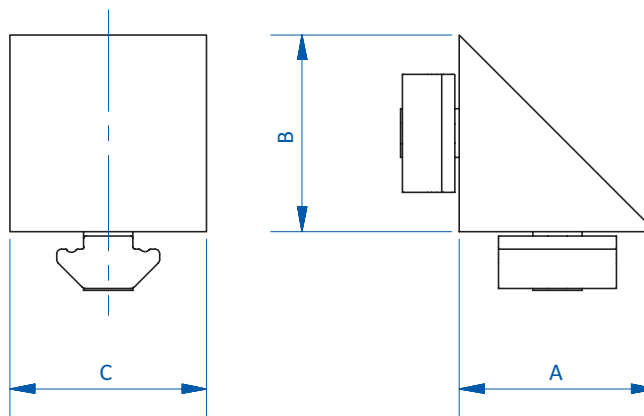
#### Product notes

> Elements for connection of two extrusions

#### Technical data

Item no.	Weight [g]	Suitable for extrusion system
GR01.050	20	SLine / MLine
GR01.051	60	SLine / MLine
GR01.052	150	XLine
GR01.053	270	XLine

#### Dimensions



Item no.	A [mm]	B [mm]	C [mm]
GR01.050	20	20	20
GR01.051	41.5	41.5	20
GR01.052	40	40	40
GR01.053	77.5	77.5	38.5



### Joining plates 90°



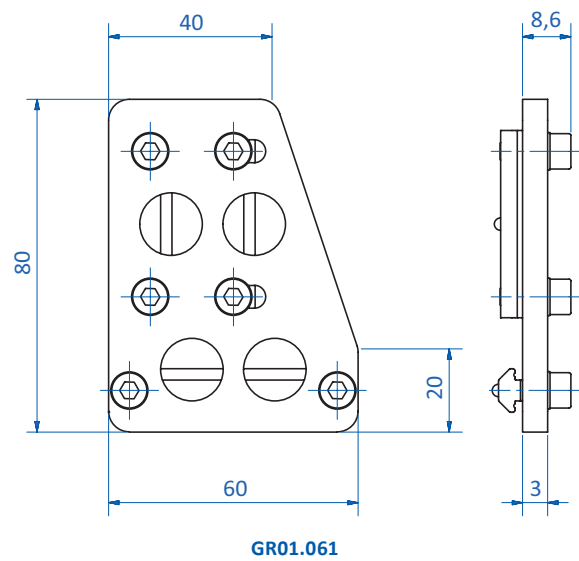
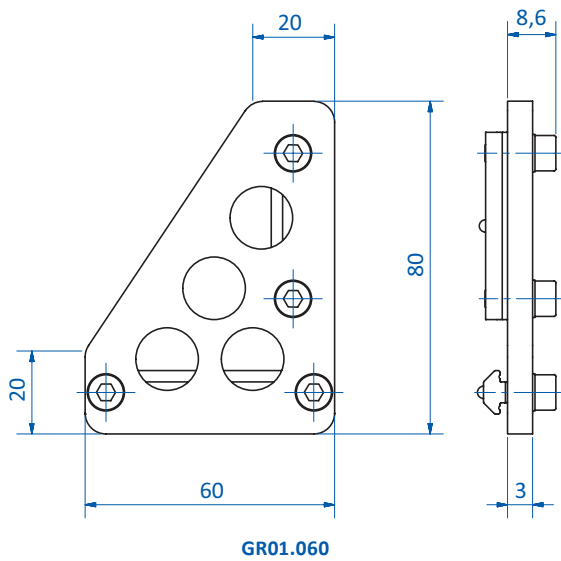
#### Product notes

> Joining plate for 90° connection of two profiles

#### Technical data

Item no.	Suitable for extrusion system	Weight [g]
GR01.060	SLine / MLine	93
GR01.061	SLine / MLine	108

#### Dimensions





### Corner joint plates 90° to 130°



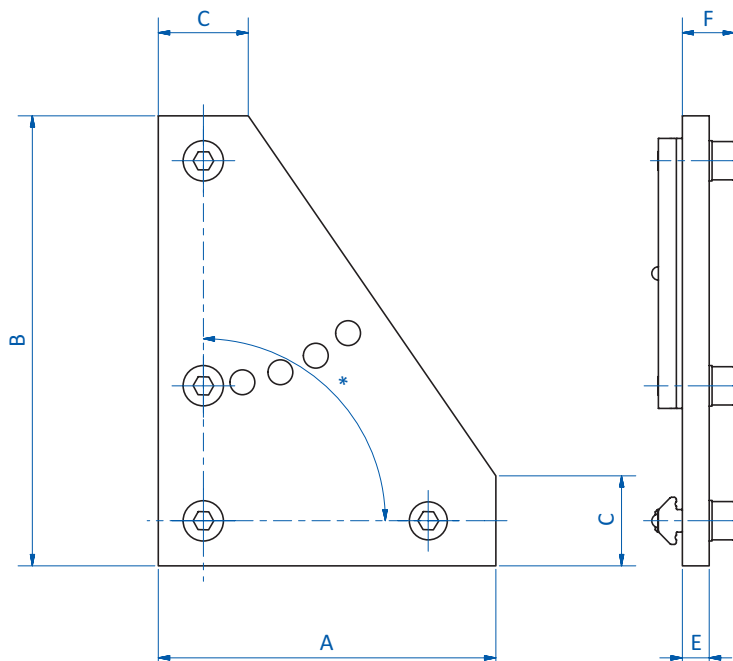
#### Product notes

> Joining plates for connection of two profiles with a defined angle

#### Technical data

Item no.	Suitable for extrusion system	Angle [°]	Weight [g]
GR01.063	SLine	90°, 100°, 110°, 120°, 130°	127
GR01.064	MLine	90°, 100°, 110°, 120°, 130°	131
GR-XL01.063	XLine	90°, 110°, 130°	284

#### Dimensions



\* = Angle

Item no.	A [mm]	B [mm]	C [mm]	E [mm]	F [mm]
GR01.063	75	100	20	3	8.6
GR01.064	75	100	25	3	8.6
GR-XL01.063	80	120	40	3	11.8



### Adjustable profile connectors 0° to 90°



GR01.062

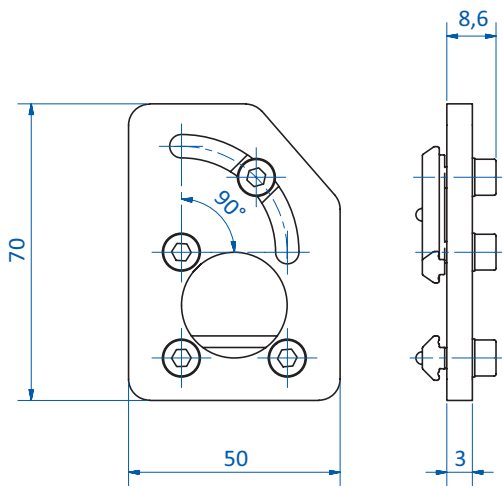
#### Product notes

- > Joining plates for connection of two profiles with adjustable angle

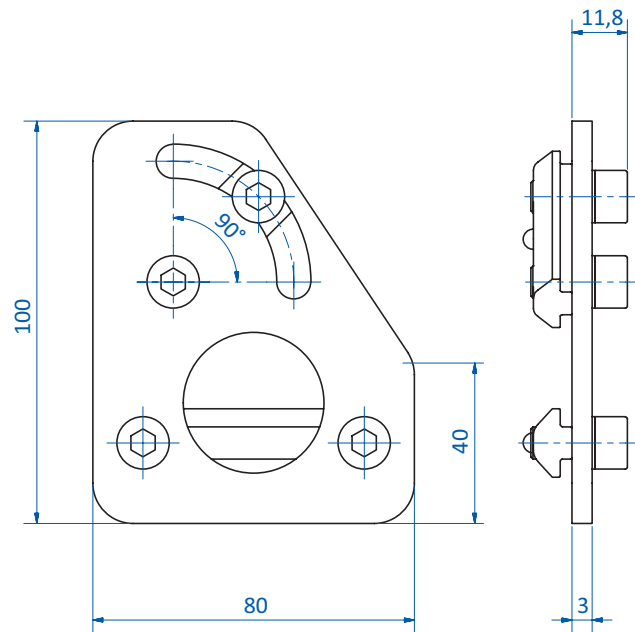
#### Technical data

Item no.	Suitable for extrusion system	Weight [g]
GR01.062	SLine / MLine	77
GR-XL01.062	XLine	225

#### Dimensions



GR01.062



GR-XL01.062



### Profile connectors – rotatable



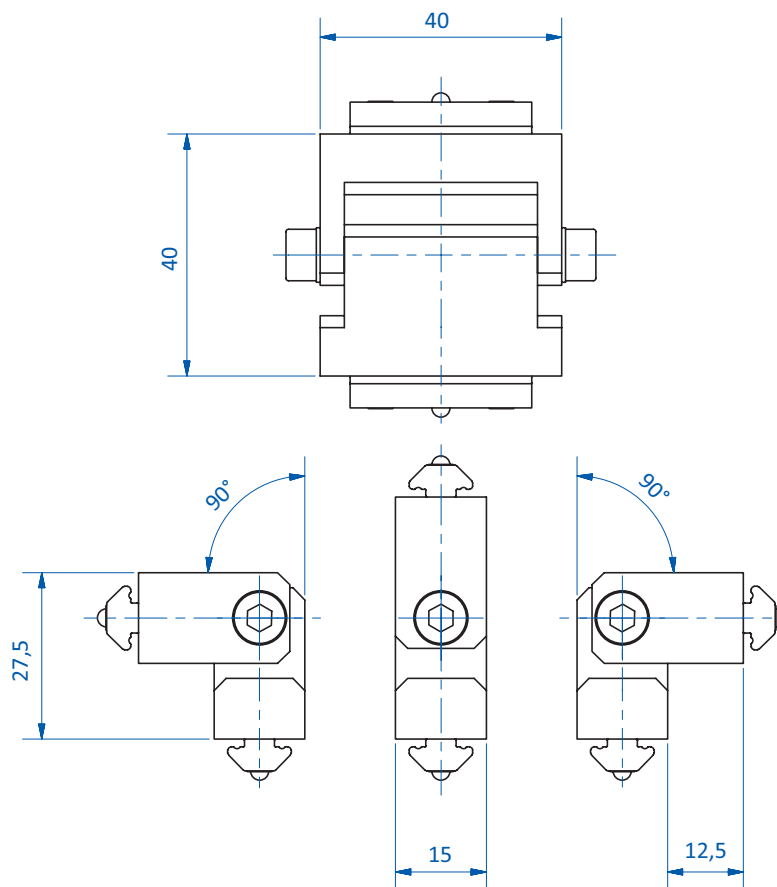
#### Product notes

- > Variable angle mounting of two parallel profiles
- > Rigid clamping through two opposing screws
- > 2x slot nut GR01.093A, with 2x M5 thread for length-ways mounting
- > 4x slot nut GR01.097A, with 2x M5 thread for horizontal mounting

#### Technical data

Item no.	Suitable for extrusion system	Weight [g]
<b>GR01.100</b>	SLine / MLine	78

#### Dimensions





### Profile end connectors 90°



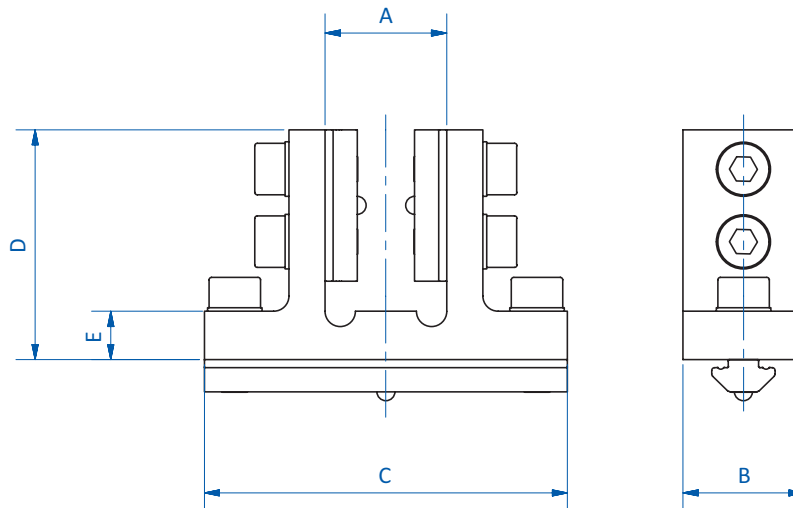
#### Product notes

- > Rigid 90° connection between two extrusions
- > No thread cutting required

#### Technical data

Item no.	Suitable for extrusion system	Weight [g]
GR01.120	SLine / MLine	92
GR01.121	SLine / MLine	90
GR01.122	SLine / MLine	96
GR01.123	SLine / MLine	100
GR-XL01.025	XLine	406
GR-XL01.026	XLine	396

#### Dimensions



Item no.	A [mm]	B [mm]	C [mm]	D [mm]	E [mm]
GR01.120	20	20	60	38	8
GR01.121	40	20	80	38	8
GR01.122	25	25	60	37	7
GR01.123	50	25	90	37	7
GR-XL01.025	40	40	110	47	12
GR-XL01.026	80	40	150	47	12



### Flat connectors – straight



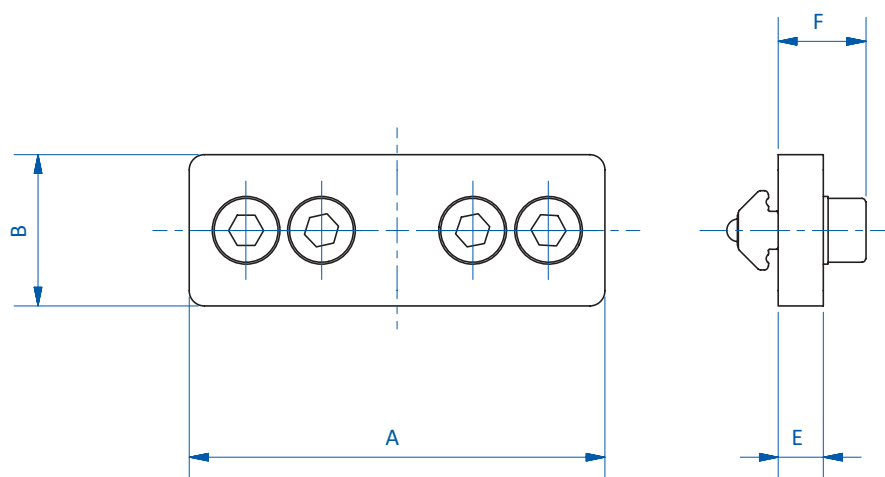
#### Product notes

> For rigid end-to-end connection of two profiles

#### Technical data

Item no.	Suitable for extrusion system	Weight [g]
GR01.054	SLine / MLine	16
GR01.055	SLine / MLine	50
GR01.056	SLine / MLine	64
GR-XL01.028	XLine	260

#### Dimensions



Item no.	A [mm]	B [mm]	E [mm]	F [mm]
GR01.054	55	20	3	9
GR01.055	75	20	3	9
GR01.056	100	20	3	9
GR-XL01.028	160	40	3	12



### Flat connectors – L-form



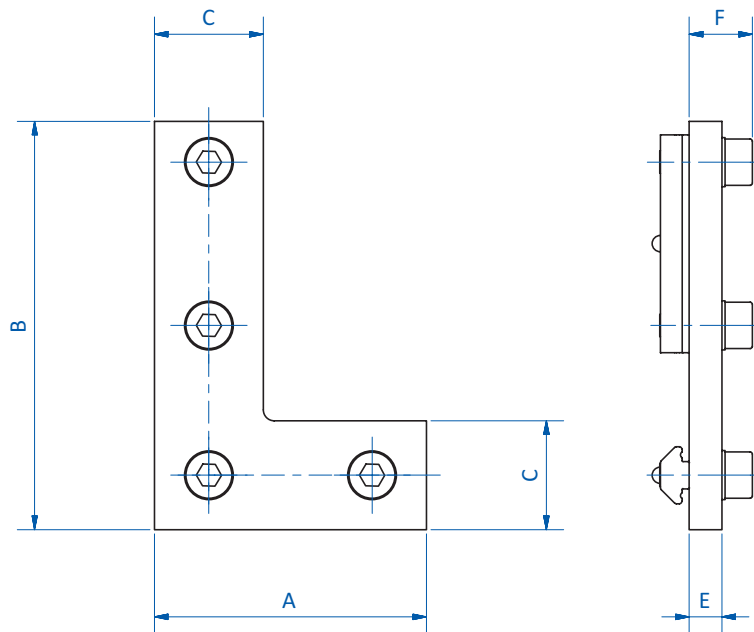
#### Product notes

> For rigid connection of two profiles at 90°

#### Technical data

Item no.	Suitable for extrusion system	Weight [g]
GR01.046	SLine / MLine	66
GR01.047	SLine / MLine	53
GR01.048	MLine	213
GR-XL01.029	XLine	260

#### Dimensions

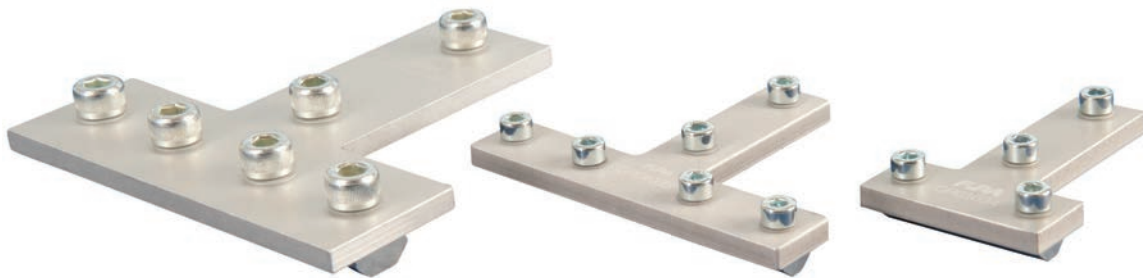


Item no.	A [mm]	B [mm]	C [mm]	E [mm]	F [mm]
GR01.046	50	75	20	3	9
GR01.047	50	50	20	3	9
GR01.048	80	120	50	3	9
GR-XL01.029	80	120	40	3	12





### Flat connectors – T-form



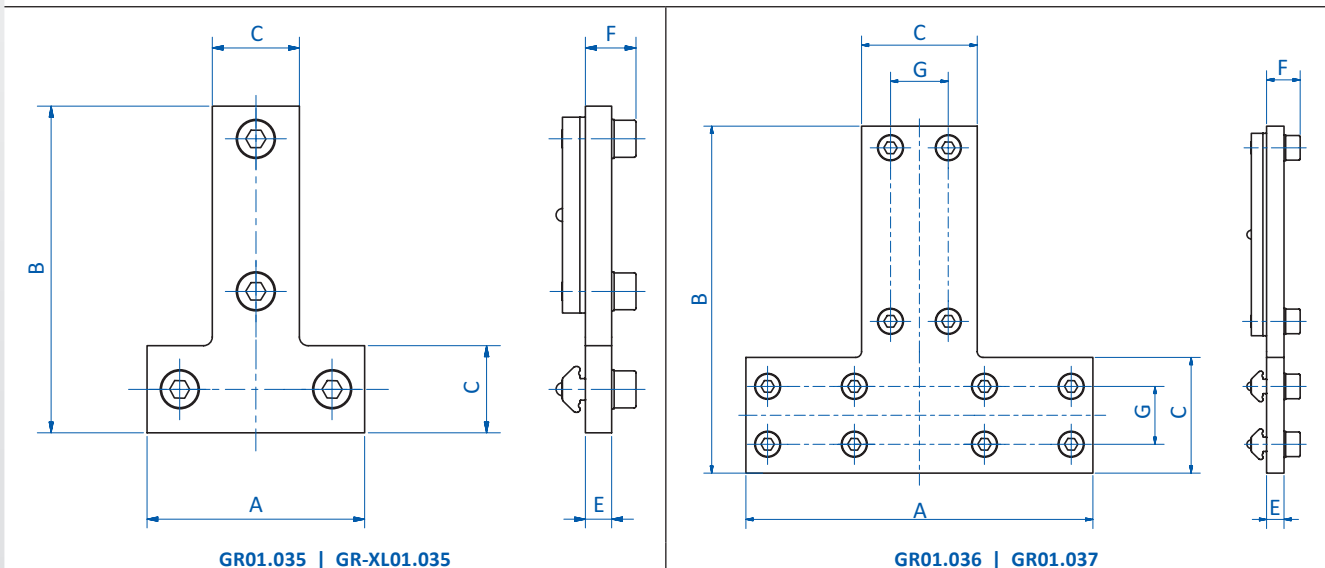
#### Product notes

> For rigid perpendicular connection of two profiles

#### Technical data

Item no.	Suitable for extrusion system	Weight [g]
GR01.035	SLine / MLine	95
GR01.036	SLine	123
GR01.037	MLine	268
GR-XL01.035	XLine	318

#### Dimensions



Item no.	A [mm]	B [mm]	C [mm]	E [mm]	F [mm]	G [mm]
GR01.035	100	75	20	3	9	--
GR01.036	120	120	40	3	9	20
GR01.037	120	130	50	3	9	25
GR-XL01.035	120	120	40	3	12	--



### Flat connectors 45°



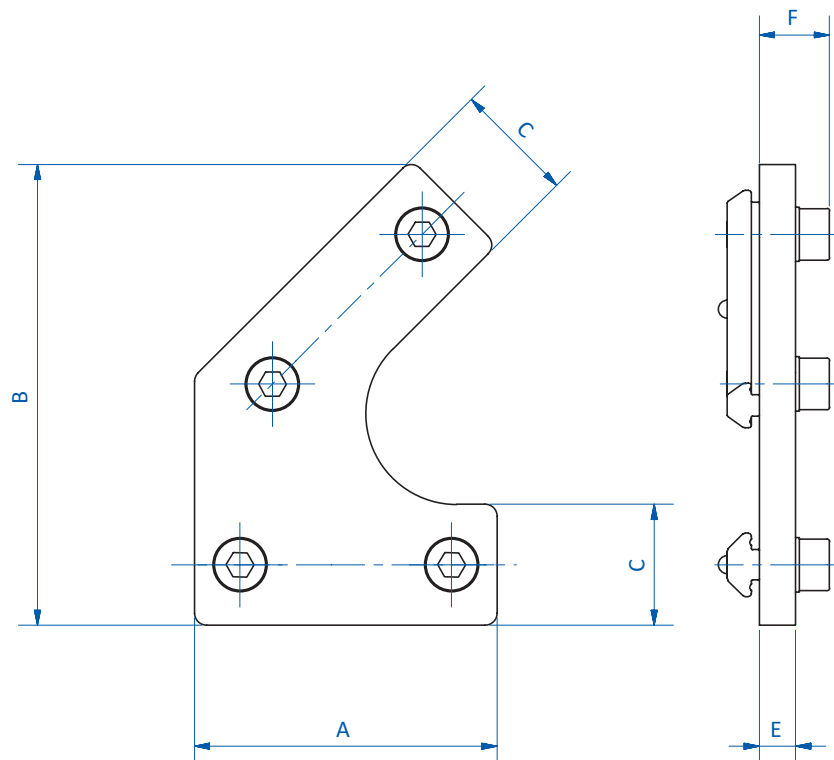
#### Product notes

> For rigid 45° connection of two profiles

#### Technical data

Item no.	Angle [°]	Suitable for extrusion system	Weight [g]
GR01.065	45	SLine	74
GR01.066	45	MLine	79

#### Dimensions



Item no.	A [mm]	B [mm]	C [mm]	E [mm]	F [mm]
GR01.065	50	76	20	3	9
GR01.066	50	76	25	3	9



### Profile – Tube – Adapter



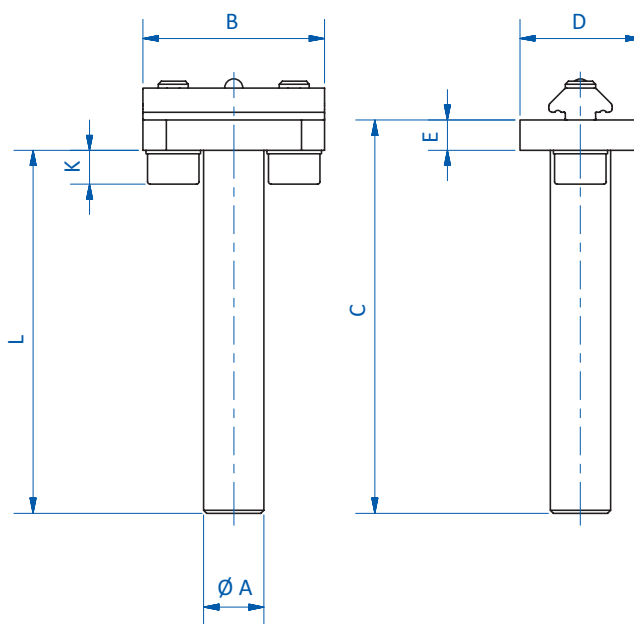
#### Product notes

> For the transition from profile systems to a tubular system

#### Technical data

Item no.	Suitable for extrusion system	Weight [g]
GR01.110	SLine / MLine	28
GR01.111	SLine / MLine	41
GR01.112	SLine / MLine	48

#### Dimensions



Item no.	Ø A [mm]	B [mm]	C [mm]	D [mm]	E [mm]	K [mm]	L [mm]
GR01.110	10	30	65	20	5	5.6	60
GR01.111	14	35	85	20	5	5.6	80
GR01.112	20	42	105	20	5	5.6	100



### Short angle clamps



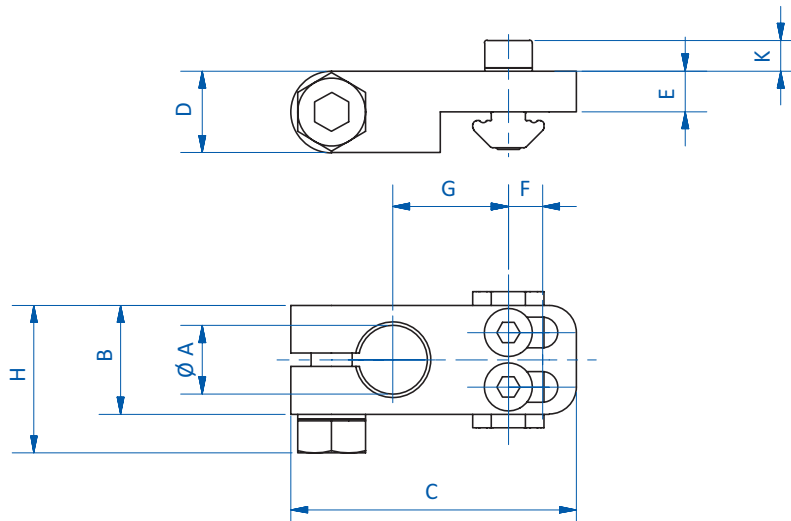
#### Product notes

- > For 90° mounting of gripper components
- > Slotted holes allow for use with profiles from 20 mm to 30 mm in size

#### Technical data

Item no.	Suitable for extrusion system	Weight [g]
GR02.001A	SLine / MLine	26
GR02.003A	SLine / MLine	52
GR02.004	SLine / MLine	41
GR02.005	SLine / MLine	73
GR-XL02.003	XLine	114
GR-XL02.005	XLine	122

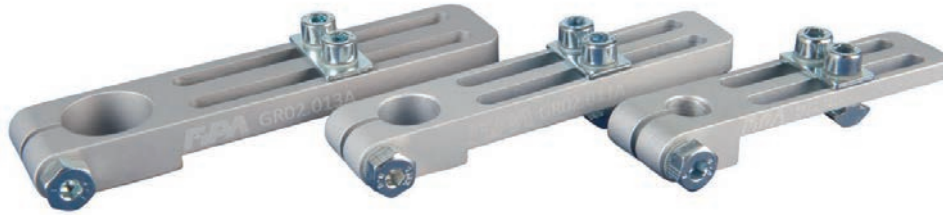
#### Dimensions



Item no.	Ø A [mm]	B [mm]	C [mm]	D [mm]	E [mm]	F [mm]	G [mm]	H [mm]	K [mm]
GR02.001A	10	16	42	12	6	5	17	21.7	4.5
GR02.003A	20	25	52	12	6.5	5	22	30.7	5.6
GR02.004	14	20	46	12	6.5	5	19	25.7	5.6
GR02.005	30	35	62	20	10	5	27	40.7	5.6
GR-XL02.003	10	30	73	15	6	10	32	35.7	8.8
GR-XL02.005	30	35	82	20	10	10	37	40.7	8.8



Long angle clamps



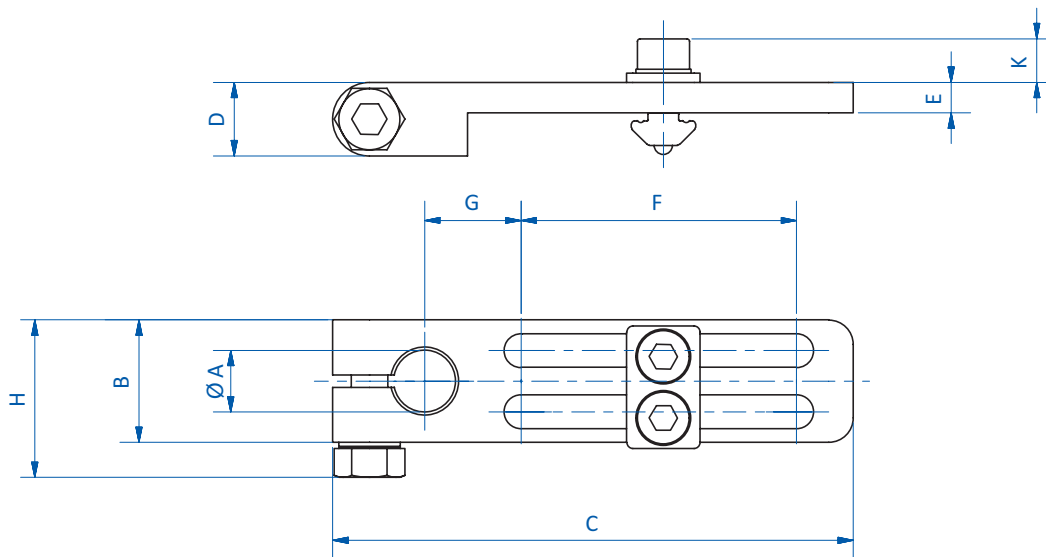
Product notes

- > For 90° mounting of gripper components
- > Allows for adjustment parallel and perpendicular to the profile frame

Technical data

Item no.	Suitable for extrusion system	Weight [g]
GR02.010A	SLine / MLine	52
GR02.011A	SLine / MLine	58
GR02.013A	SLine / MLine	85
GR02.016	SLine / MLine	150
GR-XL02.013	XLine	140
GR-XL02.016	XLine	213

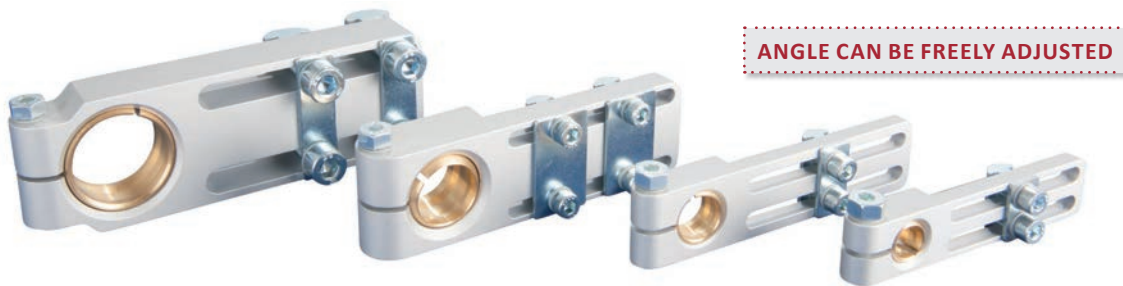
Dimensions



Item no.	Ø A [mm]	B [mm]	C [mm]	D [mm]	E [mm]	F [mm]	G [mm]	H [mm]	K [mm]
GR02.010A	10	20	85	12	8	45	15.8	25.7	7.1
GR02.011A	14	20	98.5	12	8.5	55	17.3	25.7	7.1
GR02.013A	20	25	114	12	8.5	64.5	20.3	30.7	7.1
GR02.016	30	35	122	20	10	65	27	40.7	7.1
GR-XL02.013	20	30	150	15	7.5	100	21	35.7	10.3
GR-XL02.016	30	36	162	20	20	100	25.5	40.7	10.3



### Long angle clamps – with ball joint



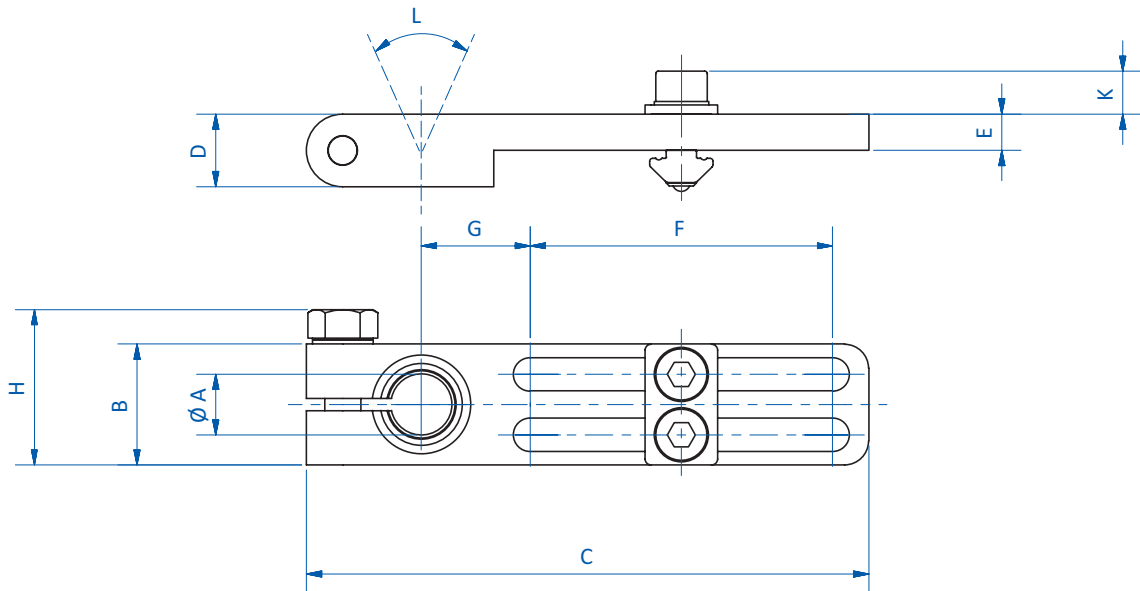
#### Product notes

- > Ball joint enables variable angular adjustment of gripper components
- > Allows for adjustment parallel and perpendicular to the profile frame

#### Technical data

Item no.	Suitable for extrusion system	Angular adjustment [°]	Weight [g]
GR02.035	SLine / MLine	38	48
GR02.036	SLine / MLine	33	60
GR02.037	SLine / MLine	31	145
GR02.038	SLine / MLine	28	238
GR-XL02.038	XLine	28	260

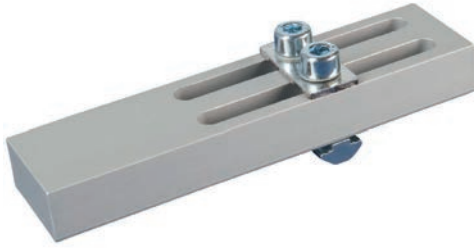
#### Dimensions



Item no.	Ø A [mm]	B [mm]	C [mm]	D [mm]	E [mm]	F [mm]	G [mm]	H [mm]	K [mm]	L [°]
GR02.035	10	20	93	12	6	50	18	25.7	7.1	38
GR02.036	14	25	107	12	6	60	20	30.7	7.1	33
GR02.037	20	35	115	20	10	60	24	40.7	7.1	31
GR02.038	30	45	136	20	17	70	30	45.7	7.1	28
GR-XL02.038	30	45	136	20	20	70	30	45.7	10.3	28



## Angle clamps – customizable



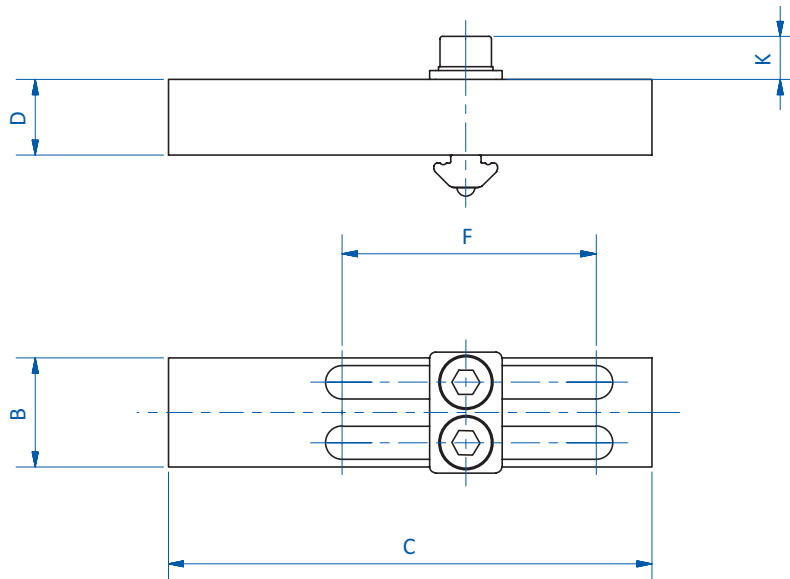
### Product notes

- > Mounting blank for custom solutions
- > Allows for adjustment parallel and perpendicular to the profile frame

### Technical data

Item no.	Suitable for extrusion system	Weight [g]
GR02.014	SLine / MLine	47
GR02.015	SLine / MLine	84

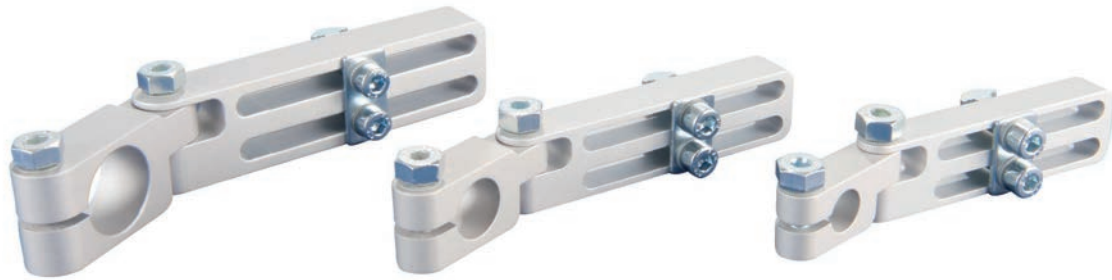
### Dimensions



Item no.	B [mm]	C [mm]	D [mm]	F [mm]	K [mm]
GR02.014	18	80	12.5	42	7.1
GR02.015	25	100	12.5	52	7.1



### Long angle clamps – with swivel head



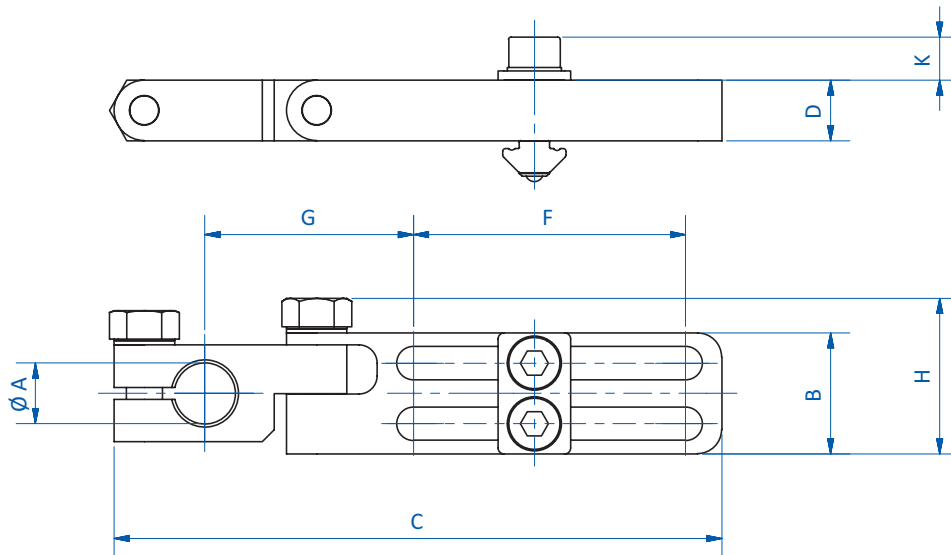
#### Product notes

- > Swivel head allows for angle variable installation of gripper components
- > Allows for adjustment parallel and perpendicular to the profile frame

#### Technical data

Item no.	Suitable for extrusion system	Weight [g]
GR02.026	SLine / MLine	56
GR02.027	SLine / MLine	62
GR02.028	SLine / MLine	90
GR02.029	SLine / MLine	152
GR-XL02.029	XLine	223

#### Dimensions



Item no.	Ø A [mm]	B [mm]	C [mm]	D [mm]	F [mm]	G [mm]	H [mm]	K [mm]
GR02.026	10	20	100.5	10	45	34.5	25.7	7.1
GR02.027	14	20	116.5	12	55	37.5	25.7	7.1
GR02.028	20	25	136	15	65	44	30.7	7.1
GR02.029	30	35	183.8	22.5	85	58.8	40.7	7.1
GR-XL02.029	30	45	185	20	85	60	45.7	10.3





Cross clamps



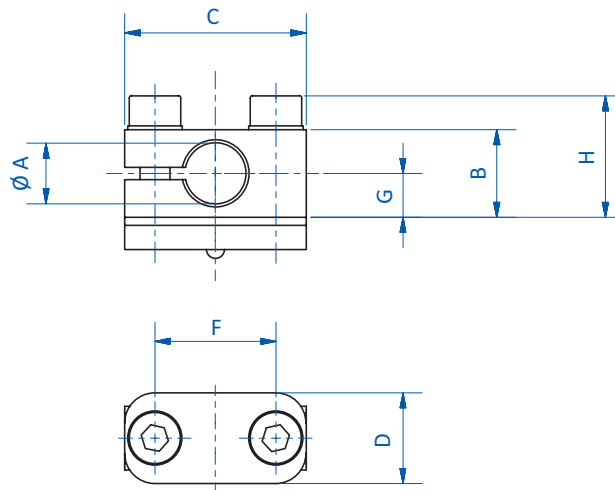
Product notes

- > Elements for 90° clamping of gripper components
- > Clamp allows transition from profile systems to a tubular system

Technical data

Item no.	Suitable for extrusion system	Weight [g]
GR02.020	SLine / MLine	27
GR02.022	SLine / MLine	43
GR02.023	SLine / MLine	35
GR02.024	SLine / MLine	97
GR-XL02.022	XLine	103
GR-XL02.024	XLine	172

Dimensions



Item no.	Ø A [mm]	B [mm]	C [mm]	D [mm]	F [mm]	G [mm]	H [mm]
GR02.020	10	14.5	30	15	20	7.3	20.1
GR02.022	20	24.5	40	15	30	12.3	30.1
GR02.023	14	19.5	35	15	25	9.8	25.1
GR02.024	30	34	60	20	50	17	39.6
GR-XL02.022	20	24.5	45	20	30	12.3	33.3
GR-XL02.024	30	34	68	20	55	17	42.8



### Heavy-duty cross clamps



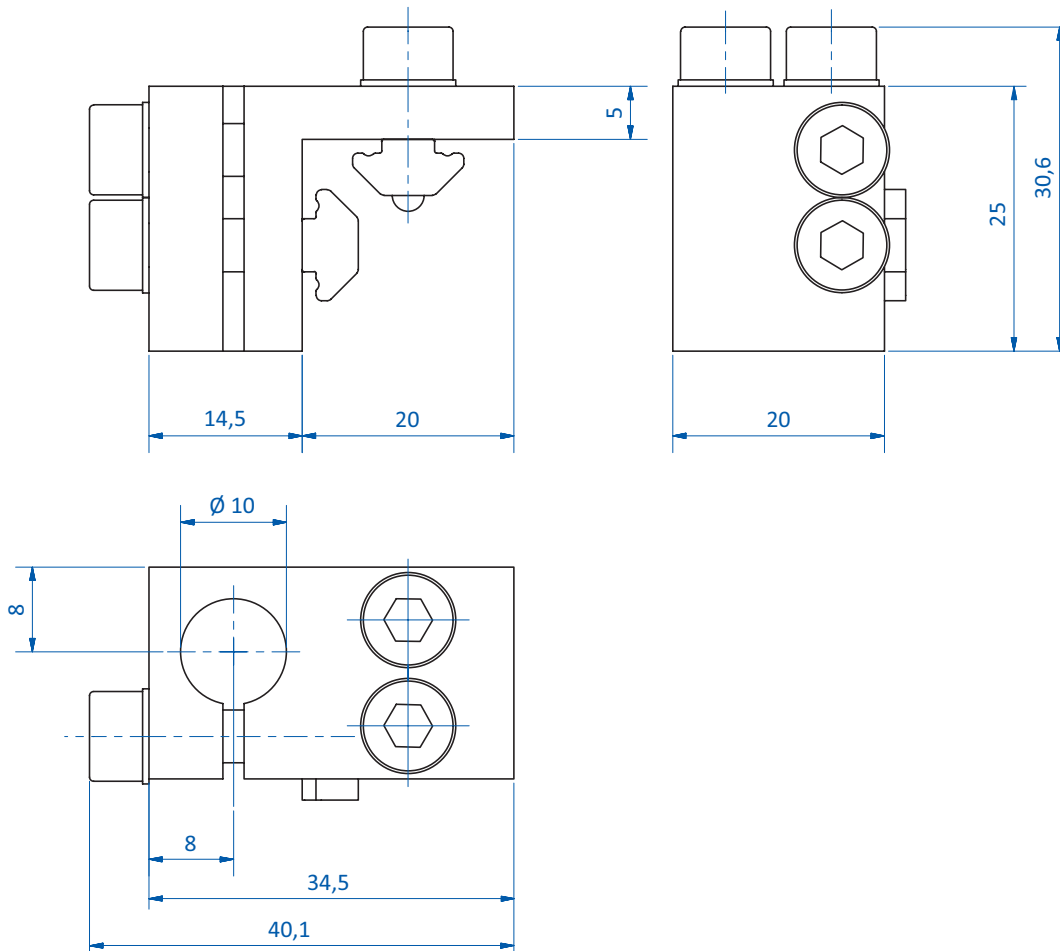
#### Product notes

- > Heavy-duty clamps for mounting gripper components
- > Channel nuts locate on perpendicular faces of the profile to minimize deflection of critical components

#### Technical data

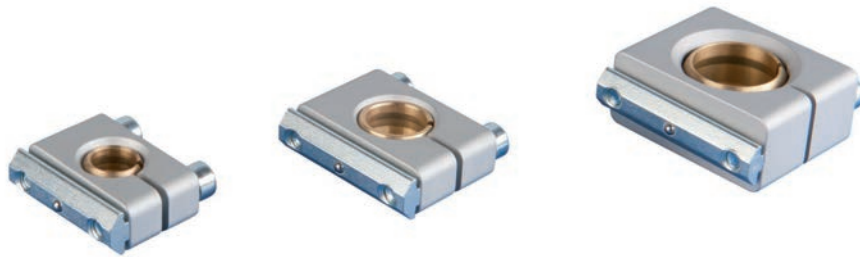
Item no.	Suitable for extrusion system	Weight [g]
GR02.006	SLine	37

#### Dimensions





### Cross clamps – with ball joint



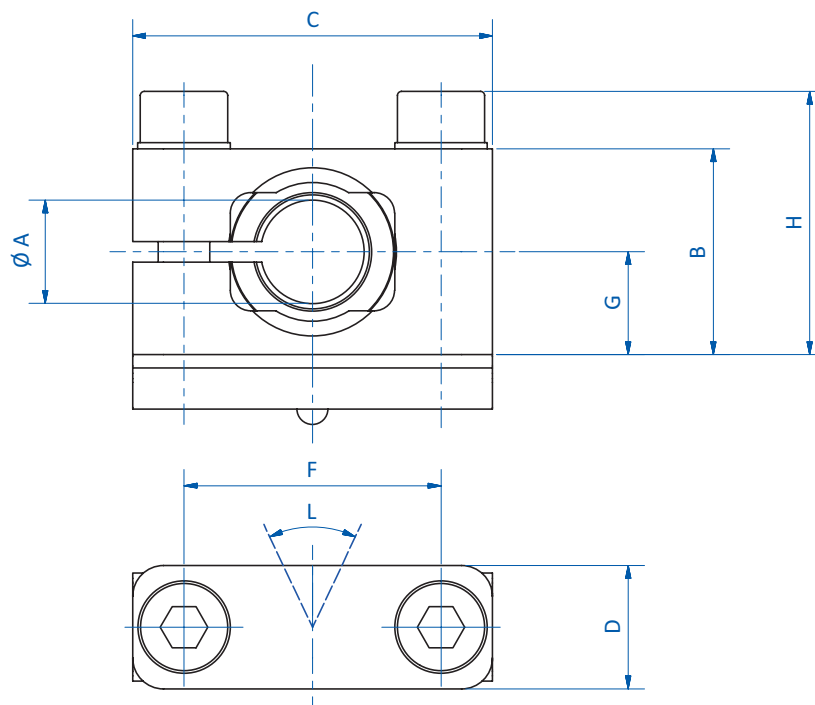
#### Product notes

- > Elements for clamping of gripper components
- > Ball joint enables variable angular adjustment of gripper components up to max. 19°

#### Technical data

Item no.	Suitable for extrusion system	Angular adjustment [°]	Weight [g]
GR02.020-KG	SLine / MLine	19	38
GR02.022-KG	SLine / MLine	16	98
GR02.023-KG	SLine / MLine	17	49

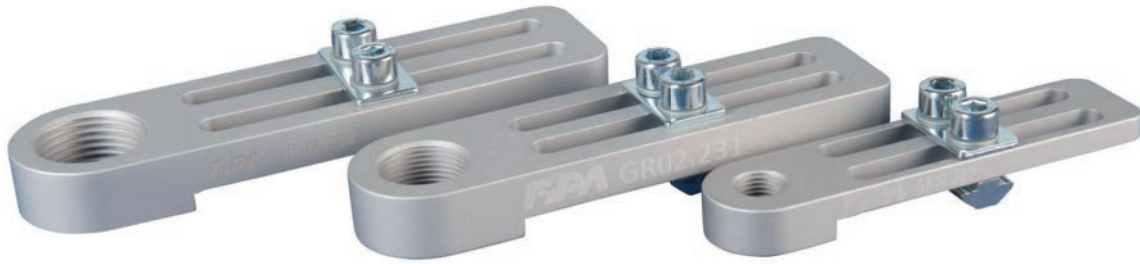
#### Dimensions



Item no.	Ø A [mm]	B [mm]	C [mm]	D [mm]	F [mm]	G [mm]	H [mm]	L [°]
GR02.020-KG	10	20	35	12	25	10	25.6	19
GR02.022-KG	20	35	45	20	35	17.5	40.6	16
GR02.023-KG	14	25	40	12	30	12.5	30.6	17



### Threaded mounting brackets



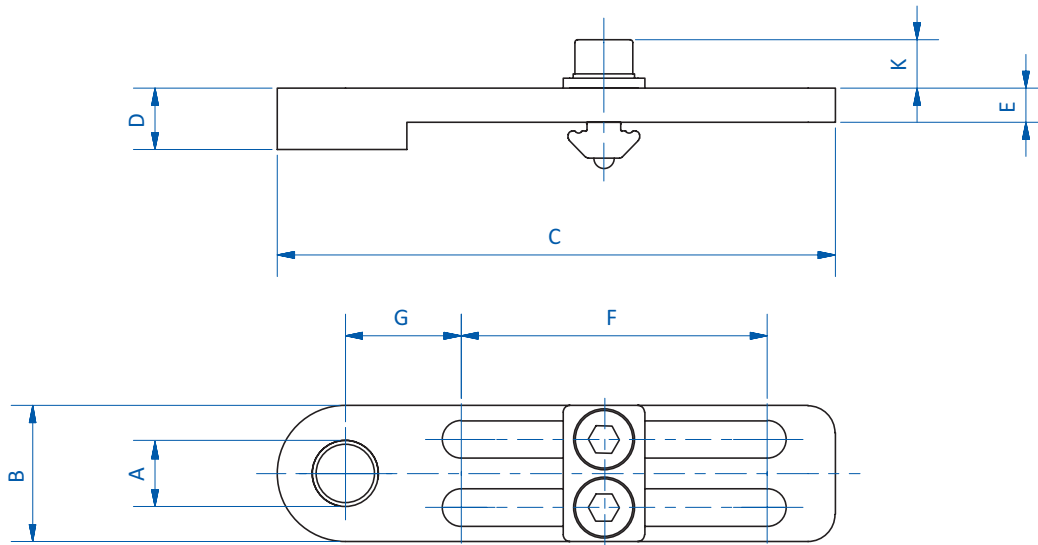
#### Product notes

> Mounting of G1/8, M16 x 1 and M20 x 1.5 suspensions and spring loaded gripper arms to profiles

#### Technical data

Item no.	Suitable for extrusion system	Weight [g]
GR02.230	SLine / MLine	29
GR02.231	SLine / MLine	55
GR02.232	SLine / MLine	63

#### Dimensions



Item no.	A	B [mm]	C [mm]	D [mm]	E [mm]	F [mm]	G [mm]	K [mm]
GR02.230	G1/8	20	82	9	5	45	17	7.1
GR02.231	M16x1	26	99	12	8.5	55	21	7.1
GR02.232	M20x1.5	28	110	12	8.5	65	21	7.1



Parallel clamps



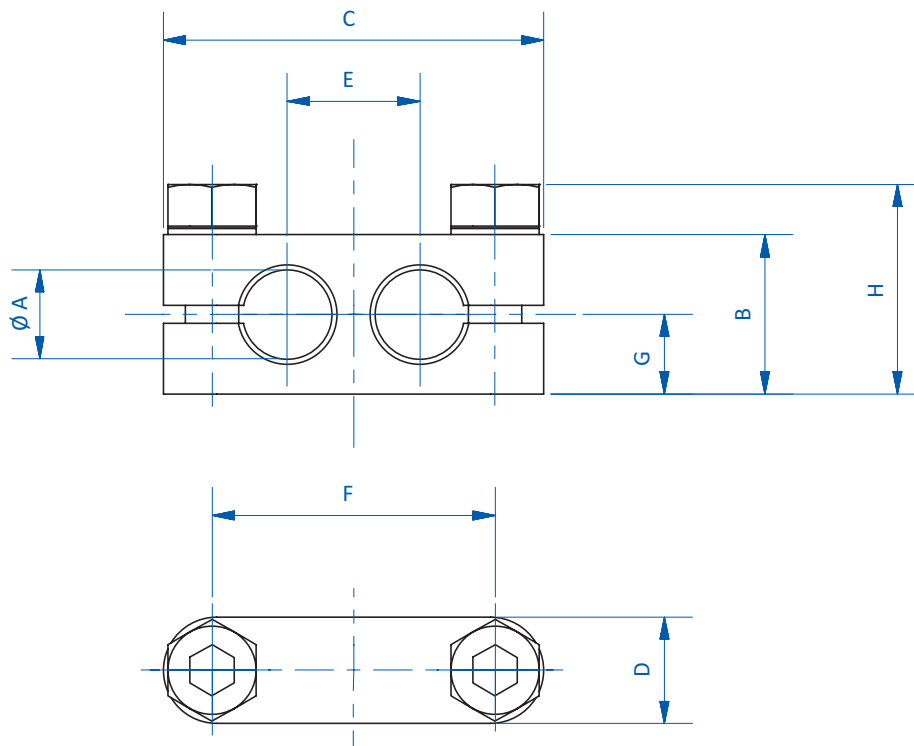
Product notes

> Parallel connection of two clamping shafts

Technical data

Item no.	Weight [g]
GR02.220	30
GR02.221	35
GR02.222	60

Dimensions



Item no.	Ø A [mm]	B [mm]	C [mm]	D [mm]	E [mm]	F [mm]	G [mm]	H [mm]
GR02.220	10	18	43	12	15	32	9	23.7
GR02.221	14	20	52	12	20	41	10	25.7
GR02.222	20	25	64	14	26	53	12.5	30.7



### Cross clamps 90°



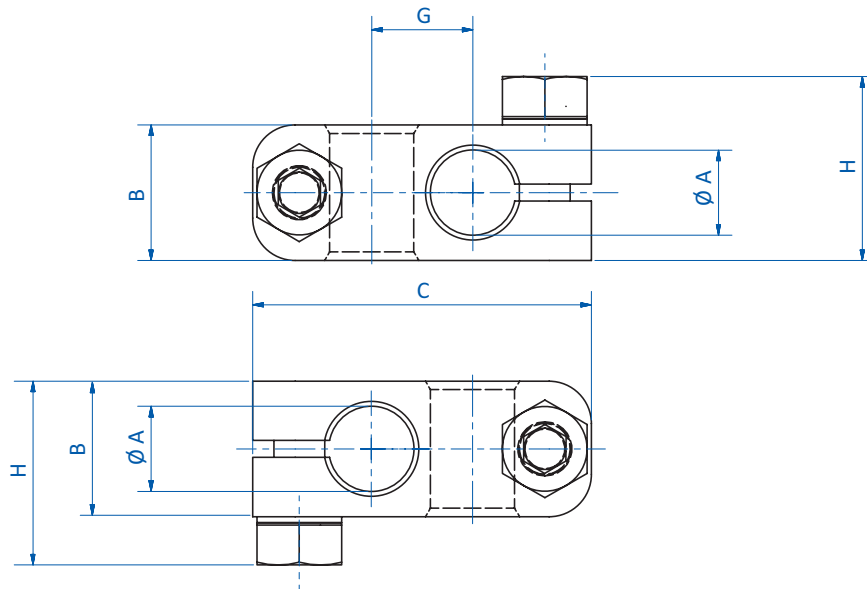
#### Product notes

- > Perpendicular clamping of tubular components
- > Versatile 90° connection of two clamping shafts of the same size

#### Technical data

Item no.	Weight [g]
GR02.210	28
GR02.211	33
GR02.212	58

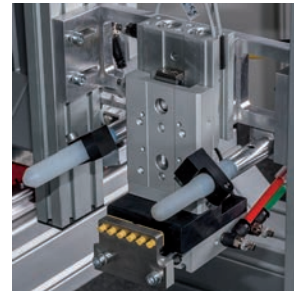
#### Dimensions



Item no.	Ø A [mm]	B [mm]	C [mm]	G [mm]	H [mm]
GR02.210	10	16	40	12	21.7
GR02.211	14	18	48	16	23.7
GR02.212	20	24 - 0	60	22	29.7



Locator pins



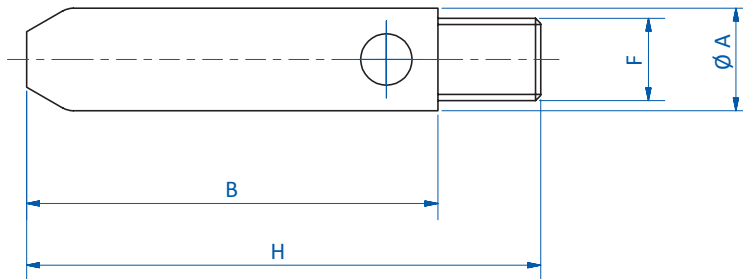
Product notes

- > Alignment of EOAT and locating of parts
- > Locator pins made of POM
- > Compatible with extension tubes

Technical data

Item no.	Weight [g]	Suitable extension tube
GR06.001	4	GR06.020 (p.90)
GR06.002A	22	GR06.021A (p.90)
GR06.003	63	GR06.022 (p.90)

Dimensions



Item no.	F	Ø A [mm]	B [mm]	H [mm]
GR06.001	M8x1	10	40	50
GR06.002A	M12x1	14	85	100
GR06.003	M17x1	20	135	150



### Extension tubes



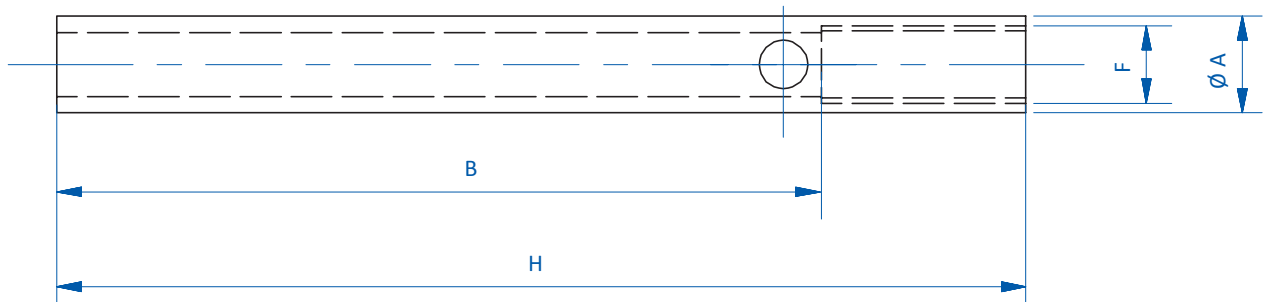
### Product notes

> Compatible with locator pins, finger grippers and sprue grippers

### Technical data

Item no.	Clamping $\phi$ [mm]	Weight [g]	Suitable locator pins
GR06.020	10	10	GR06.001 (p.89)
GR06.021A	14	22	GR06.002A (p.89)
GR06.022	20	28	GR06.003 (p.89)

### Dimensions



Item no.	F	$\phi A$ [mm]	B [mm]	H [mm]
GR06.020	M8x1	10	87	100
GR06.021A	M12x1	14	82	100
GR06.022	M17x1	20	82	100





### Angle connectors for vacuum cups



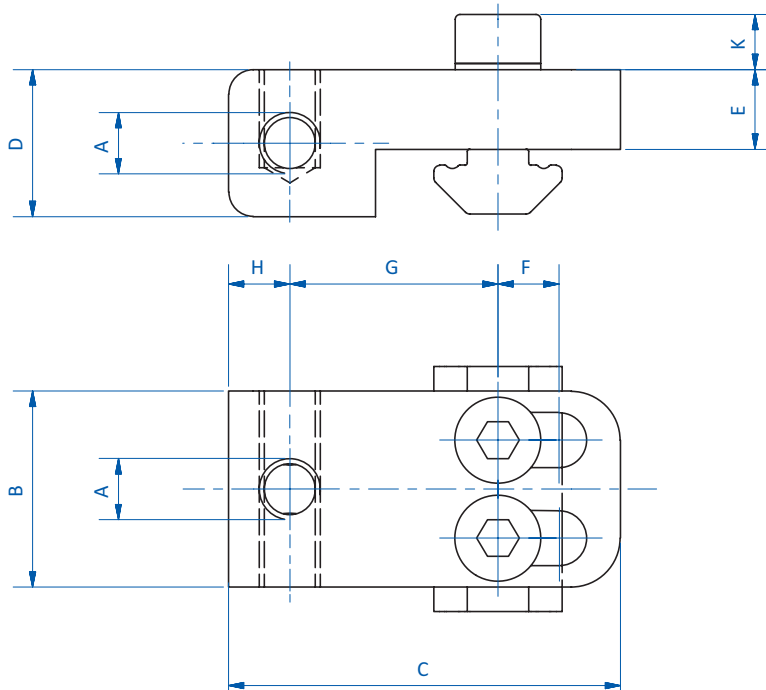
#### Product notes

- > Two vacuum ports
- > Slotted holes allow for use with profiles from 20 mm to 30 mm and 40 mm to 60 mm in size

#### Technical data

Item no.	Suitable for extrusion system	Weight [g]
GR02.030A	SLine / MLine	18
GR02.031A	SLine / MLine	37
GR-XL02.033	XLine	94

#### Dimensions



Item no.	A	B [mm]	C [mm]	D [mm]	E [mm]	F [mm]	G [mm]	H [mm]	K [mm]
GR02.030A	M5	16	32	12	6.5	5	17	5	4.5
GR02.031A	G1/8	25	38	15	6.5	5	20	8	5.6
GR-XL02.033	G1/4	30	60	20	10	10	29	11	8.8



### Long angle connectors for vacuum cups



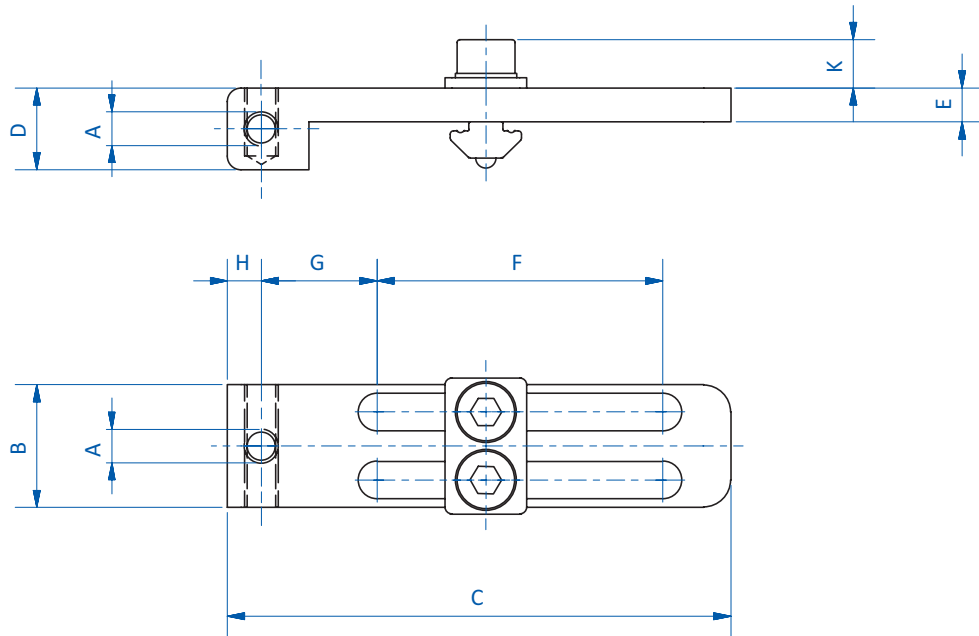
#### Product notes

- > Two vacuum ports
- > Slotted holes allow for adjustment perpendicular to the profile frame

#### Technical data

Item no.	Suitable for extrusion system	Weight [g]
GR02.040	SLine / MLine	44
GR02.041	SLine / MLine	58
GR02.043	SLine / MLine	86

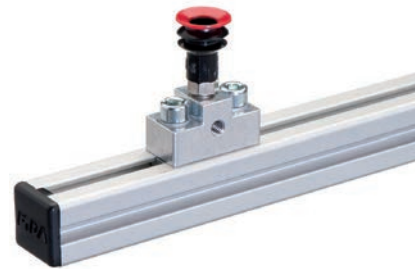
#### Dimensions



Item no.	A	B [mm]	C [mm]	D [mm]	E [mm]	F [mm]	G [mm]	H [mm]	K [mm]
GR02.040	M5	18	74	12	5	42	17	5	7.1
GR02.041	G1/8	25	90	15	8.5	52	20.8	8	7.1
GR02.043	G1/4	30	94	18	8.5	52	22	10	7.1



### Vacuum cup connectors – perpendicular



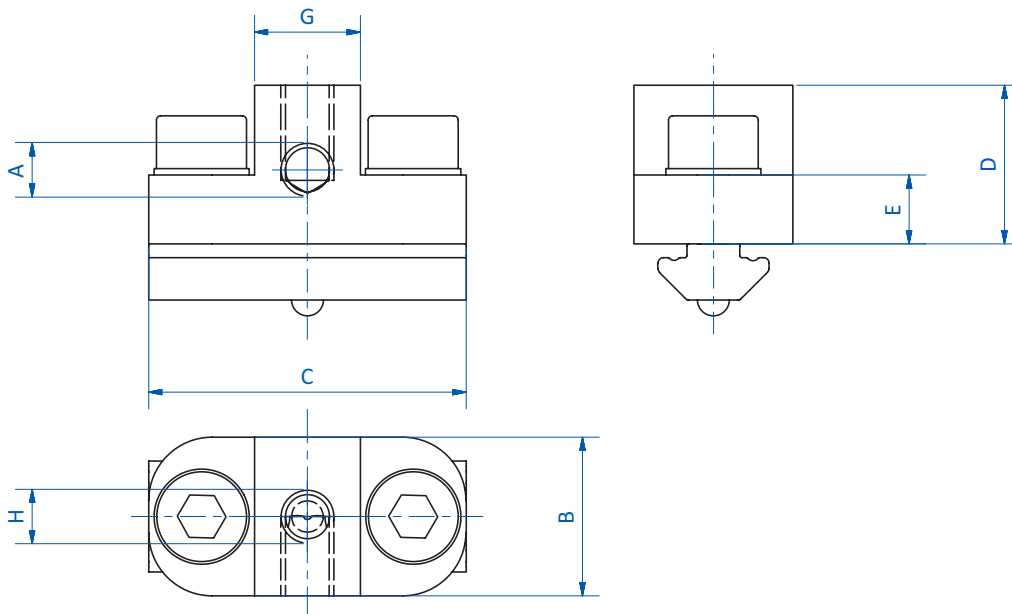
#### Product notes

- > Compact mounting of vacuum cups to profiles

#### Technical data

Item no.	Suitable for extrusion system	Weight [g]
GR02.050	SLine / MLine	24
GR02.051	SLine / MLine	36
GR02.053	SLine / MLine	49

#### Dimensions



Item no.	A	H	B [mm]	C [mm]	D [mm]	E [mm]	G [mm]
GR02.050	M5	M5	15	30	15	6.5	10
GR02.051	G1/8	G1/8	15	40	20	6.5	20
GR02.053	G1/4	G1/4	20	40	25	6.5	20



### Vacuum cup connectors – rotatable 360°



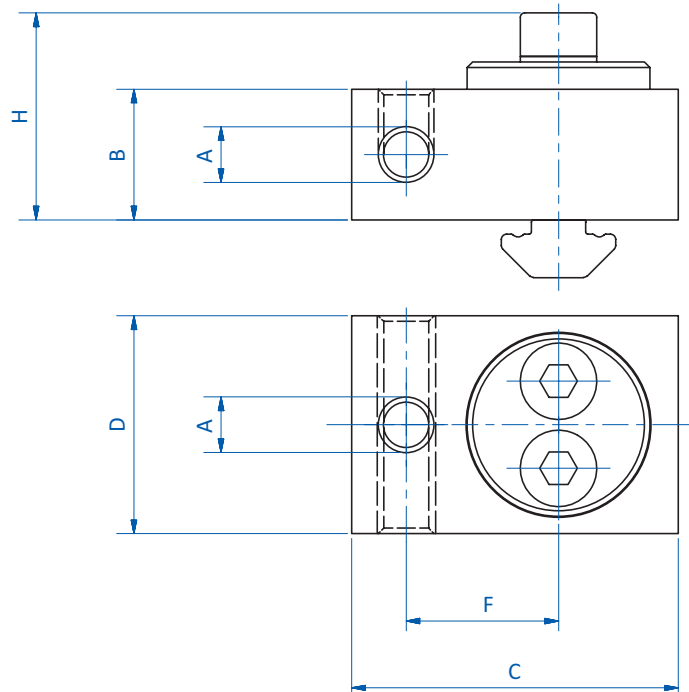
#### Product notes

- > 360° adjustability
- > Two vacuum ports

#### Technical data

Item no.	Suitable for extrusion system	Weight [g]
<b>GR02.060</b>	SLine / MLine	24
<b>GR02.061</b>	SLine / MLine	48
<b>GR02.063</b>	SLine / MLine	69

#### Dimensions



Item no.	A	B [mm]	C [mm]	D [mm]	F [mm]	H [mm]
<b>GR02.060</b>	M5	12	30	20	14	19
<b>GR02.061</b>	G1/8	15	43	25	20	22.1
<b>GR02.063</b>	G1/4	20	45	30	21	25.6



### Vacuum cup connectors – rotatable



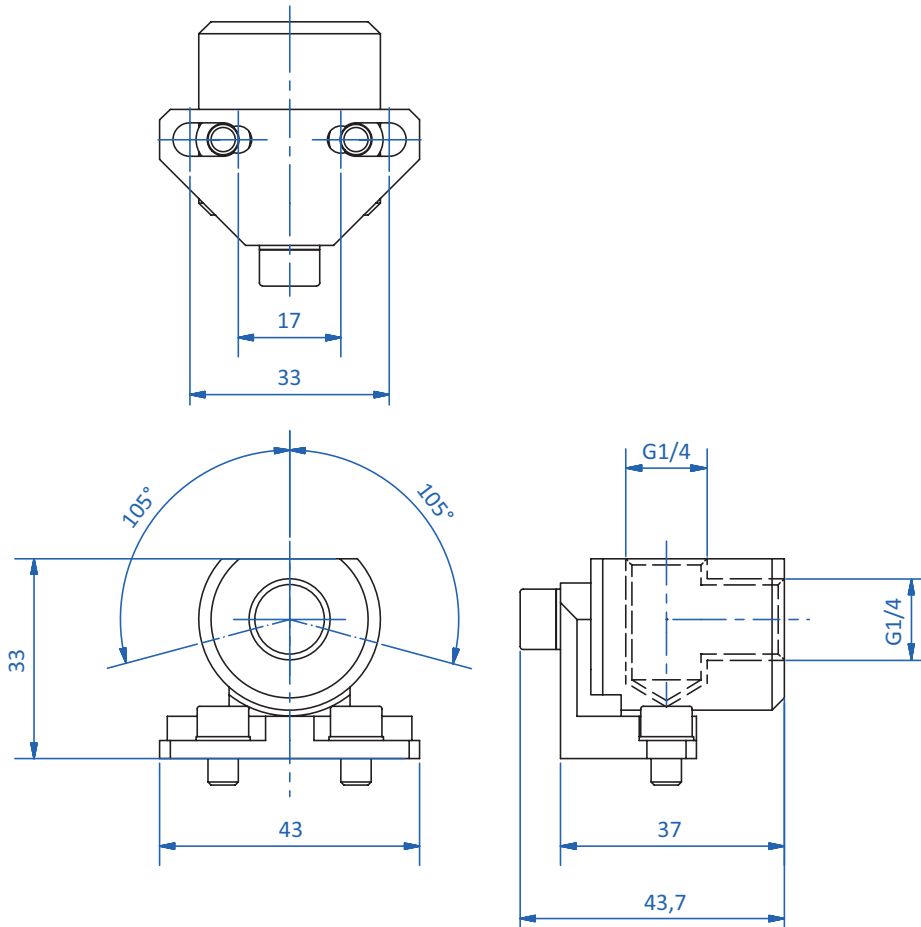
#### Product notes

- > For mounting vacuum cups to profiles or compact cylinders
- > Suitable for all standard compact cylinders (anti-twist) in accordance with ISO 21287 standard

#### Technical data

Item no.	Suitable for extrusion system	Weight [g]
GR07.020	SLine / MLine	79

#### Dimensions





### Air and vacuum manifolds – stackable



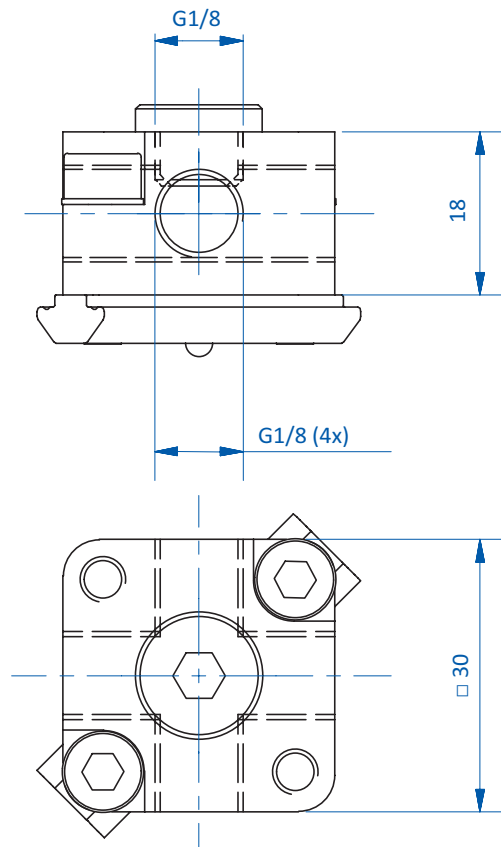
#### Product notes

- > Space-saving distribution of air or vacuum
- > One inlet, four outlets per manifold
- > Can be expanded by stacking additional manifolds
- > When stacking the air manifold, a bore hole with max.  $\varnothing$  7 mm is to be provided in the center of the underside
- > Slot nut, O-ring for sealing and sealing plug included in scope of delivery

#### Technical data

Item no.	Suitable for extrusion system	Weight [g]	Suitable sealing plugs
GR05.001A	SLine / MLine	50	77.009 (p.455)

#### Dimensions





### Air and vacuum manifolds



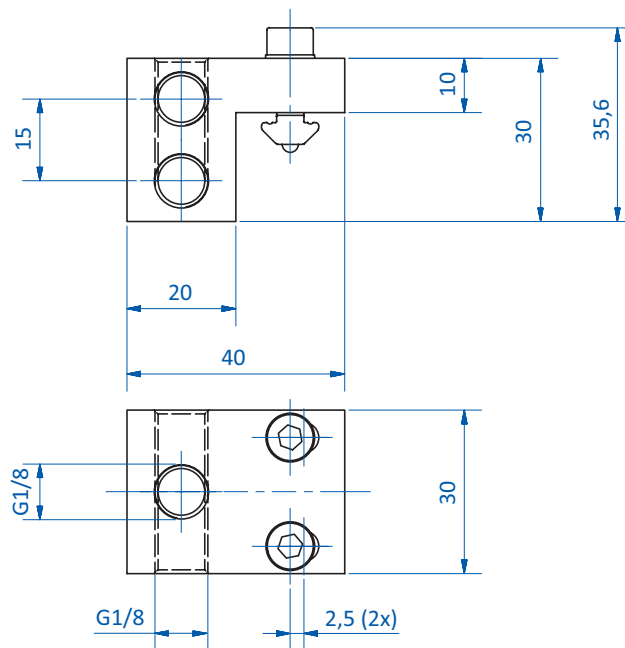
#### Product notes

> Distribution of air or vacuum in gripper systems

#### Technical data

Item no.	Suitable for extrusion system	Circuit	Number of inlets / outlets	Weight [g]	Suitable sealing plugs
<b>GR05.001</b>	SLine / MLine	1	1 inlet, 4 outlets	69	77.009 (p.455)
<b>GR05.002</b>	SLine / MLine	2	Each circuits with 1 inlet, 4 outlets	106	77.009 (p.455)
<b>GR05.003</b>	SLine / MLine	2	Each circuits with 1 inlet, 6 outlets	155	77.009 (p.455) 77.008 (p.455)

#### Dimensions

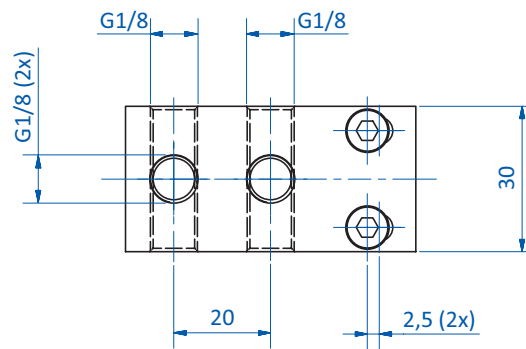
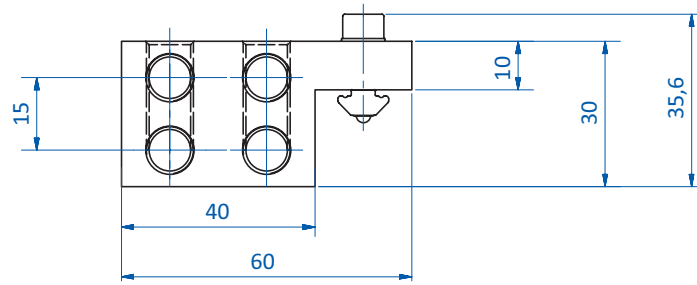


GR05.001

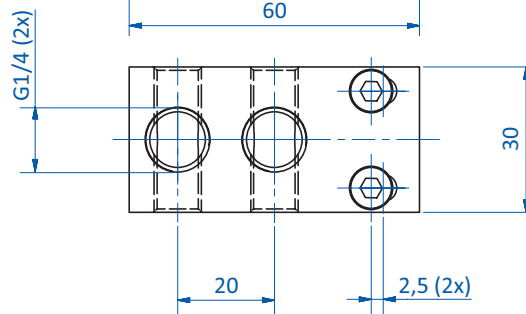
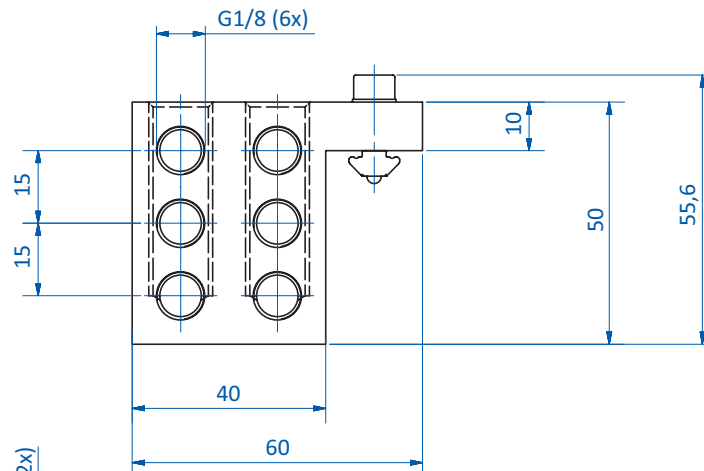
Continued on the next page →



### Dimensions



GR05.002

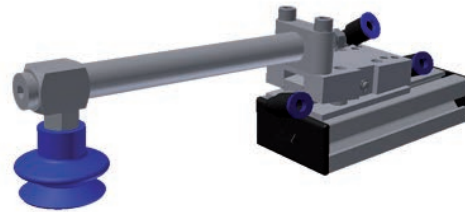


GR05.003





### Swivelling unit – universal, double-acting



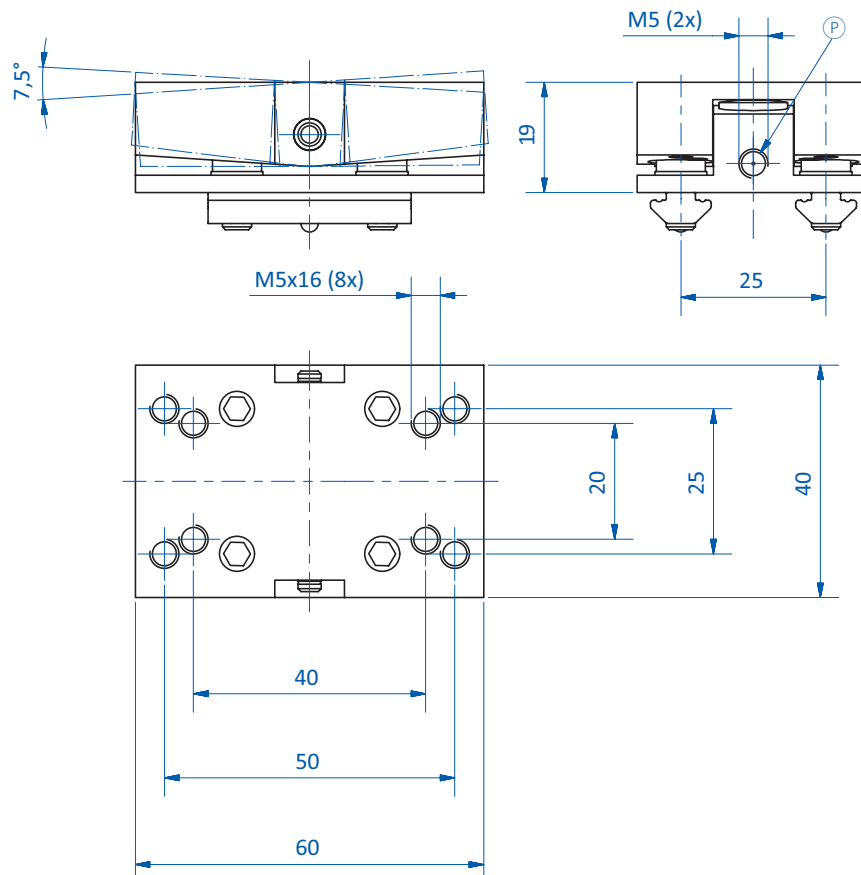
#### Product notes

- > Space-saving lateral application of vacuum cups to the workpiece
- > Double-acting, controlled swivel movement and short duty cycles

#### Technical data

Item no.	Principle of operation	Pressure range [bar (psi)]	Angle stroke [°]	Weight [g]
GR02.300	Double-acting	2 - 8 (29 - 116)	7.5	120

#### Dimensions



Ⓟ = Compressed air connection



### Pneumatic centering units



**STRONG HOLDING FORCE**

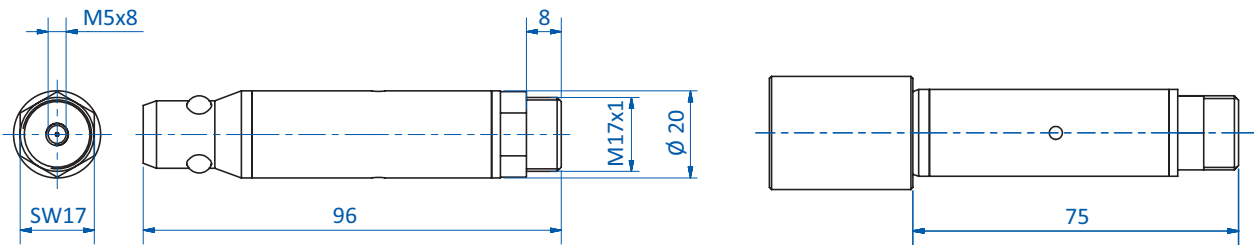
#### Product notes

- > Single-acting centering element for high-precision demolding
- > Strong holding force in the coupled system
- > Guiding sleeve embedded in the mold
- > Optional position monitoring (locked/unlocked) via PNP/NPN sensors
- > Sensor is fixed to centering unit via mounting bracket GR07.520S clamping diameter 20 mm
- > PNP and NPN sensors: C-Nut, straight: GR04.198, GR04.198/NPN

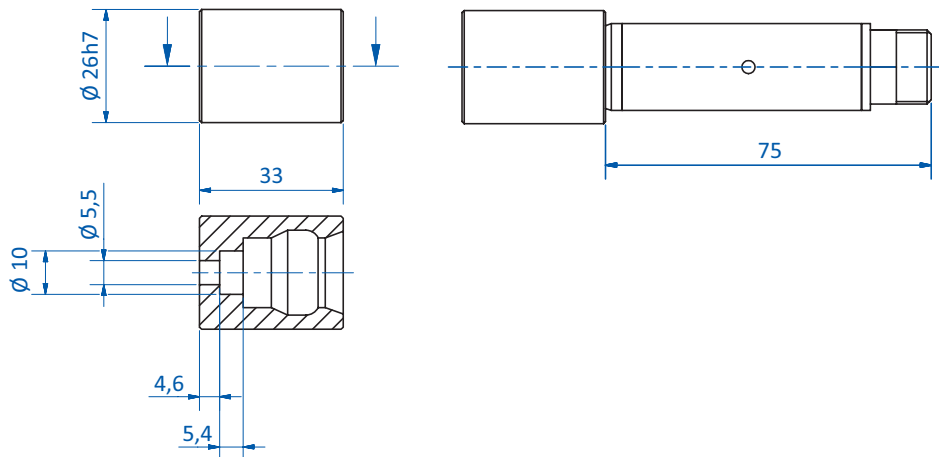
#### Technical data

Item no.	Description	Holding force at 6 bar (87 psi) [N]	Accessories
<b>GR07.520</b>	Centering unit	750	Sensor: GR04.198 (p.404) Sensor: GR04.198/NPN (p.404) Sensor mounting bracket: GR07.520S (p.101)
<b>GR07.521</b>	Guiding sleeve	--	--

#### Dimensions



GR07.520



GR07.521



### Sensor mounting bracket for centering unit



Display with centering unit

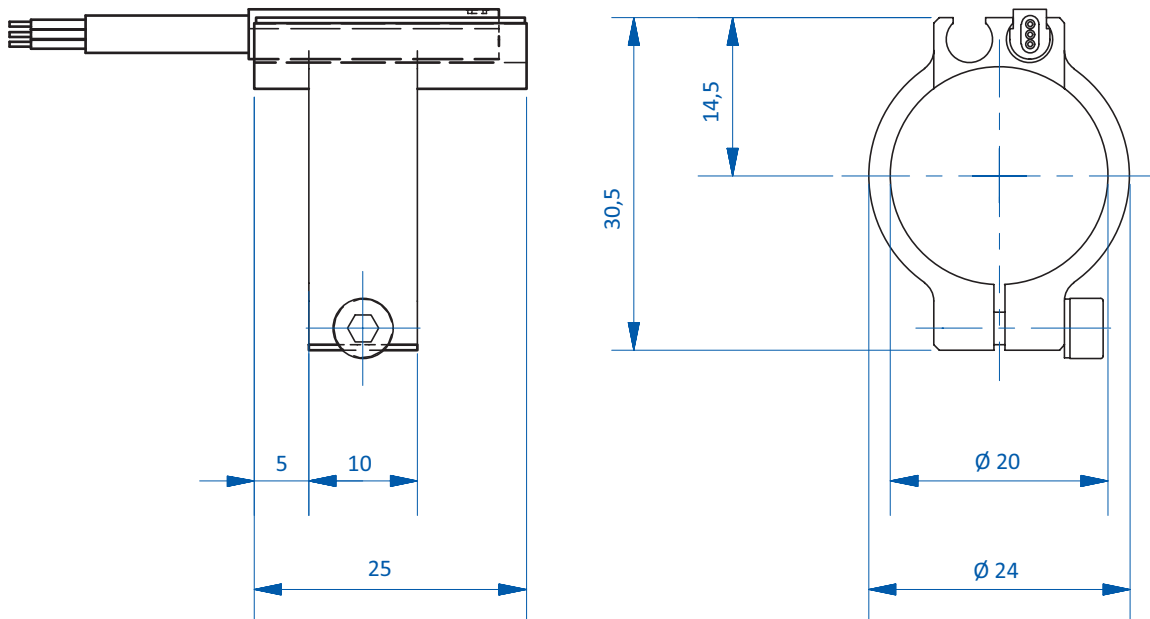
#### Product notes

- > Mounting bracket for monitoring locking stage (locked/unlocked)

#### Technical data

Item no.	Suitable for sensor	Suitable for centering unit	Weight [g]
<b>GR07.520S</b>	GR04.198, GR04.198/NPN	GR07.520	7

#### Dimensions





### Clamps for Plate-based EOAT



SUITABLE FOR PLATE-BASED EOAT

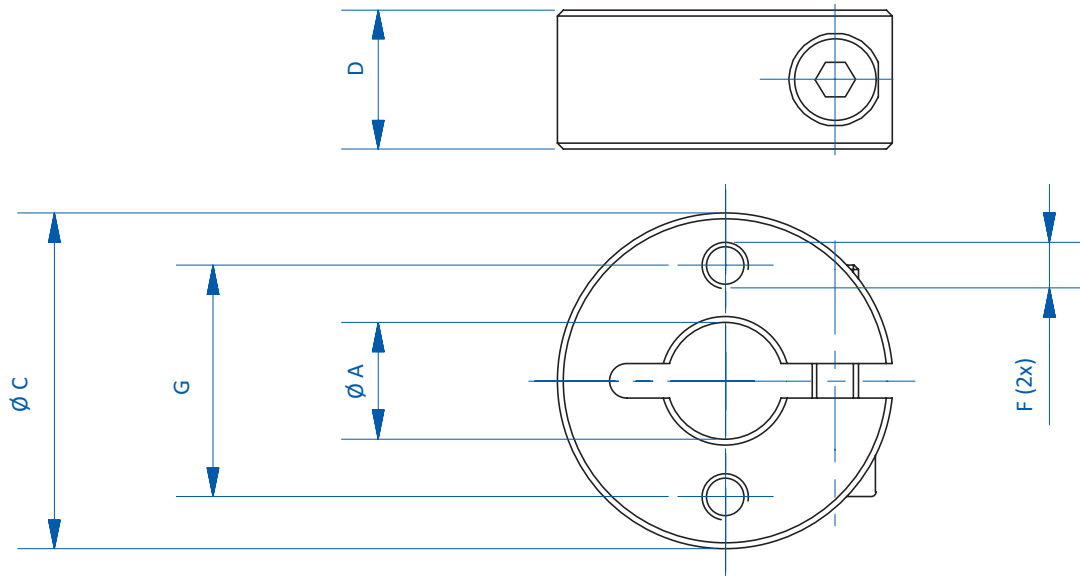
#### Product notes

> Clamps for mounting gripper components to plate-based EOAT

#### Technical data

Item no.	Weight [g]
GR06.060	16
GR06.061	24
GR06.062	82
GR06.063	138

#### Dimensions



Item no.	Ø A [mm]	F	G [mm]	Ø C [mm]	D [mm]
GR06.060	10	M4	20	29	12
GR06.061	14	M5	25	34	15
GR06.062	20	M6	32	49	22.5
GR06.063	30	M8	45	59	30

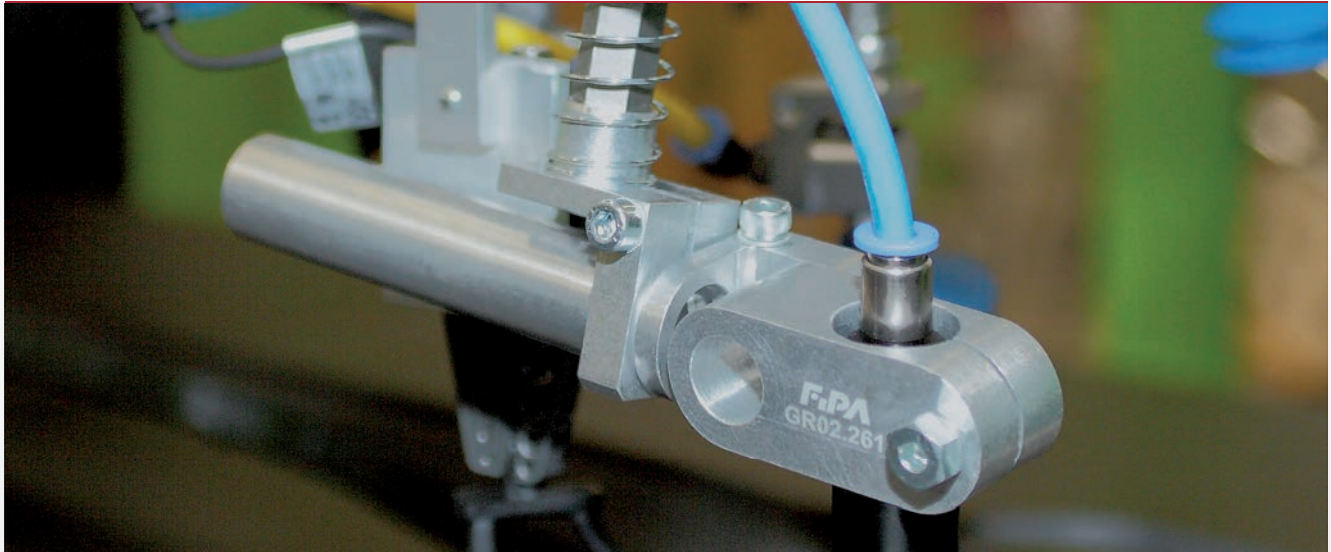
Gripper arms at a glance ..... 104

Angle arms ..... 105

Suction fingers ..... 112



## FIPA Gripper arms



### Angle arms, elbow or rigid

- > Elements for integration of gripper components
- > Secure clamping even under high load

#### GR03.160 - GR03.165

- > Spring loaded elbow, rotatable, torsionally rigid
- > Compensates stroke when product is ejected from sprue mold
- > Precise function even with angular loads



#### GR02.070A - GR02.100

- > Rigid arms

#### GR02.240 - GR02.262

- > Modular elbow, heavy duty
- > Clamping heads can be exchanged with suction heads of GR03.240–GR03.262

> See page 105



### Arms for vacuum cups, elbow or rigid

- > Elements for integration of vacuum cups in gripper systems

#### GR03.120B - GR03.153B

- > Spring loaded elbow, torsionally rigid
- > Compensates stroke when product is ejected from sprue mold
- > Precise function even with angular loads



#### GR03.080A - GR03.115

- > Spring-loaded, rigid arms, torsionally rigid

#### GR03.240 - GR03.262

- > Modular, heavy duty
- > Suction heads can be exchanged with clamping heads of GR02.240 - GR02.262

> See page 112



Angle arms – rigid



Product notes

> Components for mounting grippers, gripper fingers or gripper arms

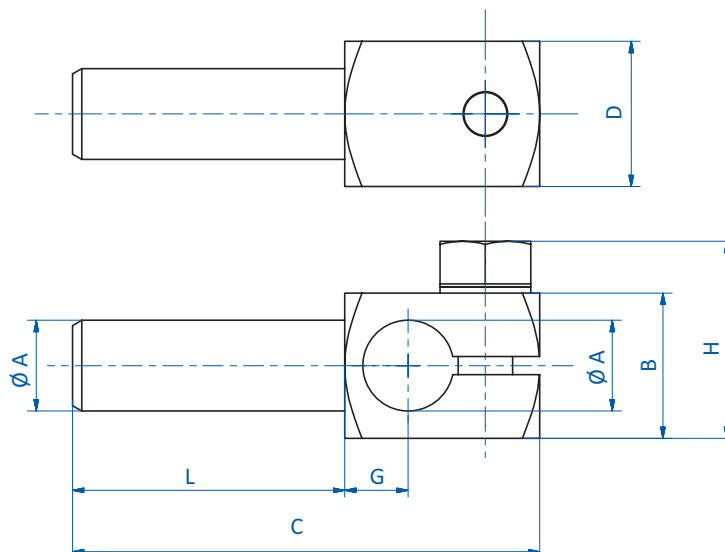
Technical data

Item no.	Weight [g]
GR02.070A	20
GR02.071A	24
GR02.072A	28
GR02.083	36
GR02.084	45
GR02.085	52
GR02.100	61
GR02.101A	80
GR02.102A	95
GR02.104	137
GR02.105	171
GR02.106	205
GR02.107	239

Dimensions

$\varnothing A$ [mm]	B [mm]	C [mm]	D [mm]	G [mm]	H [mm]	L [mm]
10	16	51	16	7	21.7	30
10	16	81	10	7	21.7	60
10	16	111	16	7	21.7	90
14	18	70.5	20	9.5	23.7	45
14	18	115.5	20	9.5	23.7	90
14	18	155.5	20	9.5	23.7	130
20	24	84	25	13	29.7	50
20	24	134	25	13	29.7	100
20	24	184	25	13	29.7	150
30	36	98	30	21	42.3	50
30	36	148	30	21	42.3	100
30	36	198	30	21	42.3	150
30	36	248	30	21	42.3	200

Dimensions





# Gripper arms | Angle arms

Elbow arms – adjustable

## Elbow arms – adjustable



### Product notes

- > Components for mounting grippers, gripper fingers or gripper arms
- > Angle adjustment +/- 95°

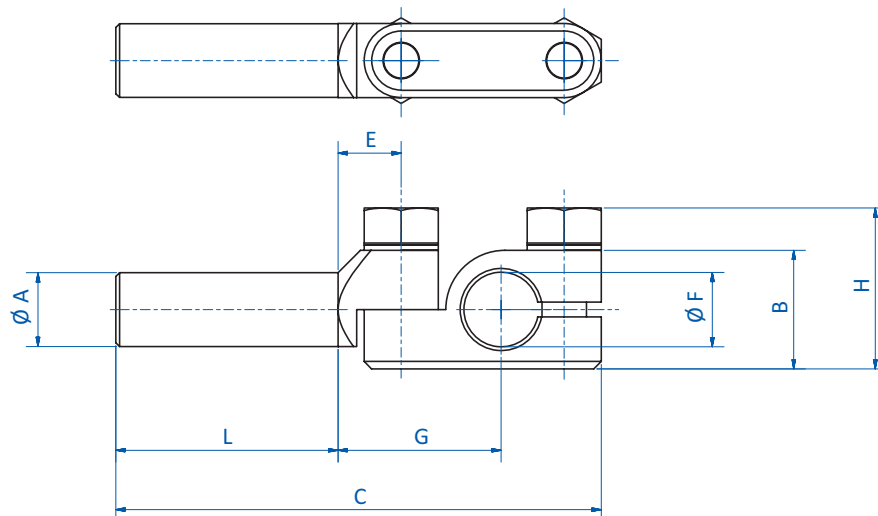
### Technical data

Item no.	Weight [g]
GR02.140	36
GR02.141	40
GR02.142	45
GR02.180	42
GR02.181	51
GR02.182	59
GR02.153	60
GR02.154	68
GR02.155	78
GR02.170	87
GR02.171	103
GR02.172	120

### Dimensions

$\varnothing A$ [mm]	$\varnothing F$ [mm]	B [mm]	C [mm]	E [mm]	G [mm]	H [mm]	L [mm]
10	10	16	65.5	8.5	22	21.7	30
10	10	16	95.5	8.5	22	21.7	60
10	10	16	125.5	8.5	22	21.7	90
14	10	16	90	10	27	21.7	45
14	10	16	135	10	27	21.7	90
14	10	16	175	10	27	21.7	130
14	14	18	90	10	27	23.7	45
14	14	18	135	10	27	23.7	90
14	14	18	175	10	27	23.7	130
20	20	24	111	17	40	29.7	50
20	20	24	161	17	40	29.7	100
20	20	24	211	17	40	29.7	150

### Dimensions







### Elbow arms – adjustable, heavy duty



#### Product notes

- > Components for mounting grippers, gripper fingers or gripper arms
- > Secure clamping under heavy load
- > Angle adjustment +/- 100°
- > Heads are interchangeable with the heads of suction fingers GR03.240 - GR03.242, GR03.250 - GR03.252 und GR03.260 - GR03.262

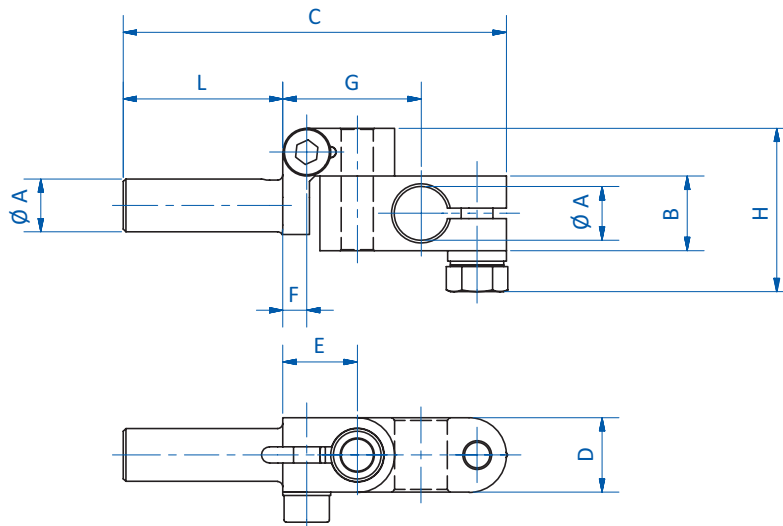
#### Technical data

Item no.	Weight [g]
GR02.240	29
GR02.241	32
GR02.242	35
GR02.250	50
GR02.251	58
GR02.252	66
GR02.260	89
GR02.261	104
GR02.262	119

#### Dimensions

$\varnothing A$ [mm]	B [mm]	C [mm]	D [mm]	E [mm]	F [mm]	G [mm]	H [mm]	L [mm]
10	14	72	14	14	4.5	26	30.7	30
10	14	102	14	14	4.5	26	30.7	60
10	14	132	14	14	4.5	26	30.7	90
14	18	97	18	16	4.5	34	32.7	45
14	18	142	18	16	4.5	34	32.7	90
14	18	182	18	16	4.5	34	32.7	130
20	24	116	24	19	4.5	43	38.7	50
20	24	166	24	19	4.5	43	38.7	100
20	24	216	24	19	4.5	43	38.7	150

#### Dimensions





# Gripper arms | Angle arms

Rotary heads for angle arms  $\varnothing$  30 mm – heavy duty

## Rotary heads for angle arms $\varnothing$ 30 mm – heavy duty



Rotary head GR02.270 with angle arm GR02.104

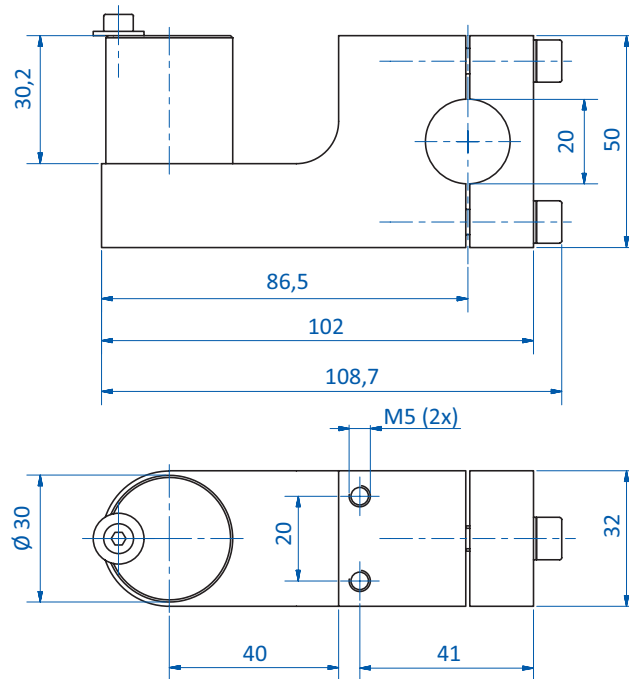
### Product notes

- > Rotary heads for angle arms with shaft diameter 30 mm
- > Integration of gripper elements with clamping diameter 20 mm or 30 mm
- > Secure clamping even under heavy load
- > Pivoting range 0° to ~130°, can be freely adjusted in two directions
- > Please order your combination of gripper arm and rotary head

### Technical data

Item no.	Clamping $\varnothing$ [mm]	Weight [g]	Suitable for angle arms
GR02.270	20	332	GR02.104, GR02.105, GR02.106, GR02.107
GR02.273	30	319	GR02.104, GR02.105, GR02.106, GR02.107

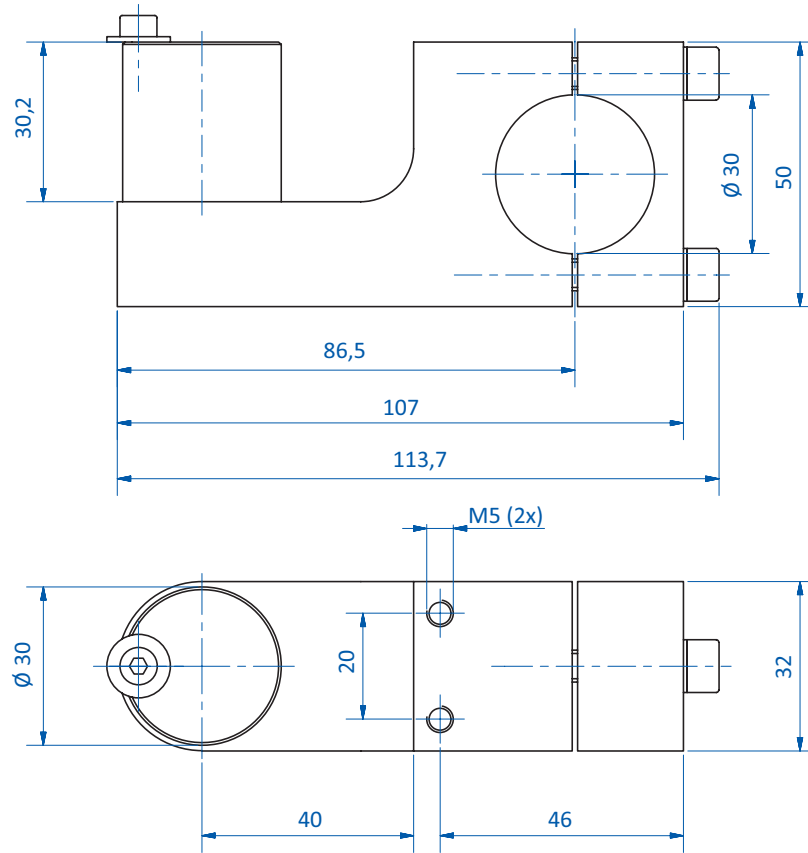
### Dimensions



GR02.270



## Dimensions



GR02.273



# Gripper arms | Angle arms

Elbow arms – spring compensated and non-rotating

## Elbow arms – spring compensated and non-rotating



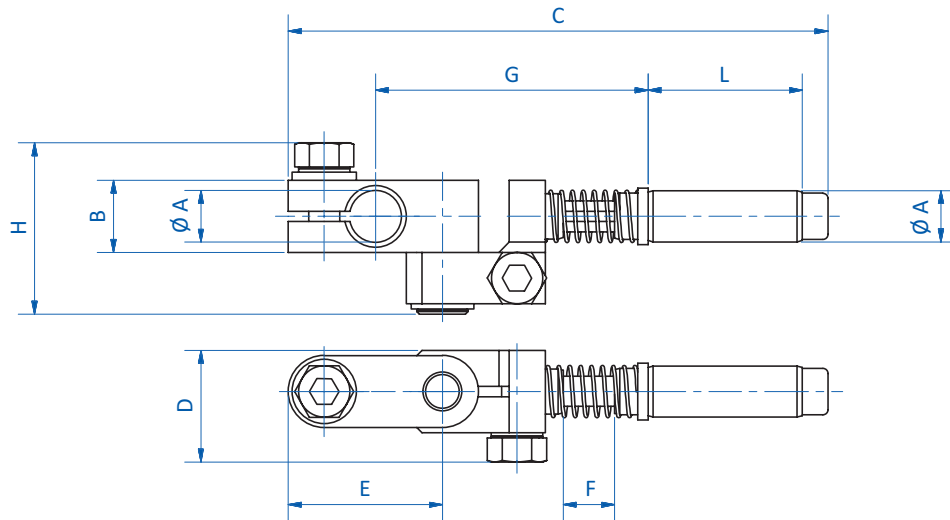
### Product notes

- > Components for mounting grippers, gripper fingers or gripper arms
- > Spring compensates for variation in ejection stroke
- > Angle adjustment +/- 130°
- > Smooth motion due to lubrication-free polymer bearing

### Technical data

Item no.	Stroke [mm]	Weight [g]
GR03.160	10	60
GR03.161	20	65
GR03.162	15	125
GR03.163	35	134
GR03.164	20	288
GR03.165	40	310

### Dimensions

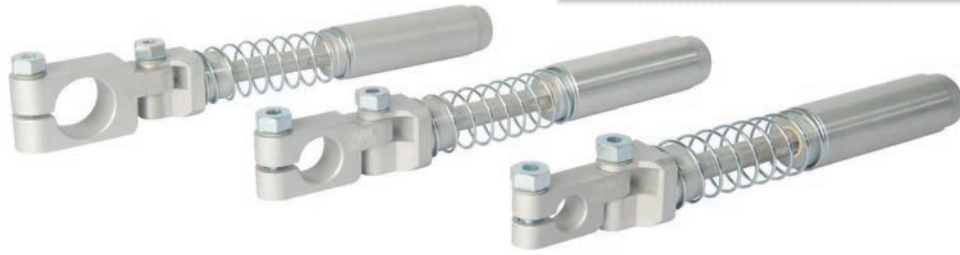


Item no.	Ø A [mm]	B [mm]	C [mm]	D [mm]	E [mm]	F [mm]	G [mm]	H [mm]	L [mm]
GR03.160	10	14	105	21.7	30	10	53	33.3	30
GR03.161	10	14	115	21.7	30	20	63	33.3	30
GR03.162	14	20	133	24.7	37.5	15	69.5	37.7	35
GR03.163	14	20	153	24.7	37.5	35	89.5	37.7	35
GR03.164	20	25	179.5	30.7	52	20	87.5	42.7	55
GR03.165	20	25	199.5	30.7	52	40	107.5	42.7	55



## Elbow arms with sliding bush – spring compensated, adjustable and non-rotating

PRECISE FUNCTIONING EVEN UNDER HIGH LOAD



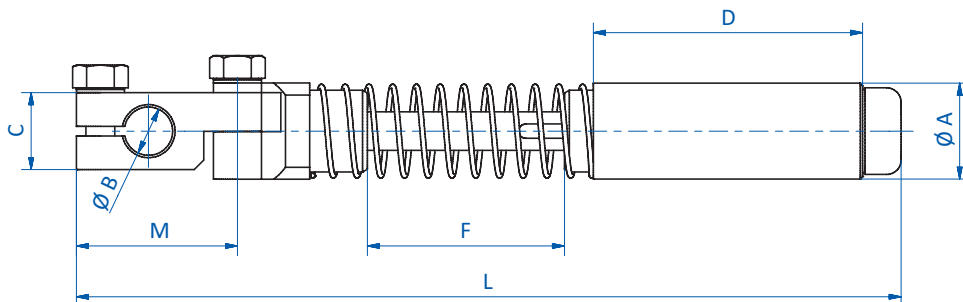
### Product notes

- > Elements for connecting grippers
- > Guiding through sliding bushes for high precision by absorbing lateral forces and moments
- > Spring compensates for variation in ejection stroke

### Technical data

Item no.	Suitable for grippers with clamping $\varnothing$ [mm]	Stroke [mm]	Weight [g]
GR03.202	10	40	104
GR03.203	14	40	111
GR03.204	20	40	122

### Dimensions



Item no.	$\varnothing A$ [mm]	$\varnothing B$ [mm]	C [mm]	D [mm]	F [mm]	L [mm]	M [mm]
GR03.202	20	10	16	55.5	40	171.5	33.5
GR03.203	20	14	20	55.5	40	177.5	39.5
GR03.204	20	20	25	55.5	40	185.5	47.5



# Gripper arms | Suction fingers

Suction fingers for vacuum cups – rigid

## Suction fingers for vacuum cups – rigid



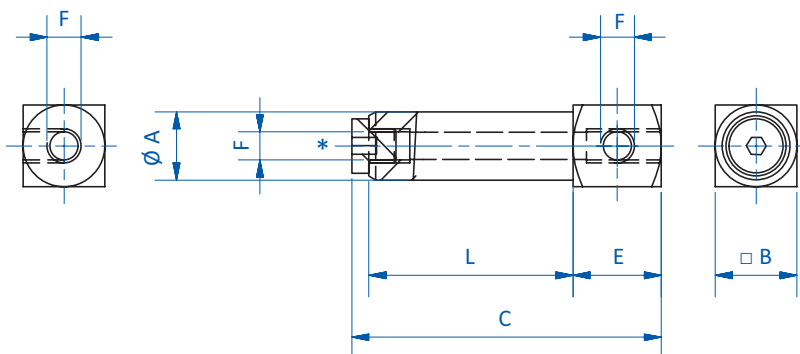
### Product notes

- > Components for mounting vacuum cups
- > Two vacuum ports

### Technical data

Item no.	Weight [g]	Dimensions							
		$\varnothing A$ [mm]	F	G	H	$\square B$ [mm]	E [mm]	C [mm]	L [mm]
GR03.001A	11	10	M5	--	--	12	13	45.5	30
GR03.002A	16	10	M5	--	--	12	13	75	60
GR03.003A	22	10	M5	--	--	12	13	105	90
GR03.010A	27	14	G1/8	--	--	16	20	67.5	45
GR03.011A	39	14	G1/8	--	--	16	20	112.5	90
GR03.012A	49	14	G1/8	--	--	16	20	152.5	130
GR03.036	64	20	G1/4	G1/8	G1/8	22	23	75.5	50
GR03.037	100	20	G1/4	G1/8	G1/8	22	23	125	100
GR03.038	137	20	G1/4	G1/8	G1/8	22	23	175.5	150
GR03.039	203	30	G1/4	--	G1/4	30	30	230	200

### Dimensions

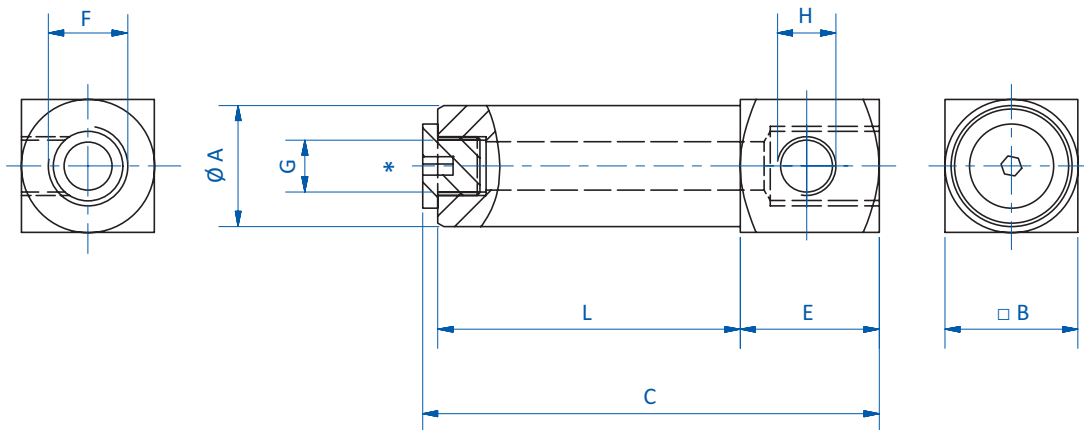


GR03.001A | GR03.002A | GR03.003A | GR03.010A | GR03.011A | GR03.012A

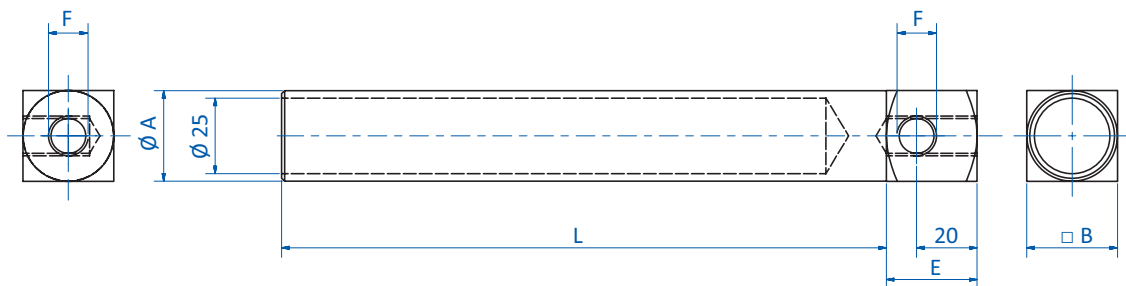
\* = Alternative vacuum connection



## Dimensions



GR03.036 | GR03.037 | GR03.038



GR03.039

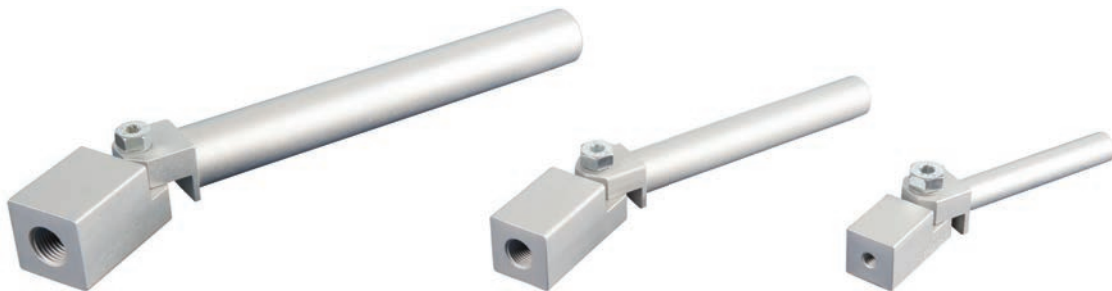
\* = Alternative vacuum connection



# Gripper arms | Suction fingers

Suction fingers for vacuum cups – adjustable

## Suction fingers for vacuum cups – adjustable



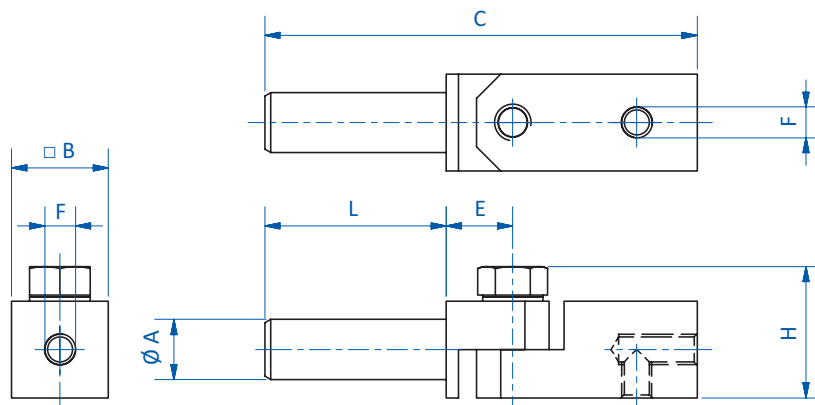
### Product notes

- > Components for mounting vacuum cups
- > Angle adjustment +/- 90°

### Technical data

Item no.	Weight [g]	Dimensions							
		Ø A [mm]	F	B [mm]	C [mm]	E [mm]	H [mm]	L [mm]	
GR03.040A	35	10	M5	16	66.5	11	21.7	30	
GR03.041A	38	10	M5	16	101.5	11	21.7	60	
GR03.042A	43	10	M5	16	131.5	11	21.7	90	
GR03.050A	58	14	G1/8	20	99	13	23.7	45	
GR03.051A	69	14	G1/8	20	144	13	23.7	90	
GR03.052A	78	14	G1/8	20	184	13	23.7	130	
GR03.070A	72	20	G1/8	20	106	15	25.7	50	
GR03.071A	87	20	G1/8	20	156	15	25.7	100	
GR03.072A	103	20	G1/8	20	206	15	25.7	150	
GR03.073A	93	20	G1/4	25	108	15	28.2	50	
GR03.074A	106	20	G1/4	25	158	15	28.2	100	
GR03.075A	123	20	G1/4	25	208	15	28.2	150	

### Dimensions







### Suction fingers – adjustable



#### Product notes

- > Adjustable head for mounting and aligning vacuum cups with part contours
- > Angle adjustment +/- 100°
- > Up to 50 % less weight compared to standard version
- > Heads are interchangeable with the heads of elbow arms GR02.240 - GR02.242, GR02.250 - GR02.252, GR02.260 - GR02.262

#### Technical data

Item no.	Weight [g]
GR03.240	15
GR03.241	18
GR03.242	21
GR03.250	29
GR03.251	37
GR03.252	46
GR03.260	57
GR03.261	71
GR03.262	86

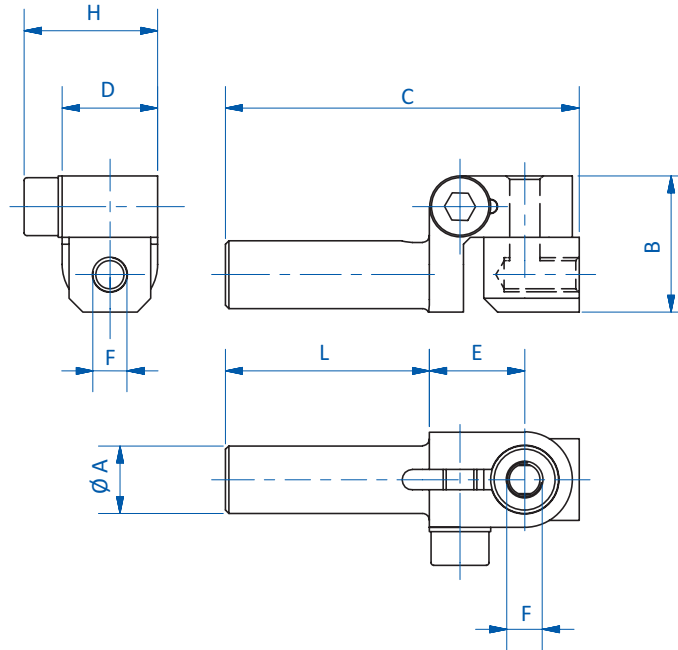
Continued on the next page →



# Gripper arms | Suction fingers

Suction fingers – adjustable

## Dimensions



Item no.	Ø A [mm]	F	B [mm]	C [mm]	D [mm]	E [mm]	H [mm]	L [mm]
GR03.240	10	M5	20	52	14	14	19.6	30
GR03.241	10	M5	20	82	14	14	19.6	60
GR03.242	10	M5	20	112	14	14	19.6	90
GR03.250	14	G1/8	28	71	18	16	23.6	45
GR03.251	14	G1/8	28	116	18	16	23.6	90
GR03.252	14	G1/8	28	156	18	16	23.6	130
GR03.260	20	G1/4	33	82	24	19	29.6	50
GR03.261	20	G1/4	33	132	24	19	29.6	100
GR03.262	20	G1/4	33	182	24	19	29.6	150



## Spring compensated gripper arm for vacuum cups



### Product notes

- > Spring compensates for variation in ejection stroke
- > Smooth motion due to lubrication-free polymer bearing
- > Only for round vacuum cups

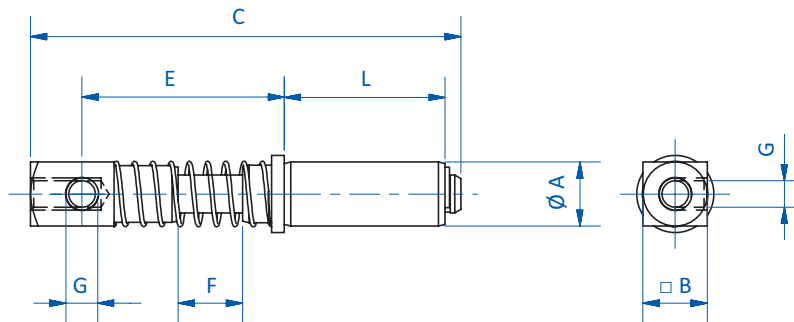
### Technical data

Item no.	Stroke [mm]	Weight [g]
GR03.080A	10	18
GR03.081A	20	18
GR03.090A	15	45
GR03.091A	35	48
GR03.114	20	127
GR03.115	40	136

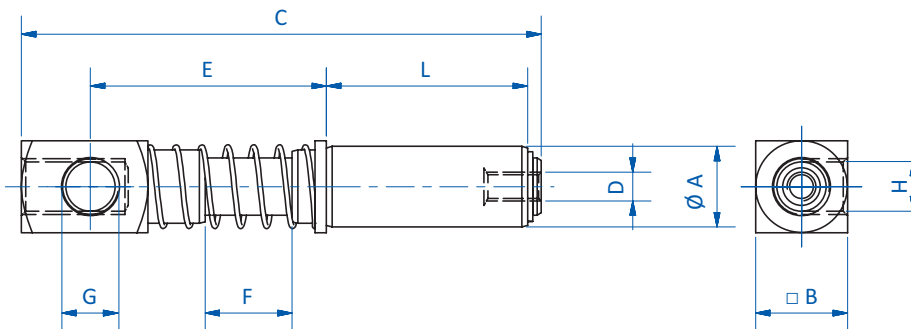
### Dimensions

$\varnothing A$ [mm]	G	H	D	$\square B$ [mm]	C [mm]	E [mm]	F [mm]	L [mm]
10	M5	M5	--	10	67	31.5	10	25
10	M5	M5	--	10	77	41.5	20	25
14	G1/8	G1/8	M5	16	92.5	41.1	15.1	35
14	G1/8	G1/8	M5	16	112.5	61.1	35.1	35
20	G1/8	G1/4	G1/8	20	127.5	50	20	55
20	G1/8	G1/4	G1/8	20	147.5	70	40	55

### Dimensions



GR03.080A | GR03.081A



GR03.090A | GR03.091A | GR03.114 | GR03.115



# Gripper arms | Suction fingers

Spring compensated gripper arm for vacuum cups – non-rotating

## Spring compensated gripper arm for vacuum cups – non-rotating



### Product notes

- > Spring compensates for variation in ejection stroke
- > Smooth motion due to lubrication-free polymer bearing
- > Suitable for round, oval and rectangular vacuum cups
- > Lateral vacuum port or at the end

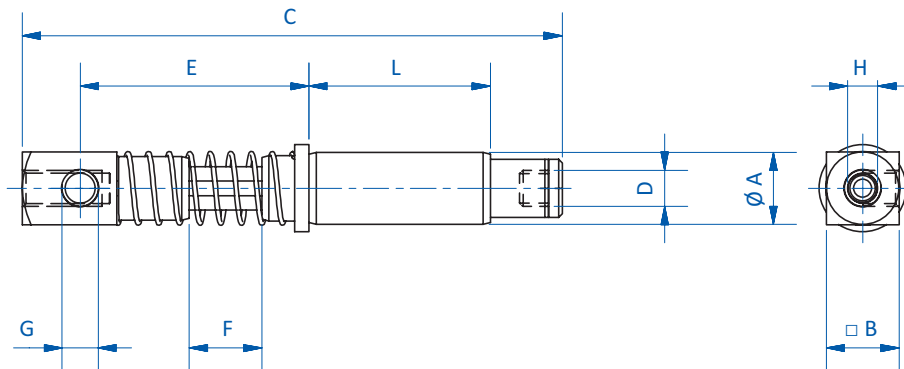
### Technical data

Item no.	Stroke [mm]	Weight [g]
GR03.080T	10	17
GR03.081T	20	18
GR03.090T	15	44
GR03.091T	35	48
GR03.114T	20	129
GR03.115T	40	137

### Dimensions

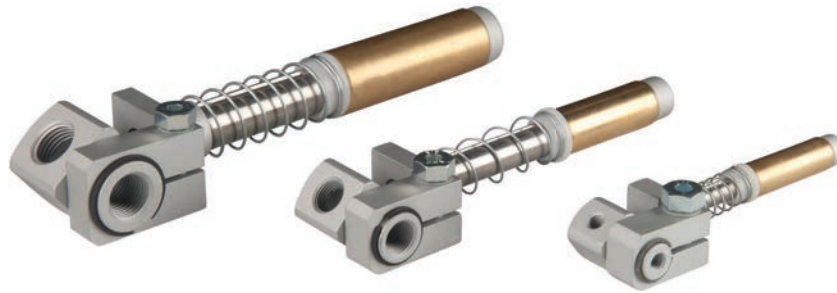
$\varnothing A$ [mm]	G	H	D	$\square B$ [mm]	C [mm]	E [mm]	F [mm]	L [mm]
10	M5	M5	M5	10	75	31.5	10	25
10	M5	M5	M5	10	85	41.5	20	25
14	G1/8	G1/8	M5	16	98.5	41.1	15	35
14	G1/8	G1/8	M5	16	118.5	61	35	35
20	G1/8	G1/4	G1/8	20	137.5	50	20	55
20	G1/8	G1/4	G1/8	20	157	70	40	55

### Dimensions





### Spring compensated suction fingers for vacuum cups – non-rotating



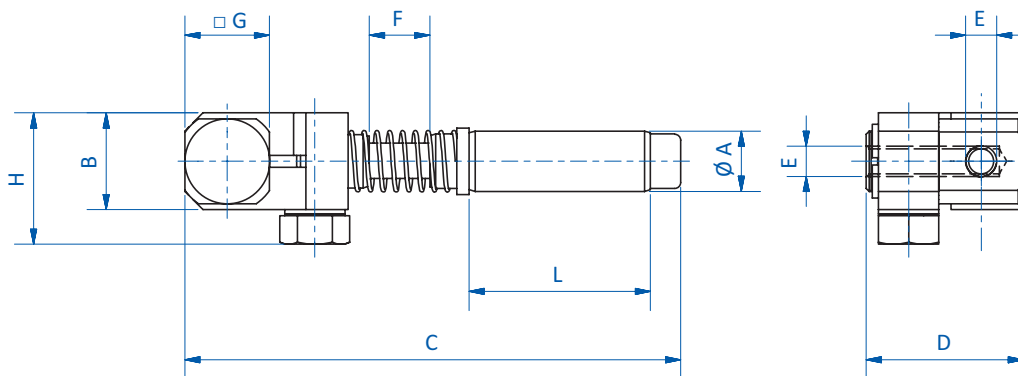
#### Product notes

- > Adjustable head for mounting and aligning vacuum cups with part contours
- > Spring compensates for variation in ejection stroke
- > Smooth motion due to lubrication-free polymer bearing
- > Angle adjustment +/- 120°

#### Technical data

Item no.	Stroke [mm]	Weight [g]
GR03.120B	10	35
GR03.121B	20	37
GR03.130B	15	75
GR03.131B	35	84
GR03.152B	20	207
GR03.153B	40	229

#### Dimensions



Item no.	∅ A [mm]	E	B [mm]	C [mm]	D [mm]	F [mm]	∅ G [mm]	H [mm]	L [mm]
GR03.120B	10	M5	16	82	26	10	14	21.7	30
GR03.121B	10	M5	16	92	26	20	14	21.7	30
GR03.130B	14	G1/8	19	104.5	32.5	15	18	24.7	35
GR03.131B	14	G1/8	19	124.5	32.5	35	18	24.7	35
GR03.152B	20	G1/4	25	139.5	37.5	20	24	30.7	55
GR03.153B	20	G1/4	25	159.5	37.5	40	24	30.7	55

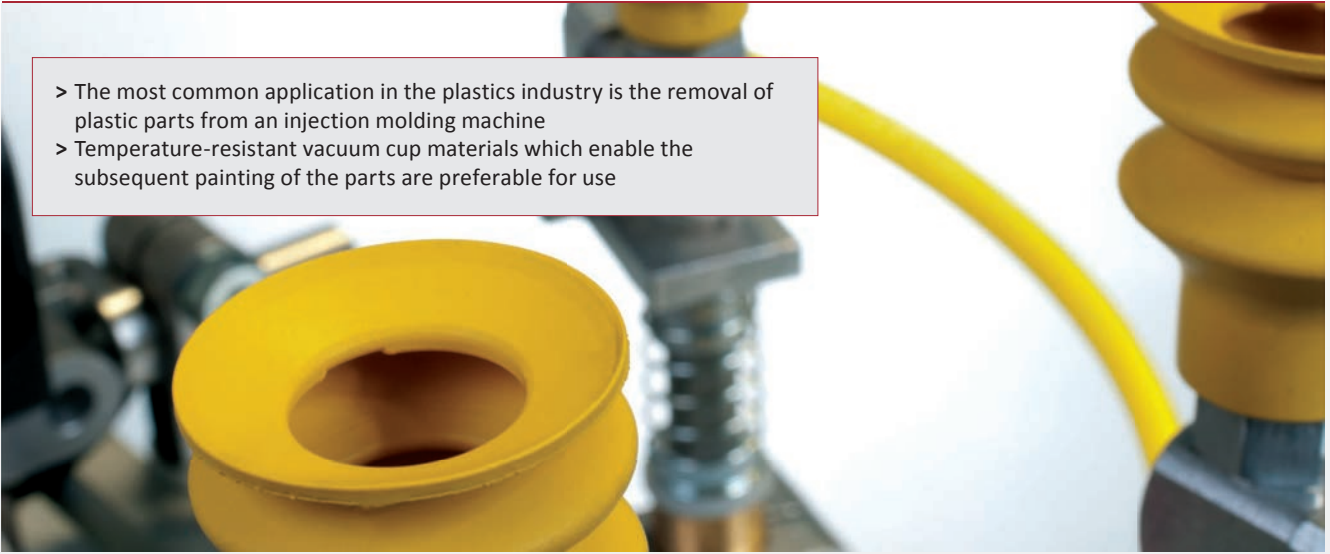


Vacuum cups at a glance .....	122
Vacuum cups for demolding .....	124
Further industry solutions .....	153
Suspensions .....	154



## FIPA Vacuum cups for demolding

- > The most common application in the plastics industry is the removal of plastic parts from an injection molding machine
- > Temperature-resistant vacuum cup materials which enable the subsequent painting of the parts are preferable for use



### **Thermalon® vacuum cups**

- > Optimized material for low marking
- > Heat-resistant up to 160 °C
- > No silicones or other adhesive-repelling substances, enabling later painting of the products

### **Bellows vacuum cups, 1.5 folds – SKT-B1**

- > Good adaptation to uneven product surfaces
- > Diameter: 11 - 63 mm

### **Bellows vacuum cups, 2.5 folds – SKT-B2**

- > Very good adaptation to uneven product surfaces
- > Large range of height and angle adjustment
- > Particularly gentle placement on product surfaces
- > Diameter: 5 - 62 mm



### **Flat vacuum cups – SKT-F**

- > Flat vacuum cups with a flexible single sealing lip
- > Low internal volume saves energy
- > Diameter: 5 - 60 mm

### **Oval vacuum cups – SKH-O**

- > Oval-shaped flat vacuum cups for the handling of narrow products
- > Narrow width enables the gripping of ribbed surfaces
- > Significantly greater suction power than round vacuum cups of equal width
- > Dimensions: 4x2 - 45x15 mm

> See page 124





FIPA Vacuum cups for demolding



**HNBR vacuum cups – SKH-B1, SKH-B2 and SKH-O**

**Bellows cups 1.5 and 2.5 folds, flat vacuum cups and oval vacuum cups**

- > Standard material for removing hot plastic parts from an injection molding machine
- > Heat-resistant up to 160 °C
- > No silicones or other adhesive-repelling substances, enabling later painting of the products
- > Low-marking
- > Wear-resistant material
- > Good adaptation to uneven product surfaces
- > Diameter: 5 - 60 mm

> See page 132



**Varioflex® bellows cups, 1.5 and 2.5 folds – SP-BX**

- > Excellent service life and superior retention force
- > Special polyurethane in two degrees of hardness (60° Shore A black, 30° Shore A red)
- > Soft lip for optimal sealing
- > Short cycle times and high process reliability
- > Operating temperature: 10 - 50 °C
- > Low-marking

**1.5 folds – SP-BX1**

- > Good adaptation to uneven product surfaces
- > Supports (Ø 20–75 mm) stabilise the product
- > Diameter: 15 - 75 mm

**2.5 folds – SP-BX2**

- > Excellent adaptation to uneven product surfaces
- > Large range of height and angle adjustment
- > Diameter: 15 - 75 mm

> See page 138



**Flat silicone vacuum cups with curved lip – SFU-D**

- > Universal flat vacuum cups with tapering curved sealing lip
- > Pre-tension of the sealing lip enables gripping of uneven, slightly curved products
- > Diameter: 4 - 85 mm

> See page 144



**Bellows silicone vacuum cups, universal – SBU 1 and SBU 2**  
**1.5 and 2.5 folds**

- > Universal bellows vacuum cups for handling sensitive or uneven products
- > Bellows compensates for differences in height and enables good adaptation to curved or uneven product surfaces
- > Diameter: 4 - 88 mm

> See page 147

For the full range of vacuum cups please refer to the FIPA Vacuum Technology Catalog or our website [www.fipa.com](http://www.fipa.com).



# Vacuum cups | Vacuum cups for demolding

High-temperature Thermalon® cups – SKT-F

## High-temperature Thermalon® cups – SKT-F

UP TO 160 °C (320 °F) & MINIMUM MARKING




### Product notes

Flat vacuum cups for smooth surfaces especially suitable for removing hot plastic parts to be painted from an injection molding machine. Thermalon® is a material mixture specially optimized for the plastics industry with a hardness of 60° Shore A. Connection up to Ø 50 mm by means of plug-in nipple, from Ø 60 mm with vulcanized carrier plate (bolttable).




### Advantage

- > Extremely low-marking
- > Free of silicone and other paint-wetting-impairment substances (PWIS)
- > Great stability allows high acceleration

### Technical data

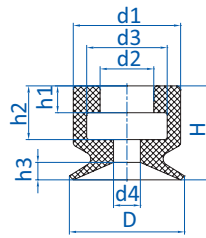
Item no.	Model / Lip dimensions		Material / Color	Usage temperature [°C (°F)]
102.005.496.19	SKT-F-5	0.9	Thermalon® (bl)	0 - 160 (32 - 320)
102.008.497.19	SKT-F-8	1.3	Thermalon® (bl)	0 - 160 (32 - 320)
102.010.498.19	SKT-F-10	1.5	Thermalon® (bl)	0 - 160 (32 - 320)
102.015.499.19	SKT-F-15	1.9	Thermalon® (bl)	0 - 160 (32 - 320)
102.020.500.19	SKT-F-20	2.3	Thermalon® (bl)	0 - 160 (32 - 320)
102.025.501.19	SKT-F-25	3	Thermalon® (bl)	0 - 160 (32 - 320)
102.030.502.19	SKT-F-30	2	Thermalon® (bl)	0 - 160 (32 - 320)
102.040.503.19	SKT-F-40	3.9	Thermalon® (bl)	0 - 160 (32 - 320)
102.050.504.19	SKT-F-50	4	Thermalon® (bl)	0 - 160 (32 - 320)
102.060.505.19	SKT-F-60	4.9	Thermalon® (bl)	0 - 160 (32 - 320)

### Accessories

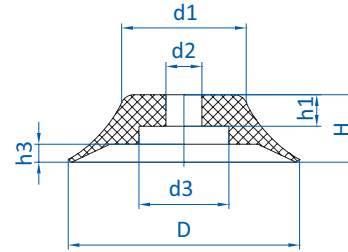
Item no.	 Suitable fittings							 Suitable suspensions (Snap-in)	
	M5-male	M5-female	M6-male	G1/8-male	G1/8-female	G1/4-male	G1/4-female	Suspensions	
102.005.496.19	270.010	270.005	--	270.009	270.007	--	--	50.330	9
102.008.497.19	270.010	270.005	--	270.009	270.007	--	--	50.330	9
102.010.498.19	270.010	270.005	--	270.009	270.007	--	--	50.330	9
102.015.499.19	270.200	--	--	270.064	270.065	--	--	50.330	9
102.020.500.19	270.311	--	--	270.063	270.061	--	--	--	--
102.025.501.19	--	--	270.312/19	270.030	270.019	270.274	270.275	--	--
102.030.502.19	--	--	270.312/19	270.030	270.019	270.274	270.275	--	--
102.040.503.19	--	--	270.312/19	270.030	270.019	270.274	270.275	--	--
102.050.504.19	--	--	--	270.012	270.020	270.491	270.492	--	--
102.060.505.19	--	--	--	--	--	--	--	--	--



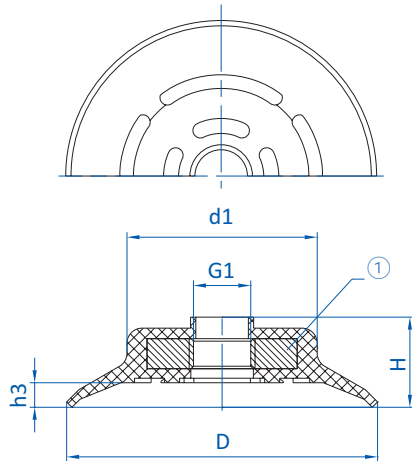
### Dimensions



Drawing A



Drawing B



Drawing C

① = Aluminum

Item no.	Drawing	Ø D [mm]	Ø d1 [mm]	Ø d2 [mm]	Ø d3 [mm]	Ø d4 [mm]	G1	H [mm]	h1 [mm]	h2 [mm]	h3 [mm]
102.005.496.19	A	5.5	7.5	4	6	1.5	--	6.5	2	4	0.9
102.008.497.19	A	8.5	8	4	6	2	--	7	2	4	1.3
102.010.498.19	A	11	8.5	4	6	2	--	7.5	2	4	1.4
102.015.499.19	B	15.5	12	4.5	8	--	--	8	2.7	--	1.8
102.020.500.19	B	21	15	4.5	11	--	--	10	4.5	--	2.2
102.025.501.19	B	26	16	6	11	--	--	14	7	--	2.8
102.030.502.19	B	31	14.5	6	11	--	--	12	7	--	2
102.040.503.19	B	41	24	6	11	--	--	14	7	--	3.9
102.050.504.19	B	51	27.5	8	20	--	--	15	7	--	4
102.060.505.19	C	62	38	--	30	--	G1/4	18	--	--	5

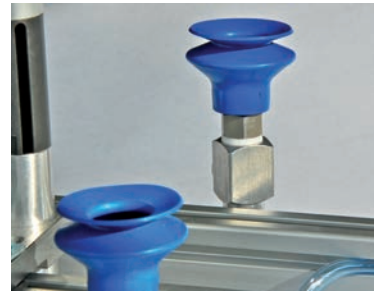


# Vacuum cups | Vacuum cups for demolding

High-temperature Thermalon® bellows cups, 1.5 folds – SKT-B1

## High-temperature Thermalon® bellows cups, 1.5 folds – SKT-B1

UP TO 160 °C (320 °F) &  
MINIMUM MARKING




### Product notes

Bellows vacuum cups for uneven surfaces especially suited for removing hot plastic parts to be painted from an injection molding machine. Thermalon® is a material mixture specially optimized for the plastics industry with a hardness of 60° Shore A. Connection via plug-in nipple.


### Advantage

- > Extremely low-marking
- > Free of silicone and other paint-wetting-impairment substances (PWIS)
- > Bellows compensate differences in height and enable good adaptation to curved or uneven product surfaces

### Technical data

Item no.	Model / Lip dimensions		Number of folds	Material / Color	Short-term working temperature < 30 Sec [°C (°F)]
23.011.234.19	SKT-B1-11	5.5	1.5	Thermalon® (bl)	0 - 160 (32 - 320)
23.014.235.19	SKT-B1-14	5	1.5	Thermalon® (bl)	0 - 160 (32 - 320)
23.016.236.19	SKT-B1-16	8.5	1.5	Thermalon® (bl)	0 - 160 (32 - 320)
23.018.237.19	SKT-B1-18	5	1.5	Thermalon® (bl)	0 - 160 (32 - 320)
23.020.238.19	SKT-B1-20	5	1.5	Thermalon® (bl)	0 - 160 (32 - 320)
23.022.239.19	SKT-B1-22	8	1.5	Thermalon® (bl)	0 - 160 (32 - 320)
23.025.240.19	SKT-B1-25	12	1.5	Thermalon® (bl)	0 - 160 (32 - 320)
23.033.241.19	SKT-B1-33	11	1.5	Thermalon® (bl)	0 - 160 (32 - 320)
23.043.242.19	SKT-B1-43	12.5	1.5	Thermalon® (bl)	0 - 160 (32 - 320)
23.053.243.19	SKT-B1-53	15	1.5	Thermalon® (bl)	0 - 160 (32 - 320)
23.063.244.19	SKT-B1-63	15	1.5	Thermalon® (bl)	0 - 160 (32 - 320)

### Accessories

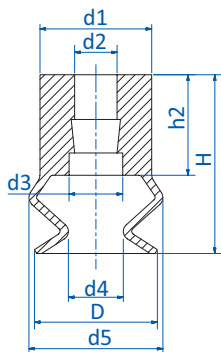
Item no.	 Suitable fittings						
	M5-male	M5-female	M6-male	G1/8-male	G1/8-female	G1/4-male	G1/4-female
23.011.234.19	270.134	270.347	270.104	270.033	270.478	--	--
23.014.235.19	270.134	270.347	270.104	270.033	270.478	--	--
23.016.236.19	270.134	270.347	270.104	270.033	270.478	--	--
23.018.237.19	270.134	270.347	270.104	270.033	270.478	--	--
23.020.238.19	270.134	270.347	270.104	270.033	270.478	--	--
23.022.239.19	270.134	270.347	270.104	270.033	270.478	--	--
23.025.240.19	270.134	270.347	270.104	270.033	270.478	--	--
23.033.241.19	--	--	270.315	270.196	270.114	270.190	270.192
23.043.242.19	--	--	270.315	270.196	270.114	270.190	270.192
23.053.243.19	--	--	270.315	270.196	270.114	270.190	270.192



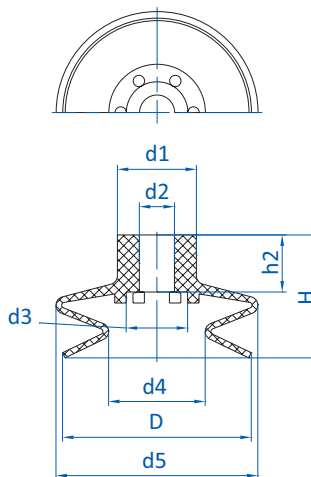
### Accessories

Item no.	Suitable fittings						
	M5-male	M5-female	M6-male	G1/8-male	G1/8-female	G1/4-male	G1/4-female
23.063.244.19	--	--	270.315	270.196	270.114	270.190	270.192

### Dimensions



Drawing A



Drawing B

Item no.	Drawing	∅ D [mm]	∅ d1 [mm]	∅ d2 [mm]	∅ d3 [mm]	∅ d4 [mm]	∅ d5 [mm]	H [mm]	h2 [mm]
23.011.234.19	A	11	10	3.8	4.8	5	12	16	9
23.014.235.19	A	13	10	3.8	4.8	5	14	16	9
23.016.236.19	A	16	10	3.8	4.8	8	17.5	19	9
23.018.237.19	A	18	10	3.8	4.8	8	18	16.5	9
23.020.238.19	A	19	10	3.8	4.8	10.5	20	16	9
23.022.239.19	A	22	10	3.8	4.8	11	24	19	9
23.025.240.19	A	24	10	3.8	4.8	9.5	25	23	9
23.033.241.19	B	33	18	8	14	17	36	28	13
23.043.242.19	B	43	18	8	14	22	46	28	13
23.053.243.19	B	53	18	8	14	33	59	34	13
23.063.244.19	B	63	18	8	14	44	67	34	13



# Vacuum cups | Vacuum cups for demolding

High-temperature Thermalon® bellows cups, 2.5 folds – SKT-B2

## High-temperature Thermalon® bellows cups, 2.5 folds – SKT-B2

UP TO 160 °C (320 °F) &  
MINIMUM MARKING




### Product notes

Bellows vacuum cups for uneven surfaces especially suited for removing hot plastic parts to be painted from an injection molding machine. Thermalon® is a material mixture specially optimized for the plastics industry with a hardness of 60° Shore A. Connection via plug-in nipple.


### Advantage

- > Extremely low-marking
- > Free of silicone and other paint-wetting-impairment substances (PWIS)
- > Long vacuum cup stroke and good adaptation to curved or uneven product surfaces

### Technical data

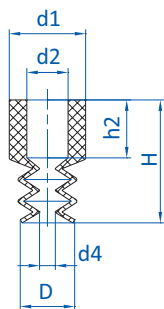
Item no.	Model / Lip dimensions		Material / Color	Number of folds	Short-term working temperature < 30 Sec [°C (°F)]
21.005.146.19	SKT-B2-5	3	Thermalon® (bl)	2.5	0 - 160 (32 - 320)
21.007.147.19	SKT-B2-7	3	Thermalon® (bl)	2.5	0 - 160 (32 - 320)
21.009.148.19	SKT-B2-9	3	Thermalon® (bl)	2.5	0 - 160 (32 - 320)
21.012.149.19	SKT-B2-12	7	Thermalon® (bl)	2.5	0 - 160 (32 - 320)
21.014.150.19	SKT-B2-14	10	Thermalon® (bl)	2.5	0 - 160 (32 - 320)
21.018.151.19	SKT-B2-18	10	Thermalon® (bl)	2.5	0 - 160 (32 - 320)
21.020.152.19	SKT-B2-20	10	Thermalon® (bl)	2.5	0 - 160 (32 - 320)
21.025.153.19	SKT-B2-25	20	Thermalon® (bl)	2.5	0 - 160 (32 - 320)
21.032.154.19	SKT-B2-32	14.5	Thermalon® (bl)	2.5	0 - 160 (32 - 320)
21.042.155.19	SKT-B2-42	22	Thermalon® (bl)	2.5	0 - 160 (32 - 320)
21.052.156.19	SKT-B2-52	27	Thermalon® (bl)	2.5	0 - 160 (32 - 320)
21.062.157.19	SKT-B2-62	31	Thermalon® (bl)	2.5	0 - 160 (32 - 320)

### Accessories

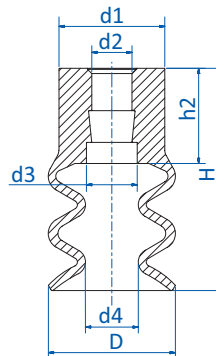
Item no.	 Suitable fittings						
	M5-male	M5-female	M6-male	G1/8-male	G1/8-female	G1/4-male	G1/4-female
21.005.146.19	270.134	270.347	270.104	270.033	270.478	--	--
21.007.147.19	270.134	270.347	270.104	270.033	270.478	--	--
21.009.148.19	270.134	270.347	270.104	270.033	270.478	--	--
21.012.149.19	270.134	270.347	270.104	270.033	270.478	--	--
21.014.150.19	270.134	270.347	270.104	270.033	270.478	--	--
21.018.151.19	270.134	270.347	270.104	270.033	270.478	--	--
21.020.152.19	270.134	270.347	270.104	270.033	270.478	--	--
21.025.153.19	270.134	270.347	270.104	270.033	270.478	--	--
21.032.154.19	--	--	270.315	270.196	270.114	270.190	270.192
21.042.155.19	--	--	270.315	270.196	270.114	270.190	270.192
21.052.156.19	--	--	270.315	270.196	270.114	270.190	270.192
21.062.157.19	--	--	270.315	270.196	270.114	270.190	270.192



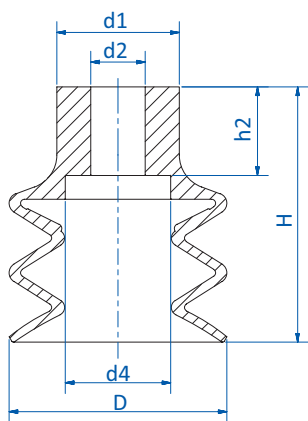
### Dimensions



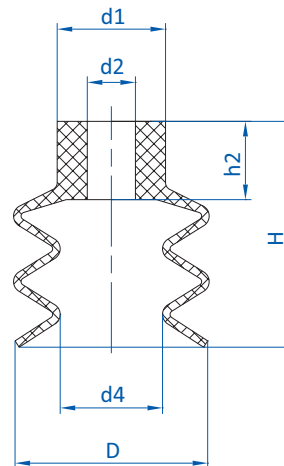
Drawing A



Drawing B



Drawing C



Drawing D

Item no.	Drawing	Ø D [mm]	Ø d1 [mm]	Ø d2 [mm]	Ø d4 [mm]	H [mm]	h2 [mm]
21.005.146.19	A	5.5	7	4	2.2	13.5	8
21.007.147.19	A	6	9	4.5	1.8	14	6.5
21.009.148.19	A	9.5	9	4.4	4	15	7.5
21.012.149.19	B	12	10	3.8	5	21	9
21.014.150.19	B	14	10	3.8	5	23	9
21.018.151.19	B	17.5	10	3.8	7.5	23	9
21.020.152.19	B	20	10	3.8	10	23	9
21.025.153.19	B	25	10	3.8	10	34	9
21.032.154.19	C	32	18	8	17	38	13
21.042.155.19	C	42	18	8	18.5	46	13
21.052.156.19	D	52	18	8	25	49	13
21.062.157.19	D	62	18	8	30	55	13

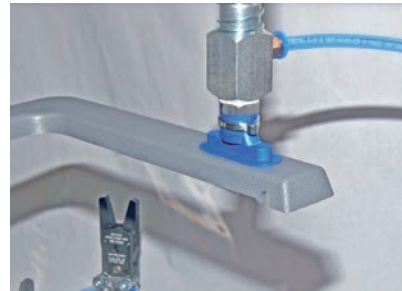


# Vacuum cups | Vacuum cups for demolding

High-temperature Thermalon® oval cups – SKT-O

## High-temperature Thermalon® oval cups – SKT-O

UP TO 160 °C (320 °F) & MINIMUM MARKING



### Product notes

Oval vacuum cups for smooth surfaces suitable for removing hot plastic parts to be painted from an injection molding machine. Thermalon® is a material mixture specially optimized for the plastics industry with a hardness of 60° Shore A. Connection via plug-in nipple.

### Advantage

- > Extremely low-marking
- > Free of silicone and other paint-wetting-impairment substances (PWIS)
- > Significantly increased suction force compared to round vacuum cups of the same width
- > Soft sealing lip also allows adhesion to curved products

### Ordering notes

From size 24x8 mm upward, a gripper clamp (available separately) is recommended to prevent inadvertent rotation.

### Technical data

Item no.	Model / Lip dimensions	Lip height	Material / Color	Lip dimensions	Usage temperature [°C (°F)]	Accessories
						Clamp
132.4x2.079.19	SKT-O-4x2	0.4	Thermalon® (bl)	4x2	0 - 160 (32 - 320)	--
132.7x4.080.19	SKT-O-7x4	0.5	Thermalon® (bl)	7x4	0 - 160 (32 - 320)	--
132.15x5.081.19	SKT-O-15x5	0.6	Thermalon® (bl)	15x5	0 - 160 (32 - 320)	--
132.18x6.082.19	SKT-O-18x6	1	Thermalon® (bl)	18x6	0 - 160 (32 - 320)	--
132.24x8.083.19	SKT-O-24x8	1	Thermalon® (bl)	24x8	0 - 160 (32 - 320)	78.032
132.30x10.084.19	SKT-O-30x10	1	Thermalon® (bl)	30x10	0 - 160 (32 - 320)	78.032
132.45x15.085.19	SKT-O-45x15	2	Thermalon® (bl)	45x15	0 - 160 (32 - 320)	78.033
132.60x20.086.19	SKT-O-60x20	2.5	Thermalon® (bl)	60x20	0 - 160 (32 - 320)	78.033
132.75x25.087.19	SKT-O-75x25	2.5	Thermalon® (bl)	75x25	0 - 160 (32 - 320)	78.034

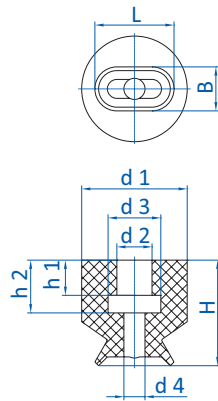
### Accessories

Item no.	Suitable fittings						
	M3-male	M4-male	M5-male	G1/8-male	G1/8-female	G1/4-male	G1/4-female
132.4x2.079.19	270.014	270.111	270.300	--	--	--	--
132.7x4.080.19	270.014	270.111	270.300	--	--	--	--
132.15x5.081.19	--	--	270.094	270.095	270.096	--	--
132.18x6.082.19	--	--	270.094	270.095	270.096	--	--
132.24x8.083.19	--	--	270.094	270.095	270.096	--	--
132.30x10.084.19	--	--	270.094	270.095	270.096	--	--
132.45x15.085.19	--	--	--	--	--	270.097	270.098
132.60x20.086.19	--	--	--	--	--	270.097	270.098
132.75x25.087.19	--	--	--	--	--	270.097	270.098

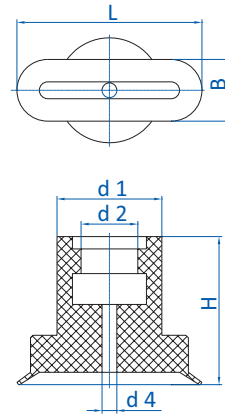




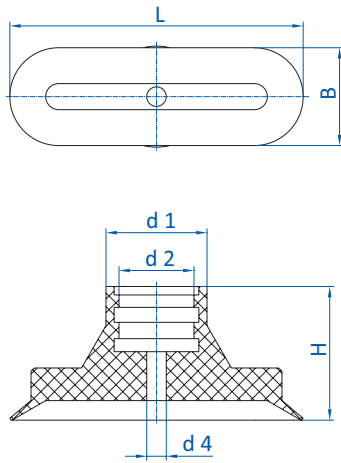
### Dimensions



Drawing A



Drawing B



Drawing C

Item no.	Drawing	L [mm]	B [mm]	Ø d1 [mm]	Ø d2 [mm]	Ø d3 [mm]	Ø d4 [mm]	H [mm]
132.4x2.079.19	A	4.5	2.5	6	2	3	1.2	6
132.7x4.080.19	A	7	3.5	6	2	3	1.4	6
132.15x5.081.19	B	15	5	8.5	4.6	--	1.2	12
132.18x6.082.19	B	18	6	8.5	4.6	--	1.5	12
132.24x8.083.19	B	24	8	11.5	5.5	--	1.5	12
132.30x10.084.19	B	30	10	11.5	5.5	--	2.5	12
132.45x15.085.19	C	45	15	15.5	11.5	--	3	21
132.60x20.086.19	C	60	20	15.5	11.5	--	4	21
132.75x25.087.19	C	75	25	17.5	11.5	--	4	21



# Vacuum cups | Vacuum cups for demolding

High-temperature HNBR bellows cups, 1.5 folds – SKH-B1

## High-temperature HNBR bellows cups, 1.5 folds – SKH-B1

UP TO 160 °C (320 °F) & MINIMUM MARKING



### Product notes

Bellows vacuum cups for uneven surfaces with suitability for removing hot plastic parts to be painted from an injection molding machine.

### Advantage

- > Free of silicone and other paint-wetting-impairment substances (PWIS)
- > Minimum marking
- > Bellows compensate differences in height and enable good adaptation to curved or uneven product surfaces

### Technical data

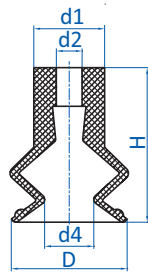
Item no.	Model / Lip dimensions	Number of folds	Number of folds	Material / Color	Usage temperature [°C (°F)]
23.005.178.14	SKH-B1-5	2	1.5	HNBR (ge)	0 - 160 (32 - 320)
23.008.166.14	SKH-B1-8	3.5	1.5	HNBR (ge)	0 - 160 (32 - 320)
23.011.008.14/2	SKH-B1-11	4.5	1.5	HNBR (ge)	0 - 160 (32 - 320)
23.015.122.14	SKH-B1-15	5	1.5	HNBR (ge)	0 - 160 (32 - 320)
23.016.016.14/2	SKH-B1-16	6	1.5	HNBR (ge)	0 - 160 (32 - 320)
23.020.124.14/2	SKH-B1-20	8	1.5	HNBR (ge)	0 - 160 (32 - 320)
23.030.125.14	SKH-B1-30	9	1.5	HNBR (ge)	0 - 160 (32 - 320)
23.043.096.14	SKH-B1-43	12	1.5	HNBR (ge)	0 - 160 (32 - 320)

### Accessories

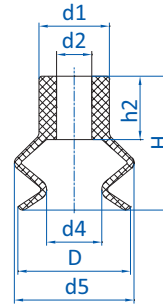
Item no.	Suitable fittings						
	M5-male	M5-female	M6-male	G1/8-male	G1/8-female	G1/4-male	G1/4-female
23.005.178.14	270.153	--	--	--	--	--	--
23.008.166.14	270.153	--	--	--	--	--	--
23.011.008.14/2	270.013	270.005	270.103	270.003	270.015	--	--
23.015.122.14	270.010	270.005	--	270.009	270.007	--	--
23.016.016.14/2	270.013	270.005	270.103	270.003	270.015	--	--
23.020.124.14/2	270.311	--	--	270.063	270.061	--	--
23.030.125.14	--	--	270.312/19	270.030	270.019	270.274	270.275
23.043.096.14	--	--	270.315	270.196	270.114	270.190	270.192



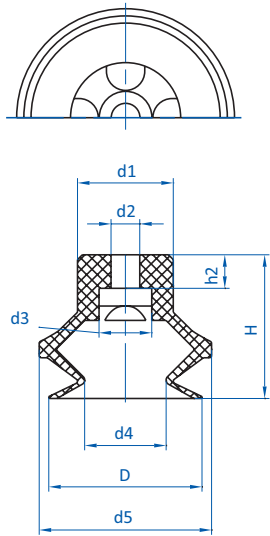
### Dimensions



Drawing A



Drawing B



Drawing C

Item no.	Drawing	Ø D [mm]	Ø d1 [mm]	Ø d2 [mm]	Ø d3 [mm]	Ø d4 [mm]	Ø d5 [mm]	H [mm]	h2 [mm]
23.005.178.14	A	6	5	2	--	2.2	--	9	--
23.008.166.14	A	9	5.5	2	--	3.8	--	12	--
23.011.008.14/2	B	12	10	5	--	4.5	12	16	9
23.015.122.14	C	15	8.5	3.6	6	8	17	16	1.7
23.016.016.14/2	B	16	10	5	--	8	17	19	9
23.020.124.14/2	C	21.5	15	4.5	11	10	23.5	20	4.6
23.030.125.14	C	32	20	6	11	17	36	30	7
23.043.096.14	B	43	18	8	--	23	45	27	12



# Vacuum cups | Vacuum cups for demolding

High-temperature HNBR bellows cups, 2.5 folds – SKH-B2

## High-temperature HNBR bellows cups, 2.5 folds – SKH-B2

UP TO 160 °C (320 °F) & MINIMUM MARKING



### Product notes

Bellows vacuum cups for uneven surfaces with suitability for removing hot plastic parts to be painted from an injection molding machine. Connection via plug-in nipple.

### Advantage

- > Free of silicone and other paint-wetting-impairment substances (PWIS)
- > Minimum marking
- > Long vacuum cup stroke and good adaptation to curved or uneven product surfaces

### Technical data

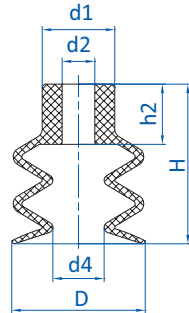
Item no.	Model / Lip dimensions	↓	Number of folds	Material / Color	Usage temperature [°C (°F)]
21.005.057.14	SKH-B2-5	3	2.5	HNBR (ge)	0 - 160 (32 - 320)
21.007.089.14	SKH-B2-7	3	2.5	HNBR (ge)	0 - 160 (32 - 320)
21.009.002.14	SKH-B2-9	2	2.5	HNBR (ge)	0 - 160 (32 - 320)
21.012.135.14	SKH-B2-12	7	2.5	HNBR (ge)	0 - 160 (32 - 320)
21.014.053.14	SKH-B2-14	9	2.5	HNBR (ge)	0 - 160 (32 - 320)
21.018.010.14	SKH-B2-18	8	2.5	HNBR (ge)	0 - 160 (32 - 320)
21.020.016.14/2	SKH-B2-20	9	2.5	HNBR (ge)	0 - 160 (32 - 320)
21.032.075.14/3	SKH-B2-32	13	2.5	HNBR (ge)	0 - 160 (32 - 320)
21.043.049.14	SKH-B2-43	19	2.5	HNBR (ge)	0 - 160 (32 - 320)
21.060.051.14	SKH-B2-60	25	2.5	HNBR (ge)	0 - 160 (32 - 320)

### Accessories

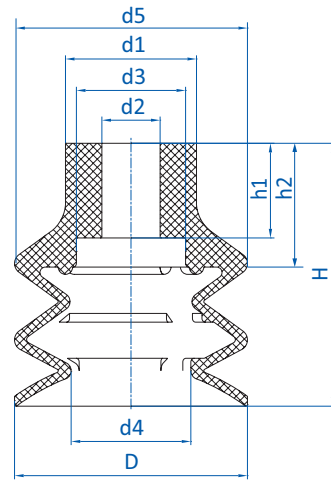
Item no.	Suitable fittings						
	M5-male	M5-female	M6-male	G1/8-male	G1/8-female	G1/4-male	G1/4-female
21.005.057.14	270.134	270.347	270.104	270.033	270.478	--	--
21.007.089.14	270.010	270.005	--	270.009	270.007	--	--
21.009.002.14	270.013	270.005	270.103	270.003	270.015	--	--
21.012.135.14	270.013	270.005	270.103	270.003	270.015	--	--
21.014.053.14	270.134	270.347	270.104	270.033	270.478	--	--
21.018.010.14	270.013	270.005	270.103	270.003	270.015	--	--
21.020.016.14/2	270.013	270.005	270.103	270.003	270.015	270.194	--
21.032.075.14/3	--	--	270.315	270.196	270.114	270.190	270.192
21.043.049.14	--	--	270.315	270.196	270.114	270.190	270.192
21.060.051.14	--	--	270.315	--	--	270.540	270.539



### Dimensions



Drawing A



Drawing B

Item no.	Drawing	Ø D [mm]	Ø d1 [mm]	Ø d2 [mm]	Ø d3 [mm]	Ø d4 [mm]	Ø d5 [mm]	H [mm]	h1 [mm]	h2 [mm]
21.005.057.14	A	5.5	7	4	--	2.5	--	14	--	8.5
21.007.089.14	B	7	7.5	4	5.5	3	7	10	2	3.5
21.009.002.14	A	9	9	5	--	4	--	15	--	7
21.012.135.14	A	12	10	5	--	5	--	21	--	9
21.014.053.14	A	14	8	4	--	5.5	--	18	--	5.5
21.018.010.14	A	18	10	4.5	--	7	--	22	--	8.5
21.020.016.14/2	A	20	10	4.5	--	10	--	23	--	9
21.032.075.14/3	B	32	18	8	15	16.5	32	36	13	--
21.043.049.14	B	42	20	8	15	15.5	42	46	13	17
21.060.051.14	B	61	22	8	14	28	61	57	14	18.5



# Vacuum cups | Vacuum cups for demolding

High-temperature HNBR oval cups – SKH-O

## High-temperature HNBR oval cups – SKH-O

**UP TO 160 °C (320 °F) & MINIMUM MARKING**



### Product notes

Oval vacuum cups for smooth surfaces suitable for removing hot plastic parts to be painted from an injection molding machine. Connection via plug-in nipple.


### Advantage

- > Free of silicone and other paint-wetting-impairment substances (PWIS)
- > Minimum marking
- > Significantly increased suction force compared to round vacuum cups of the same width
- > Soft sealing lip also allows adhesion to curved products

### Ordering notes

From size 15x5 mm upward, a gripper clamp (available separately) is recommended to prevent inadvertent rotation

### Technical data


Item no.	Model / Lip dimensions	 Lip height	Material / Color	Usage temperature [°C (°F)]
<b>132.4x2.031.14</b>	SKH-O-4x2A	0.5	HNBR (ge)	0 - 160 (32 - 320)
<b>132.7x4.034.14</b>	SKH-O-7x4	0.8	HNBR (ge)	0 - 160 (32 - 320)
<b>132.15x5.067.14</b>	SKH-O-15x5	1	HNBR (ge)	0 - 160 (32 - 320)
<b>132.24x8.066.14</b>	SKH-O-24x8	1	HNBR (ge)	0 - 160 (32 - 320)
<b>132.36x12.068.14</b>	SKH-O-36x12	2	HNBR (ge)	0 - 160 (32 - 320)
<b>132.45x15.064.14</b>	SKH-O-45x15	3	HNBR (ge)	0 - 160 (32 - 320)

### Accessories

#### Clamp

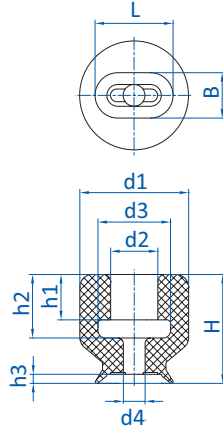
--
--
78.030
78.032
78.032
78.033

### Accessories

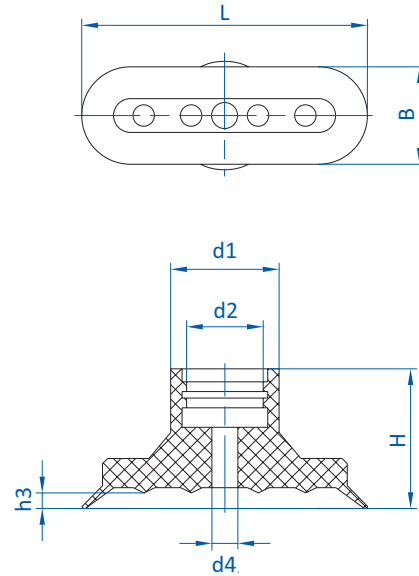
Item no.	 Suitable fittings					
	M3-male	M4-male	M5-male	G1/8-male	G1/4-male	G1/4-female
<b>132.4x2.031.14</b>	270.014	270.111	270.300	--	--	--
<b>132.7x4.034.14</b>	270.014	270.111	270.300	--	--	--
<b>132.15x5.067.14</b>	--	--	--	270.431	--	--
<b>132.24x8.066.14</b>	--	--	--	270.431	--	--
<b>132.36x12.068.14</b>	--	--	--	270.431	--	--
<b>132.45x15.064.14</b>	--	--	--	--	270.097	270.098



### Dimensions



Drawing A



Drawing B

Item no.	Drawing	L [mm]	B [mm]	Ø d1 [mm]	Ø d2 [mm]	Ø d3 [mm]	Ø d4 [mm]	H [mm]	h1 [mm]	h2 [mm]	h3 [mm]
132.4x2.031.14	A	4.3	2.5	6	2.6	4	1.2	6	2.5	3.5	0.5
132.7x4.034.14	A	7.5	4	6	2.4	3	1.4	6	2.3	3	0.7
132.15x5.067.14	B	15	5	9	5	--	2	12	--	--	0.8
132.24x8.066.14	B	24	8.5	12.5	5	--	3	13	--	--	1.5
132.36x12.068.14	B	36	12	12	5	--	4	12	--	--	1.6
132.45x15.064.14	B	44	15	16.5	12	--	4	22	--	--	2.4



# Vacuum cups | Vacuum cups for demolding

Varioflex® bellows cups, 1.5 folds – SP-BX1

## Varioflex® bellows cups, 1.5 folds – SP-BX1



POLYURETHANE COMPOSITE MATERIAL 60°/30°



### Product notes

Bellows vacuum cups with 1.5 folds made of an extremely wear-resistant polymer.  
Soft, flexible sealing lip in 30° Shore A (red).  
Stable body in 60° Shore A (black).  
Cleats stabilize the product.

### Advantage

- > Long life cycle reduces machine downtimes
- > Perfect sealing performance on rough or uneven surface
- > High stability and fast reset
- > Oil and ozone-resistant
- > Bellows compensate for height differences
- > Cleats allow for fast acceleration

### Notes

Explanation of the type description:

- > SP-BX1 = Series name of the bellows vacuum cup with 1.5 folds
- > -xx = nominal diameter
- > Example: SP-BX1-15 = bellows vacuum cup with 1.5 folds and a nominal diameter of 15 mm

### Technical data

Model / Lip dimensions	Ø [mm]	Connection thread 1	Item no.	Connection thread 2	Item no.	Connection thread 3	Item no.	Usage temperature [°C (°F)]
------------------------	--------	---------------------	----------	---------------------	----------	---------------------	----------	-----------------------------

### Accessories

Spare cup



### Bellows vacuum cups 1.5 folds – SP-BX1 fully assembled with fitting

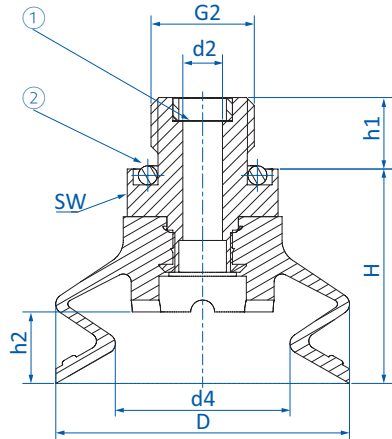


SP-BX1-15	16	M5-male	22.016.253.16	M6-male	22.016.254.16	--	--	4.5	10 - 50 (50 - 122)	23.016.263.16
SP-BX1-20	21	G1/8-male	22.021.255.16	--	--	--	--	5	10 - 50 (50 - 122)	23.021.264.16
SP-BX1-25	26	G1/8-male	22.026.256.16	--	--	--	--	5	10 - 50 (50 - 122)	23.026.265.16
SP-BX1-35	37	G1/8-female	22.037.257.16	G1/4-male	22.037.258.16	--	--	9	10 - 50 (50 - 122)	23.037.266.16
SP-BX1-50	53	G1/8-female	22.053.259.16	G1/4-male	22.053.260.16	G3/8-male	22.053.261.16	10	10 - 50 (50 - 122)	23.053.267.16
SP-BX1-75	75	G3/8-male	22.075.262.16	G3/8-female	22.075.263.16	--	--	18	10 - 50 (50 - 122)	--
SP-BX1-115	115	G3/8-IG	22.115.266.16	G1/2-IG	22.115.267.16	--	--	28	10 - 50 (50 - 122)	23.115.274.16
SP-BX1-160	160	G3/8-IG	22.160.264.16	G1/2-IG	22.160.265.16	--	--	40	10 - 50 (50 - 122)	23.160.273.16

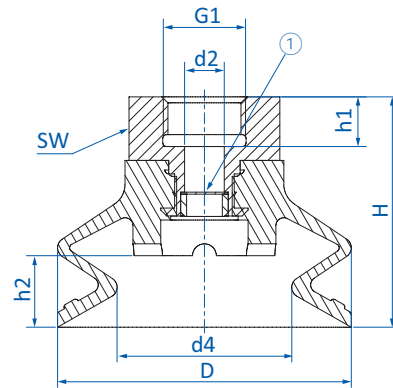




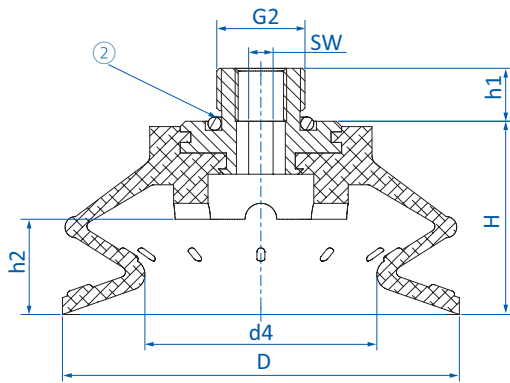
## Dimensions



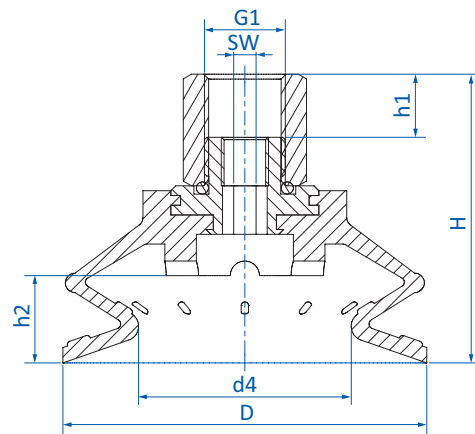
Drawing A



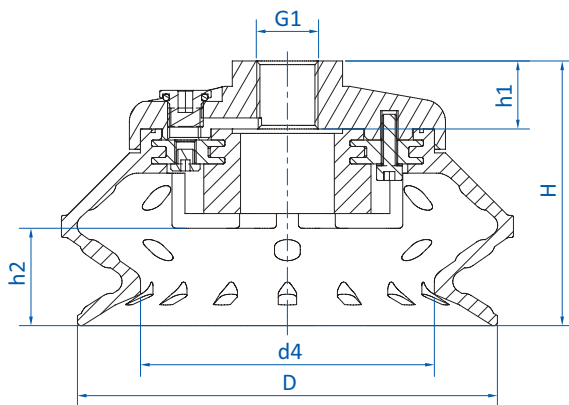
Drawing B



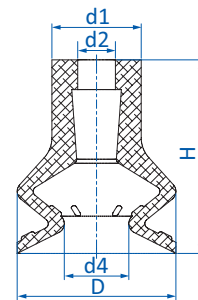
Drawing C



Drawing D



Drawing E



Drawing F

① = Filter screen ② = O-ring

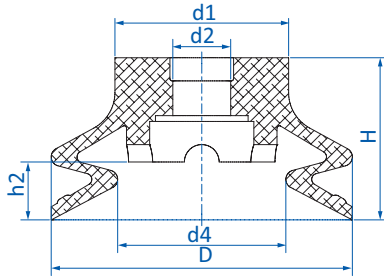
Continued on the next page →



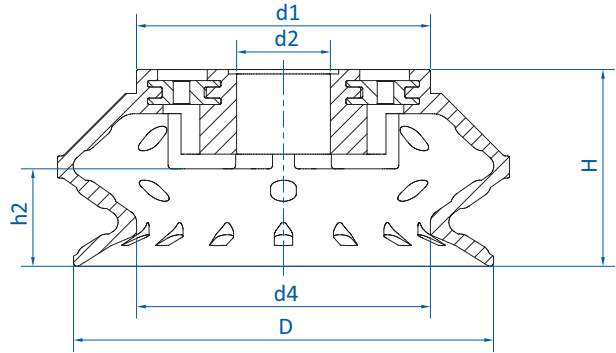
# Vacuum cups | Vacuum cups for demolding

Varioflex® bellows cups, 1.5 folds – SP-BX1

## Dimensions



Drawing G



Drawing H

① = Filter screen ② = O-ring

Item no.	Drawing	∅ D [mm]	∅ d1 [mm]	∅ d2 [mm]	∅ d4 [mm]	G1 (female)	G2 (male)	H	h1 [mm]	h2 [mm]	SW
<b>Bellows vacuum cups 1.5 folds – SP-BX1 fully assembled with fitting</b>											
22.016.253.16	A	16	--	2.5	6.5	--	M5	25	3.6	--	8
22.016.254.16	A	16	--	2.5	6.5	--	M6	24	6	--	13
22.021.255.16	A	21	--	4	12	--	G1/8	19	7	5	13
22.026.256.16	A	26	--	4	14.5	--	G1/8	19	7	5	13
22.037.257.16	B	37	--	5	22	G1/8	--	29	6.3	9	19
22.037.258.16	A	37	--	5	22	--	G1/4	27	9	9	19
22.053.259.16	B	53	--	8	32.5	G1/8	--	35	9	10	22
22.053.260.16	A	53	--	6	32.5	--	G1/4	32	9	10	22
22.053.261.16	A	53	--	6	32.5	--	G3/8	32	10	10	22
22.075.262.16	C	75	--	--	44	--	G3/8	36.5	10	18	8
22.075.263.16	D	75	--	--	44	G3/8	--	59.5	13	18	8
22.115.266.16	E	115	--	--	79.9	G3/8	--	72	18.5	26.5	--
22.115.267.16	E	115	--	--	79.9	G1/2	--	72	18.5	26.5	--
22.160.264.16	E	160	--	--	112.7	G3/8	--	89	21	40.5	--
22.160.265.16	E	160	--	--	112.7	G1/2	--	89	21	40.5	--
<b>Spare cups</b>											
23.016.263.16	F	16	9	4	6.5	--	--	19.5	--	--	--
23.021.264.16	G	21	11	5	12	--	--	14	--	5	--
23.026.265.16	G	26	15	5	14.5	--	--	14	--	5	--
23.037.266.16	G	37	20	7	22	--	--	21	--	9	--
23.053.267.16	G	53	26	10.5	32.5	--	--	26	--	10	--
23.115.274.16	H	115	80	25.5	79.9	--	--	53.5	--	26.5	--
23.160.273.16	H	160	110	25.5	112.7	--	--	68	--	40.5	--



### Varioflex® bellows cups, 2.5 folds – SP-BX2

**POLYURETHANE COMPOSITE MATERIAL 60°/30°**



#### Product notes

Bellows vacuum cups with 2.5 bellows made of an extremely wear-resistant polymer.  
Soft, flexible sealing lip in 30° Shore A (red).  
Stable body in 60° Shore A (black).

#### Advantage

- > Long life cycle reduces machine downtimes
- > Perfect sealing performance on rough or uneven surface
- > High stability and fast reset
- > Oil and ozone-resistant
- > Excellent height and angle compensation
- > Optional: filter disc from Ø 26 mm installed between the bellows


#### Notes

Explanation of the type description:

- > SP-BX2 = Series name of the bellows vacuum cup with 2.5 folds
- > -xx = nominal diameter
- > Example: SP-BX2-15 = bellows vacuum cup with 2.5 folds and a nominal diameter of 15 mm

#### Technical data

#### Accessories

Model / Lip dimensions	Ø [mm]	Connection thread 1	Item no.	Connection thread 2	Item no.	Connection thread 3	Item no.		Usage temp. [°C (°F)]	Spare cup
<b>Bellows vacuum cups 2.5 folds – SP-BX2 fully assembled with fitting</b>										
SP-BX2-15	16	M5-male	20.016.145.16	M6-male	20.016.146.16	--	--	5.5	10 - 50 (50 - 122)	21.016.175.16
SP-BX2-20	21	G1/8-male	20.021.147.16	--	--	--	--	6.5	10 - 50 (50 - 122)	21.021.176.16
SP-BX2-25	26	G1/8-male	20.026.148.16	--	--	--	--	8	10 - 50 (50 - 122)	21.026.177.16
SP-BX2-35	37	G1/8-female	20.037.149.16	G1/4-male	20.037.150.16	--	--	14	10 - 50 (50 - 122)	21.037.177.16
SP-BX2-50	53	G1/8-female	20.053.151.16	G1/4-male	20.053.152.16	G3/8-male	20.053.153.16	19	10 - 50 (50 - 122)	21.053.178.16
SP-BX2-75	77	G3/8-male	20.077.154.16	G3/8-female	20.077.155.16	--	--	25	10 - 50 (50 - 122)	--
<b>Bellows vacuum cups 2.5 folds – SP-BX2 fully assembled with fitting and filter</b>										
SP-BX2-25	26	G1/8-male	20.026.148.16-FI	--	--	--	--	8	10 - 50 (50 - 122)	21.026.177.16-FI
SP-BX2-35	37	G1/8-female	20.037.149.16-FI	G1/4-male	20.037.150.16-FI	--	--	14	10 - 50 (50 - 122)	21.037.177.16-FI
SP-BX2-50	53	G1/8-female	20.053.151.16-FI	G1/4-male	20.053.152.16-FI	G3/8-male	20.053.153.16-FI	19	10 - 50 (50 - 122)	21.053.178.16-FI
SP-BX2-75	77	G3/8-male	20.077.154.16-FI	G3/8-female	20.077.155.16-FI	--	--	25	10 - 50 (50 - 122)	--

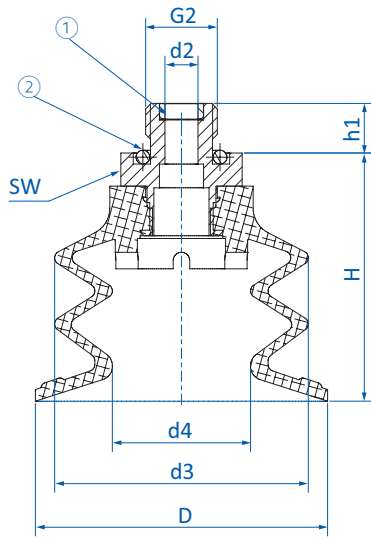
Continued on the next page →



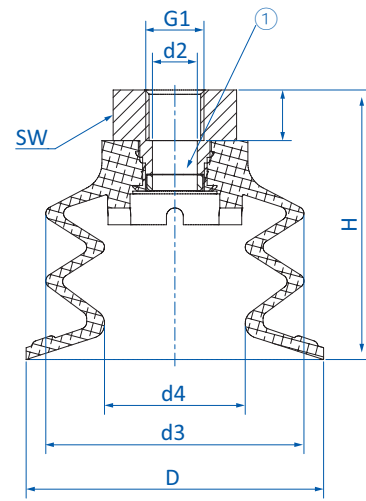
# Vacuum cups | Vacuum cups for demolding

Varioflex® bellows cups, 2.5 folds – SP-BX2

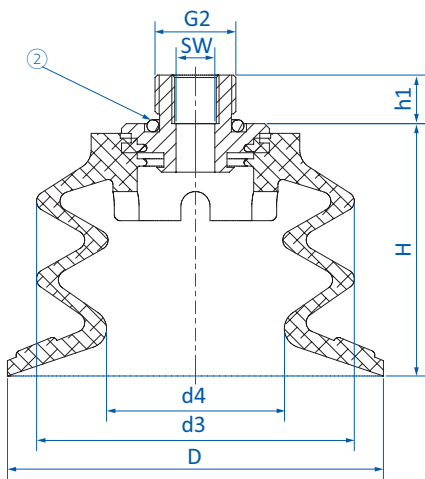
## Dimensions



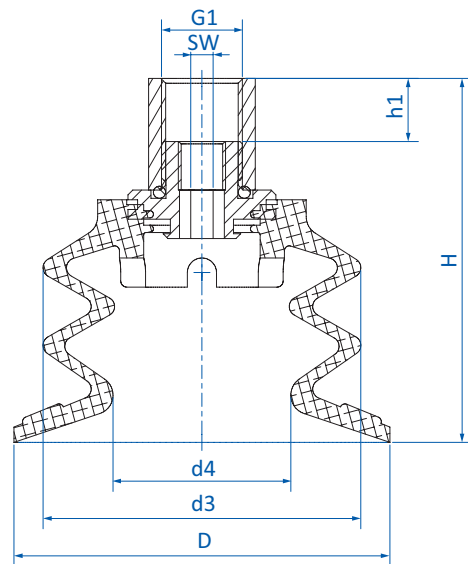
Drawing A



Drawing B



Drawing C

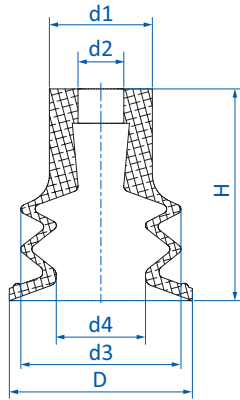


Drawing D

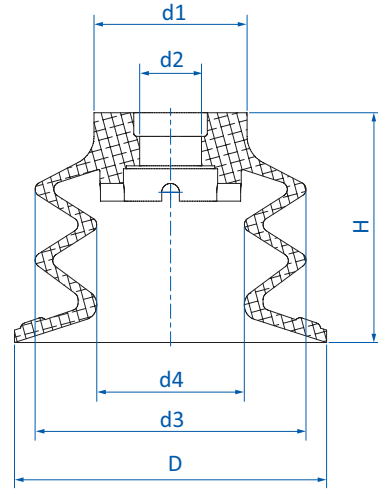
① = Filter screen ② = O-ring



### Dimensions



Drawing E



Drawing F

① = Filter screen ② = O-ring

Item no.	Drawing	Ø D [mm]	Ø d1 [mm]	Ø d2 [mm]	Ø d3 [mm]	Ø d4 [mm]	G1 (female)	G2 (male)	H	h1 [mm]	SW
<b>Bellows vacuum cups 2.5 folds – SP-BX2 fully assembled with fitting</b>											
20.016.145.16	A	16	--	2.8	14	9	--	M5	24	4	8
20.016.146.16	A	16	--	2.5	14	9	--	M6	23	6	13
20.021.147.16	A	21	--	4	20	12	--	G1/8	20.2	7	13
20.026.148.16	A	26	--	4	23	12	--	G1/8	24	7	13
20.037.149.16	B	37	--	5	31	18	G1/8	--	34.8	6.3	19
20.037.150.16	A	37	--	5	31	18	--	G1/4	32.8	9	19
20.053.151.16	B	53	--	8	46	25	G1/8	--	48	9	22
20.053.152.16	A	53	--	6	46	25	--	G1/4	45	9	22
20.053.153.16	A	53	--	6	46	25	--	G3/8	45	10	22
20.077.154.16	C	77.5	--	--	65.5	37	--	G3/8	52	10	8
20.077.155.16	D	77.5	--	--	65.5	37	G3/8	--	75	13	8
<b>Spare cups</b>											
21.016.175.16	E	16	9	4	14	9	--	--	18.5	--	--
21.021.176.16	F	21	11	5	20	12	--	--	15.2	--	--
21.026.177.16	F	26	15	5	23	12	--	--	19	--	--
21.037.177.16	F	37	20	7	31	18	--	--	27	--	--
21.053.178.16	F	53	26	10.5	46	25	--	--	39	--	--



# Vacuum cups | Vacuum cups for demolding

## Flat vacuum cups with curved lip – SFU-D

### Flat vacuum cups with curved lip – SFU-D




#### Product notes

Universal flat vacuum cups with tapering curved sealing lip. Connection via plug-in nipple.

#### Advantage

- > Pre-tension of the sealing lip enables gripping of uneven and slightly curved products
- > Large stroke

#### Technical data

Item no.	Model / Lip dimensions		Material / Color
112.004.001.2	SFU-D-4	0.5	SI (r)
112.005.002.2	SFU-D-5	0.7	SI (r)
112.006.003.2	SFU-D-6	1	SI (r)
112.008.007.2	SFU-D-8	1.5	SI (w)
112.010.011.2	SFU-D-10	2	SI (w)
112.012.015.2	SFU-D-12	2	SI (w)
112.015.022.2	SFU-D-15	2	SI (w)
112.018.024.2	SFU-D-18	2.3	SI (w)
112.020.031.2	SFU-D-20	2.3	SI (w)
112.022.037.2	SFU-D-22	2.5	SI (w)
112.025.042.2	SFU-D-25	4.5	SI (w)
112.030.052.2	SFU-D-30	4.5	SI (w)
112.035.060.2	SFU-D-35	5	SI (w)
112.040.071.2	SFU-D-40	4	SI (tr)
112.045.077.2	SFU-D-45	7	SI (w)
112.060.091.2	SFU-D-60	9	SI (tr)
112.085.102.2	SFU-D-85	12	SI (tr)



### Accessories

Item no.	Suitable fittings							
	M3-male	M5-male	M5-female	M6-male	G1/8-male	G1/8-female	G1/4-male	G1/4-female
112.004.001.2	270.025	--	--	--	--	--	--	--
112.005.002.2	270.025	--	--	--	--	--	--	--
112.006.003.2	270.025	--	--	--	--	--	--	--
112.008.007.2	--	270.536	--	--	--	--	--	--
112.010.011.2	--	270.134	270.347	270.104	270.033	270.478	--	--
112.012.015.2	--	270.134	270.347	270.104	270.033	270.478	--	--
112.015.022.2	--	270.134	--	270.104	270.033	270.478	--	--
112.018.024.2	--	270.134	270.347	270.104	270.033	270.478	--	--
112.020.031.2	--	270.134	270.347	270.104	270.033	270.478	--	--
112.022.037.2	--	270.134	270.347	270.104	270.033	270.478	--	--
112.025.042.2	--	270.443	--	--	270.238	270.110	270.534	--
112.030.052.2	--	270.443	--	--	270.238	270.110	270.534	--
112.035.060.2	--	--	--	--	--	--	270.451	270.452
112.040.071.2	--	--	--	--	--	--	270.451	270.452
112.045.077.2	--	--	--	--	--	--	270.451	270.452
112.060.091.2	--	--	--	--	--	--	270.042	--
112.085.102.2	--	--	--	--	--	--	270.216	--

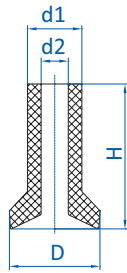
Continued on the next page →



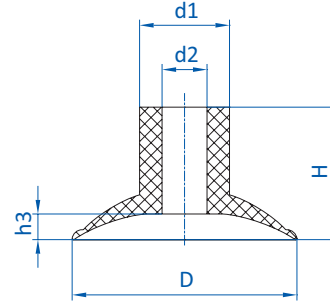
# Vacuum cups | Vacuum cups for demolding

Flat vacuum cups with curved lip – SFU-D

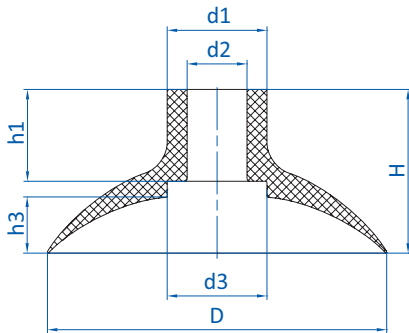
## Dimensions



Drawing A



Drawing B



Drawing C

Item no.	Drawing	Ø D [mm]	Ø d1 [mm]	Ø d2 [mm]	Ø d3 [mm]	H [mm]	h1 [mm]	h3 [mm]
112.004.001.2	A	4	3	1.5	--	7.5	--	--
112.005.002.2	A	5	3	1.5	--	8	--	--
112.006.003.2	A	6	3	1.5	--	8	--	--
112.008.007.2	B	8	5	2.8	--	8	--	1.6
112.010.011.2	B	10	6.7	3.8	--	10.5	--	1.9
112.012.015.2	B	12	8	4	--	11	--	1.7
112.015.022.2	B	15	8	4	--	12	--	2.5
112.018.024.2	B	18	8	3.9	--	11.5	--	2.3
112.020.031.2	B	20	8	4	--	12	--	2.3
112.022.037.2	B	22	8	4	--	13	--	2.5
112.025.042.2	B	25	12	6	--	16	--	4.3
112.030.052.2	B	30	12	6	--	17	--	4.4
112.035.060.2	B	35	15	10	--	16.5	--	5.2
112.040.071.2	B	40	15	10	--	16	--	4
112.045.077.2	B	45	15.5	10	--	17	--	7.5
112.060.091.2	C	60	15	10	25	23	10	9
112.085.102.2	C	85	25	15	25	41	23	14





### Bellows vacuum cups, universal, 1.5 folds – SBU 1




#### Product notes


Universal bellows vacuum cups with 1.5 folds for handling sensitive or uneven products.  
Connection up to  $\varnothing$  75 mm by means of plug-in nipple, from  $\varnothing$  88 mm with vulcanized bracket.

#### Advantage

- > Bellows compensate for differences in height and enable good adaptation to curved or uneven product surfaces
- > Soft attachment for sensitive products
- > Cost-effective replacement of worn seals

#### Technical data

Item no.	Model / Lip dimensions		Number of folds	Material / Color	Connection thread
<b>23.005.181.2</b>	SBU 1-5	2	1.5	SI (tr)	--
<b>23.011.008.2</b>	SBU 1-11	4.5	1.5	SI (tr)	--
<b>23.013.120.2</b>	SBU 1-13	4	1.5	SI (tr)	--
<b>23.016.016.2</b>	SBU 1-16	6	1.5	SI (tr)	--
<b>23.019.119.2</b>	SBU 1-19	4	1.5	SI (tr)	--
<b>23.022.028.2</b>	SBU 1-22	8	1.5	SI (tr)	--
<b>23.025.137.2/25</b>	SBU 1-25	9	1.5	SI (tr)	--
<b>23.033.039.2</b>	SBU 1-33	12	1.5	SI (tr)	--
<b>23.043.096.2</b>	SBU 1-43	12	1.5	SI (tr)	--
<b>23.053.033.2</b>	SBU 1-53	11	1.5	SI (tr)	--
<b>23.075.151.2</b>	SBU 1-75	20	1.5	SI (tr)	--
<b>22.088.158.2</b>	SBU 1-88	23	1.5	SI (tr)	G1/4-male
<b>22.088.159.2</b>	SBU 1-88	23	1.5	SI (tr)	G1/4-female

Continued on the next page 



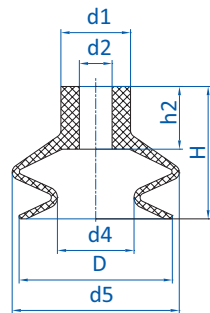
# Vacuum cups | Vacuum cups for demolding

Bellows vacuum cups, universal, 1.5 folds – SBU 1

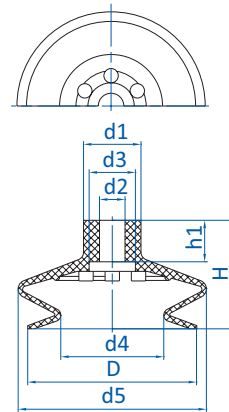
## Accessories

Item no.	Suitable fittings							
	M5-male	M5-female	M6-male	M10-male	G1/8-male	G1/8-female	G1/4-male	G1/4-female
23.005.181.2	270.195	--	--	--	--	--	--	--
23.011.008.2	270.013	270.005	270.103	--	270.003	270.015	--	--
23.013.120.2	270.013	270.005	270.103	--	270.003	270.015	--	--
23.016.016.2	270.013	270.005	270.103	--	270.003	270.015	--	--
23.019.119.2	270.013	270.005	270.103	--	270.003	270.015	270.194	--
23.022.028.2	270.013	270.005	270.103	--	270.003	270.015	270.194	--
23.025.137.2/25	270.013	270.005	270.103	--	270.003	270.015	270.194	--
23.033.039.2	--	--	270.315	--	270.196	270.114	270.190	270.192
23.043.096.2	--	--	270.315	--	270.196	270.114	270.190	270.192
23.053.033.2	--	--	270.315	--	270.196	270.114	270.190	270.192
23.075.151.2	--	--	--	270.177	--	--	270.451	270.452
22.088.158.2	--	--	--	--	--	--	--	--
22.088.159.2	--	--	--	--	--	--	--	--

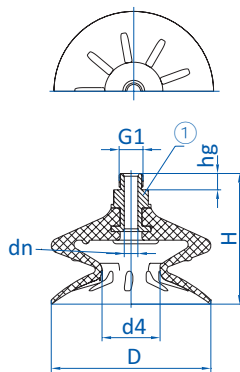
## Dimensions



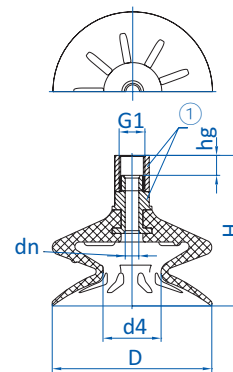
Drawing A



Drawing B



Drawing C



Drawing D

① = Aluminum fitting, vulcanized



Item no.	Drawing	Ø D [mm]	Ø d1 [mm]	Ø d2 [mm]	Ø d3 [mm]	Ø d4 [mm]	Ø d5 [mm]	Ø dn [mm]	G1	H [mm]	h1 [mm]	h2 [mm]	hg [mm]
23.005.181.2	A	5	3	1.5	--	2	5	--	--	13	--	9.5	--
23.011.008.2	A	12	10	5	--	4.5	12	--	--	16	--	9	--
23.013.120.2	A	13.5	10	3.8	--	5	13.5	--	--	16	--	9	--
23.016.016.2	A	16	10	5	--	8	17	--	--	19	--	9	--
23.019.119.2	A	18.5	10	4.5	--	11	19.5	--	--	15	--	8.5	--
23.022.028.2	A	22	10	4.7	--	11	24	--	--	19	--	9	--
23.025.137.2/25	A	24	10	4	--	10	24	--	--	23	--	9	--
23.033.039.2	B	33.5	18	8	16.5	17	36	--	--	28	13	--	--
23.043.096.2	B	43	18	8	14.5	23	45	--	--	27	12	--	--
23.053.033.2	B	53	18	8	14.5	32	59	--	--	34	13	--	--
23.075.151.2	B	75	27	11	--	43	70.5	--	--	52	--	22	--
22.088.158.2	C	88	--	--	--	32	88	7.5	G1/4	72	--	--	9
22.088.159.2	D	88	--	--	--	32	88	7.5	G1/4	83	--	--	11



# Vacuum cups | Vacuum cups for demolding

Bellows vacuum cups, universal, 2.5 folds – SBU 2

## Bellows vacuum cups, universal, 2.5 folds – SBU 2




### Product notes

Universal bellows vacuum cups with 2.5 folds for handling sensitive or uneven products over large stroke movements.  
Connection up to Ø 75 mm by means of plug-in nipple, from Ø 88 mm with vulcanized bracket.

### Advantage

- > Bellows compensate for differences in height and enable good adaptation to curved or uneven product surfaces
- > Soft attachment for sensitive products
- > Cost-effective replacement of worn seals

### Technical data

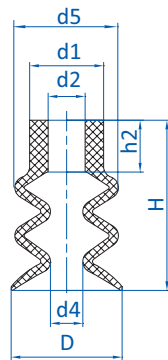
Item no.	Model / Lip dimensions		Number of folds	Material / Color	Connection thread
<b>21.004.083.2tr</b>	SBU 2-4	3	2.5	SI (tr)	--
<b>21.005.057.2/3</b> <b>21.005.057.2/4</b>	SBU 2-5	3	2.5	SI (tr)	--
<b>21.006.093.2</b>	SBU 2-6A	3	2.5	SI (tr)	--
<b>21.006.087.2</b>	SBU 2-6	3.5	2.5	SI (tr)	--
<b>21.008.094.2</b>	SBU 2-8	4	2.5	SI (tr)	--
<b>21.009.002.2</b>	SBU 2-9	2	2.5	SI (tr)	--
<b>21.010.119.2</b>	SBU 2-10	8	2.5	SI (tr)	--
<b>21.012.135.2</b>	SBU 2-12	7	2.5	SI (tr)	--
<b>21.014.133.2</b>	SBU 2-14A	11	2.5	SI (tr)	--
<b>21.014.007.2</b>	SBU 2-14	12	2.5	SI (tr)	--
<b>21.018.010.2</b>	SBU 2-18	8	2.5	SI (tr)	--
<b>21.020.016.2</b>	SBU 2-20	9	2.5	SI (tr)	--
<b>21.025.060.2</b>	SBU 2-25	19	2.5	SI (tr)	--
<b>21.032.075.2</b>	SBU 2-32	13	2.5	SI (tr)	--
<b>21.043.049.2</b>	SBU 2-43	19	2.5	SI (tr)	--
<b>21.062.055.2</b>	SBU 2-62	25	2.5	SI (tr)	--
<b>20.088.123.2</b>	SBU 2-88	36	2.5	SI (tr)	G1/4-male
<b>20.088.124.2</b>	SBU 2-88	36	2.5	SI (tr)	G1/4-female



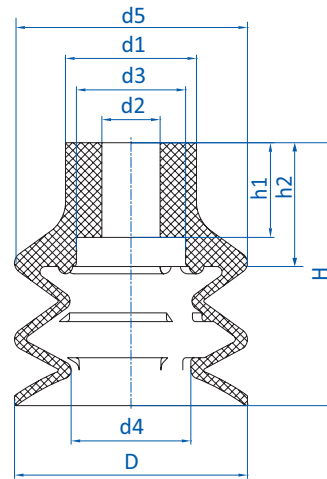
### Accessories

Item no.	Suitable fittings						
	M5-male	M5-female	M6-male	G1/8-male	G1/8-female	G1/4-male	G1/4-female
21.004.083.2tr	270.134	270.347	270.104	270.033	270.478	--	--
21.005.057.2/3 21.005.057.2/4	270.134	270.347	270.104	270.033	270.478	--	--
21.006.093.2	270.134	270.347	270.104	270.033	270.478	--	--
21.006.087.2	270.013	270.005	270.103	270.003	270.015	--	--
21.008.094.2	270.134	270.347	270.104	270.033	270.478	--	--
21.009.002.2	270.013	270.005	270.103	270.003	270.015	--	--
21.010.119.2	270.013	270.005	270.103	270.003	270.015	--	--
21.012.135.2	270.013	270.005	270.103	270.003	270.015	--	--
21.014.133.2	270.134	270.347	270.104	270.033	270.478	--	--
21.014.007.2	270.013	270.005	270.103	270.003	270.015	--	--
21.018.010.2	270.013	270.005	270.103	270.003	270.015	--	--
21.020.016.2	270.013	270.005	270.103	270.003	270.015	270.194	--
21.025.060.2	270.013	270.005	270.103	270.003	270.015	270.194	--
21.032.075.2	--	--	270.315	270.196	270.114	270.190	270.192
21.043.049.2	--	--	270.315	270.196	270.114	270.190	270.192
21.062.055.2	--	--	270.315	--	--	270.540	270.539
20.088.123.2	--	--	--	--	--	--	--
20.088.124.2	--	--	--	--	--	--	--

### Dimensions



Drawing A



Drawing B

① = Aluminum fitting, vulcanized

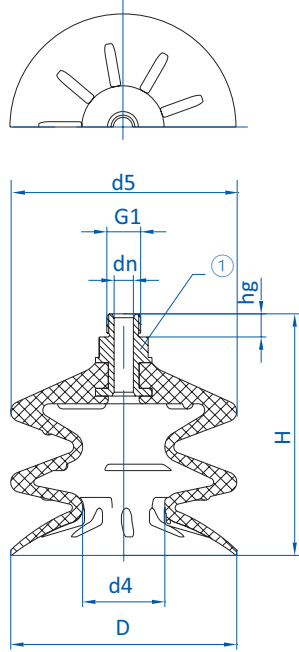
Continued on the next page →



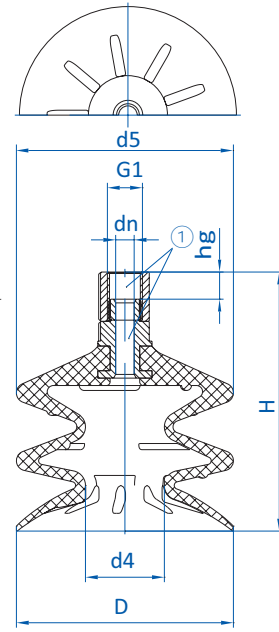
# Vacuum cups | Vacuum cups for demolding

Bellows vacuum cups, universal, 2.5 folds – SBU 2

## Dimensions



Drawing C



Drawing D

① = Aluminum fitting, vulcanized

Item no.	Drawing	∅ D [mm]	∅ d1 [mm]	∅ d2 [mm]	∅ d3 [mm]	∅ d4 [mm]	∅ d5 [mm]	∅ dn [mm]	G1	H [mm]	h1 [mm]	h2 [mm]	hg [mm]
21.004.083.2tr	A	4.5	7	4	--	2	6.5	--	--	14	--	8	--
21.005.057.2/3 21.005.057.2/4	A	5.5	7	4	--	2.5	6.5	--	--	14	--	8.5	--
21.006.093.2	A	6	8	4	--	3	8	--	--	15	--	8	--
21.006.087.2	A	6.5	9	5	--	2.5	6.5	--	--	14.5	--	7.5	--
21.008.094.2	A	7.5	8	4	--	4	7.5	--	--	15	--	8.5	--
21.009.002.2	A	9	9	5	--	4	9	--	--	15	--	7	--
21.010.119.2	A	10	10	5	--	4.5	10	--	--	21	--	7	--
21.012.135.2	A	12	10	5	--	5	12	--	--	21	--	9	--
21.014.133.2	A	14	10	3.8	--	5.5	14	--	--	23	--	7.5	--
21.014.007.2	A	15	10	5	--	4.5	15	--	--	23	--	7	--
21.018.010.2	A	18	10	4.5	--	7	18	--	--	22	--	8.5	--
21.020.016.2	A	20	10	4.5	--	10	20	--	--	23	--	9	--
21.025.060.2	A	25	10	4.8	--	10	25	--	--	33	--	8	--
21.032.075.2	B	32	18	8	15	16.5	32	--	--	36	--	17	--
21.043.049.2	B	42	20	8	15	15.5	42	--	--	46	13	--	--
21.062.055.2	B	62	21	8.5	14.5	27.5	62	--	--	54	13	14.7	--
20.088.123.2	C	88	--	--	--	32	88	7.5	G1/4	94	--	--	9
20.088.124.2	D	88	--	--	--	32	88	7.5	G1/4	105	--	--	11



## FIPA Vacuum cups – Further industry solutions



> Besides the plastics industry FIPA vacuum cups are also successfully used in other markets for many years.



### Vacuum cups for sheet metal handling

- > Flat and bellows vacuum cups for dynamic handling of dry or oiled sheet metal
- > Non-slip handling thanks to "anti-slip" supporting ribs
- > Free of silicone and other paint-wetting-impairment substances (PWIS)



### Vacuum cups for the packaging industry

- > Round, oval and square bellows vacuum cups for gentle product contact
- > Good adaptation to curved or flexible product surfaces
- > Varioflex® bellows cups for good adaptation to uneven product surfaces



### Vacuum cups for the food industry

- > Bellows vacuum cups with flexible lip seal for optimum sealing
- > FDA compliant vacuum cups for bakery products, with multiple bellows for large height compensation and gentle product handling
- > FDA compliant special vacuum cups, e.g. for gentle handling of eggs or chocolates

For the full range of vacuum cups please refer to the FIPA Vacuum Technology Catalog or our website [www.fipa.com](http://www.fipa.com).



# Vacuum cups | Suspensions

Non-rotating internal spring suspensions – smooth body

## Non-rotating internal spring suspensions – smooth body

**NEW**



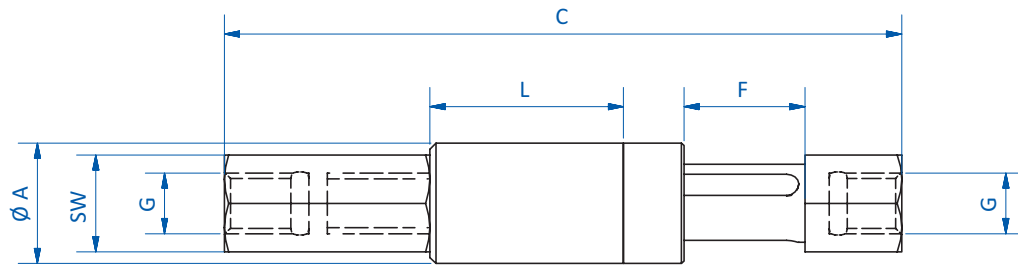
### Product notes

- > Free moving and high-load capability with ball guide technology
- > Clampable smooth body
- > Body and rod made of anodized aluminum

### Technical data

Item no.	Stroke [mm]	Weight [g]
GR03.1010	10	7
GR03.1025	25	11
GR03.1420	20	23
GR03.1435	35	35
GR03.2025	25	54
GR03.2050	50	80

### Dimensions



Item no.	Ø A [mm]	C [mm]	L [mm]	G	F [mm]	SW
GR03.1010	10	56	16	M5	10	8
GR03.1025	10	90.5	35.5	M5	25	8
GR03.1420	14	98.5	31.5	G1/8	20	12
GR03.1435	14	133.5	51.5	G1/8	35	12
GR03.2025	20	110	41	G1/8	25	16
GR03.2050	20	167.5	73.5	G1/8	50	16





### Non-rotating internal spring suspensions – threaded body

**NEW**



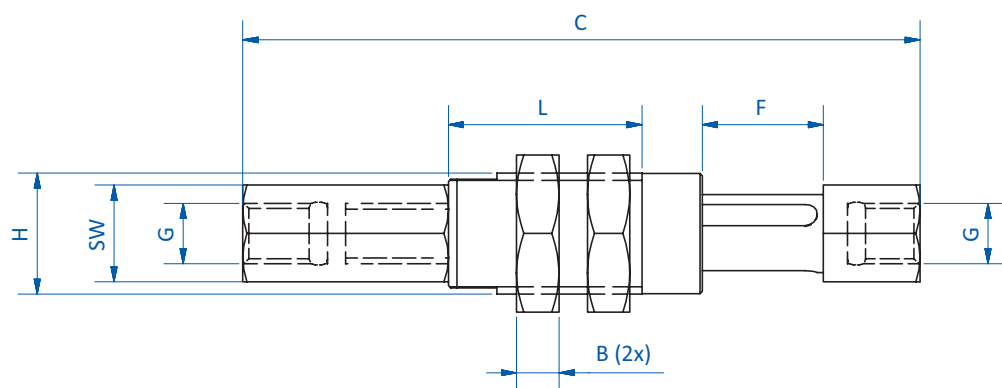
#### Product notes

- > Free moving and high-load capability with ball guide technology
- > Flexible mounting via threaded body
- > Body and rod made of anodized aluminum

#### Technical data

Item no.	Stroke [mm]	Weight [g]
GR03.1010T	10	11
GR03.1025T	25	13
GR03.1210T	10	15
GR03.1225T	25	20
GR03.1620T	20	35
GR03.1635T	35	45
GR03.2025T	25	63
GR03.2050T	50	90
GR03.2540T	40	170
GR03.2580T	80	235

#### Dimensions



GR03.1010T | GR03.1025T

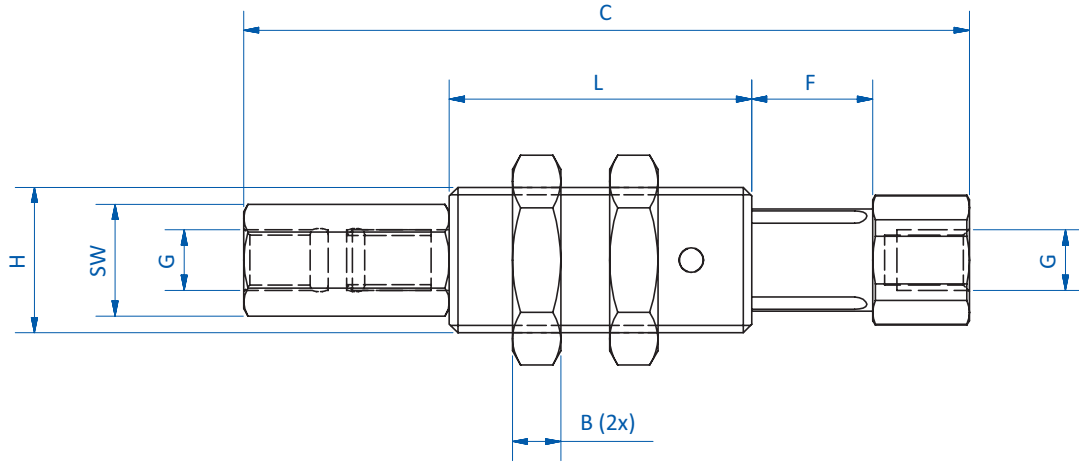
Continued on the next page →



# Vacuum cups | Suspensions

Non-rotating internal spring suspensions – threaded body

## Dimensions



GR03.1210T | GR03.1225T | GR03.1620T | GR03.1635T | GR03.2025T | GR03.2050T | GR03.2540T | GR03.2580T

Item no.	H	B [mm]	C [mm]	L [mm]	G	F [mm]	SW
GR03.1010T	M10x1	3.5	56	16	M5	10	8
GR03.1025T	M10x1	3.5	90.5	35.5	M5	25	8
GR03.1210T	M12x1	4	60	25	M5	10	8
GR03.1225T	M12x1	4	94	44	M5	25	8
GR03.1620T	M16x1	5	98.5	38.5	G1/8	20	12
GR03.1635T	M16x1	5	135	58.5	G1/8	36.5	12
GR03.2025T	M20x1.5	6	113	50	G1/4	25	16
GR03.2050T	M20x1.5	6	170.5	82.5	G1/4	50	16
GR03.2540T	M25x1.5	8	159	71	G3/8	40	22
GR03.2580T	M25x1.5	8	249	121	G3/8	80	22



### Suspensions with internal spring and threaded connection – SZ-NIV-I

**BESTSELLER**



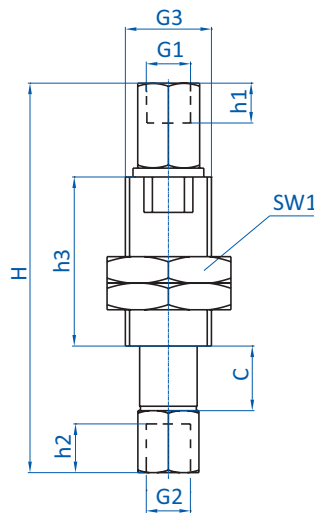
#### Product notes

- > Compensate for height differences
- > Soft attachment for sensitive products
- > With internal spring protected from dirt and with spring deflection limiter
- > Vacuum connection on top, vacuum channel via suspension

#### Technical data

Item no.	Model	Thread suction side G2	Thread fixing bushes G3	Stroke C [mm]	Spring rate [N/mm]	Max. spring force [N]	Spring pre-load [N]	Weight [g]	Suitable mounting bracket
50.120	SZ-NIV-I-M5-IG-7	M5-female	G1/8-male	7	0.606	6	1.8	17	GR02.230 (p.86)
50.123	SZ-NIV-I-G1/8-AG-8	G1/8-male	M14x1.5-male	8	0.097	2.6	1.8	41	--
50.124	SZ-NIV-I-G1/8-AG-20	G1/8-male	M16x1-male	19	0.482	12.8	3.7	73	GR02.231 (p.86)

#### Dimensions



50.120

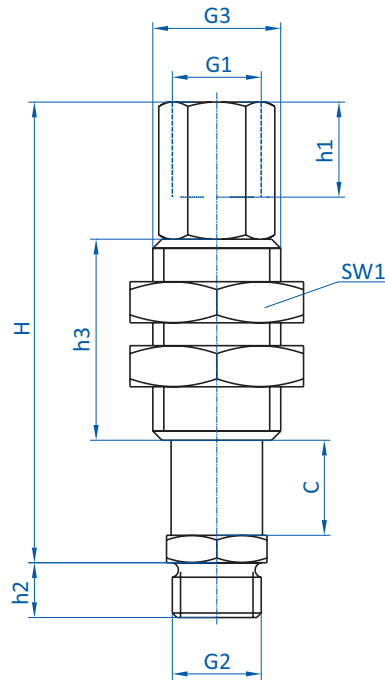
Continued on the next page →



# Vacuum cups | Suspensions

Suspensions with internal spring and threaded connection – SZ-NIV-I

## Dimensions



50.123 | 50.124

Item no.	H [mm]	h1 [mm]	h2 [mm]	h3 [mm]	SW1	G1 (female)	G2 (female)	G2 (male)	G3 (male)	C [mm]
50.120	44	4.3	5	19	14	M5	M5	--	G1/8	7
50.123	50	10	6	22	19	G1/8	--	G1/8	M14x1.5	8
50.124	73	12	5.6	35	21	G1/8	--	G1/8	M16x1	20



### Standard suspensions with threaded connection – SZ-NIV-S



#### Product notes

- > Compensate for height differences
- > Soft attachment for sensitive products
- > Leveling as standard version
- > Vacuum connection on top, vacuum channel via suspension
- > Also available non-rotating (M5-female)

#### Notes

- > Recommendation: For the best possible service life do not exceed max. stroke indicated

#### Technical data

Item no.	Model	Thread suction side G2	Thread fixing bushes G3	Stroke C [mm]	Spring rate [N/mm]	Max. spring force [N]	Spring pre-load [N]	Non-rotating	Weight [g]	Suitable mounting bracket
50.158	SZ-NIV-S-M5-IG-5	M5-female	G1/8-male	5	0.393	4	2	--	17	GR02.230 (p.86)
50.149	SZ-NIV-S-M5-IG-10	M5-female	G1/8-male	10	0.361	5.8	2.2	--	18	GR02.230 (p.86)
50.152	SZ-NIV-S-M5-IG-10-VS	M5-female	G1/8-male	10	0.361	5.5	1.9	Yes	19	GR02.230 (p.86)
50.150	SZ-NIV-S-M5-IG-20	M5-female	G1/8-male	18	0.227	4.3	0.3	--	20	GR02.230 (p.86)
50.153	SZ-NIV-S-M5-IG-20-VS	M5-female	G1/8-male	20	0.227	4.8	0.3	Yes	21	GR02.230 (p.86)
50.230	SZ-NIV-S-G1/8-AG-15	G1/8-male	M16x1-male	15	0.211	6.5	3.3	--	94	GR02.231 (p.86)
50.160	SZ-NIV-S-G1/8-AG-25	G1/8-male	M16x1-male	25	0.231	8.7	2.9	--	94	GR02.231 (p.86)
50.162	SZ-NIV-S-G1/8-AG-50	G1/8-male	M16x1-male	50	0.156	9.7	1.9	--	110	GR02.231 (p.86)
50.164	SZ-NIV-S-G1/4-AG-25	G1/4-male	M20x1.5-male	25	0.65	18.3	2	--	136	GR02.232 (p.86)
50.166	SZ-NIV-S-G1/4-AG-75	G1/4-male	M20x1.5-male	75	0.245	19.4	1.1	--	195	GR02.232 (p.86)

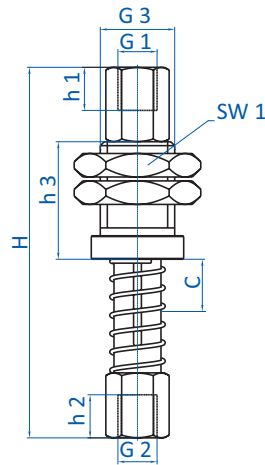
Continued on the next page →



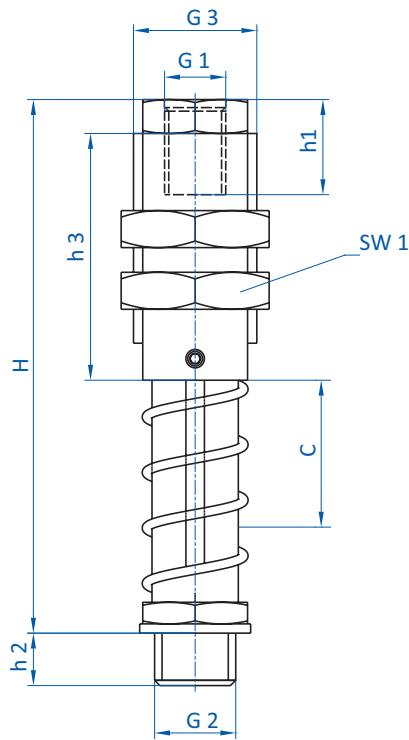
# Vacuum cups | Suspensions

Standard suspensions with threaded connection – SZ-NIV-S

## Dimensions



50.158 | 50.149 | 50.152 | 50.150 | 50.153



50.230 | 50.160 | 50.162 | 50.164 | 50.166

Item no.	H [mm]	h1 [mm]	h2 [mm]	h3 [mm]	SW1	G1 (female)	G2 (male)	G2 (female)	G3 (male)	C [mm]
50.158	43	5.5	6.2	15	14	M5	--	M5	G1/8	5
50.149	47	5.5	6.2	15	14	M5	--	M5	G1/8	10
50.152	47	5.5	6.2	15	14	M5	--	M5	G1/8	10
50.150	59	5.5	6.2	15	14	M5	--	M5	G1/8	20
50.153	59	5.5	6.2	15	14	M5	--	M5	G1/8	20
50.230	72	8	6.5	30	22	G1/8	G1/8	--	M16x1	15
50.160	85	8.5	8.5	30	22	G1/8	G1/8	--	M16x1	25
50.162	116	8.5	6.5	30	22	G1/8	G1/8	--	M16x1	50
50.164	95	15	9	40	24	G1/8	G1/4	--	M20x1.5	25
50.166	153	15	10.5	40	24	G1/8	G1/4	--	M20x1.5	75

<b>Grippers at a glance</b> .....	<b>162</b>
<b>Sprue grippers</b> .....	<b>164</b>
<b>Gripper fingers</b> .....	<b>200</b>
<b>Gripper finger accessories</b> .....	<b>204</b>
<b>Parallel grippers</b> .....	<b>209</b>
<b>Angular grippers</b> .....	<b>233</b>
<b>Expansion grippers</b> .....	<b>242</b>
<b>Special grippers at a glance</b> .....	<b>254</b>
<b>Needle grippers</b> .....	<b>256</b>
<b>Magnetic grippers</b> .....	<b>269</b>
<b>Bernoulli vacuum cups</b> .....	<b>270</b>
<b>Customized grippers</b> .....	<b>278</b>



## FIPA Grippers

> Active gripper elements for secure and precise demolding of plastic parts or general handling of workpieces



### Sprue grippers

- > Wide jaw opening for large sprues
- > Narrow closing-gap for small sprues
- > Single-acting or double-acting
- > Series 130 and 140 come with self-centering factory setting, easy to deactivate if required
- > Detects sprues larger 1 mm

> See page 164



### Grippers with stroke

- > For flat sprues or flaps
- > Feed lift for demolding of plastic parts
- > Return lift for depositing
- > Double-acting and self-centering
- > Detects parts larger 1 mm

> See page 190



### Grippers for direct mounting

- > Compact design for direct integration to extrusions
- > Single-acting (GR04.110A and B) and double-acting (GR04.110)
- > Detects sprues larger 1 mm

> See page 193



### Gripper fingers

- > Gripping behind and clamping workpieces
- > 35° and 95° lift
- > HNBR elastomer pads for gentle product contact
- > Centering and stop elements available

> See page 200



### Parallel and angular grippers

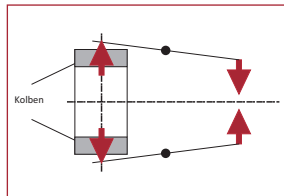
- > Parallel grippers with large stroke
- > 2-finger parallel gripper for pick & place applications, handling of inserts
- > 3-finger gripper for precise handling of e.g. inserts
- > Angle grippers for gripping on undercuts or for clamping parts
- > For short cycle times, double-acting grippers available

> See page 209





## FIPA Sprue grippers – technical properties



### Very high gripping force

- > Force directly transferred to gripper jaws by two pneumatic pistons
- > Wear is minimized, gripping force is maximized



### Long life due to robust design

- > Gripper body and jaws made of high-strength, anodized aluminum alloy
- > Maximizes wear resistance and lifetime



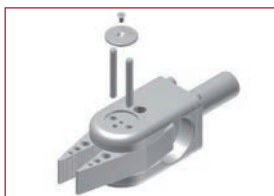
### Direct part detection

- > Large area sensor activation, independent of sprue position in the gripper
- > PNP and NPN sensors
- > Detects sprues larger 1 mm
- > Integrated control LED



### Indirect part detection

- > Sensor activated if no part has been gripped and jaws are fully closed
- > PNP and NPN sensors
- > Sensors without mechanical or moving components, suitable for high loads
- > Integrated control LED



### Series 130 and 140 can be easily disassembled without snap rings

- > Jaws quickly exchanged
- > Grippers easily changed over to non-self-centering



# Grippers | Sprue grippers

Series 60 – miniature grippers, clamping diameter 10 mm

Series 60 – miniature grippers, clamping diameter 10 mm

**NEW**



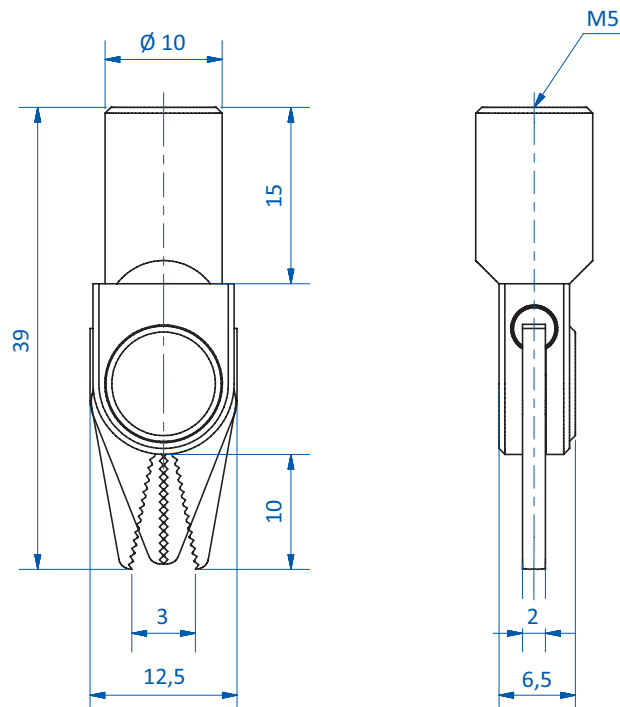
## Product notes

- > Gripper for small sprues and restricted space
- > Gap-free closing
- > Body and jaws made of high-strength anodized aluminum alloy
- > Single-acting
- > Medium: filtered and oiled/unoiled air

## Technical data

Item no.	Operating pressure [bar (psi)]	Closing force at 6 bar (87 psi) [N]	Weight [g/m]
<b>GR04.060</b>	6 (87)	3.5	5.3

## Dimensions





Series 80 – miniature sprue gripper



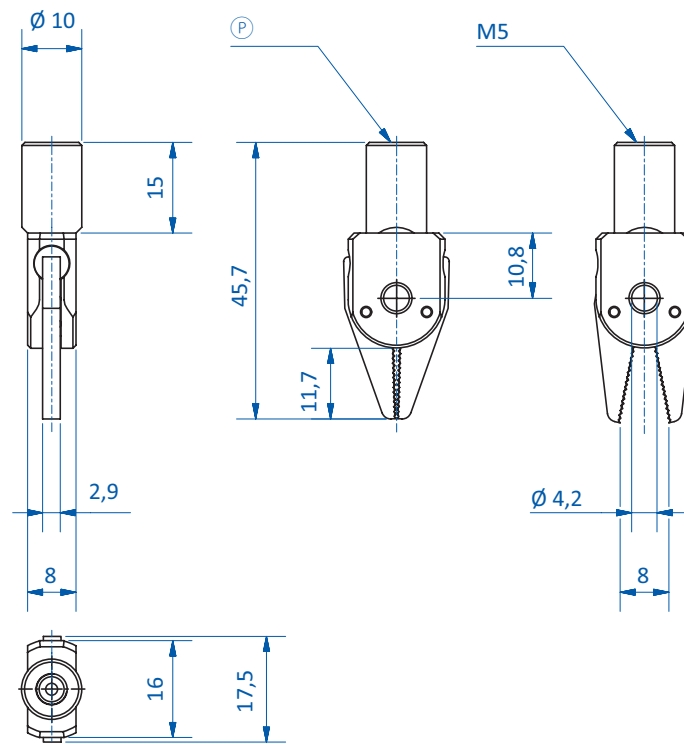
Product notes

- > Clamping diameter 10 mm
- > Body and jaws made of anodized aluminum alloy
- > Principle of operation: single-acting
- > Medium: filtered and oiled/unoiled air

Technical data

Item no.	Max. operating pressure [bar (psi)]	Closing force at 6 bar (87 psi) [N]	Weight [g]
GR04.080	6 (87)	12	8

Dimensions





# Grippers | Sprue grippers

Series 90 – miniature sprue grippers, clamping diameter 10 mm – single-acting

## Series 90 – miniature sprue grippers, clamping diameter 10 mm – single-acting



### Product notes

- > Grippers for small gates and limited space requirement
- > High gripping force and wide jaw opening
- > Housings and gripper jaws consist of an anodized, high-strength aluminum alloy
- > Model H with replaceable HNBR pads for gentle handling
- > Index 1N and 1P for direct sensor monitoring
- > Index 2N and 2P for teachable sensors
- > Index 3P for indirect sensor monitoring
- > Single-acting
- > Medium: filtered and oiled/non-oiled air

### Notes

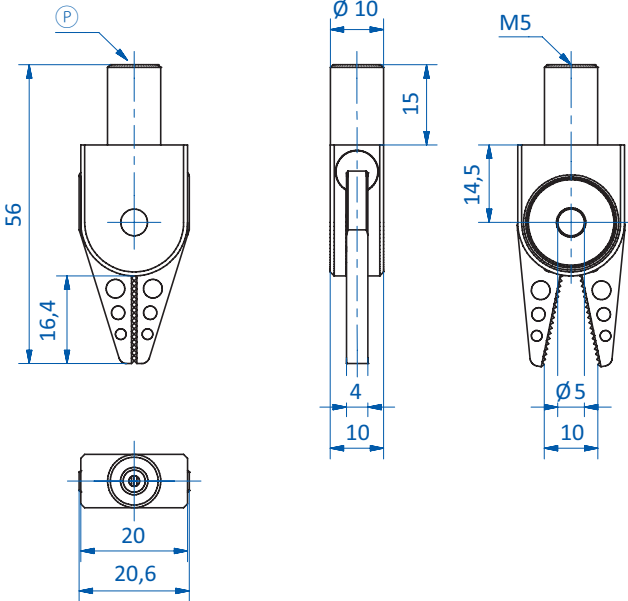
- > PNP Inverter 20.530 enables direct control of parts on gripper GR04.090-3N: Sensor triggers as soon as part is gripped
- > The converter 20.531 enables the use of grippers in NPN circuits

### Technical data

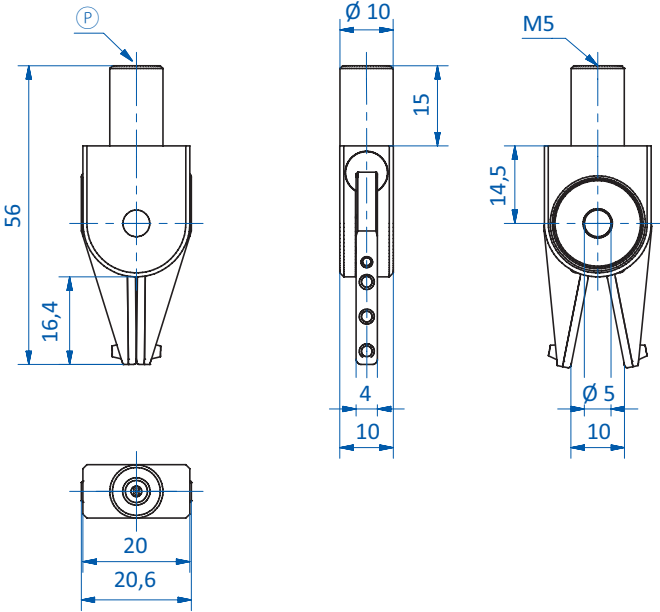
Item no.	Jaw design	Operating pressure [bar (psi)]	Sensor	Closing force at 6 bar (87 psi) [N]	Weight [g]	Accessories
<b>GR04.090</b>	Standard	2.5 - 6 (36.3 - 87)	--	15	14	--
<b>GR04.090H</b>	HNBR pad	2.5 - 6 (36.3 - 87)	--	15	15	HNBR pad: GR04.090-4
<b>GR04.090-1N</b>	Standard	2.5 - 6 (36.3 - 87)	NPN	15	16	Plug connector: 20.527 (p.411) Plug connector: 20.528 (p.411) Connector cable: 20.503 (p.410) Connector cable: 20.507 (p.410)
<b>GR04.090-1P</b>	Standard	2.5 - 6 (36.3 - 87)	PNP	15	16	Plug connector: 20.527 (p.411) Plug connector: 20.528 (p.411) Connector cable: 20.503 (p.410) Connector cable: 20.507 (p.410)
<b>GR04.090-3P</b>	Standard	2.5 - 6 (36.3 - 87)	PNP	15	14	Connector cable: 20.503 (p.410) Signal converter: 20.530 (p.422) Signal converter: 20.531 (p.422)
<b>GR04.090H-2N</b>	HNBR pad	2.5 - 6 (36.3 - 87)	NPN	15	17	Connector cable: 20.501 (p.410) Connector cable: 20.502 (p.410) HNBR pad: GR04.090-4
<b>GR04.090H-2P</b>	HNBR pad	2.5 - 6 (36.3 - 87)	PNP	15	17	Connector cable: 20.501 (p.410) Connector cable: 20.502 (p.410) HNBR pad: GR04.090-4



Dimensions



GR04.090



GR04.090H

Ⓟ = Compressed air connection

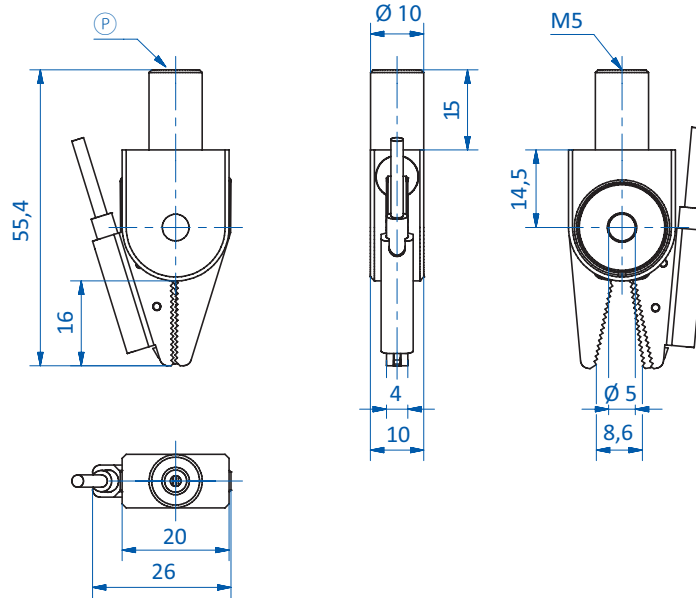
Continued on the next page →



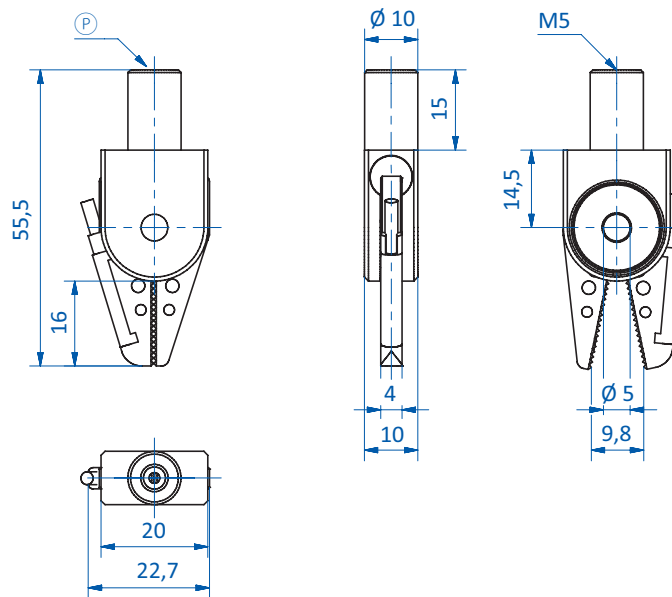
# Grippers | Sprue grippers

Series 90 – miniature sprue grippers, clamping diameter 10 mm – single-acting

## Dimensions



GR04.090-1N | GR04.090-1P

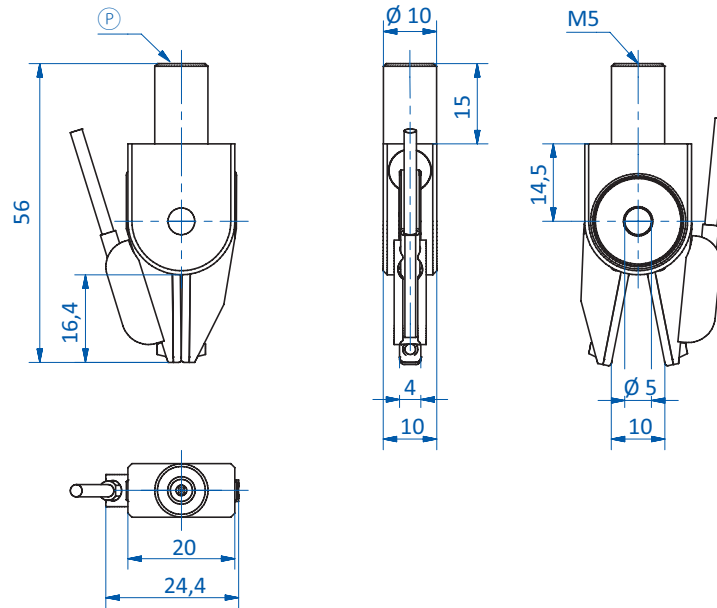


GR04.090-3P

Ⓟ = Compressed air connection



## Dimensions



GR04.090H-2N | GR04.090H-2P

Ⓟ = Compressed air connection



# Grippers | Sprue grippers

Series 100 – sprue grippers, clamping diameter 10 mm – single-acting

## Series 100 – sprue grippers, clamping diameter 10 mm – single-acting



### Product notes

- > Grippers with wide jaw opening for large gates
- > Gap-free closing for flat gates
- > Housings and gripper jaws consist of an anodized, high-strength aluminum alloy
- > Model B with rounded gripper jaws for large/inclined gates
- > Model U for special gripper jaws; the closing force depends on the shape of the gripper jaws
- > Model S with sawtooth profile for inclined gates
- > Model H with replaceable HNBR pads for gentle handling
- > Model XW with extra wide gripper jaws
- > Index 1N and 1P for direct monitoring; large-area sensor operation, regardless of the position of the gate in the gripper
- > Index 2N and 2P for direct monitoring; sensor with two freely adjustable switching points
- > Index 3N and 3P for indirect monitoring; signal triggering if no component has been gripped; no moving parts and thus increased mechanical stability
- > Single-acting
- > Medium: filtered and oiled/non-oiled air

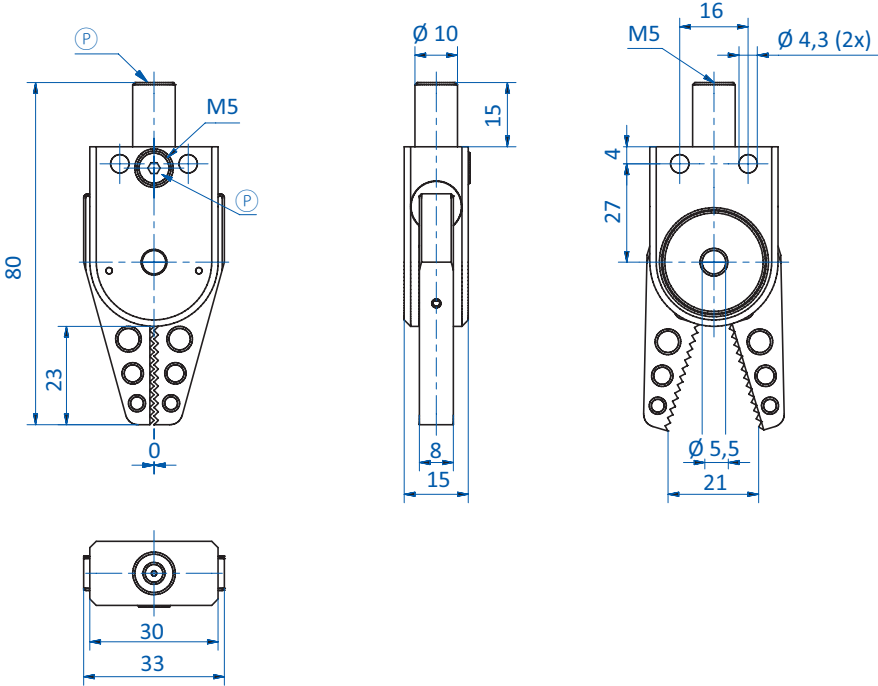
### Technical data

Item no.	Jaw design	Operating pressure [bar (psi)]	Sensor	Closing force at 6 bar (87 psi) [N]	Weight [g]	Accessories
<b>GR04.100</b>	Standard	2.5 - 8 (36.3 - 116)	--	22	49	--
<b>GR04.100B</b>	Sawtooth jaws round	2.5 - 8 (36.3 - 116)	--	22	49	--
<b>GR04.100U</b>	Universal	2.5 - 8 (36.3 - 116)	--	--	44	--
<b>GR04.100S</b>	Sawtooth jaws straight	2.5 - 8 (36.3 - 116)	--	22	49	--
<b>GR04.100H</b>	HNBR pad	2.5 - 8 (36.3 - 116)	--	22	46	HNBR pad: GR04.103-4HNBR
<b>GR04.100HNBR</b>	Fully HNBR-coated	2.5 - 8 (36.3 - 116)	--	22	48	--
<b>GR04.100XW</b>	Xwide	2.5 - 8 (36.3 - 116)	--	22	85	--
<b>GR04.100-1N</b>	Standard	2.5 - 8 (36.3 - 116)	NPN	22	52	Sensor: GS04.002 (p.408) Connector cable: 20.503 (p.410)
<b>GR04.100-1P</b>	Standard	2.5 - 8 (36.3 - 116)	PNP	22	52	Sensor: GS04.001 (p.408) Connector cable: 20.503 (p.410)
<b>GR04.100-2N</b>	Standard	2.5 - 8 (36.3 - 116)	NPN	22	53	Sensor: GS04.006 Connector cable: 20.501 (p.410) Connector cable: 20.502 (p.410)
<b>GR04.100-2P</b>	Standard	2.5 - 8 (36.3 - 116)	PNP	22	53	Sensor: GS04.005 Connector cable: 20.501 (p.410) Connector cable: 20.502 (p.410)
<b>GR04.100-3N</b>	Standard	2.5 - 8 (36.3 - 116)	NPN	22	50	Sensor: GR04.203N (p.404) Connector cable: 20.503 (p.410)
<b>GR04.100-3P</b>	Standard	2.5 - 8 (36.3 - 116)	PNP	22	50	Sensor: GR04.203P (p.404) Connector cable: 20.503 (p.410)
<b>GR04.100H-2N</b>	HNBR pad	2.5 - 8 (36.3 - 116)	NPN	22	50	Sensor: GS04.006 Connector cable: 20.503 (p.410) HNBR pad: GR04.103-4HNBR
<b>GR04.100H-2P</b>	HNBR pad	2.5 - 8 (36.3 - 116)	PNP	22	50	Sensor: GS04.005 Connector cable: 20.503 (p.410) HNBR pad: GR04.103-4HNBR

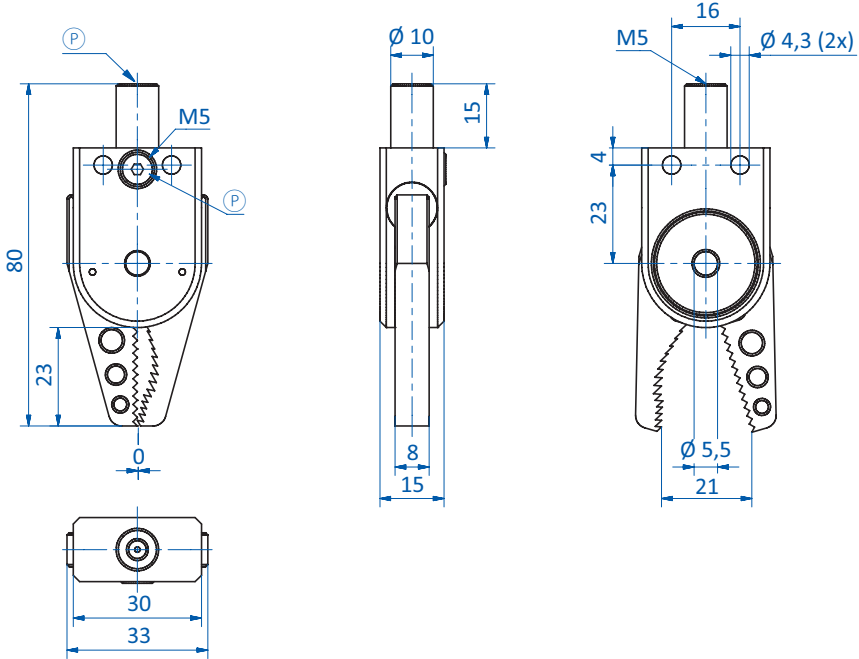




Dimensions



GR04.100



GR04.100B

Ⓟ = Compressed air connection

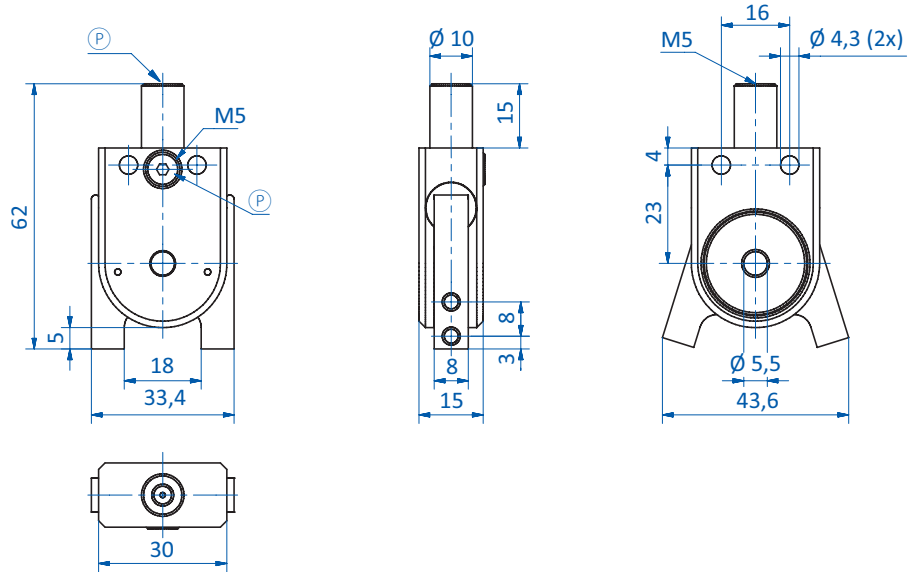
Continued on the next page →



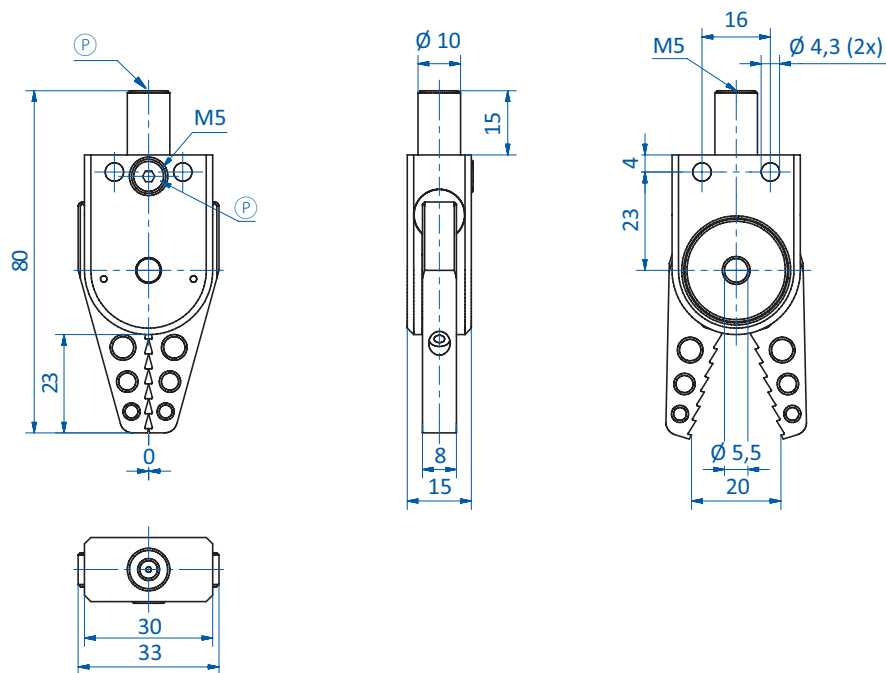
# Grippers | Sprue grippers

Series 100 – sprue grippers, clamping diameter 10 mm – single-acting

## Dimensions



GR04.100U

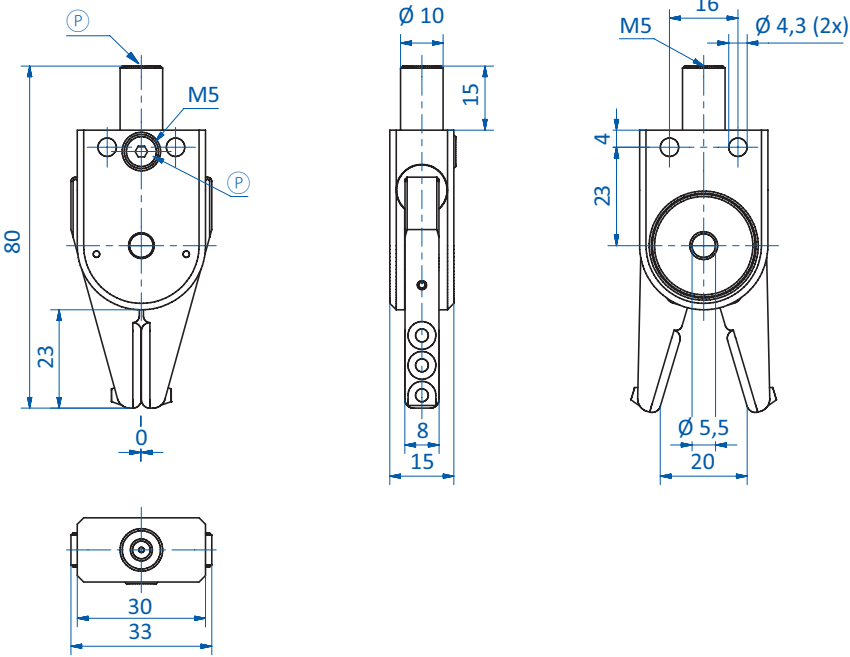


GR04.100S

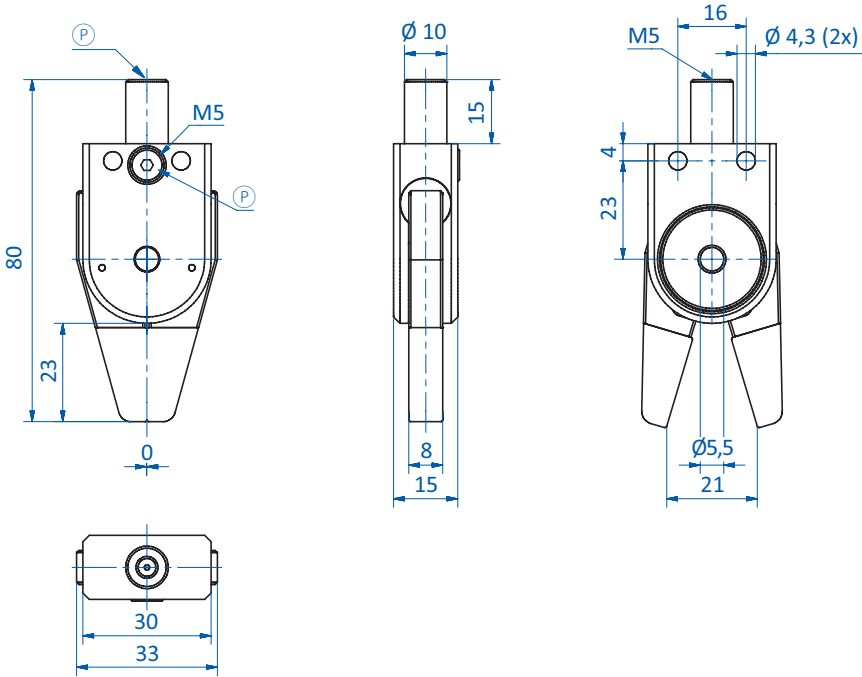
Ⓟ = Compressed air connection



Dimensions



GR04.100H



GR04.100HNBR

Ⓟ = Compressed air connection

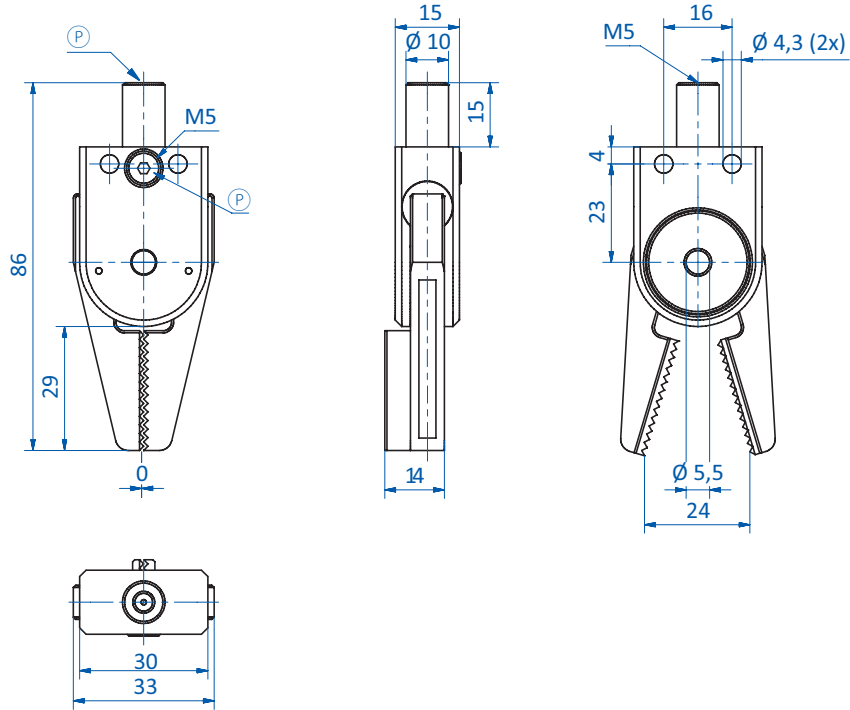
Continued on the next page



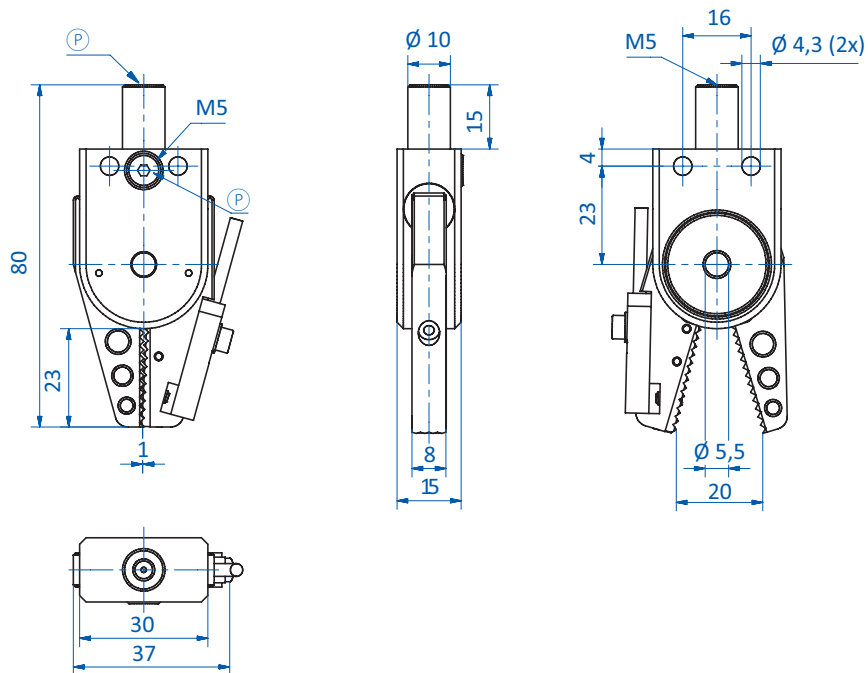
# Grippers | Sprue grippers

Series 100 – sprue grippers, clamping diameter 10 mm – single-acting

## Dimensions



GR04.100XW

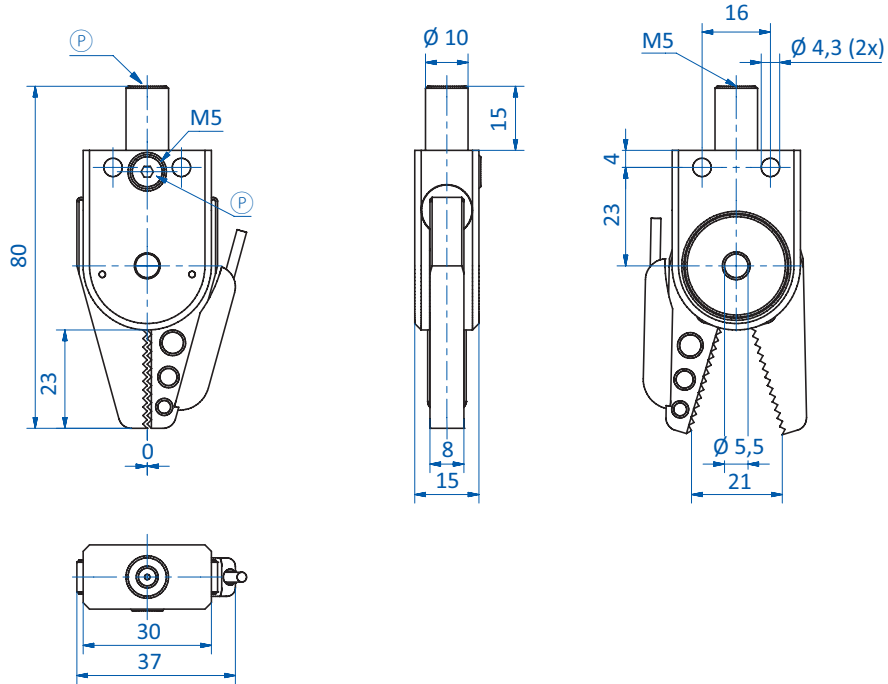


GR04.100-1N | GR04.100-1P

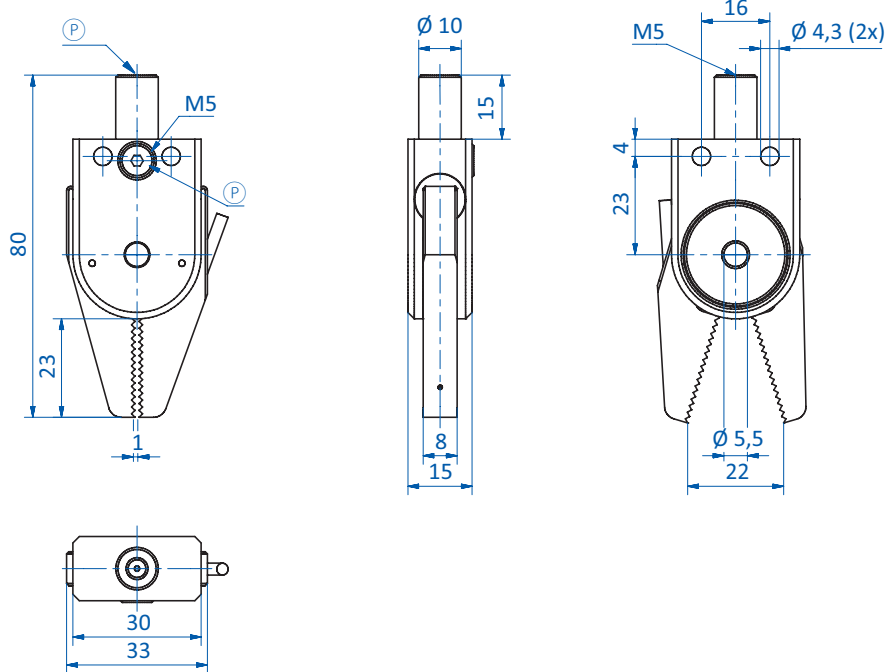
Ⓟ = Compressed air connection



## Dimensions



GR04.100-2N | GR04.100-2P



GR04.100-3N | GR04.100-3P

Ⓟ = Compressed air connection

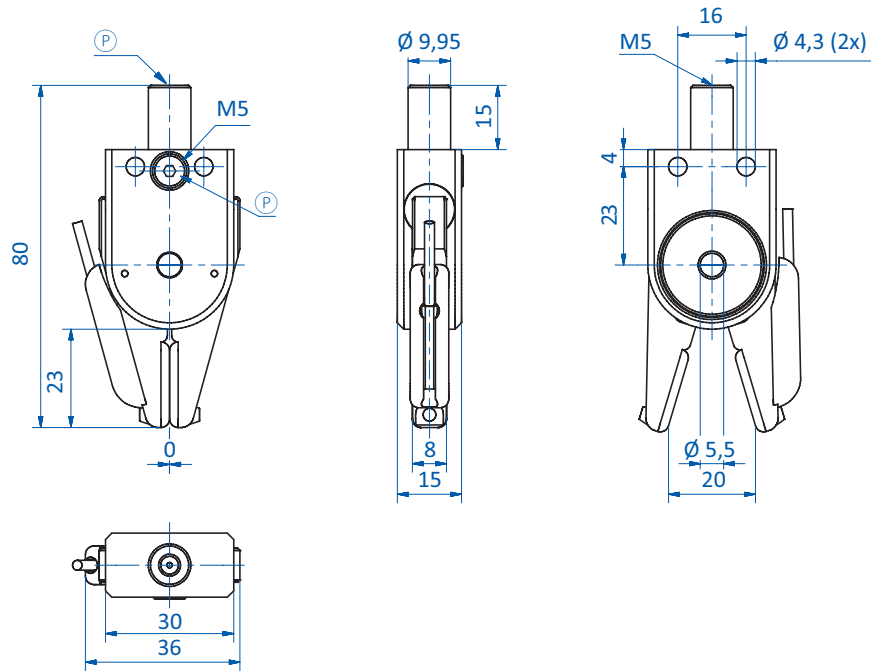
Continued on the next page →



# Grippers | Sprue grippers

Series 100 – sprue grippers, clamping diameter 10 mm – single-acting

## Dimensions



GR04.100H-2N | GR04.100H-2P

Ⓟ = Compressed air connection



### Series 100 – sprue grippers, clamping diameter 10 mm – double-acting



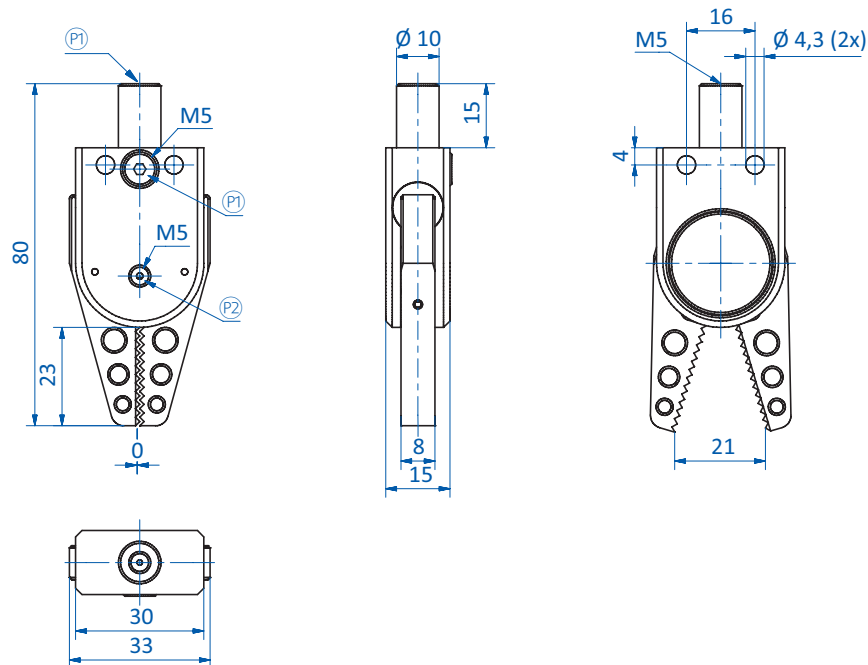
#### Product notes

- > Grippers with wide jaw opening for large gates
- > Gap-free closing for flat gates
- > Dual-action for short cycle times; opening and closing separately controllable
- > Housings and gripper jaws consist of an anodized, high-strength aluminum alloy
- > Double-acting
- > Medium: filtered and oiled/non-oiled air

#### Technical data

Item no.	Jaw design	Operating pressure [bar (psi)]	Closing force at 6 bar (87 psi) [N]	Weight [g]
<b>GR04.102</b>	Standard	2.5 - 8 (36.3 - 116)	20	51

#### Dimensions



P1 = Compressed air supply (close) P2 = Compressed air supply (open)



# Grippers | Sprue grippers

Series 130 – sprue grippers, clamping diameter 20 mm – single-acting

## Series 130 – sprue grippers, clamping diameter 20 mm – single-acting



### Product notes

- > Grippers with strong gripping force and wide jaw opening for large gates
- > Tight closing for flat gates
- > GR04.130 with straight gripper jaws
- > Housings and gripper jaws consist of an anodized, high-strength aluminum alloy
- > Model B with rounded gripper jaws for large/inclined gates
- > Model U for special gripper jaws; the closing force depends on the shape of the gripper jaws
- > Model S with sawtooth profile for inclined gates
- > Model H with replaceable HNBR pads for gentle handling
- > Model XW with extra wide gripper jaws
- > Index 1N and 1P for direct monitoring; large-area sensor operation, regardless of the position of the gate in the gripper
- > Index 3N and 3P for indirect monitoring; signal triggering if no component has been gripped; no moving parts and thus increased mechanical stability
- > Single-acting
- > Medium: filtered and oiled/non-oiled air

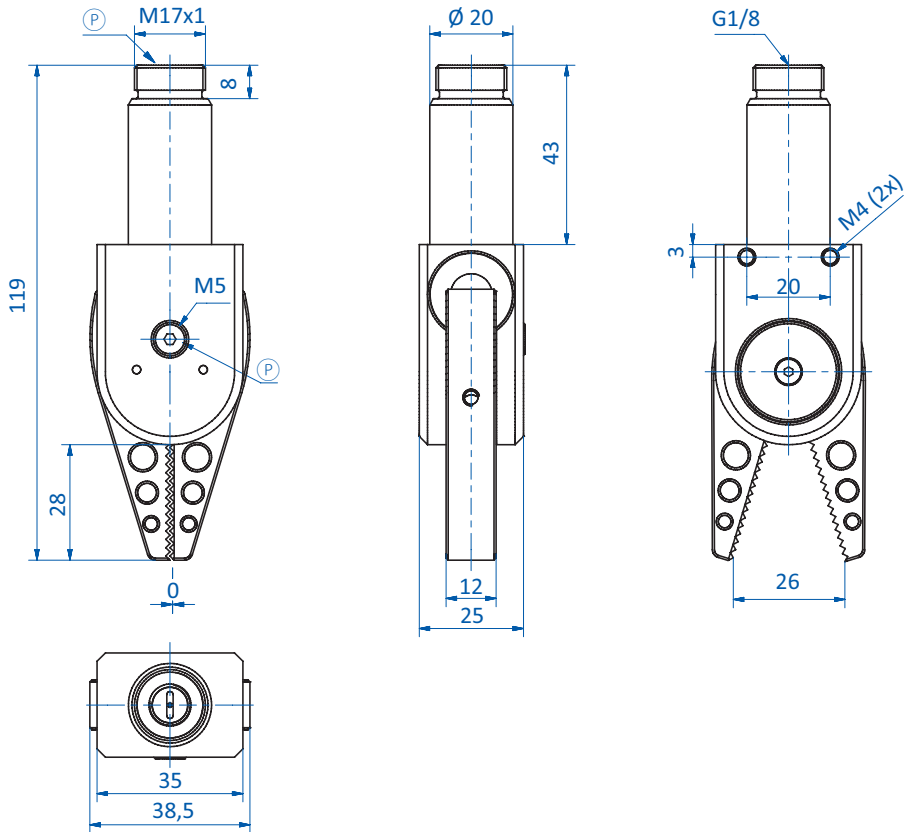
### Technical data

Item no.	Jaw design	Operating pressure [bar (psi)]	Sensor	Closing force at 6 bar (87 psi) [N]	Weight [g]	Accessories
<b>GR04.130</b>	Standard	2.5 - 8 (36.3 - 116)	--	95	133	--
<b>GR04.130B</b>	Sawtooth jaws round	2.5 - 8 (36.3 - 116)	--	95	131	--
<b>GR04.130U</b>	Universal	2.5 - 8 (36.3 - 116)	--	--	128	--
<b>GR04.130H</b>	HNBR pad	2.5 - 8 (36.3 - 116)	--	95	137	Extension tube: GR06.022 (p.90) HNBR pad: GR04.130C-4HNBR
<b>GR04.130-1N</b>	Standard	2.5 - 8 (36.3 - 116)	NPN	95	141	Extension tube: GR06.022 (p.90) Connector cable: 20.503 (p.410) Sensor: GS04.002 (p.408)
<b>GR04.130-1P</b>	Standard	2.5 - 8 (36.3 - 116)	PNP	95	141	Extension tube: GR06.022 (p.90) Connector cable: 20.503 (p.410) Sensor: GS04.001 (p.408)
<b>GR04.130B-1N</b>	Sawtooth jaws round	2.5 - 8 (36.3 - 116)	NPN	95	140	Extension tube: GR06.022 (p.90) Connector cable: 20.503 (p.410) Sensor: GS04.002 (p.408)
<b>GR04.130B-1P</b>	Sawtooth jaws round	2.5 - 8 (36.3 - 116)	PNP	95	140	Extension tube: GR06.022 (p.90) Connector cable: 20.503 (p.410) Sensor: GS04.001 (p.408)
<b>GR04.130XW-3P</b>	Xwide	2.5 - 8 (36.3 - 116)	PNP	95	139	Extension tube: GR06.022 (p.90) Connector cable: 20.503 (p.410) Sensor: GR04.203P (p.404)





Dimensions



GR04.130

Ⓟ = Compressed air connection

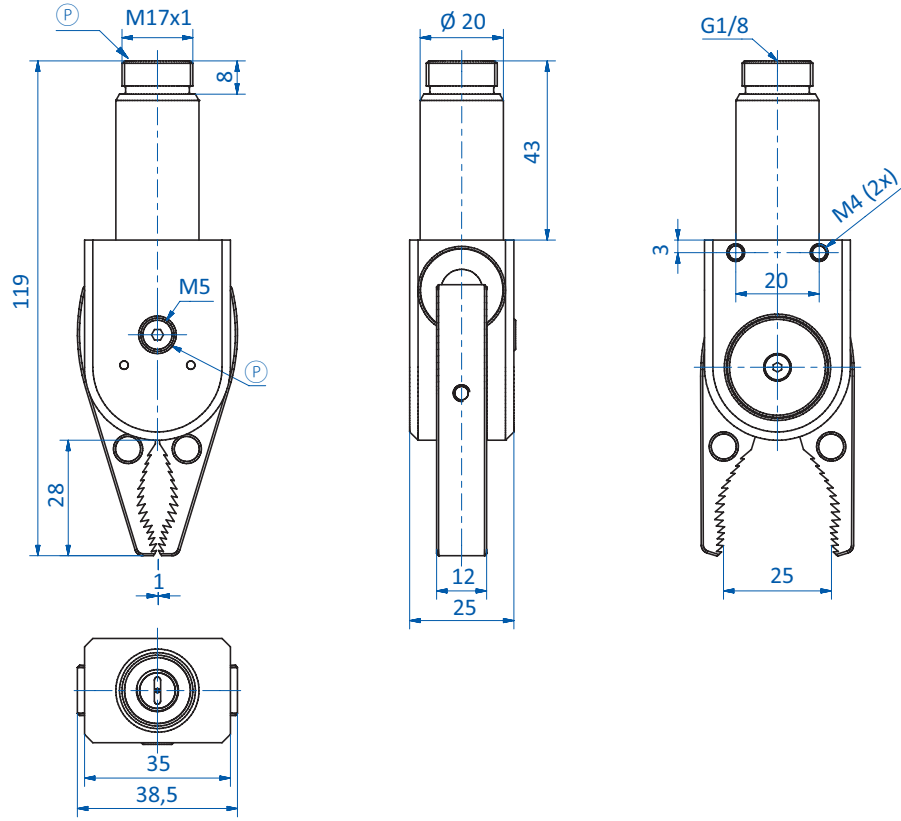
Continued on the next page →



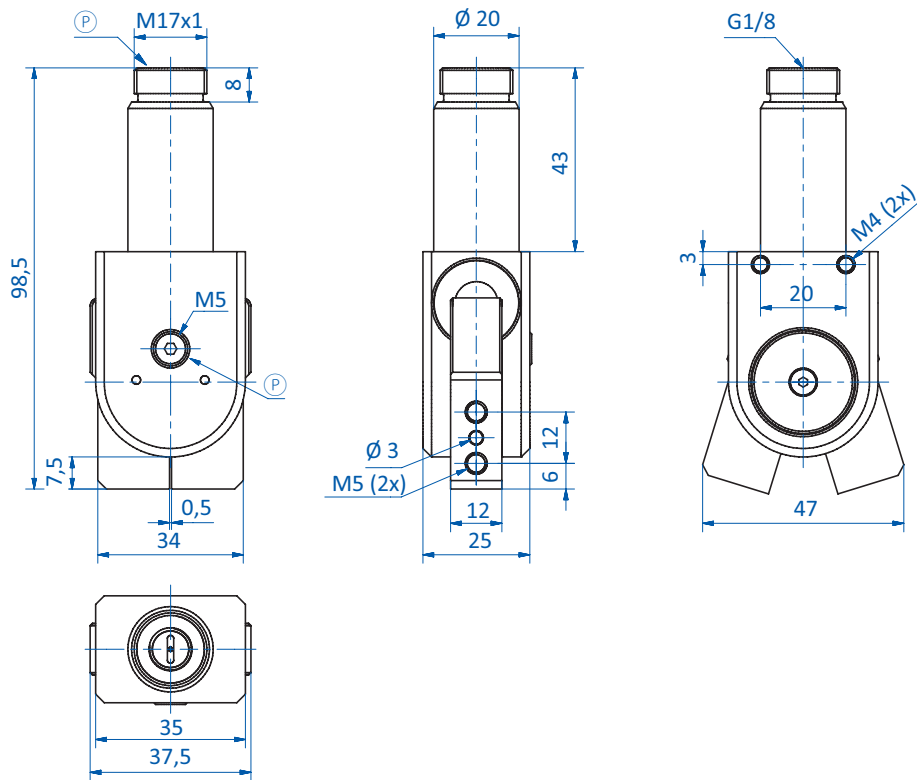
# Grippers | Sprue grippers

Series 130 – sprue grippers, clamping diameter 20 mm – single-acting

## Dimensions



GR04.130B

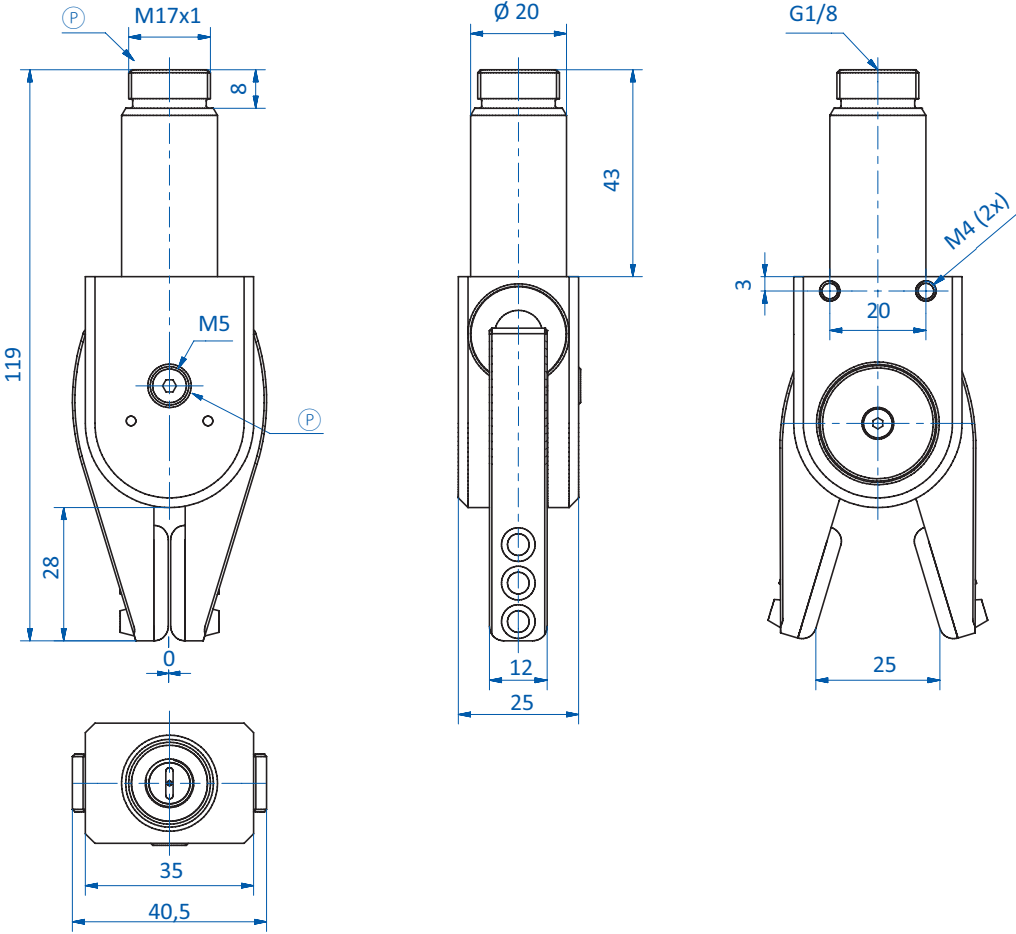


GR04.130U

Ⓟ = Compressed air connection



Dimensions



GR04.130H

Ⓟ = Compressed air connection

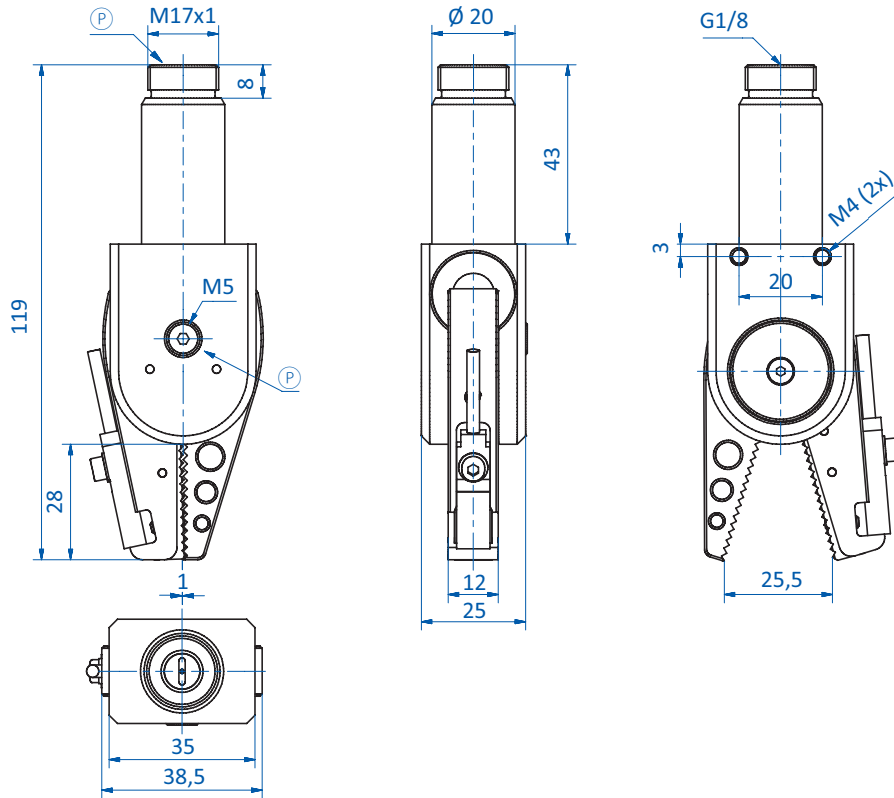
Continued on the next page →



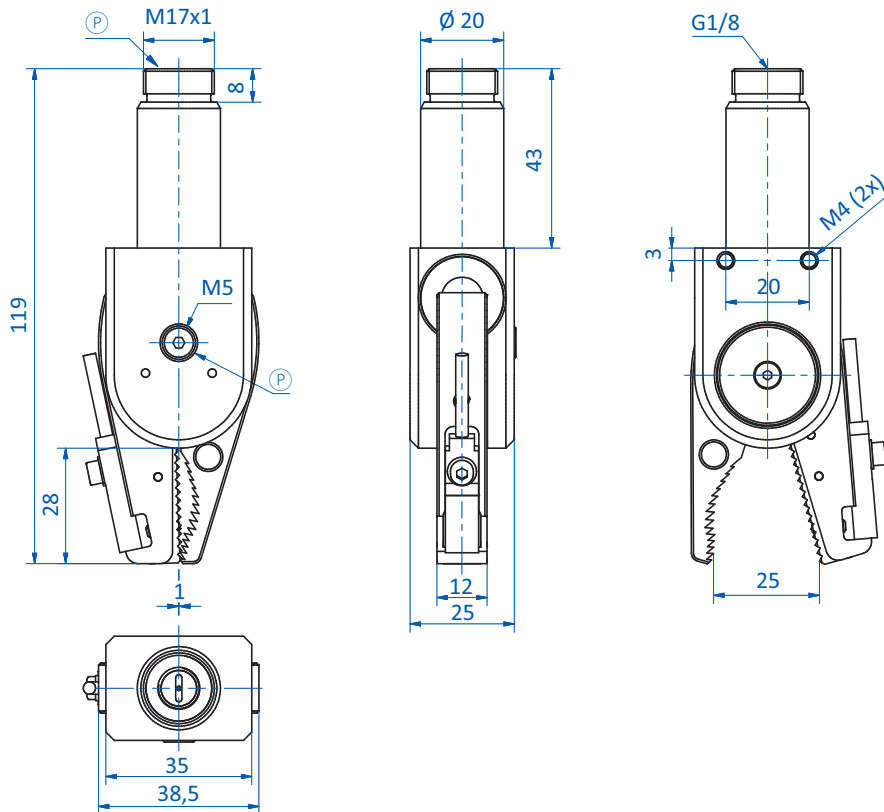
# Grippers | Sprue grippers

Series 130 – sprue grippers, clamping diameter 20 mm – single-acting

## Dimensions



GR04.130-1N | GR04.130-1P

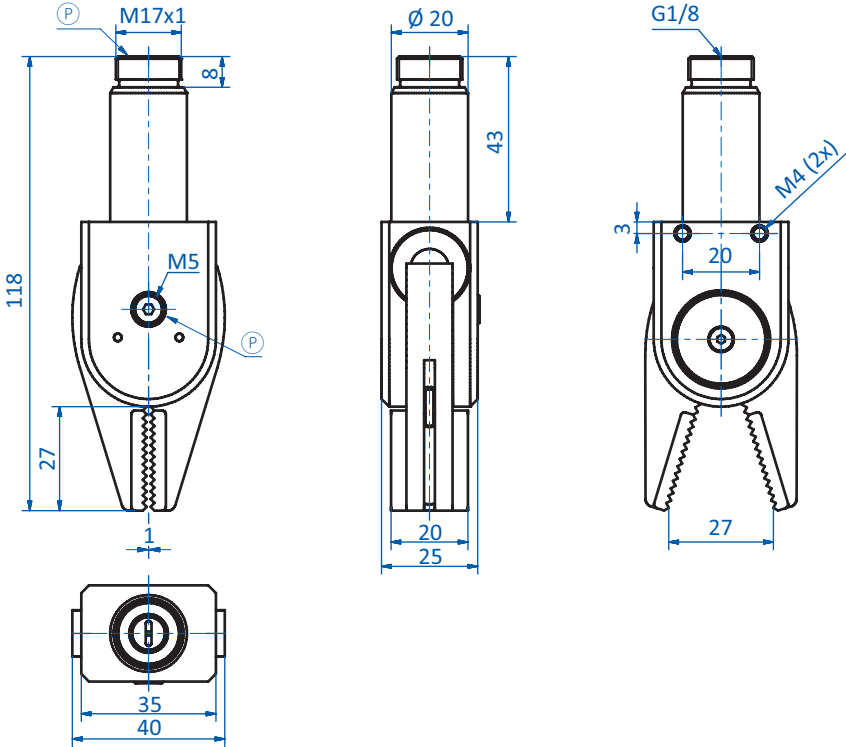


GR04.130B-1N | GR04.130B-1P

Ⓟ = Compressed air connection



Dimensions



GR04.130XW-3P

Ⓟ = Compressed air connection



# Grippers | Sprue grippers

Series 2016 – sprue grippers, without sensor

## Series 2016 – sprue grippers, without sensor

SELF-CENTERING



GR04.2016R with straight jaws



Sprue gripper GR04.2016H with HNBR pads

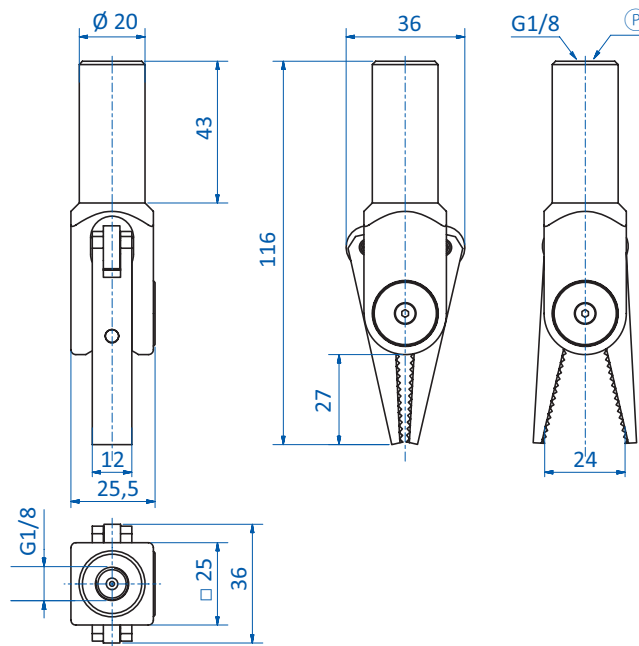
### Product notes

- > Clamping diameter 20 mm
- > Grippers with wide opening jaws and high gripping force
- > GR04.2016S with sawtooth jaws for a higher gripping force
- > GR04.2016H with interchangeable HNBR pads for gentle gripping
- > Easy assembly/disassembly of the gripper jaws
- > Jaws made of zinc-plated steel
- > If a sprue detection is needed please use the grippers GR04.2016RC or GR04.2016SC with direct part detection
- > Body and jaws made of anodized aluminum
- > Principle of operation: single-acting
- > Medium: Filtered and oiled/unoiled air

### Technical data

Item no.	Max. operating pressure [bar (psi)]	Closing force at 6 bar (87 psi) [N]	Weight [g]
GR04.2016R	6 (87)	52	148
GR04.2016S	6 (87)	52	148
GR04.2016H	6 (87)	52	148

### Dimensions

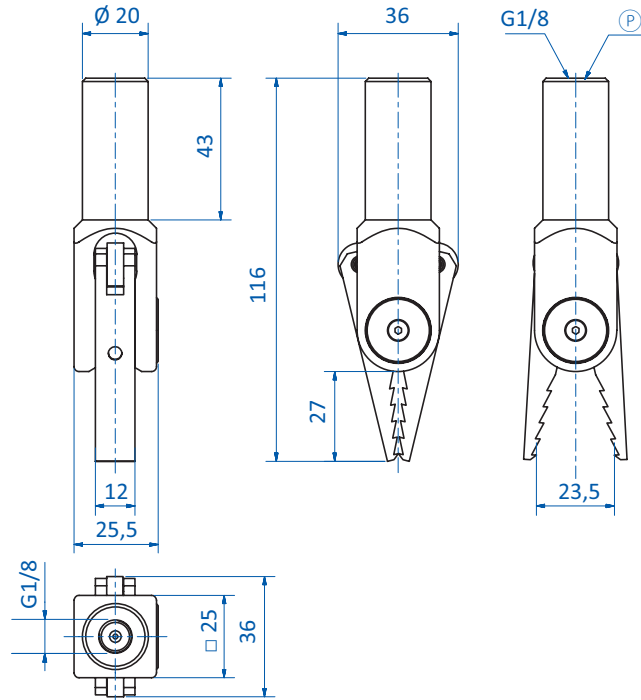


GR04.2016R

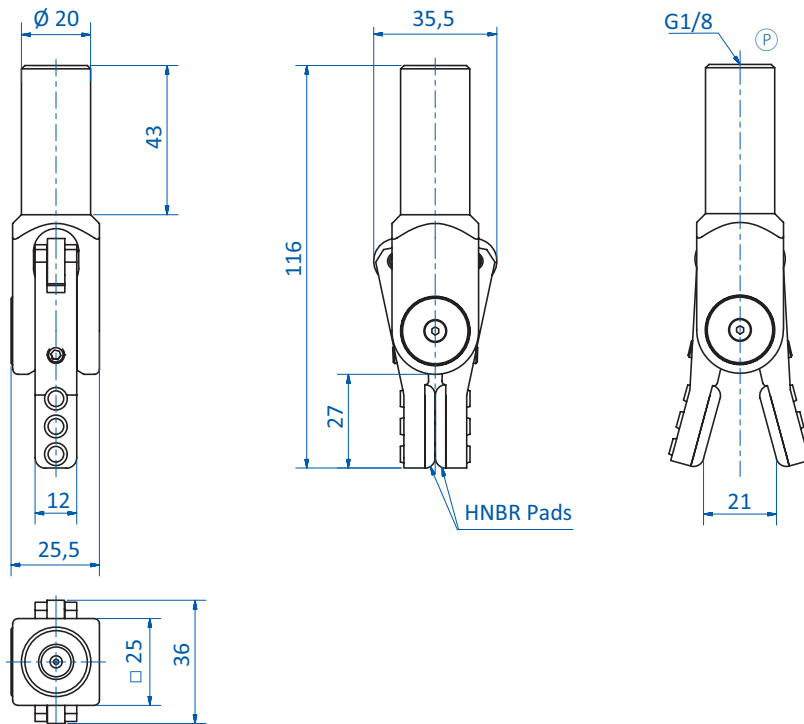
Ⓟ = Compressed air connection



Dimensions



GR04.2016S



GR04.2016H

Ⓟ = Compressed air connection



# Grippers | Sprue grippers

Series 2016 – sprue grippers, with direct sensing

## Series 2016 – sprue grippers, with direct sensing



GR04.2016RC with straight jaws



GR04.2016SC with sawtooth for a higher gripping force

**SELF-CENTERING**

### Product notes

- > Clamping diameter 20 mm
- > Grippers with wide opening jaws and high gripping force
- > Self-centering
- > Large area sensor activation, regardless of sprue position
- > Easy assembly/disassembly of the gripper jaws
- > Jaws made of zinc-plated steel
- > Body and jaws made of anodized aluminum
- > Principle of operation: single-acting
- > Medium: filtered and oiled/unoiled air

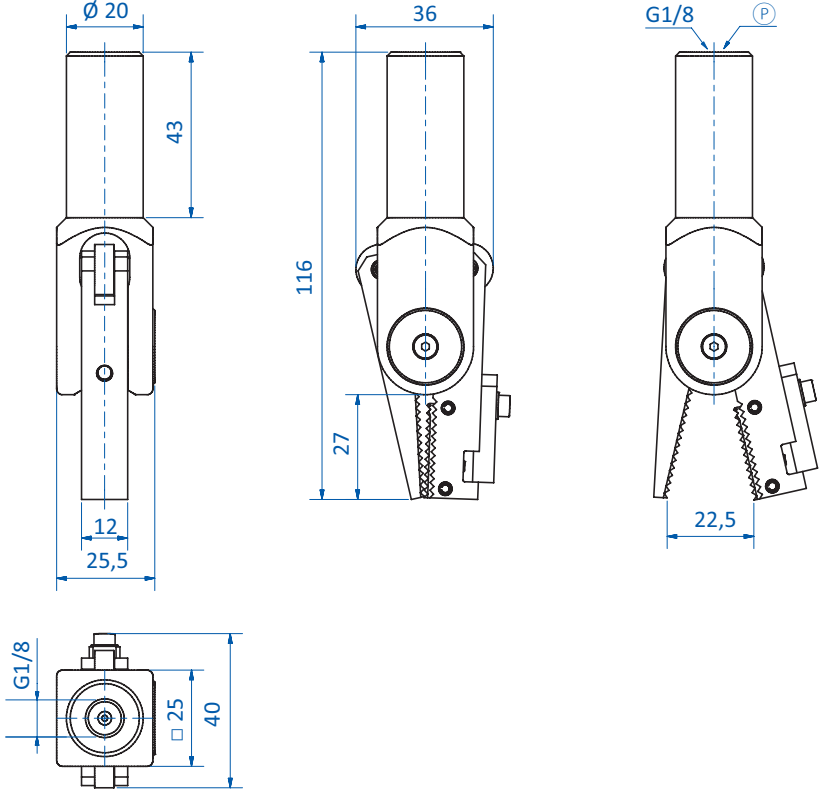
### Technical data

Item no.	Max. operating pressure [bar (psi)]	Sensor	Closing force at 6 bar (87 psi) [N]	Weight [g]	Accessories
<b>GR04.2016RC</b>	6 (87)	PNP	52	165	Connector cable: 20.503 (p.410) Sensor: GS04.001 (p.408)
<b>GR04.2016RC/NPN</b>	6 (87)	NPN	52	165	Connector cable: 20.503 (p.410) Sensor: GS04.002 (p.408)
<b>GR04.2016SC</b>	6 (87)	PNP	52	168	Connector cable: 20.503 (p.410) Sensor: GS04.001 (p.408)
<b>GR04.2016SC/NPN</b>	6 (87)	NPN	52	168	Connector cable: 20.503 (p.410) Sensor: GS04.002 (p.408)

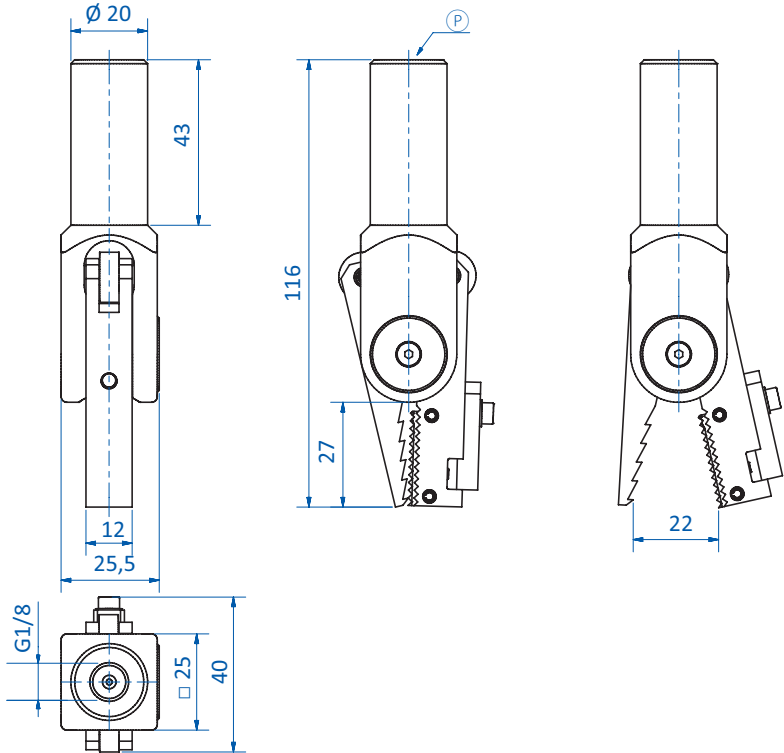




Dimensions



GR04.2016RC | GR04.2016RC/NPN



GR04.2016SC | GR04.2016SC/NPN

Ⓟ = Compressed air connection



### Series 140 – power grippers



Application example: gripping of plastic flaps

#### Product notes

- > Clamping diameter 20 mm
- > PNP or NPN sensors with 0.3 m cable, 3-pin M8 plug and extension cable 2 m with 3-pin M8 socket & free end, included
- > Very high grip force
- > Body and jaws made of anodized aluminum
- > Principle of operation: single-acting
- > Medium: filtered and oiled/unoiled air

#### Technical data

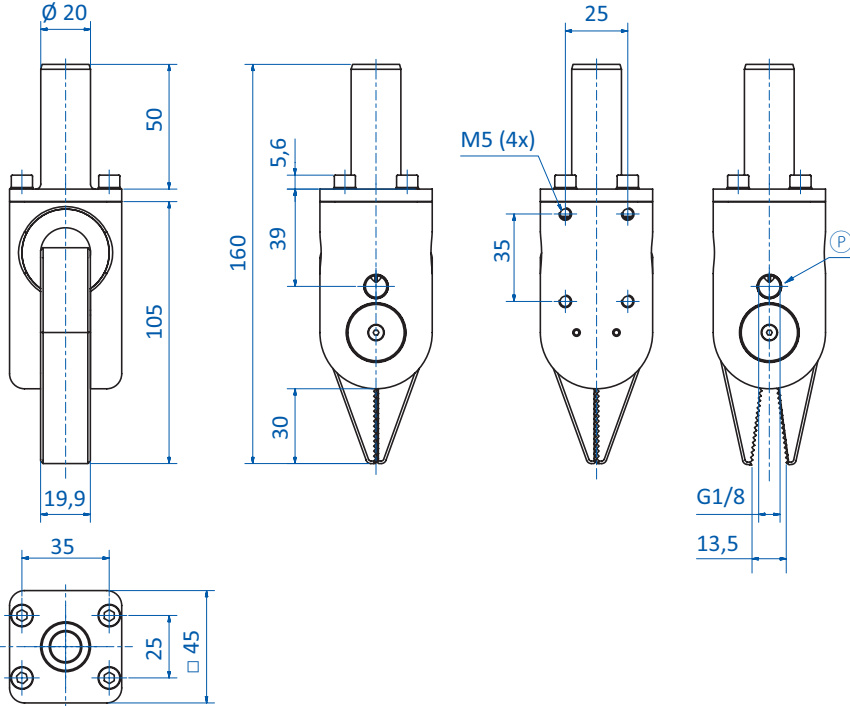
Item no.	Max. operating pressure [bar (psi)]	Sensor	Closing force at 6 bar (87 psi) [N]	Weight [g]	Accessories
<b>GR04.140A</b>	8 (116)	--	380	395	--
<b>GR04.140B</b>	8 (116)	PNP	380	405	Connector cable: 20.503 (p.410) Sensor: GS04.001 (p.408)
<b>GR04.140B/NPN</b>	8 (116)	NPN	380	405	Connector cable: 20.503 (p.410) Sensor: GS04.002 (p.408)

#### Installation example with side-mounted fitting

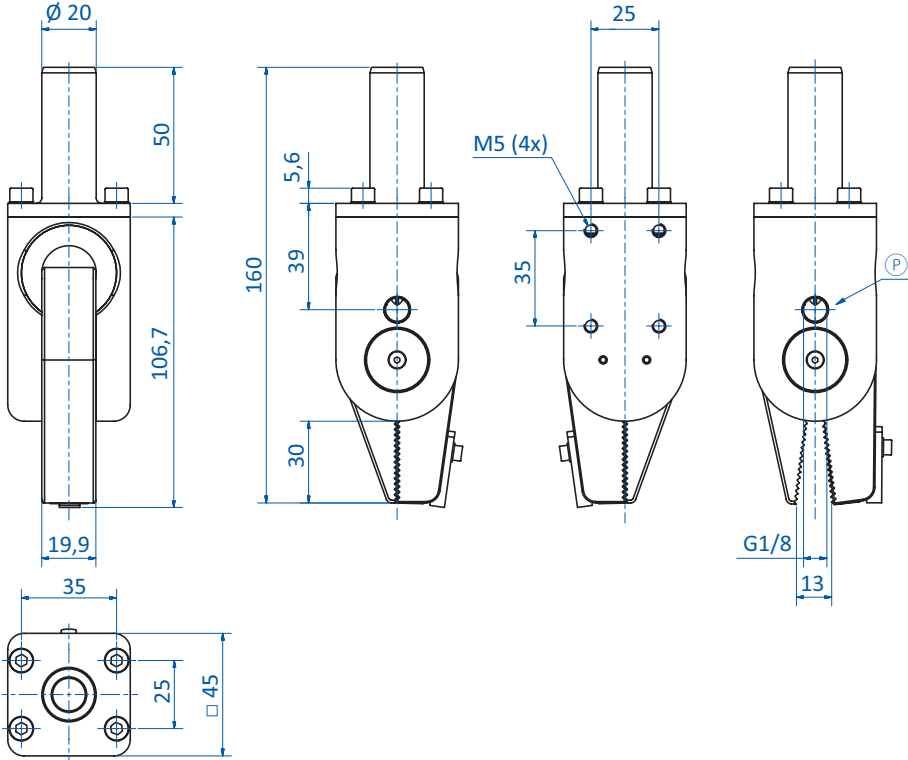




Dimensions



GR04.140A



GR04.140B | GR04.140B/NPN

Ⓟ = Compressed air connection



# Grippers | Sprue grippers

Series 840 – power grippers with stroke, clamping diameter 30 mm

## Series 840 – power grippers with stroke, clamping diameter 30 mm

DETECTS SPRUES LARGER 1 MM



### Product notes

- > Grippers with high gripping force and narrow closing gap for flat sprues
- > Feed stroke (cylinder 1) moves gripper towards the mold for part removal
- > Back stroke (cylinder 2) fully retracts gripper to enable undisturbed part release, e.g. on a conveyor belt
- > Grippers are self-centering
- > Medium: filtered and oiled/unoiled air
- > Suitable for heavy-duty applications due to closed, coaxial cylinder guiding
- > Part control via large area sensor activation, regardless of sprue position (GR04.140B, GR04.140B/NPN)
- > Detection of stroke via optional cylinder sensors
- > Easy exchange of jaws without snap-rings
- > If required, the grippers can quickly be changed over to non-self-centering
- > Included in scope of delivery of GR04.840B: sensor GR04.131-S1, resp. GR04.131-S2, cable 0.2 m, 3-pin M8 male connector, free end; extension cable 2 m, 3-pin M8 male connector, free end
- > Please refer to "suitable sensors" for cylinder sensors

### Technical data

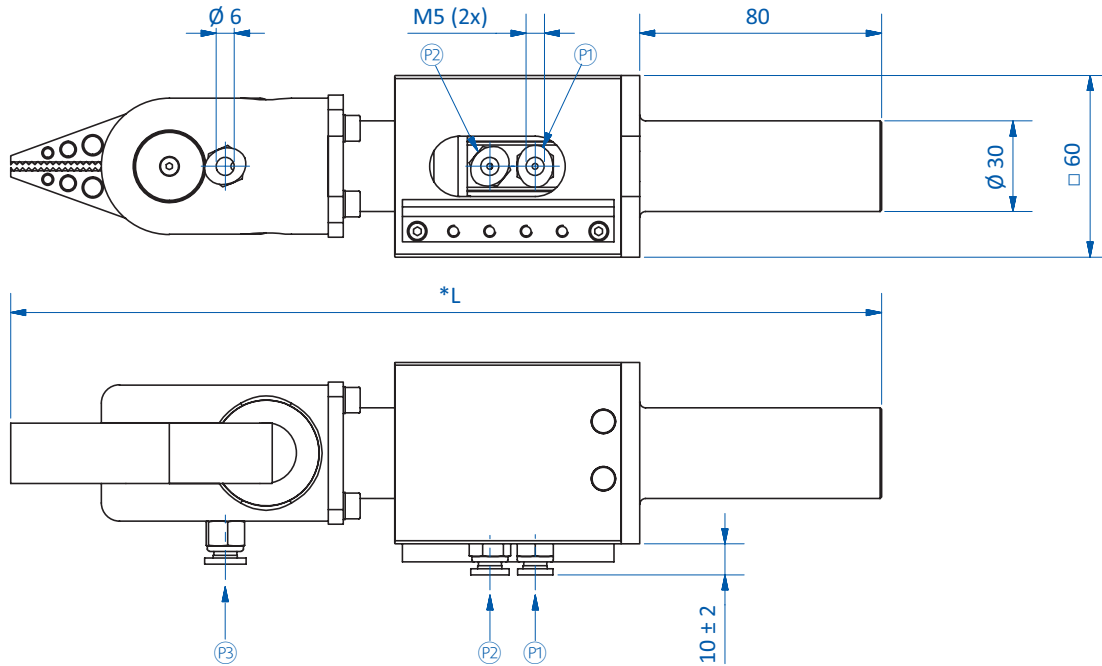
Item no.	Operating pressure [bar (psi)]	Sensor	Closing force at 6 bar (87 psi) [N]	Stroke 1 [mm]	Stroke 2 [mm]	Weight [g]	Suitable sensors
GR04.840A-20	6 (87)	--	380	20	--	1,110	GR04.202N (p.404) GR04.202P (p.404) GR04.280N (p.404) GR04.280P (p.404)
GR04.840A-30	6 (87)	--	380	30	--	1,185	GR04.202N (p.404) GR04.202P (p.404) GR04.280N (p.404) GR04.280P (p.404)
GR04.840A-20-20	6 (87)	--	380	20	20	1,480	GR04.202N (p.404) GR04.202P (p.404) GR04.280N (p.404) GR04.280P (p.404)
GR04.840A-20-30	6 (87)	--	380	30	20	1,540	GR04.202N (p.404) GR04.202P (p.404) GR04.280N (p.404) GR04.280P (p.404)
GR04.840B-20	6 (87)	PNP	380	20	--	1,130	GS04.001 (p.408) GR04.202P (p.404) GR04.280P (p.404)
GR04.840B-30	6 (87)	PNP	380	30	--	1,200	GS04.001 (p.408) GR04.202P (p.404) GR04.280P (p.404)
GR04.840B-20-20	6 (87)	PNP	380	20	20	1,500	GS04.001 (p.408) GR04.202P (p.404) GR04.280P (p.404)
GR04.840B-20-30	6 (87)	PNP	380	30	20	1,560	GS04.001 (p.408) GR04.202P (p.404) GR04.280P (p.404)
GR04.840B-20/NPN	6 (87)	NPN	380	20	--	1,130	GS04.002 (p.408) GR04.202N (p.404) GR04.280N (p.404)
GR04.840B-30/NPN	6 (87)	NPN	380	30	--	1,200	GS04.002 (p.408) GR04.202N (p.404) GR04.280N (p.404)



### Technical data

Item no.	Operating pressure [bar (psi)]	Sensor	Closing force at 6 bar (87 psi) [N]	Stroke 1 [mm]	Stroke 2 [mm]	Weight [g]	Suitable sensors
GR04.840B-20-20/NPN	6 (87)	NPN	380	20	20	1,500	GS04.002 (p.408) GR04.202N (p.404) GR04.280N (p.404)
GR04.840B-20-30/NPN	6 (87)	NPN	380	30	20	1,560	GS04.002 (p.408) GR04.202N (p.404) GR04.280N (p.404)

### Dimensions



GR04.840A-20 | GR04.840A-30 | GR04.840B-20 | GR04.840B-30 | GR04.840B-20/NPN | GR04.840B-30/NPN

\* = The length L refers to the gripper with retracted cylinders. Total length = L + stroke 1 (resp. stroke 1 + stroke 2).  $\textcircled{P1}$  = Compressed air connection cylinder extended  $\textcircled{P2}$  = Compressed air connection cylinder retracted  $\textcircled{P3}$  = Compressed air connection gripper

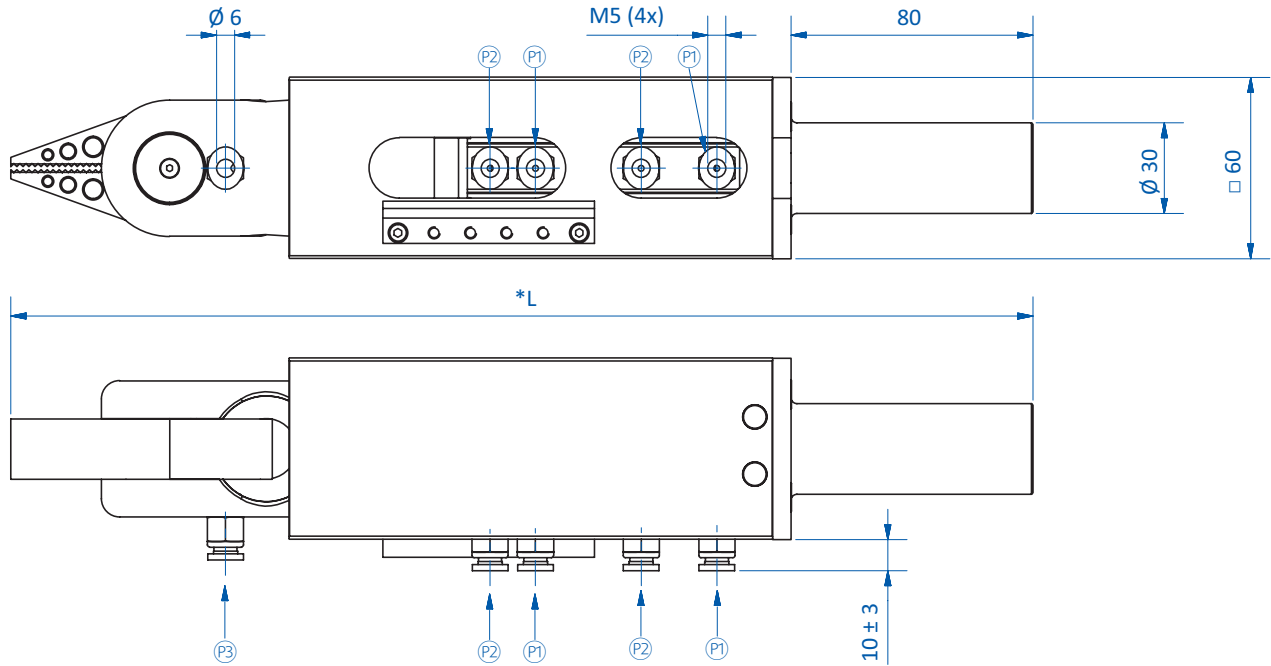
Continued on the next page →



# Grippers | Sprue grippers

Series 840 – power grippers with stroke, clamping diameter 30 mm

## Dimensions



GR04.840A-20-20 | GR04.840A-20-30 | GR04.840B-20-20 | GR04.840B-20-30 | GR04.840B-20-20/NPN | GR04.840B-20-30/NPN

\* = The length L refers to the gripper with retracted cylinders. Total length = L + stroke 1 (resp. stroke 1 + stroke 2).  $\textcircled{P1}$  = Compressed air connection cylinder extended  $\textcircled{P2}$  = Compressed air connection cylinder retracted  $\textcircled{P3}$  = Compressed air connection gripper

Item no.	L [mm]
GR04.840A-20	298
GR04.840A-30	308
GR04.840A-20-20	348
GR04.840A-20-30	358
GR04.840B-20	298
GR04.840B-30	308
GR04.840B-20-20	348
GR04.840B-20-30	358
GR04.840B-20/NPN	298
GR04.840B-30/NPN	308
GR04.840B-20-20/NPN	348
GR04.840B-20-30/NPN	358



Series 110 – sprue gripper with indirect sensing



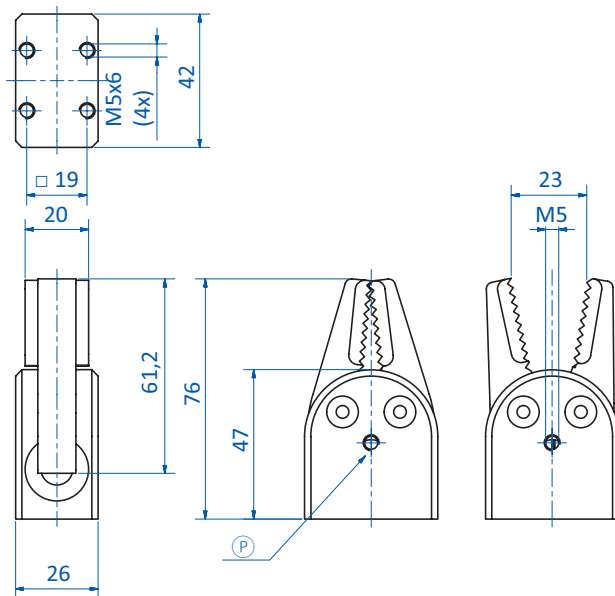
Product notes

- > Grippers with high gripping force and wide jaw opening
- > Jaws with rough tooth pattern for parts that are difficult to demold
- > Sprue detection via indirect sensing, signals when jaws are closed, because no part has been gripped
- > Principle of operation: single-acting
- > Sensor with 3-pole M8 plug and 0.6 m cable included in scope of delivery

Technical data

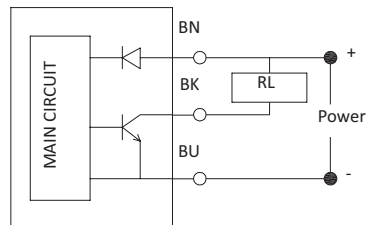
Item no.	Max. operating pressure [bar (psi)]	Sensor	Closing force at 6 bar (87 psi) [N]	Weight [g]	Accessories
GR04.111A	8 (116)	PNP*	95	135	Mounting bracket: GR04.196A (p.198) Sensor: GR04.111A-Sensor
GR04.111A/NPN	8 (116)	NPN*	95	135	Mounting bracket: GR04.196A (p.198) Sensor: GR04.111A-Sensor-NPN

Dimensions

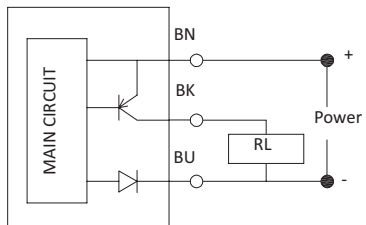


Wiring diagrams sensors

NPN



PNP



BN = Brown, BK = Black, BU = Blue

Ⓟ = Compressed air connection \* = Sensing of parts larger 2 mm



### Series 110 – grippers



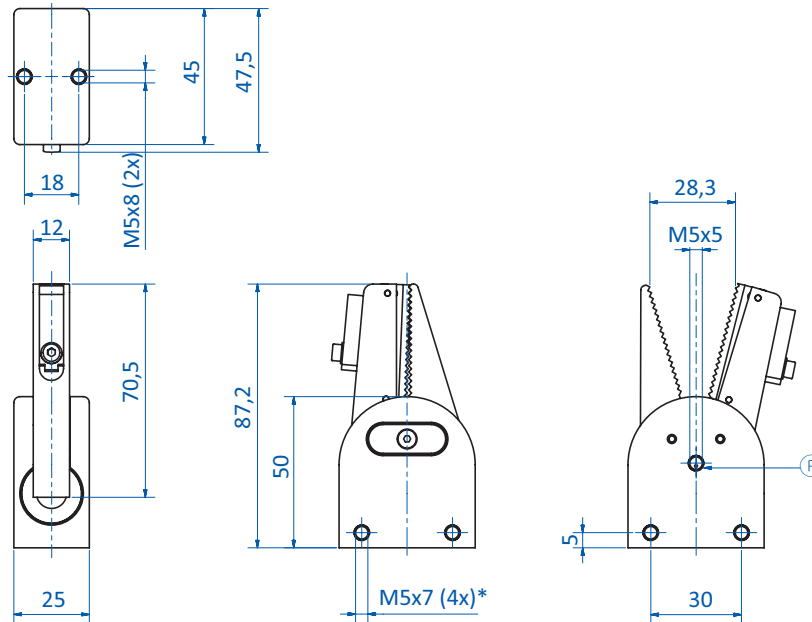
#### Product notes

- > High grip force, extra wide jaw opening and gap-free closing allow for a wide range of sprue diameters to be gripped
- > PNP or NPN sensors with 0.3 m cable, 3-pin M8 plug and extension cable 2 m with 3-pin M8 socket & free end, included
- > Principle of operation: single-acting

#### Technical data

Item no.	Max. operating pressure [bar (psi)]	Sensor	Closing force on the jaw tip [N]	Minimum sprue thickness [mm]	Weight [g]	Suitable sensors
<b>GR04.110A</b>	8 (116)	PNP	95	1	130	GS04.001 (p.408)
<b>GR04.110A/NPN</b>	8 (116)	NPN	95	1	130	GS04.002 (p.408)
<b>GR04.110B</b>	8 (116)	--	95	1	130	--

#### Dimensions



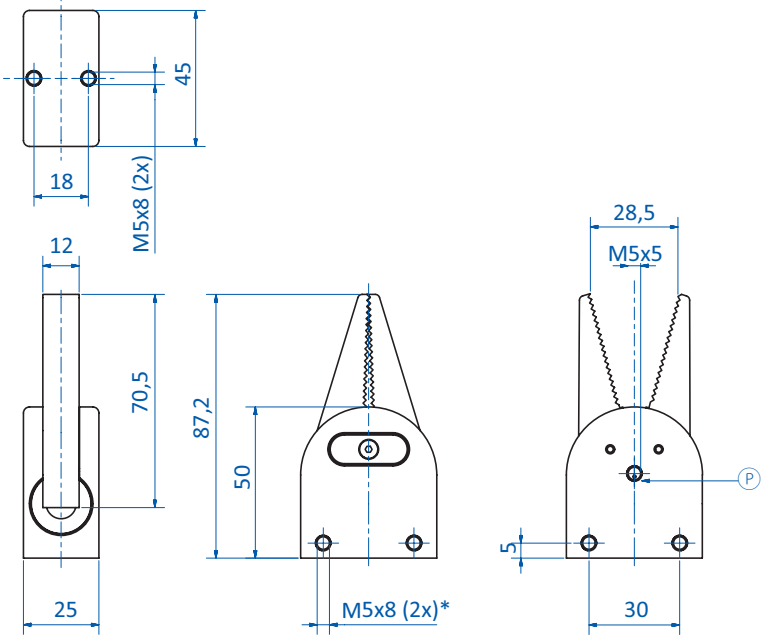
GR04.110A | GR04.110A/NPN

Ⓟ = Compressed air connection \* = Fixing hole





Dimensions



GR04.110B

Ⓟ = Compressed air connection \* = Fixing hole



### Series 110 – grippers



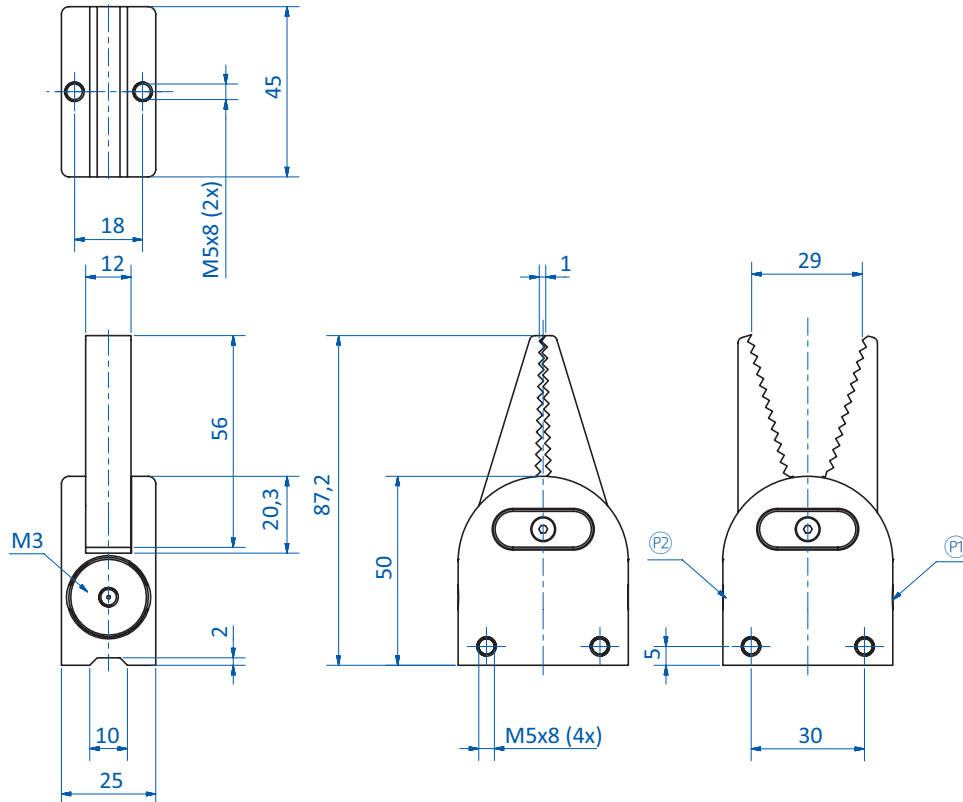
#### Product notes

- > High grip force, extra wide jaw opening and gap-free closing allow for a wide range of sprue diameters to be gripped
- > Principle of operation: double-acting

#### Technical data

Item no.	Max. operating pressure [bar (psi)]	Closing force at 6 bar (87 psi) [N]	Weight [g]	Suitable fittings
<b>GR04.110</b>	8 (116)	66	135	GR04.197A (p.197)

#### Dimensions



Ⓟ = Compressed air supply (open) Ⓠ = Compressed air supply (close)



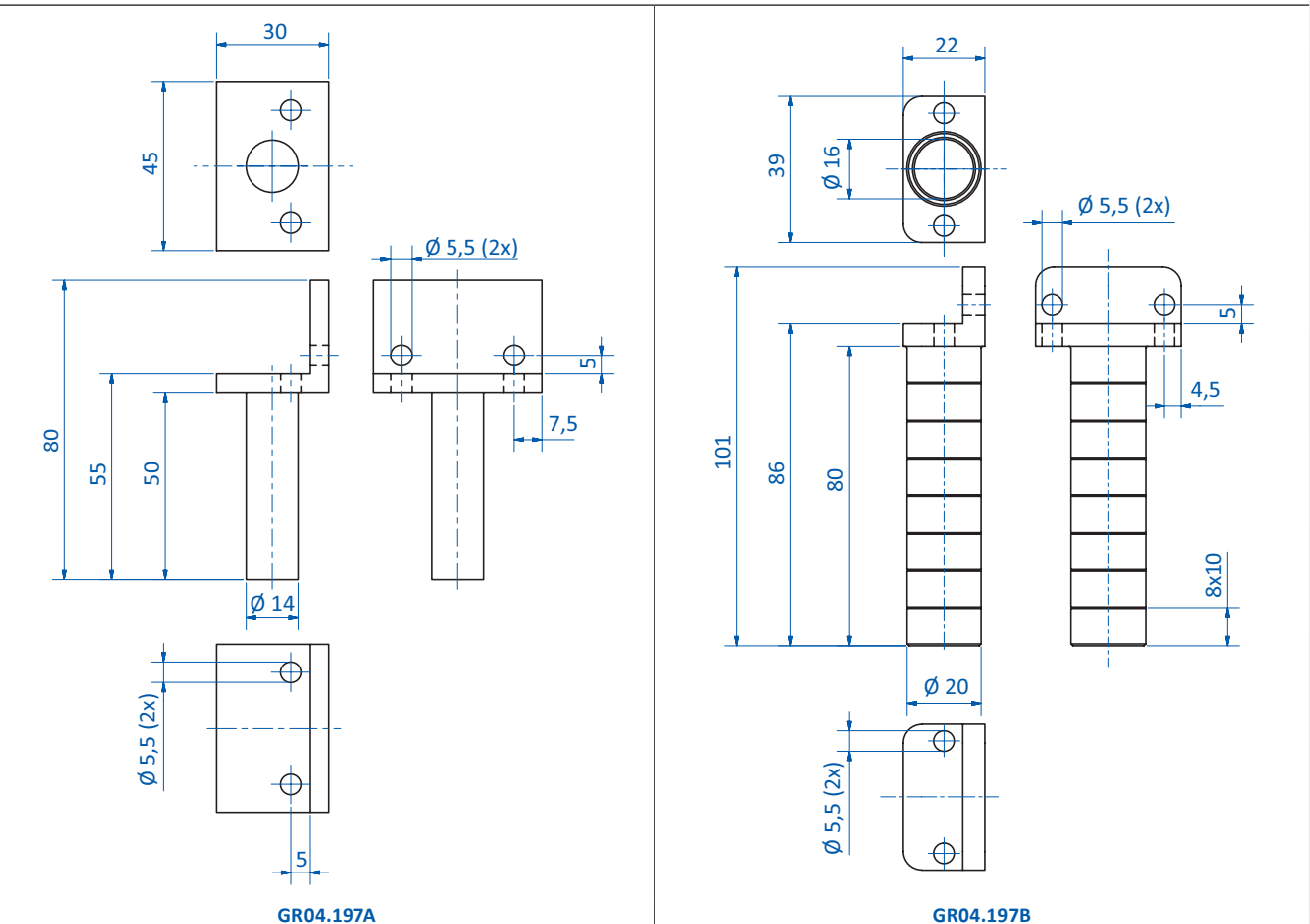
Mounting brackets for Series 110 – grippers



Technical data

Item no.	Weight [g]
GR04.197A	47
GR04.197B	47

Dimensions





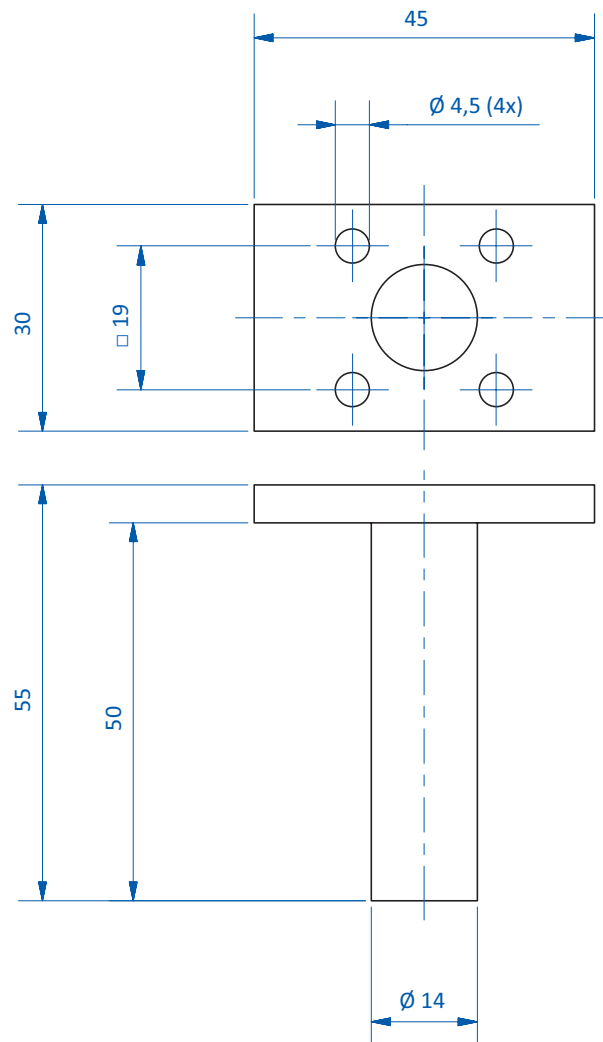
## Mounting brackets for Series 110 – grippers



### Technical data

Item no.	Weight [g]
GR04.196A	27

### Dimensions





Notes:

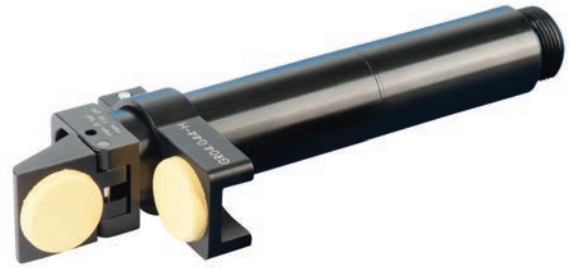
A large area for taking notes, featuring a vertical red line on the left side and horizontal grey lines for writing.



# Grippers | Gripper fingers

## 95° Gripper fingers

### 95° Gripper fingers



Gripper finger with HNBR pad and HNBR stop element for soft gripping

#### Product notes

- > Single-acting, spring return
- > Body and jaws made of anodized aluminum alloy
- > GR04.034 & GR04.040: optional sensors for monitoring piston position
- > Gripper finger with central hole for mounting optional HNBR pad

#### Technical data

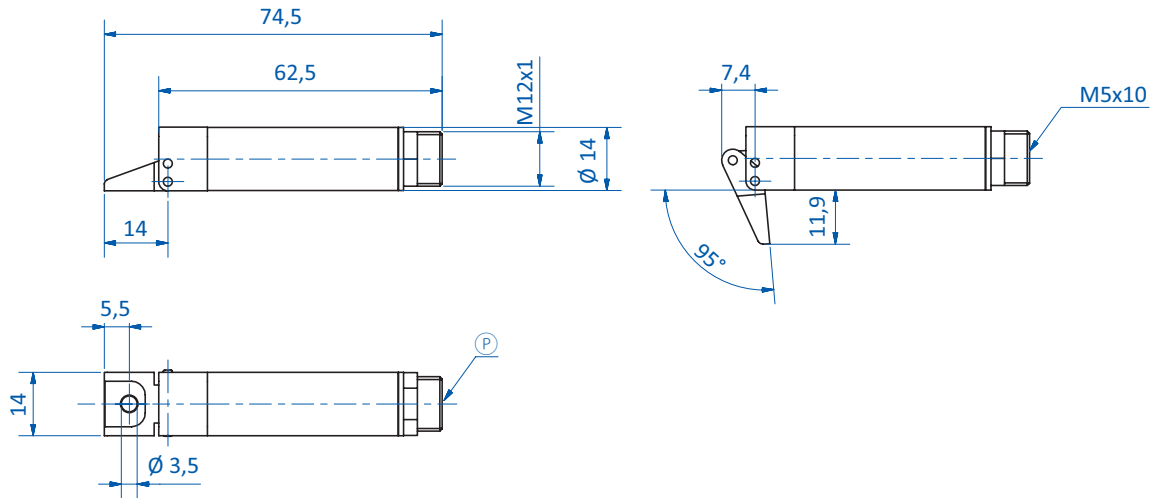
Item no.	GR04.034	GR04.040	GR04.044
Operating pressure [bar (psi)]	2 - 8 (29 - 116)	2 - 8 (29 - 116)	2 - 8 (29 - 116)
Clamping Ø [mm]	14	20	20
Angle stroke [°]	95	95	95
Sensor nut	--	Yes	--
Closing force at 6 bar (87 psi) [N]	24	70	70
Weight [g]	25	82	60
Accessories	HNBR pad: GR04.034-HNBR Sensor: GR04.198 (p.404) Sensor: GR04.198/NPN (p.404) Sensor mounting bracket: GR04.038S (p.204)	HNBR pad: GR04.044-HNBR Sensor: GR04.198 (p.404) Sensor: GR04.198/NPN (p.404)	HNBR pad: GR04.044-HNBR

#### Application example with sensor

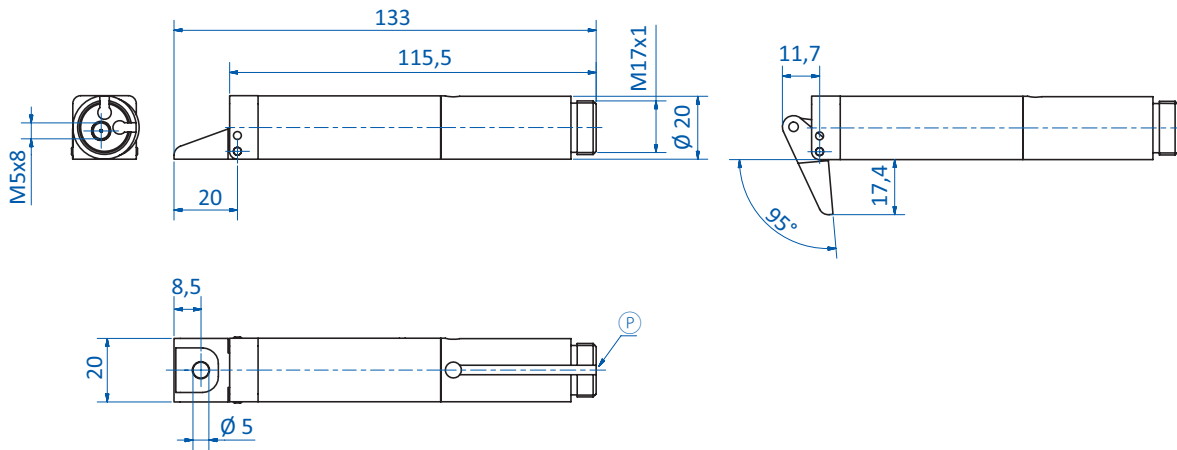




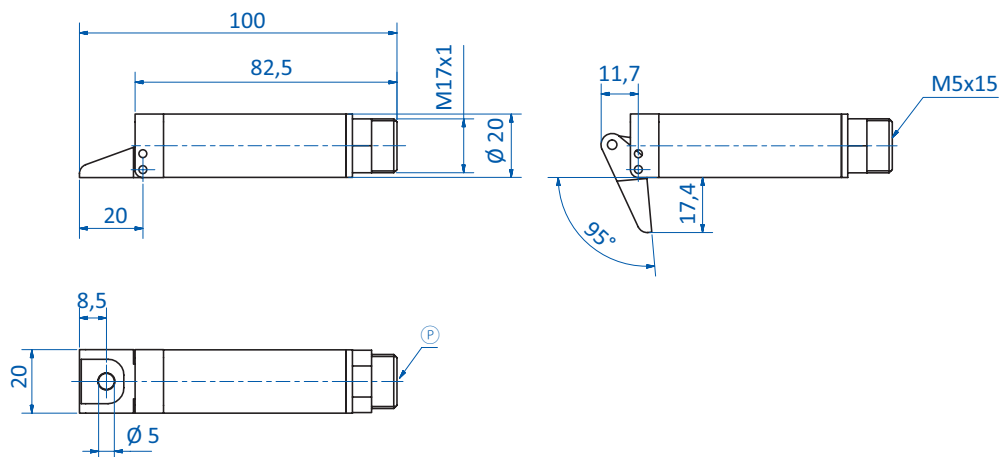
Dimensions



GR04.034



GR04.040



GR04.044

Ⓟ = Compressed air connection



### 35° Gripper Fingers



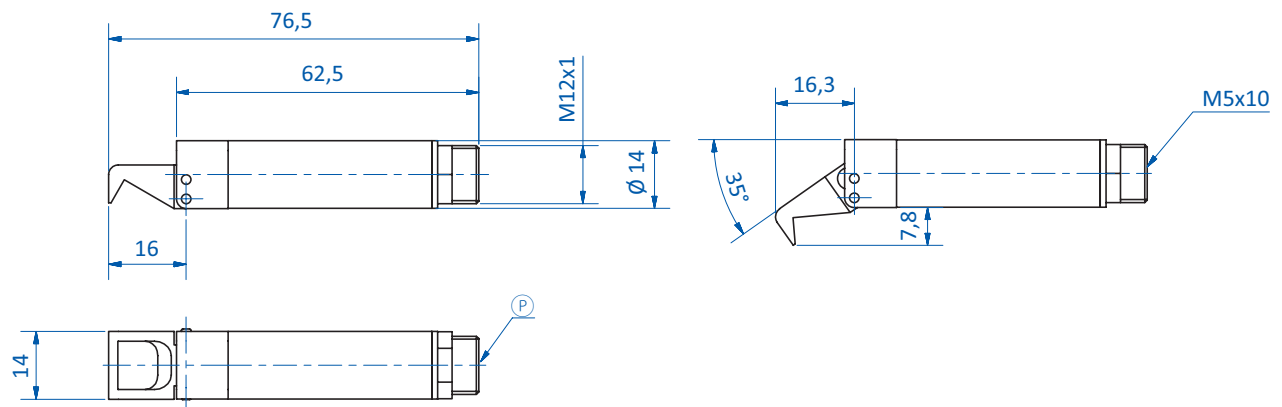
#### Product notes

- > Single-acting, spring return
- > Body and jaws made of anodized aluminum alloy
- > GR04.035 & GR04.041: optional sensors for monitoring piston position

#### Technical data

Item no.	GR04.035	GR04.041	GR04.045
Operating pressure [bar (psi)]	2 - 8 (29 - 116)	2 - 8 (29 - 116)	2 - 8 (29 - 116)
Clamping $\varnothing$ [mm]	14	20	20
Angle stroke [°]	35	35	35
Sensor nut	--	Yes	--
Closing force at 6 bar (87 psi) [N]	23	65	65
Weight [g]	25	86	65
Accessories	Sensor: GR04.198 (p.404) Sensor: GR04.198/NPN (p.404) Sensor mounting bracket: GR04.038S (p.204)	Sensor: GR04.198 (p.404) Sensor: GR04.198/NPN (p.404)	--

#### Dimensions



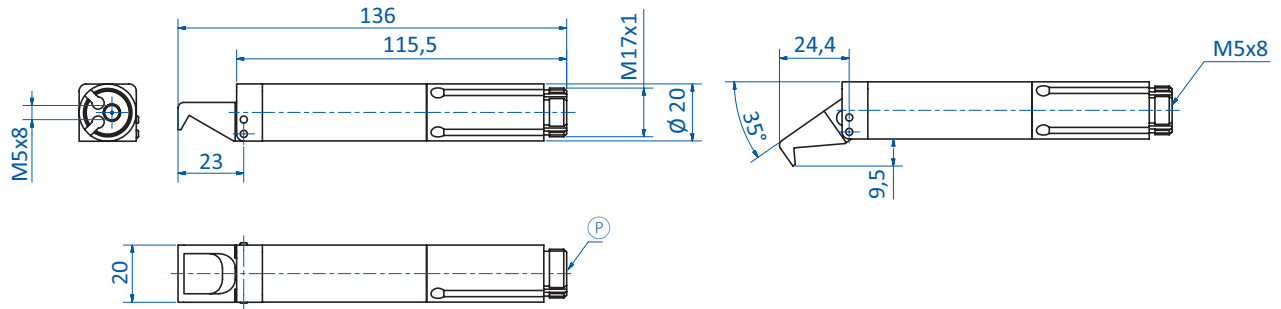
GR04.035

Ⓟ = Compressed air connection

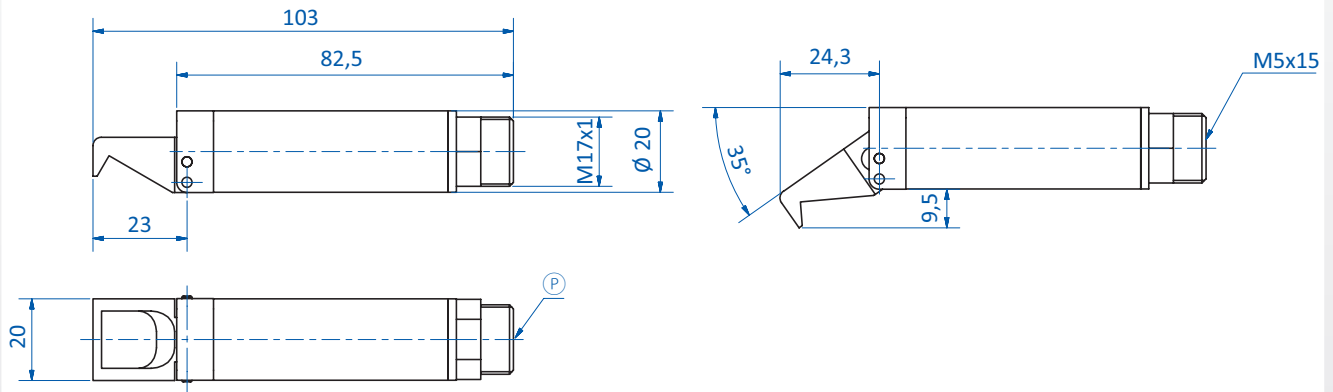




Dimensions



GR04.041



GR04.045

Ⓟ = Compressed air connection



# Grippers | Gripper finger accessories

Sensor mounting bracket for gripper fingers, diameter 14 mm

## Sensor mounting bracket for gripper fingers, diameter 14 mm



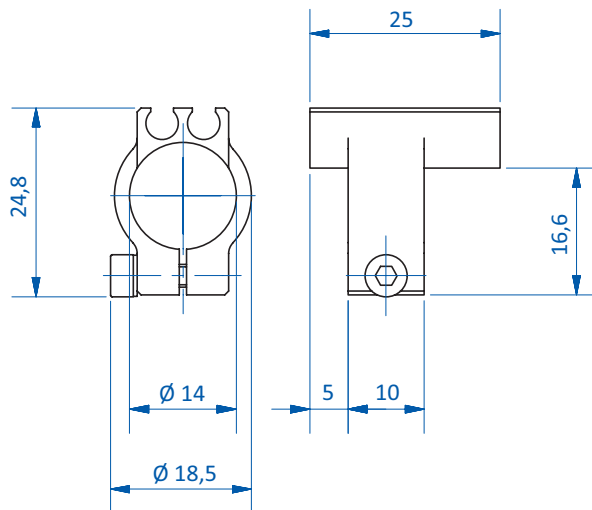
### Product notes

- > Made of anodized aluminum

### Technical data

Item no.	Suitable for gripper fingers	Clamping $\varnothing$ [mm]	Weight [g]	Suitable sensors
<b>GR04.0385</b>	GR04.034, GR04.035	14	6	GR04.198 (p.404) GR04.198/NPN (p.404)

### Dimensions





Gripper finger guide



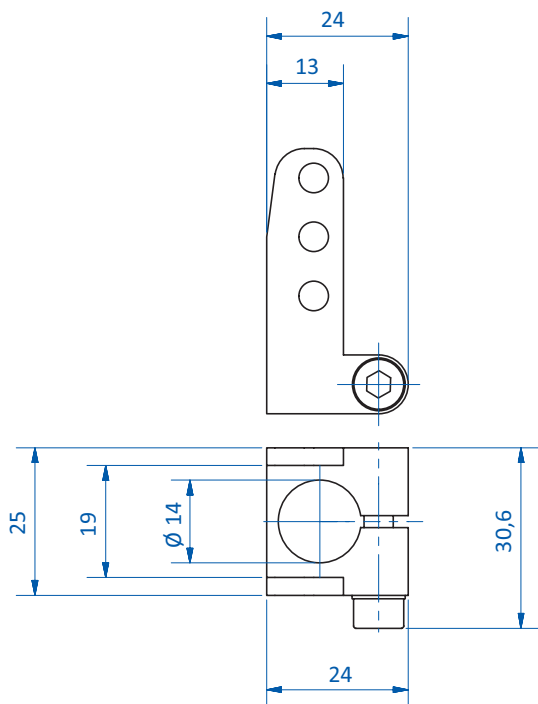
Product notes

> Part protection during demolding

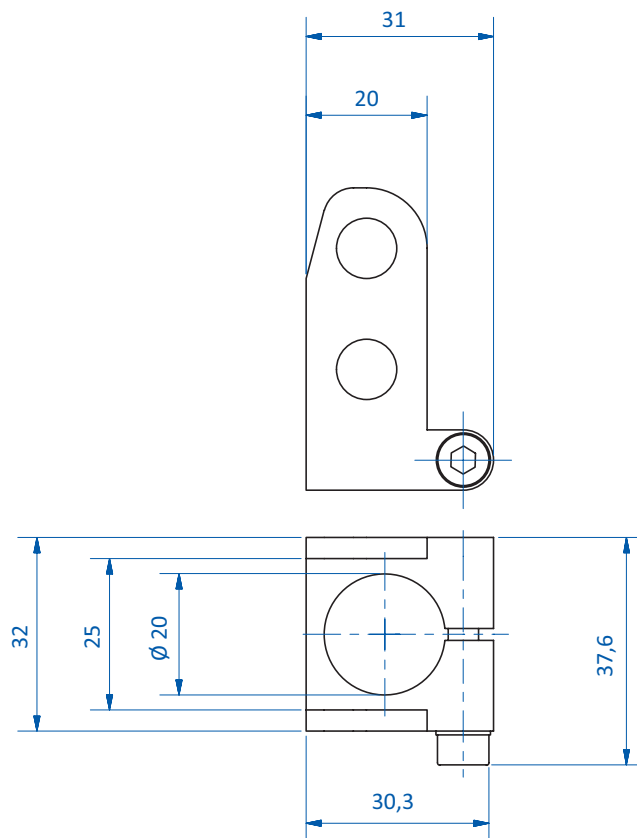
Technical data

Item no.	Suitable for gripper fingers	Clamping $\varnothing$ [mm]	Weight [g]	Suitable finger grippers
<b>GR04.037</b>	GR04.034, GR04.035	14	12	GR04.034 (p.200) GR04.035 (p.202)
<b>GR04.047</b>	GR04.040, GR04.041, GR04.044, GR04.045	20	19	GR04.040 (p.200) GR04.041 (p.202) GR04.044 (p.200) GR04.045 (p.202)

Dimensions



GR04.037



GR04.047



### Stop elements for gripper fingers



GR04.036 and GR04.046



GR04.034-H and GR04.044-H with HNBR pad

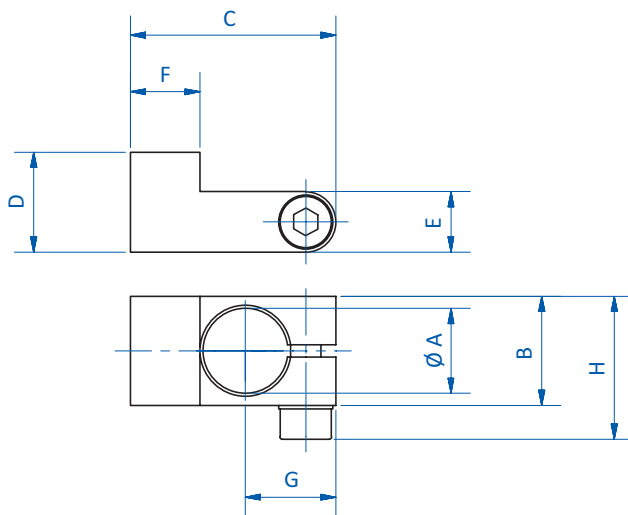
### Product notes

- > Made of POM
- > Can be used in conjunction with guide elements
- > GR04.034-H & GR04.044-H: with HNBR pads for gentle gripping of sensitive components, temperature range 0 - 160 °C (32 - 320 °F) for short term contact – up to 30 seconds

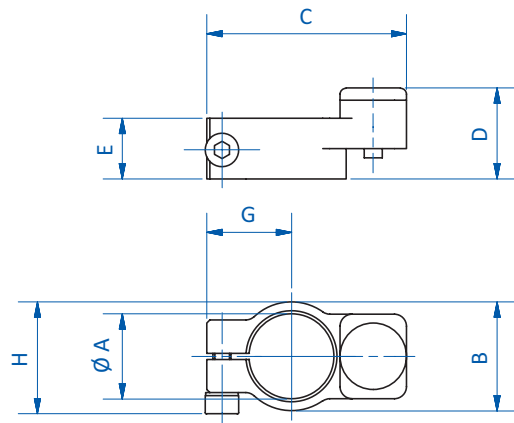
### Technical data

Item no.	Suitable for gripper fingers	Clamping $\varnothing$ [mm]	Weight [g]	Replacement parts
<b>GR04.036</b>	GR04.034, GR04.035	14	11	--
<b>GR04.046</b>	GR04.040, GR04.041, GR04.044, GR04.045	20	16	--
<b>GR04.034-H</b>	GR04.034, GR04.035	14	6	GR04.034-HNBR
<b>GR04.044-H</b>	GR04.040, GR04.041, GR04.044, GR04.045	20	13	GR04.044-HNBR

### Dimensions



GR04.036 | GR04.046



GR04.034-H | GR04.044-H

Item no.	$\varnothing A$ [mm]	B [mm]	H [mm]	C [mm]	D [mm]	E [mm]	F [mm]	G [mm]
<b>GR04.036</b>	14	18	23.6	34	16.5	10	11.5	15
<b>GR04.046</b>	20	24	29.6	45	14.5	10	16.5	18
<b>GR04.034-H</b>	14	18	18.5	33	15	10	--	14
<b>GR04.044-H</b>	20	24	24	44.5	13	10	--	17



Application examples

> Gripper finger with stop element without HNBR pad



> Gripper finger with stop element with HNBR pad





### Extension tubes



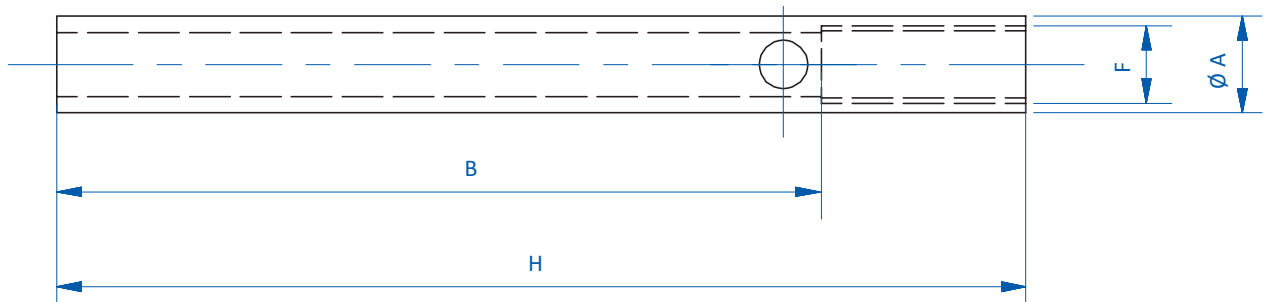
### Product notes

> Compatible with locator pins, finger grippers and sprue grippers

### Technical data

Item no.	Clamping $\phi$ [mm]	Weight [g]	Suitable locator pins
GR06.020	10	10	GR06.001 (p.89)
GR06.021A	14	22	GR06.002A (p.89)
GR06.022	20	28	GR06.003 (p.89)

### Dimensions



Item no.	F	$\phi A$ [mm]	B [mm]	H [mm]
GR06.020	M8x1	10	87	100
GR06.021A	M12x1	14	82	100
GR06.022	M17x1	20	82	100



## 2-finger parallel grippers



## Product notes

- > Gripper with high gripping force
- > Double-acting for inside/outside gripping and short duty cycles
- > Single-acting: normally open (NO), compressed air for closing, opening via return spring
- > Body and jaws made of high-strength aluminum alloy
- > Options
  - Base jaws for customization
  - Sensors for monitoring gripper action via piston position
- > Medium: filtered and oiled/unoiled air
- > PNP and NPN sensors:
  - C-slot (90° angle): GR04.202P, GR04.202N
  - C-slot (straight, short design): GR04.280P, GR04.280N
  - T-slot (straight): GR04.203P, GR04.203N
- > Connector cable for sensors:
  - 20.503: 3-pole M8, cable straight, length 2,500 mm, open wire
  - 20.507: 3-pole M8, cable 90°, length 2,000 mm, open end
  - 20.570: 3-pole M8, length 1,500 mm, end with plug 3-pole M8

## Technical data

Item no.	Principle of operation	Operating pressure [bar (psi)]	Piston diameter [mm]	Stroke per gripper jaw [mm]	Closing force at 5 bar (72,5 psi) [N]	Opening force at 5 bar (72,5 psi) [N]	Max. operating frequency [1/min]	Operating temperature [°C (°F)]	Weight [g]	Accessories
GR04.122-10	Double-acting	3 - 7 (43.5 - 101.5)	10	2	16	11	180	-10 - 60 (14 - 140)	120	Sensor: GR04.203N (p.404) Sensor: GR04.203P (p.404) Connector cable: 20.503 (p.410) Connector cable: 20.507 (p.410) Connector cable: 20.570 (p.410) Mounting bracket: GR06.050 (p.240)
GR04.122-10S	Single-acting	3 - 7 (43.5 - 101.5)	10	2	16	11	180	-10 - 60 (14 - 140)	120	Sensor: GR04.203N (p.404) Sensor: GR04.203P (p.404) Connector cable: 20.503 (p.410) Connector cable: 20.507 (p.410) Connector cable: 20.570 (p.410) Mounting bracket: GR06.050 (p.240)
GR04.122-16	Double-acting	3 - 7 (43.5 - 101.5)	16	3	44	33	180	-10 - 60 (14 - 140)	160	Sensor: GR04.202N (p.404) Sensor: GR04.202P (p.404) Sensor: GR04.203N (p.404) Sensor: GR04.203P (p.404) Sensor: GR04.280N (p.404) Sensor: GR04.280P (p.404)
GR04.122-16S	Single-acting	3 - 7 (43.5 - 101.5)	16	3	44	33	180	-10 - 60 (14 - 140)	160	Connector cable: 20.503 (p.410) Connector cable: 20.507 (p.410) Connector cable: 20.570 (p.410) Mounting bracket: GR06.051 (p.240)

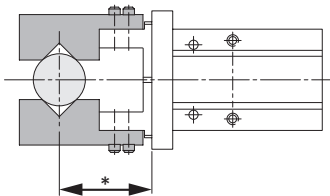
Continued on the next page →



### Technical data

Item no.	Principle of operation	Operating pressure [bar (psi)]	Piston diameter [mm]	Stroke per gripper jaw [mm]	Closing force at 5 bar (72,5 psi) [N]	Opening force at 5 bar (72,5 psi) [N]	Max. operating frequency [1/min]	Operating temperature [°C (°F)]	Weight [g]	Accessories
<b>GR04.122-20</b>	Double-acting	3 - 7 (43.5 - 101.5)	20	5	65	40	180	-10 - 60 (14 - 140)	300	Sensor: GR04.202N (p.404) Sensor: GR04.202P (p.404) Sensor: GR04.203N (p.404) Sensor: GR04.203P (p.404) Sensor: GR04.280N (p.404)
<b>GR04.122-20S</b>	Single-acting	3 - 7 (43.5 - 101.5)	20	5	65	40	180	-10 - 60 (14 - 140)	300	Sensor: GR04.280P (p.404) Connector cable: 20.503 (p.410) Connector cable: 20.507 (p.410) Connector cable: 20.570 (p.410) Mounting bracket: GR06.052 (p.240)
<b>GR04.122-25</b>	Double-acting	3 - 7 (43.5 - 101.5)	25	7	105	66	180	-10 - 60 (14 - 140)	365	Sensor: GR04.202N (p.404) Sensor: GR04.202P (p.404) Sensor: GR04.203N (p.404) Sensor: GR04.203P (p.404) Sensor: GR04.280N (p.404)
<b>GR04.122-25S</b>	Single-acting	3 - 7 (43.5 - 101.5)	25	7	105	66	180	-10 - 60 (14 - 140)	365	Sensor: GR04.280P (p.404) Connector cable: 20.503 (p.410) Connector cable: 20.507 (p.410) Connector cable: 20.570 (p.410) Mounting bracket: GR06.053 (p.240)
<b>GR04.122-32</b>	Double-acting	3 - 7 (43.5 - 101.5)	32	11	225	156	60	-10 - 60 (14 - 140)	860	Sensor: GR04.202N (p.404) Sensor: GR04.202P (p.404) Sensor: GR04.203N (p.404) Sensor: GR04.203P (p.404) Sensor: GR04.280N (p.404)
<b>GR04.122-32S</b>	Single-acting	3 - 7 (43.5 - 101.5)	32	11	225	156	60	-10 - 60 (14 - 140)	860	Sensor: GR04.280P (p.404) Connector cable: 20.503 (p.410) Connector cable: 20.507 (p.410) Connector cable: 20.570 (p.410) Mounting bracket: GR06.054 (p.240)
<b>GR04.122-40</b>	Double-acting	3 - 7 (43.5 - 101.5)	40	15	320	255	60	-10 - 60 (14 - 140)	950	Sensor: GR04.202N (p.404) Sensor: GR04.202P (p.404) Sensor: GR04.203N (p.404) Sensor: GR04.203P (p.404) Sensor: GR04.280N (p.404)
<b>GR04.122-40S</b>	Single-acting	3 - 7 (43.5 - 101.5)	40	15	320	255	60	-10 - 60 (14 - 140)	950	Sensor: GR04.280P (p.404) Connector cable: 20.503 (p.410) Connector cable: 20.507 (p.410) Connector cable: 20.570 (p.410) Mounting bracket: GR06.055 (p.240)

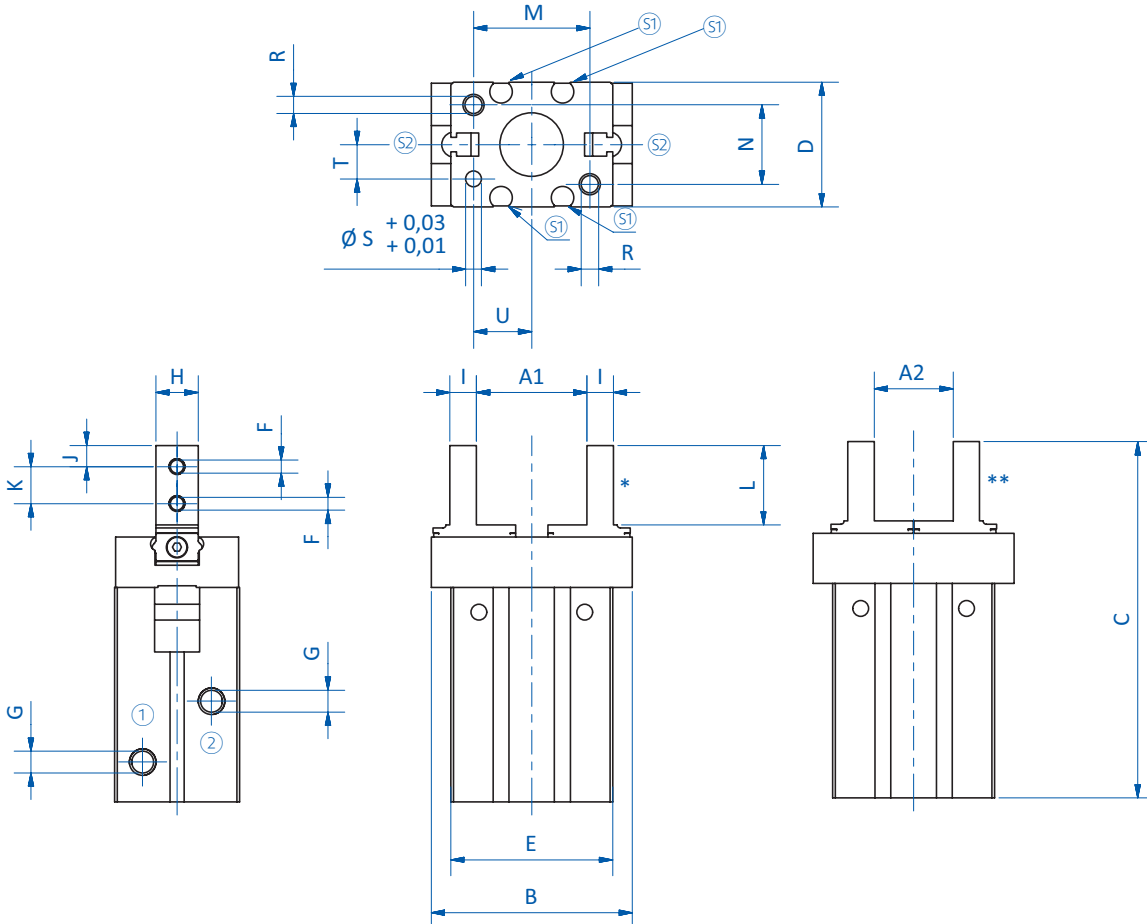
### Distance to gripping point (\* see diagrams)







Dimensions



Ⓜ1 = Sensor slot for GR04.202 and GR04.280 Ⓜ2 = Sensor slot for GR04.203 Ⓜ1 = Compressed air supply (open) Ⓜ2 = Compressed air supply (close)  
\* = Gripper jaw opened \*\* = Gripper jaw closed

Item no.	A1 [mm]	A2 [mm]	B [mm]	C [mm]	D [mm]	E [mm]	F	G	H [mm]	I [mm]	J [mm]	K [mm]	L [mm]	M [mm]	N [mm]	R	$\varnothing S$ [mm]	T [mm]	U [mm]
GR04.122-10	15.2	11.2	29	57	16.4	23	M2,5	M3	5	4	3	5.7	12	18	12	M3	2	5.2	7.6
GR04.122-10S	15.2	11.2	29	57	16.4	23	M2,5	M3	5	4	3	5.7	12	18	12	M3	2	5.2	7.6
GR04.122-16	20.9	14.9	38	67.3	23.6	30.6	M3	M5	8	5	4	7	15	22	15	M4	3	6.5	11
GR04.122-16S	20.9	14.9	38	67.3	23.6	30.6	M3	M5	8	5	4	7	15	22	15	M4	3	6.5	11
GR04.122-20	26.3	16.3	50	84.8	27.6	42	M4	M5	10	8	5	9	20	32	18	M5	4	7.5	16.8
GR04.122-20S	26.3	16.3	50	84.8	27.6	42	M4	M5	10	8	5	9	20	32	18	M5	4	7.5	16.8
GR04.122-25	33.3	19.3	63	102.7	33.6	52	M5	M5	12	10	6	12	25	40	22	M6	4	10	21.8
GR04.122-25S	33.3	19.3	63	102.7	33.6	52	M5	M5	12	10	6	12	25	40	22	M6	4	10	21.8
GR04.122-32	48	26	97	113	40	60	M6	M5	15	12	7	14	29	46	26	M6	5	12	23
GR04.122-32S	48	26	97	113	40	60	M6	M5	15	12	7	14	29	46	26	M6	5	12	23
GR04.122-40	60	30	119	139	48	72	M8	M5	18	14	9	17	36	56	32	M8	5	14	29
GR04.122-40S	60	30	119	139	48	72	M8	M5	18	14	9	17	36	56	32	M8	5	14	29

Continued on the next page →

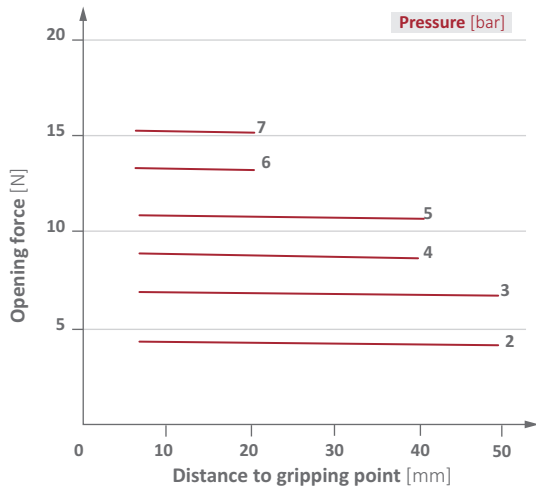


# Grippers | Parallel grippers

## 2-finger parallel grippers

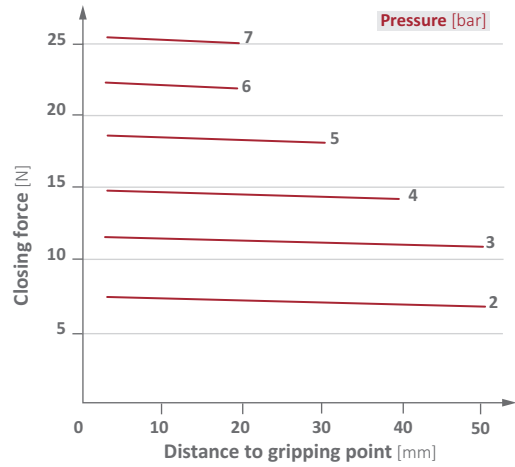
### Diagrams

> Opening force as a function of distance to gripping point and feed pressure



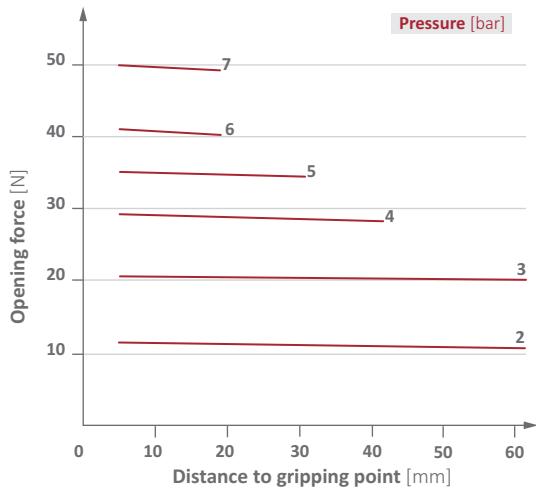
GR04.122-10 | GR04.122-10S

> Closing force as a function of distance to gripping point and feed pressure



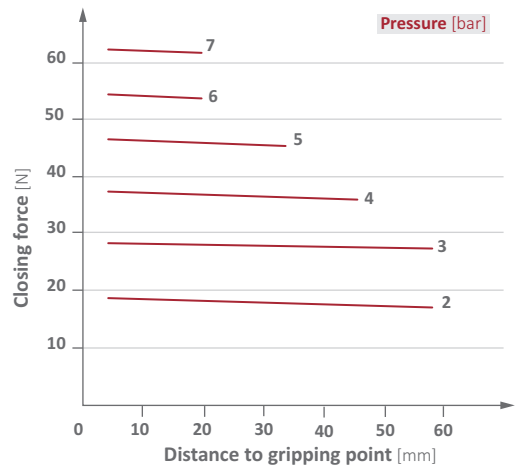
GR04.122-10 | GR04.122-10S

> Opening force as a function of distance to gripping point and feed pressure



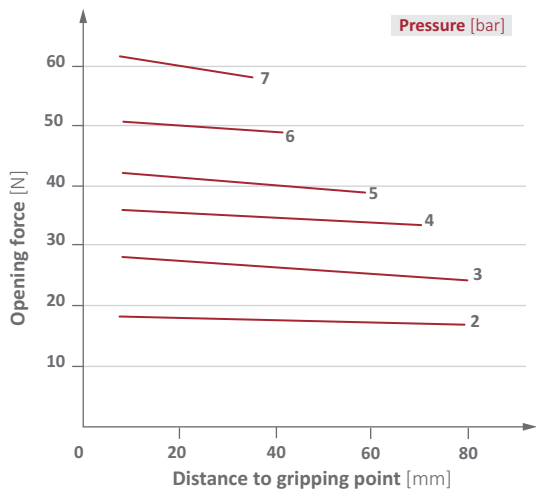
GR04.122-16 | GR04.122-16S

> Closing force as a function of distance to gripping point and feed pressure



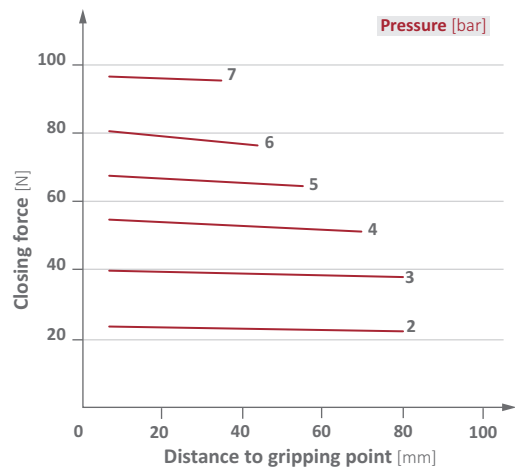
GR04.122-16 | GR04.122-16S

> Opening force as a function of distance to gripping point and feed pressure



GR04.122-20 | GR04.122-20S

> Closing force as a function of distance to gripping point and feed pressure

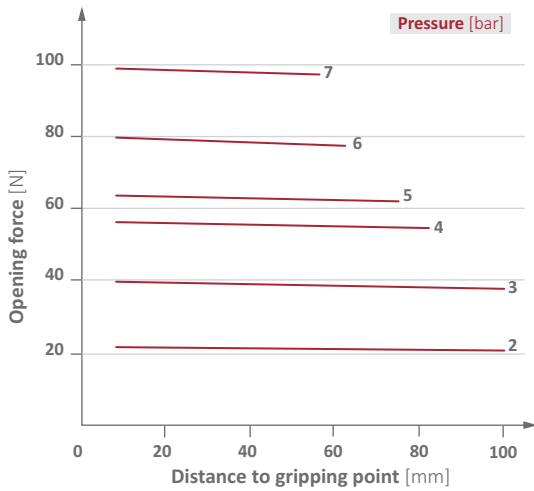


GR04.122-20 | GR04.122-20S



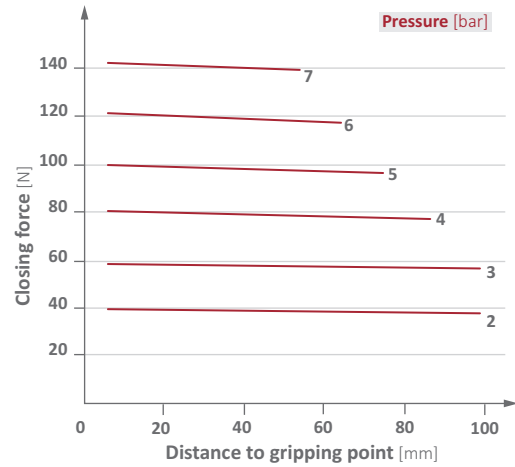
### Diagrams

> Opening force as a function of distance to gripping point and feed pressure



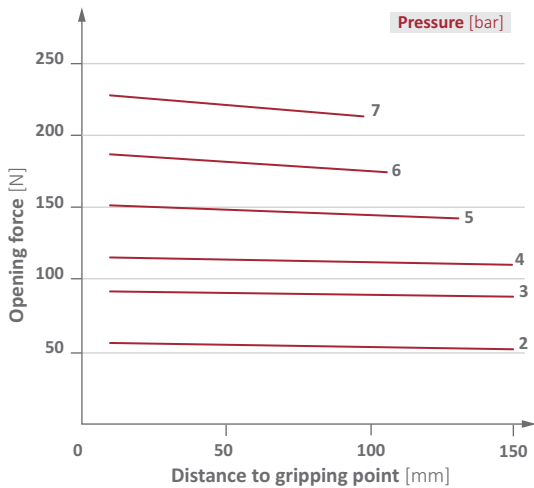
GR04.122-25 | GR04.122-25S

> Closing force as a function of distance to gripping point and feed pressure



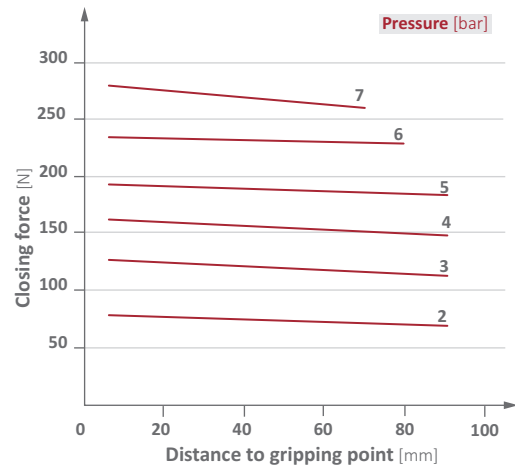
GR04.122-25 | GR04.122-25S

> Opening force as a function of distance to gripping point and feed pressure



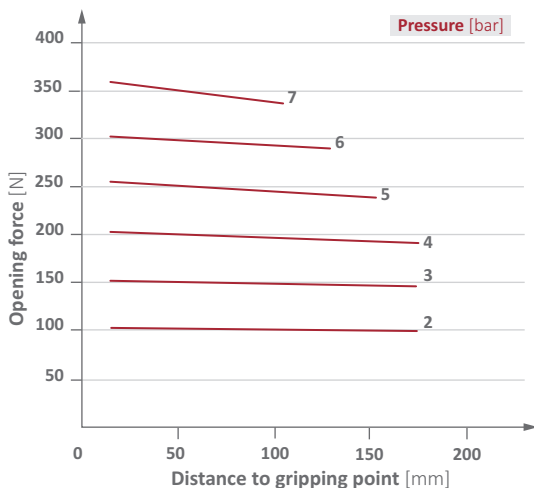
GR04.122-32 | GR04.122-32S

> Closing force as a function of distance to gripping point and feed pressure



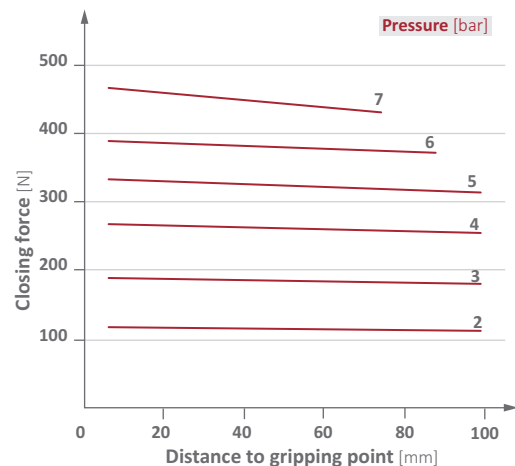
GR04.122-32 | GR04.122-32S

> Opening force as a function of distance to gripping point and feed pressure



GR04.122-40 | GR04.122-40S

> Closing force as a function of distance to gripping point and feed pressure



GR04.122-40 | GR04.122-40S



# Grippers | Parallel grippers

## Base jaws for parallel grippers

### Base jaws for parallel grippers



#### Product notes

- > Base jaws aluminum (index -1) for customization
- > Base jaws steel (index -4) with HNBR pads enable soft gripping
- > Base jaws with index -4 come with HNBR pads
- > Screws included in scope of delivery

#### Technical data

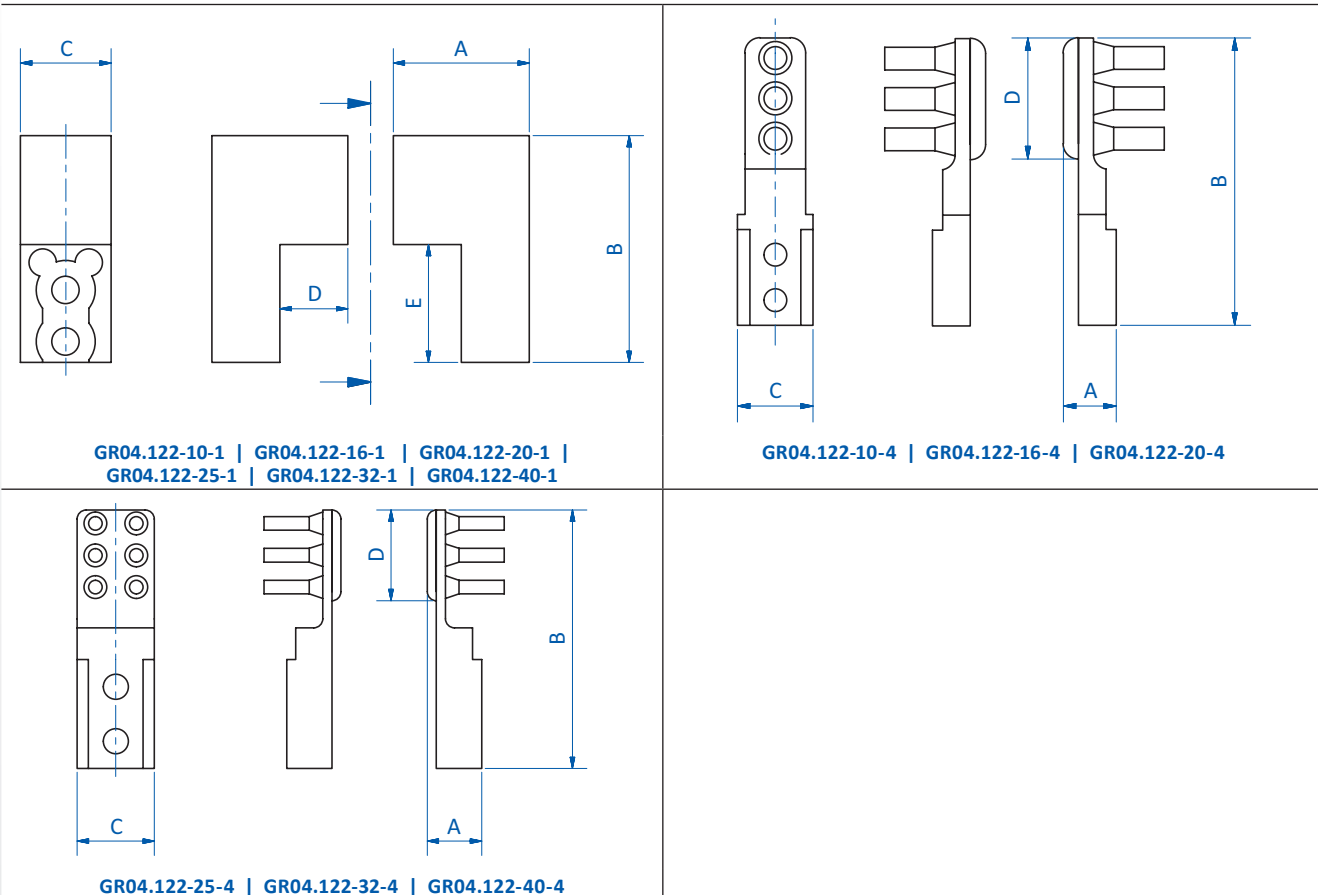
Item no.	Suitable for parallel grippers	Weight [g]	Replacement parts
<b>GR04.122-10-1</b>	GR04.122-10, GR04.122-10S	20	--
<b>GR04.122-16-1</b>	GR04.122-16, GR04.122-16S	24	--
<b>GR04.122-20-1</b>	GR04.122-20, GR04.122-20S	37	--
<b>GR04.122-25-1</b>	GR04.122-25, GR04.122-25S	53	--
<b>GR04.122-32-1</b>	GR04.122-32, GR04.122-32S	106	--
<b>GR04.122-40-1</b>	GR04.122-40, GR04.122-40S	156	--
<b>GR04.122-10-4</b>	GR04.122-10, GR04.122-10S	29	GR04.103-4HNBR
<b>GR04.122-16-4</b>	GR04.122-16, GR04.122-16S	49	GR04.103-4HNBR
<b>GR04.122-20-4</b>	GR04.122-20, GR04.122-20S	61	GR04.130C-4HNBR
<b>GR04.122-25-4</b>	GR04.122-25, GR04.122-25S	85	GR04.103-4HNBR
<b>GR04.122-32-4</b>	GR04.122-32, GR04.122-32S	136	GR04.103-4HNBR
<b>GR04.122-40-4</b>	GR04.122-40, GR04.122-40S	230	GR04.130C-4HNBR

#### Base jaws with HNBR pads





### Dimensions



Item no.	A [mm]	B [mm]	C [mm]	D [mm]	E [mm]
GR04.122-10-1	15	25	10	7.5	13
GR04.122-16-1	17.9	28	13	10.4	16
GR04.122-20-1	21.5	33	15	14	21
GR04.122-25-1	25	38	17	17.5	26
GR04.122-32-1	36.4	42	20	22.9	30
GR04.122-40-1	40.4	49	23	26.9	37
GR04.122-10-4	7.5	45.2	10	20	--
GR04.122-16-4	9.5	57	13	20	--
GR04.122-20-4	10.5	57	15	24	--
GR04.122-25-4	12	57	17	20	--
GR04.122-32-4	15.2	57	20	20	--
GR04.122-40-4	17.3	64	24	24	--



# Grippers | Parallel grippers

2-finger parallel grippers – high gripping force

## 2-finger parallel grippers – high gripping force



### Product notes

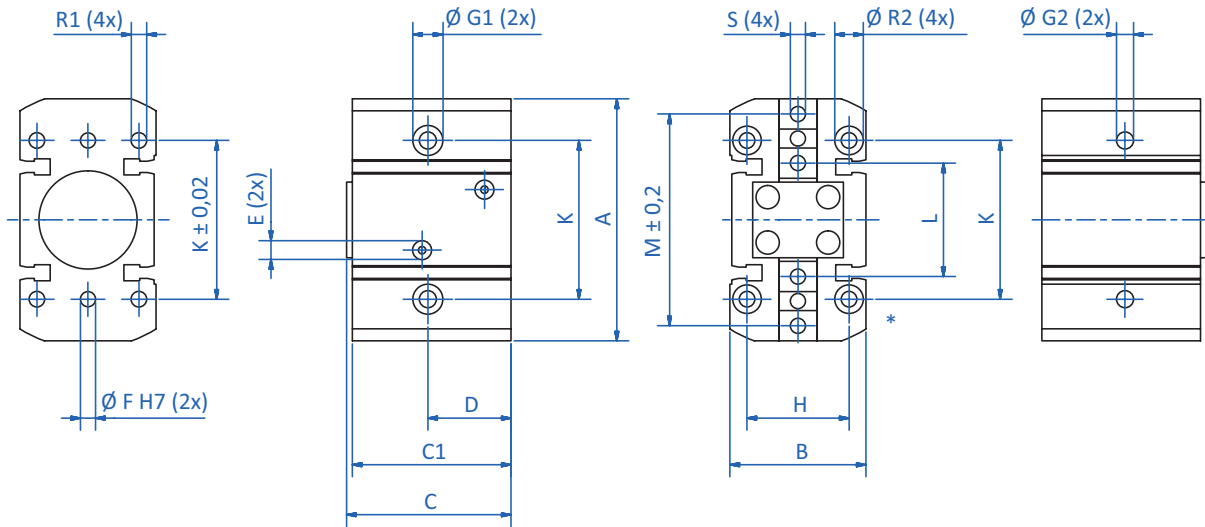
- > Grippers with high gripping force taking high bending moments
- > Compact design
- > Double-acting for inside/outside gripping and short duty cycles
- > Body made of high-strength aluminum alloy
- > Sensors for monitoring gripper action via piston position
- > Gripping force values are valid for a holding position L = 25 mm measured from top of gripper
- > Principle of operation: double-acting
- > Medium: filtered and oiled/unoiled air
- > PNP and NPN sensors:
  - T-slot (straight) for sensors: GR04.203P, GR04.203N

### Technical data

Item no.	GR04.600-12	GR04.600-16	GR04.600-20	GR04.600-26	GR04.600-32
Operating pressure [bar (psi)]	3 - 7 (43.5 - 101.5)	3 - 7 (43.5 - 101.5)	3 - 7 (43.5 - 101.5)	3 - 7 (43.5 - 101.5)	3 - 7 (43.5 - 101.5)
Piston diameter [mm]	12	16	20	26	32
Stroke per gripper jaw [mm]	6	8	10	13	16
Closing force at 6 bar (87 psi) [N]	240	320	550	750	1,200
Opening force at 6 bar (87 psi) [N]	280	370	600	830	1,300
Max. operating frequency [1/min]	180	180	180	180	180
Operating temperature [°C (°F)]	-5 - 60 (23 - 140)	-5 - 60 (23 - 140)	-5 - 60 (23 - 140)	-5 - 60 (23 - 140)	-5 - 60 (23 - 140)
Weight [g]	280	450	760	1,400	2,500
Suitable sensors	GR04.203N (p.404) GR04.203P (p.404)	GR04.203N (p.404) GR04.203P (p.404)	GR04.203N (p.404) GR04.203P (p.404)	GR04.203N (p.404) GR04.203P (p.404)	GR04.203N (p.404) GR04.203P (p.404)



## Dimensions



\* = Gripper jaw closed

Item no.	GR04.600-12	GR04.600-16	GR04.600-20	GR04.600-26	GR04.600-32
A [mm]	64	80	100	125	160
B [mm]	36	42	50	60	72
C [mm]	43.8	53	61	70	84
C1 [mm]	42	51	59	68	82
D [mm]	22	23	20	36	34
E	M5	M5	Rc1/8	Rc1/8	Rc1/8
Ø F [mm]	4	4	5	6	6
Ø G1	7.5x13	9x16	11x19	15x14	15x15
Ø G2 [mm]	4	5.1	6.6	9	9
H [mm]	27	32	38	45	56
K [mm]	42	52	66	82	100
L	28 (min)	38 (min)	46 (min)	60 (min)	78 (min)
M [mm]	56	70	88	108	142
R1	M5	M5	M6	M8	M8
Ø R2	7.5x26	7.5x33	9.1x45	11x42	11x56
S	M4x8	M5x10	M6x12	M6x13	M8x17

Continued on the next page →

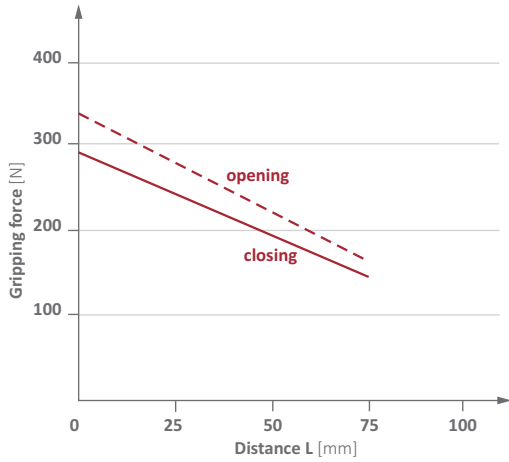


# Grippers | Parallel grippers

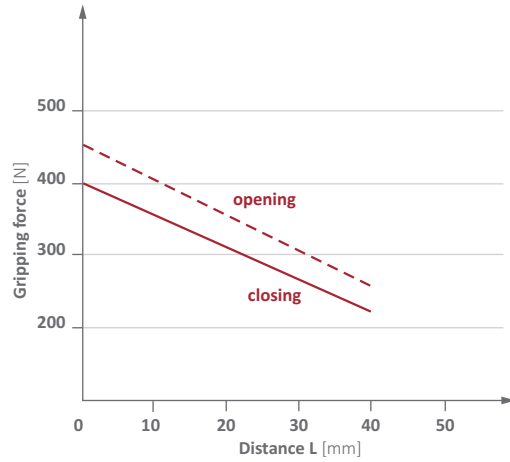
2-finger parallel grippers – high gripping force

## Diagrams

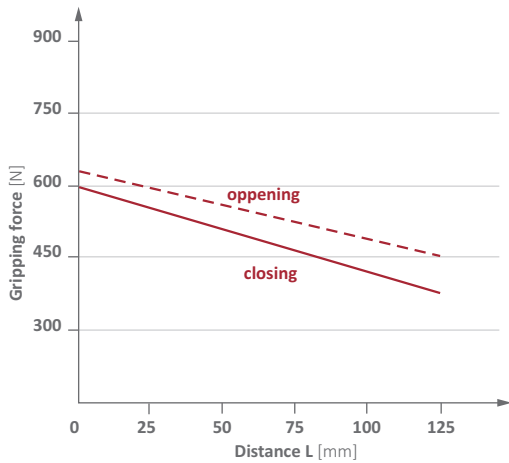
> Gripping force piston diameter 12 mm



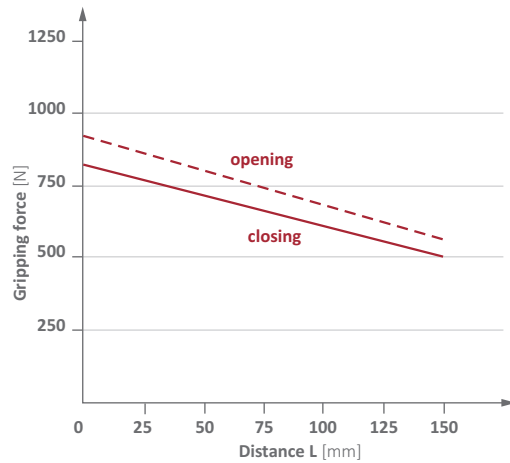
> Gripping force piston diameter 16 mm



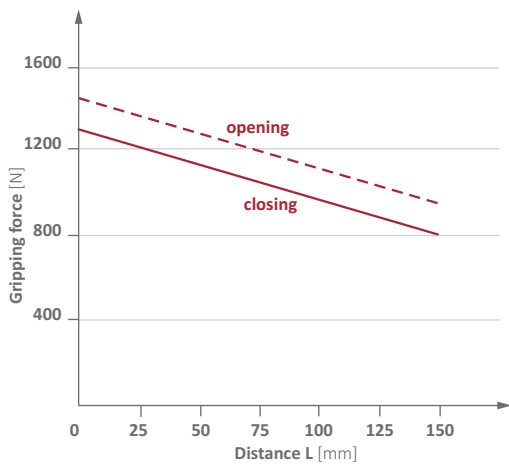
> Gripping force piston diameter 20 mm



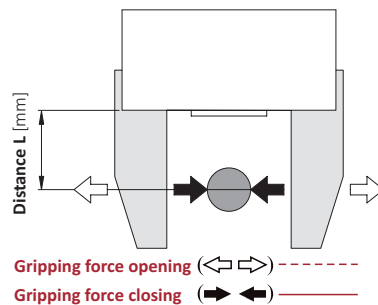
> Gripping force piston diameter 26 mm



> Gripping force piston diameter 32 mm



> Description of holding position L







### Parallel grippers for large strokes – piston diameter 10 - 20 mm



#### Product notes

- > Gripper for large strokes for handling large parts
- > Double-acting for inside/outside gripping and short duty cycles
- > Body and jaws made of high-strength aluminum alloy
- > Sensors for monitoring gripper action via piston position optionally available
- > Principle of operation: double-acting
- > Medium: filtered and oiled/unoiled air
- > PNP and NPN sensors:
  - T-slot (straight) for sensors: GR04.199, GR04.199/NPN

#### Technical data

Item no.	GR04.510	GR04.510-1	GR04.510-2	GR04.516	GR04.516-1	GR04.516-2	GR04.520	GR04.520-1	GR04.520-2
Operating pressure [bar (psi)]	1.5 - 6 (21.8 - 87)	1.5 - 6 (21.8 - 87)	1.5 - 6 (21.8 - 87)	1 - 6 (14.5 - 87)	1 - 6 (14.5 - 87)	1 - 6 (14.5 - 87)	1 - 6 (14.5 - 87)	1 - 6 (14.5 - 87)	1 - 6 (14.5 - 87)
Piston diameter [mm]	10	10	10	16	16	16	20	20	20
Stroke per gripper jaw [mm]	10	20	30	15	30	40	20	40	50
Closing force at 6 bar (87 psi) [N]	22	22	22	60	60	60	100	100	100
Operating temperature [°C (°F)]	-5 - 70 (23 - 158)	-5 - 70 (23 - 158)	-5 - 70 (23 - 158)	-5 - 70 (23 - 158)	-5 - 70 (23 - 158)	-5 - 70 (23 - 158)	-5 - 70 (23 - 158)	-5 - 70 (23 - 158)	-5 - 70 (23 - 158)
Weight [g]	280	350	430	600	800	950	1,000	1,500	1,700
Suitable sensors	GR04.199 (p.404) GR04.199/ NPN (p.404)	GR04.199 (p.404) GR04.199/ NPN (p.404)	GR04.199 (p.404) GR04.199/ NPN (p.404)	GR04.199 (p.404) GR04.199/ NPN (p.404)	GR04.199 (p.404) GR04.199/ NPN (p.404)	GR04.199 (p.404) GR04.199/ NPN (p.404)	GR04.199 (p.404) GR04.199/ NPN (p.404)	GR04.199 (p.404) GR04.199/ NPN (p.404)	GR04.199 (p.404) GR04.199/ NPN (p.404)

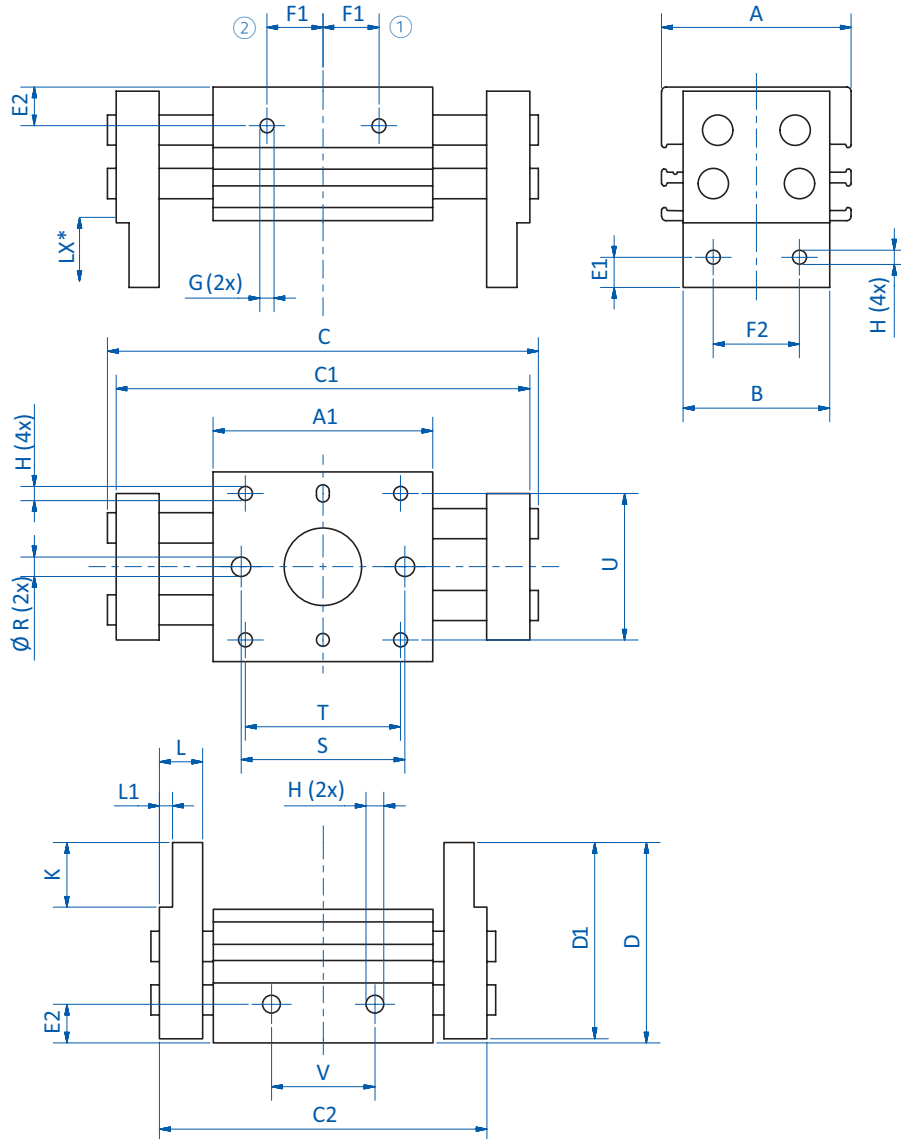
Continued on the next page →



# Grippers | Parallel grippers

Parallel grippers for large strokes – piston diameter 10 - 20 mm

## Dimensions



\* = LX: Distance gripper jaws – workpiece ① = Compressed air supply (open) ② = Compressed air supply (close)

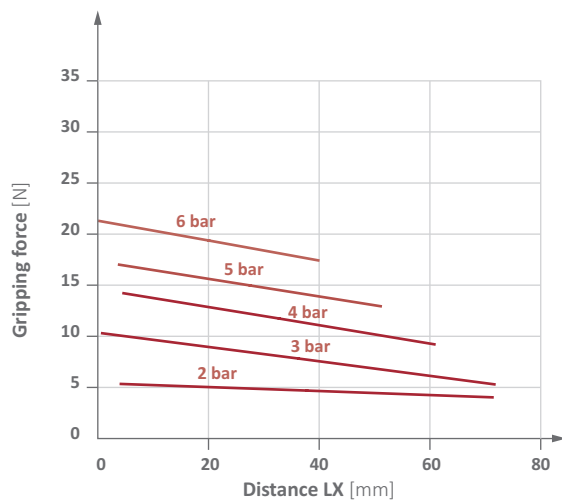
Item no.	GR04.510	GR04.510-1	GR04.510-2	GR04.516	GR04.516-1	GR04.516-2	GR04.520	GR04.520-1	GR04.520-2
A [mm]	44	44	44	55	55	55	65	65	65
A1 [mm]	51	67	85	60	90	110	71	113	133
B [mm]	35	35	35	44.8	44.8	44.8	54	54	54
C [mm]	101	142	180	130	200	240	159	259	300
C1 [mm]	97	138	176	126	196	236	156	256	297
C2 [mm]	74.5	96.5	114.5	92.5	134.5	154.5	116	176	199.5
D [mm]	46.5	46.5	46.5	59	59	59	70	70	70
D1 [mm]	46	46	46	58	58	58	69	69	69
E1 [mm]	7	7	7	8	8	8	10	10	10
E2 [mm]	9	9	9	10	10	10	11	11	11
F1 [mm]	12	19.5	28.5	14.1	29.4	39.4	16.9	34.4	50
F2 [mm]	20	20	20	25	25	25	30	30	30
G	M5	M5	M5	M5	M5	M5	M5	M5	M5



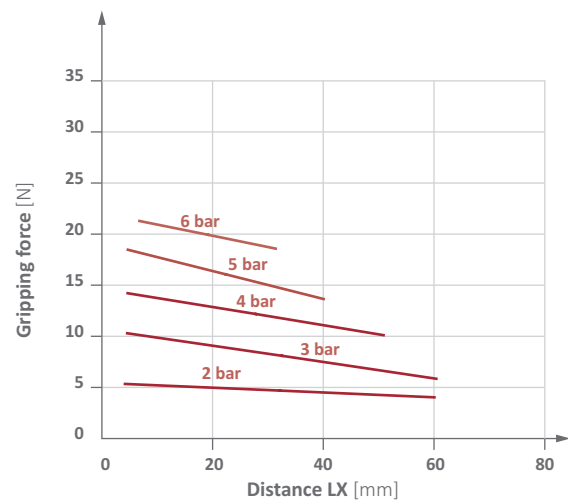
Item no.	GR04.510	GR04.510-1	GR04.510-2	GR04.516	GR04.516-1	GR04.516-2	GR04.520	GR04.520-1	GR04.520-2
H	M4	M4	M4	M5	M5	M5	M6	M6	M6
K [mm]	15	15	15	19	19	19	24	24	24
L [mm]	10	10	10	12.8	12.8	12.8	17	17	17
L1 [mm]	3	3	3	4	4	4	4.5	4.5	4.5
Ø R [mm]	4.5	4.5	4.5	5.5	5.5	5.5	6.6	6.6	6.6
S [mm]	38	54	72	40	70	90	54	96	116
T [mm]	36	52	70	46	75	95	58	100	120
U [mm]	34	34	34	43	43	43	52	52	52
V [mm]	26	42	60	28	58	78	38	80	100

### Diagrams

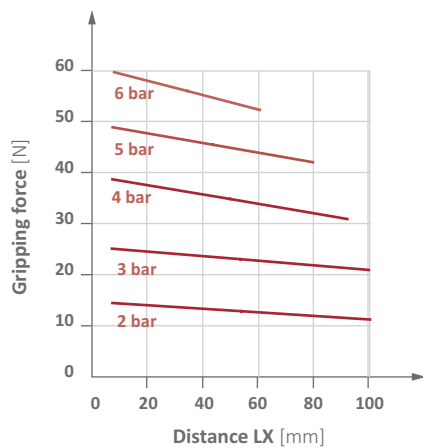
> Gripping force piston diameter 10 mm – standard version



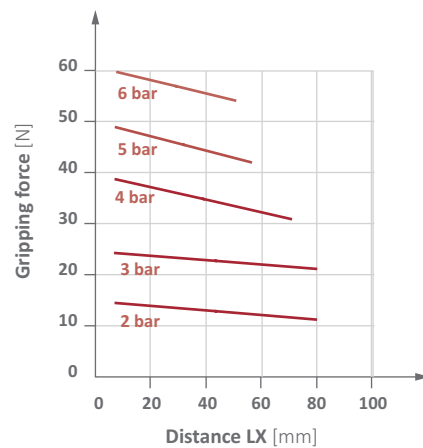
> Gripping force piston diameter 10 mm – versions 1 & 2



> Gripping force piston diameter 16 mm – standard version



> Gripping force piston diameter 16 mm – versions 1 & 2



\* = LX distance to gripping point

Continued on the next page →

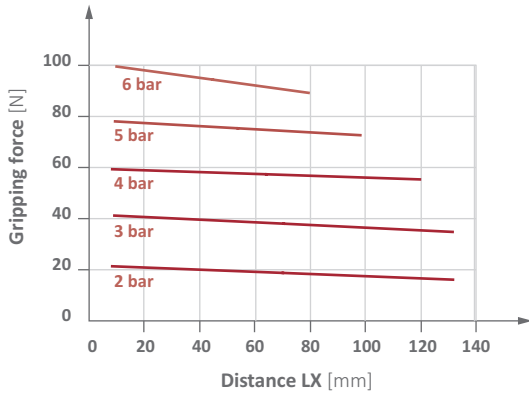


# Grippers | Parallel grippers

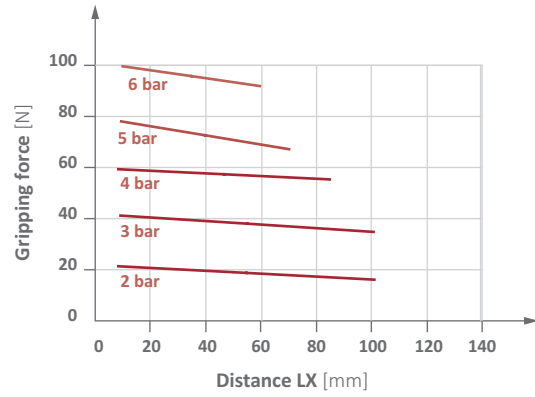
Parallel grippers for large strokes – piston diameter 10 - 20 mm

## Diagrams

> Gripping force piston diameter 20 mm – standard version



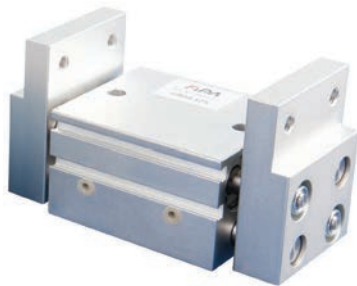
> Gripping force piston diameter 20 mm – versions 1 & 2



\* = LX distance to gripping point



### Parallel grippers for large strokes – piston diameter 25 - 32 mm



#### Product notes

- > Grippers for large strokes for handling large parts
- > Double-acting for inside/outside gripping and short duty cycles
- > Body and jaws made of high-strength aluminum alloy
- > Sensors for monitoring gripper action via piston position optionally available
- > Principle of operation: double-acting
- > Medium: filtered and oiled/unoiled air
- > PNP and NPN sensors:
  - T-slot (straight) for sensors: GR04.199, GR04.199/NPN

#### Technical data

Item no.	GR04.525	GR04.525-1	GR04.525-2	GR04.532	GR04.532-1	GR04.532-2
Operating pressure [bar (psi)]	1 - 6 (14.5 - 87)	1 - 6 (14.5 - 87)	1 - 6 (14.5 - 87)	1 - 6 (14.5 - 87)	1 - 6 (14.5 - 87)	1 - 6 (14.5 - 87)
Piston diameter [mm]	25	25	25	32	32	32
Stroke per gripper jaw [mm]	25	50	60	35	60	80
Closing force at 6 bar (87 psi) [N]	160	160	160	300	300	300
Operating temperature [°C (°F)]	-5 - 70 (23 - 158)	-5 - 70 (23 - 158)	-5 - 70 (23 - 158)	-5 - 70 (23 - 158)	-5 - 70 (23 - 158)	-5 - 70 (23 - 158)
Weight [g]	1,700	2,500	2,800	2,900	3,800	4,700
Suitable sensors	GR04.199 (p.404) GR04.199/NPN (p.404)	GR04.199 (p.404) GR04.199/NPN (p.404)	GR04.199 (p.404) GR04.199/NPN (p.404)	GR04.199 (p.404) GR04.199/NPN (p.404)	GR04.199 (p.404) GR04.199/NPN (p.404)	GR04.199 (p.404) GR04.199/NPN (p.404)

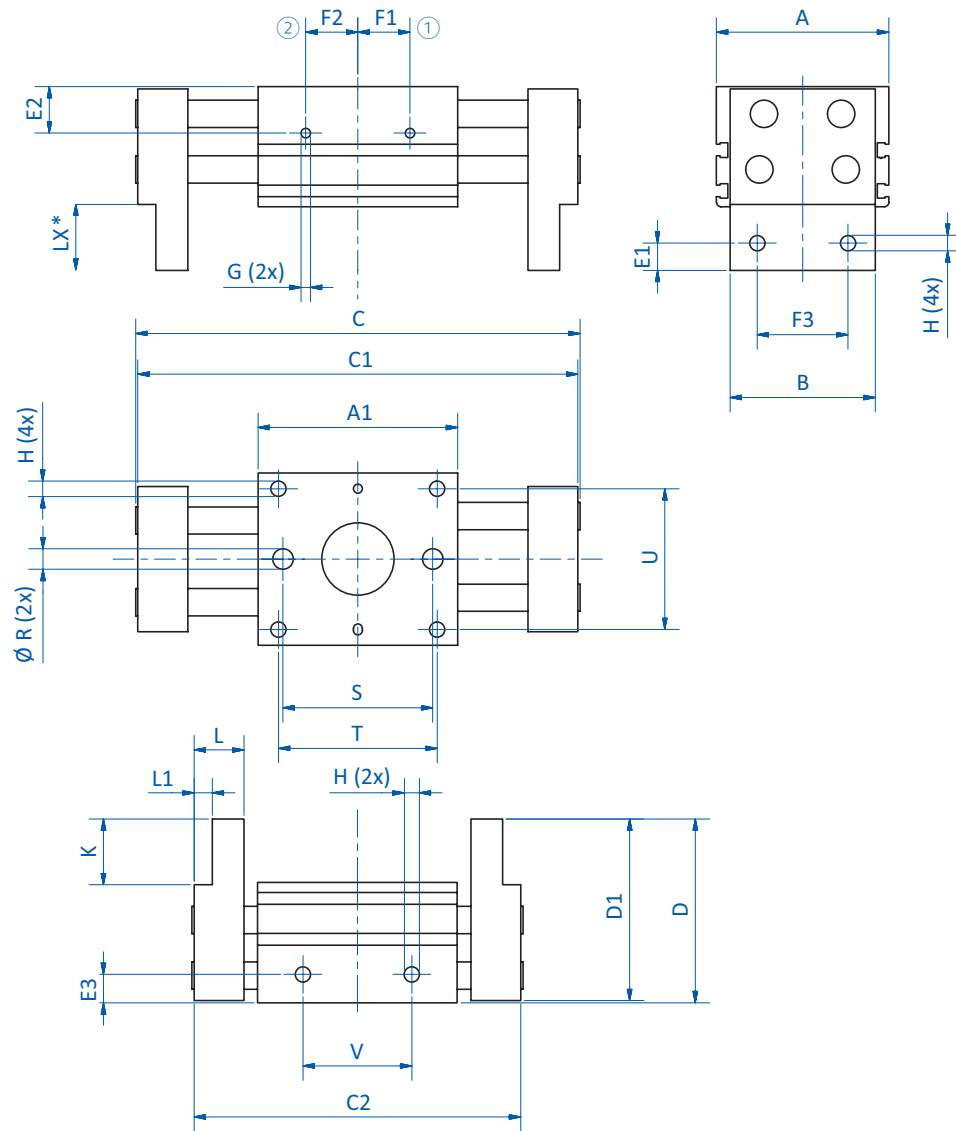
Continued on the next page →



# Grippers | Parallel grippers

Parallel grippers for large strokes – piston diameter 25 - 32 mm

## Dimensions

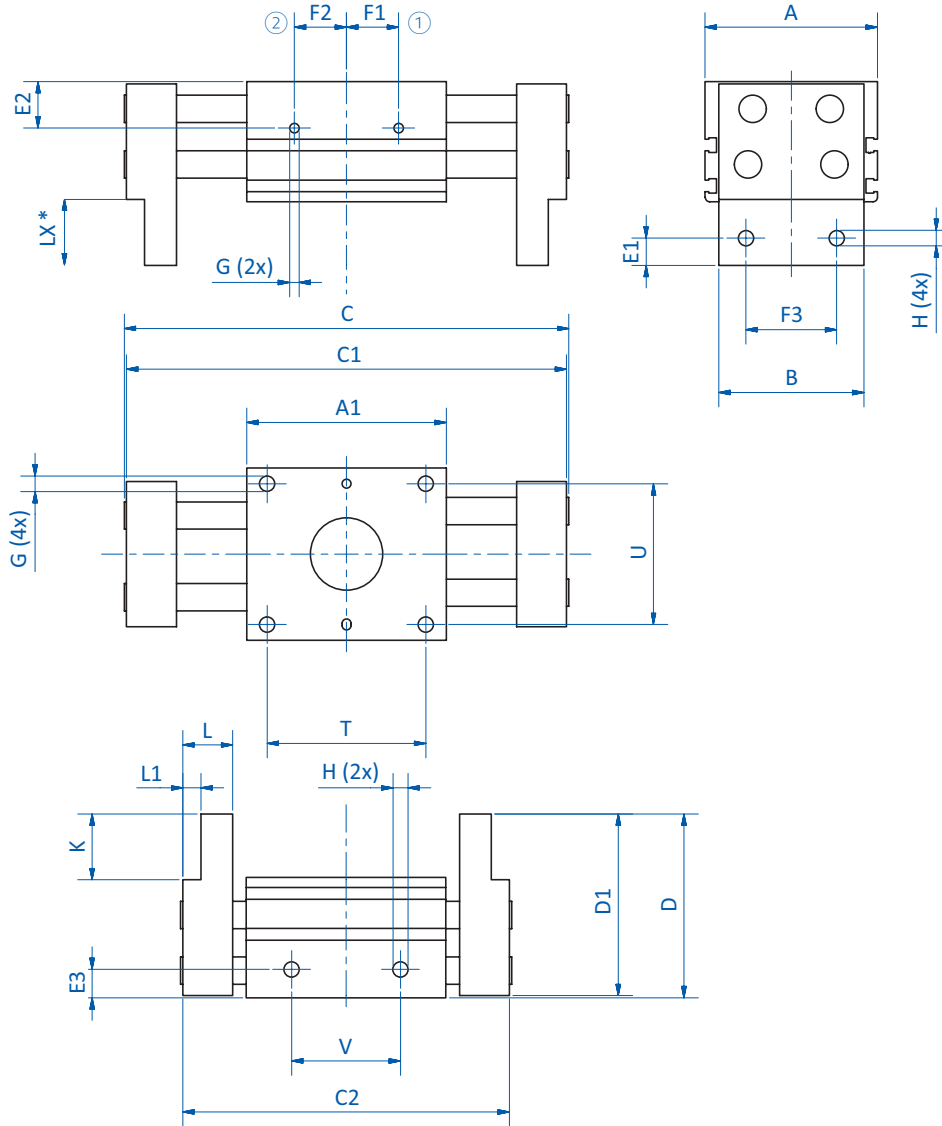


GR04.525 | GR04.525-1 | GR04.525-2

\* = LX: Distance gripper jaws – workpiece ① = Compressed air supply (open) ② = Compressed air supply (close)



Dimensions



GR04.532 | GR04.532-1 | GR04.532-2

\* = LX: Distance gripper jaws – workpiece ① = Compressed air supply (open) ② = Compressed air supply (close)

Item no.	GR04.525	GR04.525-1	GR04.525-2	GR04.532	GR04.532-1	GR04.532-2
A [mm]	76	76	76	82	82	82
A1 [mm]	88	142	160	110	158	202
B [mm]	64	64	64	70	70	70
C [mm]	196.5	328	366	272	370	454
C1 [mm]	195	326	364	268	366	450
C2 [mm]	144	226	244	198	246	290
D [mm]	81	81	81	100	100	100
D1 [mm]	80	80	80	99	99	99
E1 [mm]	12	12	12	15	15	15
E2 [mm]	20.5	20.5	20.5	22	22	22
E3 [mm]	12.5	12.5	12.5	16	16	16

Continued on the next page



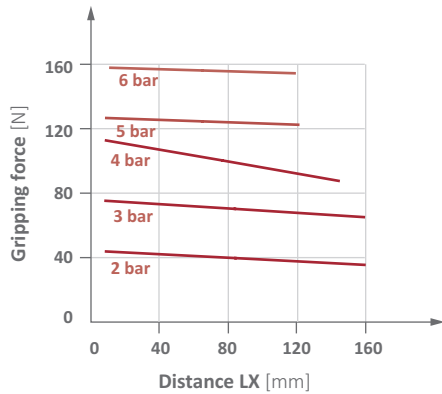
# Grippers | Parallel grippers

Parallel grippers for large strokes – piston diameter 25 - 32 mm

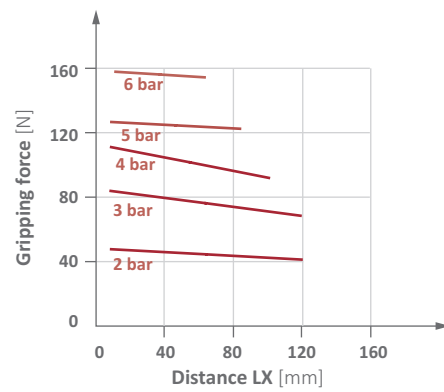
Item no.	GR04.525	GR04.525-1	GR04.525-2	GR04.532	GR04.532-1	GR04.532-2
F1 [mm]	22	50	59	30	54	76
F2 [mm]	22	23	24	30	54	76
F3 [mm]	40	40	40	50	50	50
G	M5	M5	M5	M8	M8	M8
H	M8	M8	M8	M10	M10	M10
K [mm]	29	29	29	32	32	32
L [mm]	22	22	22	24	24	24
L1 [mm]	8	8	8	9	9	9
Ø R [mm]	9	9	9	--	--	--
S [mm]	66	120	138	--	--	--
T [mm]	70	124	142	86	134	178
U [mm]	62	62	62	64	64	64
V [mm]	48	102	120	54	102	146

## Diagrams

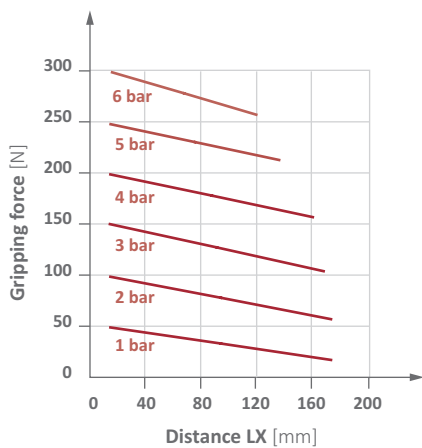
> Gripping force piston diameter 25 mm – standard version



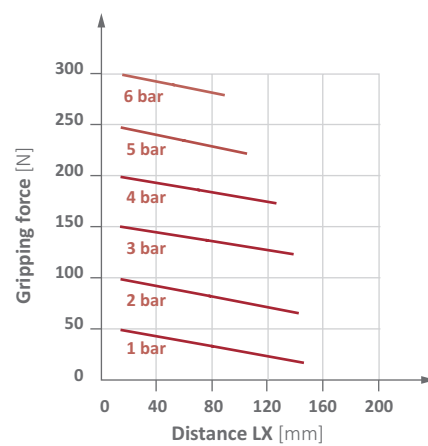
> Gripping force piston diameter 25 mm – versions 1 & 2



> Gripping force piston diameter 32 mm – standard version



> Gripping force piston diameter 32 mm – versions 1 & 2



\* = LX distance to gripping point





## 3-finger grippers



## Product notes

- > Grippers with high gripping force
- > Compact design
- > Double-acting for inside/outside gripping and short duty cycles
- > Body and jaws made of high-strength aluminum alloy
- > Sensors for monitoring gripper action via piston position optionally available
- > Principle of operation: double-acting
- > Medium: filtered and oiled/unoiled air
- > PNP and NPN sensors:
  - T-slot (straight) for sensors: GR04.199, GR04.199/NPN

## Calculation of the inner gripping diameter:

- > Min.: dimensions W closed x 2
- > Max.: dimensions W opened x 2

## Technical data

Item no.	GR04.125-16	GR04.125-25	GR04.125-32	GR04.125-40	GR04.125-50	GR04.125-60	GR04.125-80
Operating pressure [bar (psi)]	2 - 6 (29 - 87)	2 - 6 (29 - 87)	1 - 6 (14.5 - 87)	1 - 6 (14.5 - 87)	1 - 6 (14.5 - 87)	1 - 6 (14.5 - 87)	1 - 6 (14.5 - 87)
Piston diameter [mm]	16	25	32	40	50	63	80
Stroke per gripper jaw [mm]	2	3	4	5	6	8	10
Closing force at 5 bar (72,5 psi) [N]	14	42	74	118	187	335	500
Opening force at 5 bar (72,5 psi) [N]	16	47	82	130	204	359	525
Operating frequency [Hz]	120	120	60	60	60	60	30
Operating temperature [°C (°F)]	-5 - 70 (23 - 158)	-5 - 70 (23 - 158)	-5 - 70 (23 - 158)	-5 - 70 (23 - 158)	-5 - 70 (23 - 158)	-5 - 70 (23 - 158)	-5 - 70 (23 - 158)
Weight [g]	62	139	240	354	542	1,000	1,850
Accessories	Sensor: GR04.280N (p.404) Sensor: GR04.280P (p.404) Mounting bracket: GR06.125-16 (p.241)	Sensor: GR04.280N (p.404) Sensor: GR04.280P (p.404) Mounting bracket: GR06.125-25 (p.241)	Sensor: GR04.199 (p.404) Sensor: GR04.199/NPN (p.404) Mounting bracket: GR06.125-32 (p.241)	Sensor: GR04.199 (p.404) Sensor: GR04.199/NPN (p.404) Mounting bracket: GR06.125-40 (p.241)	Sensor: GR04.199 (p.404) Sensor: GR04.199/NPN (p.404) Mounting bracket: GR06.125-50 (p.241)	Sensor: GR04.199 (p.404) Sensor: GR04.199/NPN (p.404) Mounting bracket: GR06.125-60 (p.241)	Sensor: GR04.199 (p.404) Sensor: GR04.199/NPN (p.404) Mounting bracket: GR06.125-80 (p.241)

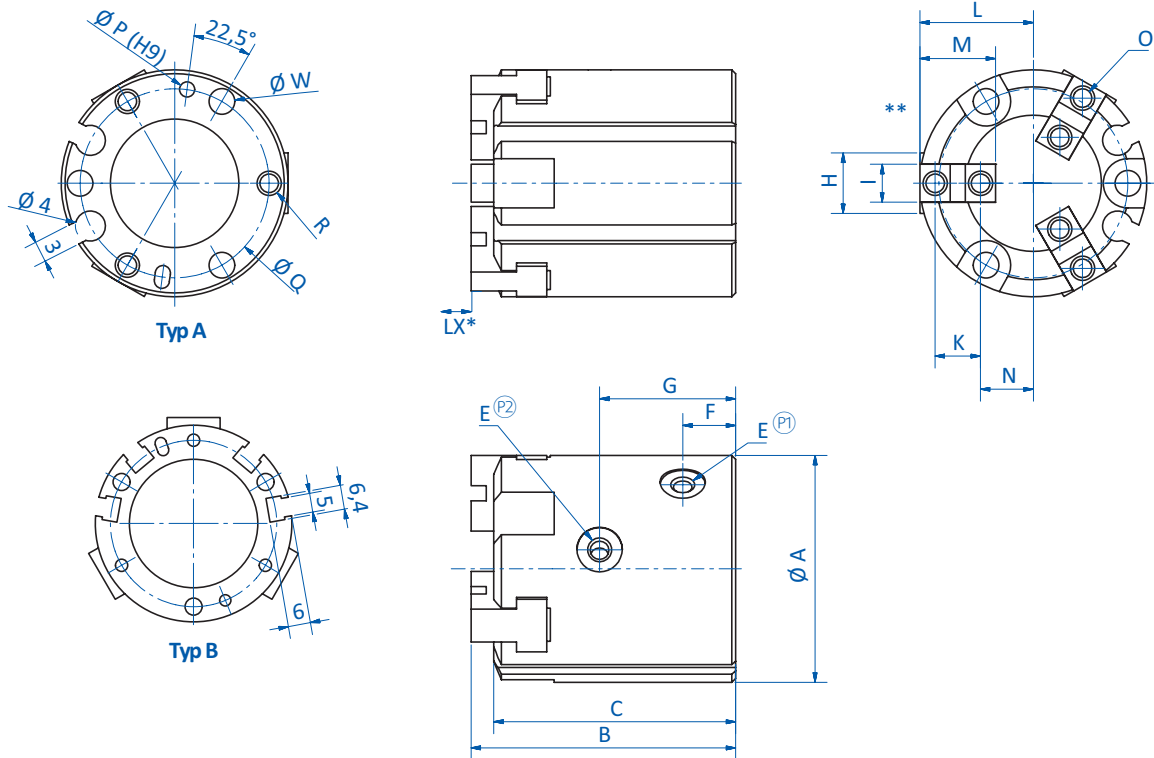
Continued on the next page →



# Grippers | Parallel grippers

## 3-finger grippers

### Dimensions



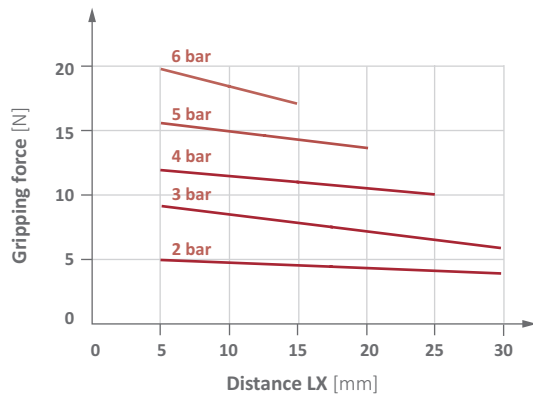
\* = LX: Distance between the gripper jaw and the gripper (see gripper force diagrams)  $\textcircled{P1}$  = Compressed air supply (open)  $\textcircled{P2}$  = Compressed air supply (close) \*\* = Gripper jaw closed

Item no.	GR04.125-16	GR04.125-25	GR04.125-32	GR04.125-40	GR04.125-50	GR04.125-60	GR04.125-80
$\varnothing A$ [mm]	30	42	52	62	70	86	106
B [mm]	35	40	44	47	55	66	82
C [mm]	32	37	41	44	52	62	77
E	M3x0.5x11	M5x0.8x15	M5x0,8	M5x0,8	M5x0,8	M5x0,8	G1/8
F [mm]	7	7	8	8	9	12	13.5
G [mm]	18	22	24	26	29	34	40.5
H [mm]	8	12	14	16	18	24	28
I [mm]	5	6	8	8	10	12	14
K [mm]	6	8	11	12	14	17	20
L open [mm]	17	24	32	35	41	51	63.3
L closed [mm]	15	21	28	31	35	43	53.3
M [mm]	10	14	20	21	24	28	32
N open [mm]	9	13	16.5	19	21	28.5	37.3
N closed [mm]	7	9	12.5	14	15	20.5	27.3
O	M3x0.5x5	M3x0.5x5	M4x0.7x8	M4x0.7x8	M5x0.8x10	M5x0.8x10	M6x1x12
$\varnothing P$	2x2	3x3	3x3	4x4	4x4	5x5	5x5
$\varnothing Q$ [mm]	25	34	44	53	62	76	95
R	M3x0.5x4	M4x0.5x7	M4x0.7x6	M5x0.8x0.7	M5x0.8x10	M6x1x9	M6x1x12
$\varnothing W$ [mm]	3.4	4.5	4.5	5.5	5.5	6.5	6.5
Model	A	A	B	B	B	B	B

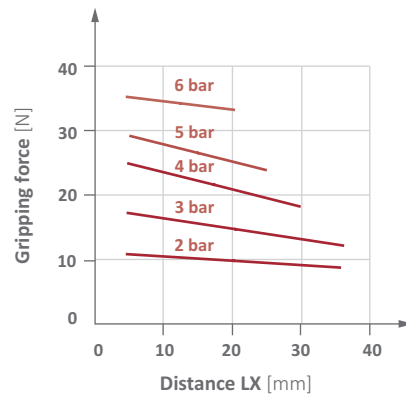


### Diagrams

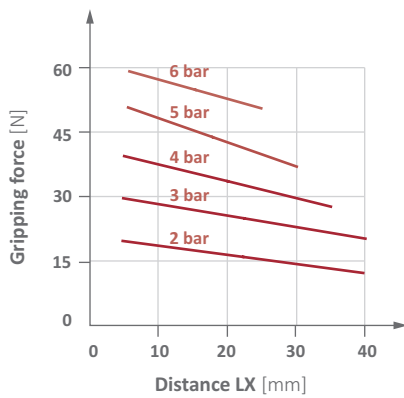
> Gripping force piston diameter 16 mm



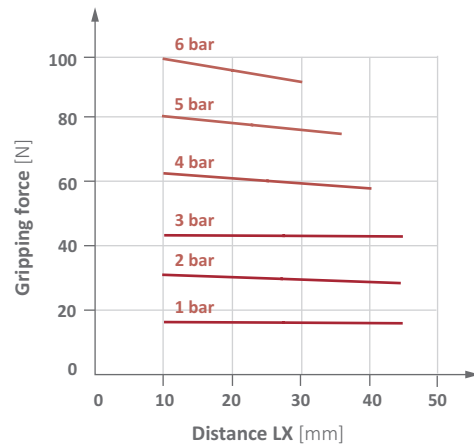
> Gripping force piston diameter 20 mm



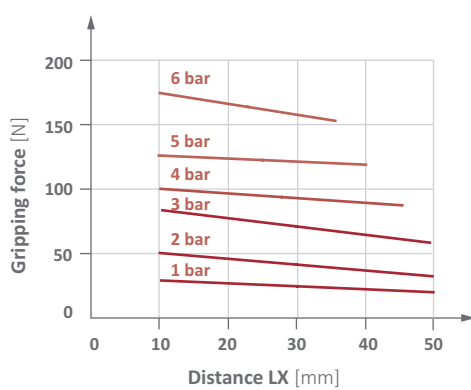
> Gripping force piston diameter 25 mm



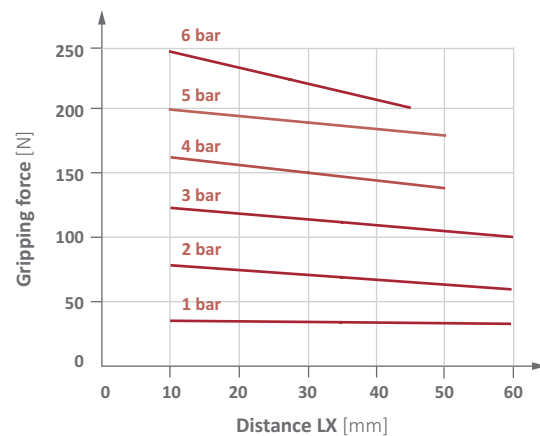
> Gripping force piston diameter 32 mm



> Gripping force piston diameter 40 mm



> Gripping force piston diameter 50 mm



\* = LX distance to gripping point



# Grippers | Parallel grippers

3-finger grippers for large strokes

## 3-finger grippers for large strokes



### Product notes

- > Grippers with stroke more than double of GR04.125 at same gripping force
- > Compact and flat design
- > Double-acting for inside/outside gripping and short duty cycles
- > Body and jaws made of high-strength aluminum alloy
- > Sensors for monitoring gripper action via piston position optionally available
- > Principle of operation: double-acting
- > Medium: filtered and oiled/un-oiled air
- > PNP and NPN sensors:
  - C-slot (90° angle): GR04.202P, GR04.202N
  - C-slot (straight, short design): GR04.280P, GR04.280N

### Calculation of the inner gripping diameter:

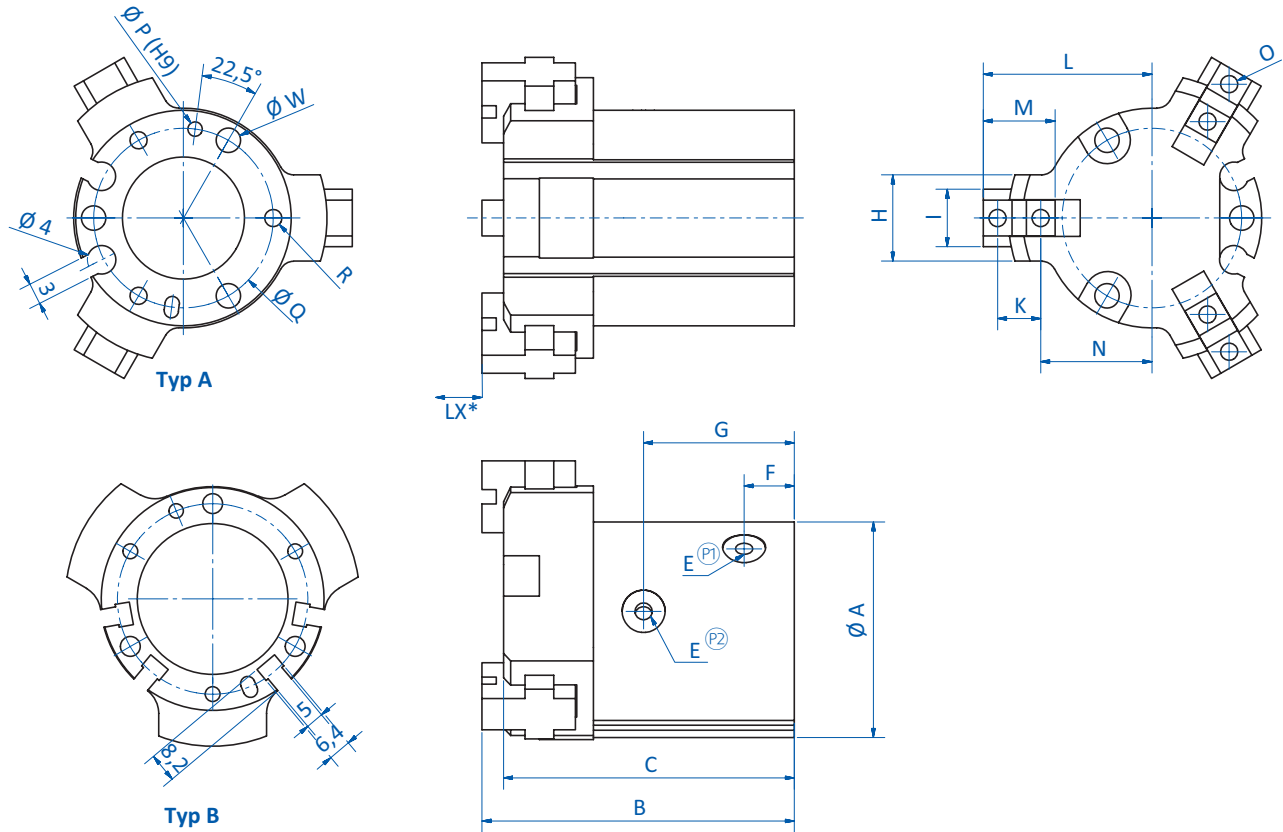
- > Min.: dimensions W closed x 2
- > Max.: dimensions W opened x 2

### Technical data

Item no.	GR04.125-16L	GR04.125-25L	GR04.125-32L	GR04.125-40L	GR04.125-50L
Operating pressure [bar (psi)]	2 - 6 (29 - 87)	2 - 6 (29 - 87)	1 - 6 (14.5 - 87)	1 - 6 (14.5 - 87)	1 - 6 (14.5 - 87)
Piston diameter [mm]	16	25	32	40	50
Stroke per gripper jaw [mm]	5	6	8	10	14
Closing force at 5 bar (72,5 psi) [N]	14	42	74	118	187
Opening force at 5 bar (72,5 psi) [N]	16	47	82	130	204
Operating frequency [Hz]	120	120	60	60	60
Operating temperature [°C (°F)]	-10 - 60 (14 - 140)	-10 - 60 (14 - 140)	-10 - 60 (14 - 140)	-10 - 60 (14 - 140)	-10 - 60 (14 - 140)
Weight [g]	100	190	373	600	930
Accessories	Sensor: GR04.202N (p.404) Sensor: GR04.202P (p.404) Sensor: GR04.280N (p.404) Sensor: GR04.280P (p.404) Mounting bracket: GR06.125-16 (p.241)	Sensor: GR04.202N (p.404) Sensor: GR04.202P (p.404) Sensor: GR04.280N (p.404) Sensor: GR04.280P (p.404) Mounting bracket: GR06.125-25 (p.241)	Sensor: GR04.202N (p.404) Sensor: GR04.202P (p.404) Sensor: GR04.280N (p.404) Sensor: GR04.280P (p.404) Mounting bracket: GR06.125-32 (p.241)	Sensor: GR04.199 (p.404) Sensor: GR04.199/NPN (p.404) Mounting bracket: GR06.125-40 (p.241)	Sensor: GR04.199 (p.404) Sensor: GR04.199/NPN (p.404) Mounting bracket: GR06.125-50 (p.241)



## Dimensions



\* = LX: Distance between the gripper jaw and the gripper (see gripper force diagrams) (P1) = Compressed air supply (open) (P2) = Compressed air supply (close)

Item no.	GR04.125-16L	GR04.125-25L	GR04.125-32L	GR04.125-40L	GR04.125-50L
Ø A [mm]	30	42	52	62	70
B [mm]	43.5	49	58	64	77.5
C [mm]	40.5	46	55	61	74.5
E	M3	M5	M5	M5	M5
F [mm]	7	7	8	9	9
G [mm]	21	23.5	28	31	38
H [mm]	12	19	24	30	32
I [mm]	8	13	16	18	20
K [mm]	6	8	11	12	14
L open [mm]	23.5	30	42	47.5	60
L closed [mm]	18.5	24	34	37.5	46
M [mm]	10	14	20	21	24
N open [mm]	15.5	19	26.5	31	41
N closed [mm]	10.5	13	18.5	21	27
O	M3/5deep	M3/6deep	M4/8deep	M4/8deep	M5/10deep
Ø P	2x2	3x3	3x3	4x4	4x4
Ø Q [mm]	25	34	44	53	62
R	M3x0.5x1.5	M4x0.7x1.5	M4x0.7x6	M5x0.8x10	M5x0.8x10
Ø W [mm]	3.4	4.5	4.5	5.5	5.5
Model	A	A	B	B	B

Continued on the next page →

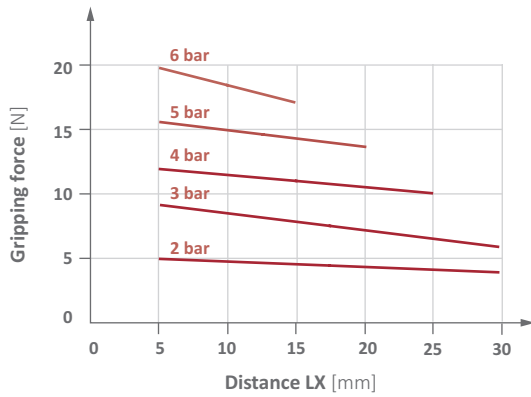


# Grippers | Parallel grippers

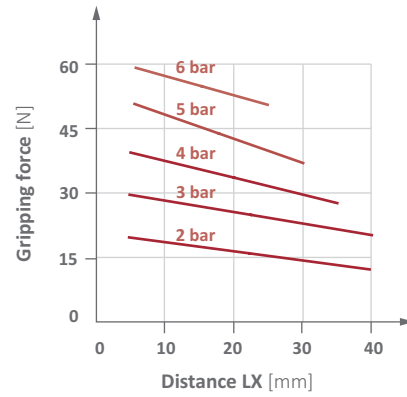
3-finger grippers for large strokes

## Diagrams

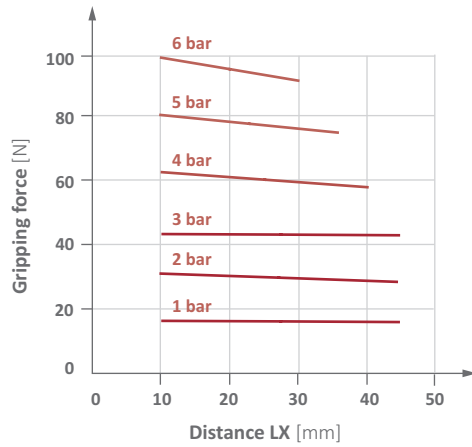
> Gripping force piston diameter 16 mm



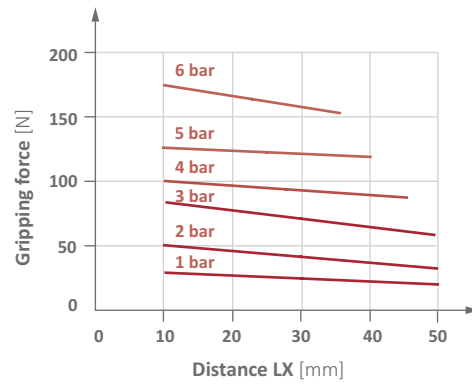
> Gripping force piston diameter 25 mm



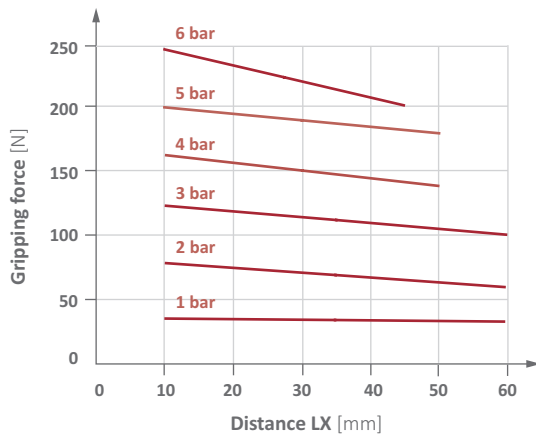
> Gripping force piston diameter 32 mm



> Gripping force piston diameter 40 mm



> Gripping force piston diameter 50 mm



\* = LX distance to gripping point



## 2-finger angular grippers 40°



## Product notes

- > Grippers for undercuts, clamping, mounting and pick & place applications
- > Double-acting: Inside/outside gripping and short duty cycles
- > Body and jaws made of high-strength aluminum alloy
- > Sensors for monitoring gripper action via piston position optionally available
- > Principle of operation: double-acting
- > Medium: filtered and oiled/unoiled air
- > PNP and NPN sensors:
  - T-slot (straight) for sensors: GR04.203P, GR04.203N

## Technical data

Item no.	GR04.123-10	GR04.123-16	GR04.123-20	GR04.123-25	GR04.123-32
Pressure range [bar (psi)]	1.5 - 7 (21.8 - 101.5)	1.5 - 7 (21.8 - 101.5)	1.5 - 7 (21.8 - 101.5)	1.5 - 7 (21.8 - 101.5)	1.5 - 7 (21.8 - 101.5)
Piston diameter [mm]	10	16	20	25	32
Angle stroke open [°]	-10	-10	-10	-10	-10
Angle stroke closed [°]	30	30	30	30	30
Max. closing torque at 6 bar [Ncm]	11	47	100	199	358
Max. opening torque at 6 bar [Ncm]	15	65	135	252	476
Max. operating frequency [1/min]	80	80	80	80	80
Operating temperature [°C (°F)]	0 - 60 (32 - 140)	0 - 60 (32 - 140)	0 - 60 (32 - 140)	0 - 60 (32 - 140)	0 - 60 (32 - 140)
Weight [g]	100	120	200	330	560
Accessories	Sensor: GR04.203N (p.404) Sensor: GR04.203P (p.404) Connector cable: 20.503 (p.410) Mounting bracket: GR06.050 (p.240) Base jaw: GR04.123-10-1 (p.236)	Sensor: GR04.203N (p.404) Sensor: GR04.203P (p.404) Connector cable: 20.503 (p.410) Mounting bracket: GR06.051 (p.240) Base jaw: GR04.123-16-1 (p.236)	Sensor: GR04.203N (p.404) Sensor: GR04.203P (p.404) Connector cable: 20.503 (p.410) Mounting bracket: GR06.052 (p.240) Base jaw: GR04.123-20-1 (p.236)	Sensor: GR04.203N (p.404) Sensor: GR04.203P (p.404) Connector cable: 20.503 (p.410) Mounting bracket: GR06.053 (p.240) Base jaw: GR04.123-25-1 (p.236)	Sensor: GR04.203N (p.404) Sensor: GR04.203P (p.404) Connector cable: 20.503 (p.410) Mounting bracket: GR06.054 (p.240) Base jaw: GR04.123-32-1 (p.236)

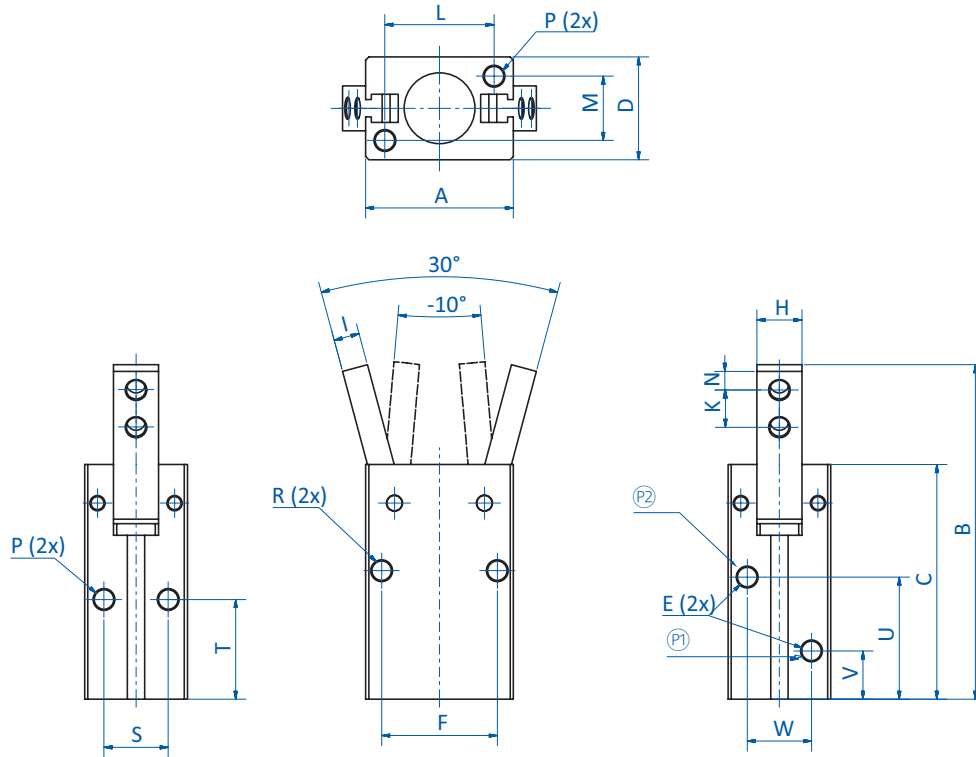
Continued on the next page →



# Grippers | Angular grippers

2-finger angular grippers 40°

## Dimensions



Ⓢ = Sensor slot for GR04.203   Ⓟ = Compressed air supply (open)   Ⓠ = Compressed air supply (close)

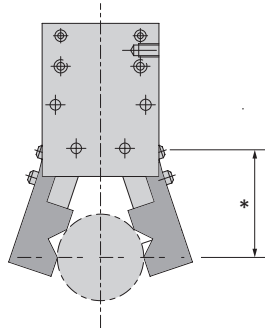
Item no.	GR04.123-10	GR04.123-16	GR04.123-20	GR04.123-25	GR04.123-32
A [mm]	23	34	45	52	60
B [mm]	52	64	75	89	100
C [mm]	36.5	45.5	53	61	68
D [mm]	16	22	26	32	40
E	M3	M5	M5	M5	M5
F [mm]	18	24	30	36	44
H [mm]	7	9	12	14	18
I [mm]	4	6	7	9	10
K [mm]	6	8	10	12	14
L [mm]	17	26	35	40	46
M [mm]	10	14	16	20	26
N [mm]	3	3	4	5	6
P	M3	M4	M5	M6	M6
R	M3	M4	M5	M6	M6
S [mm]	10	14	16	20	26
T [mm]	15.5	21	22	24.5	30
U [mm]	19	25.5	28	31	33.5
V [mm]	7.5	7.5	8	9	10
W [mm]	10	12	13	18	24



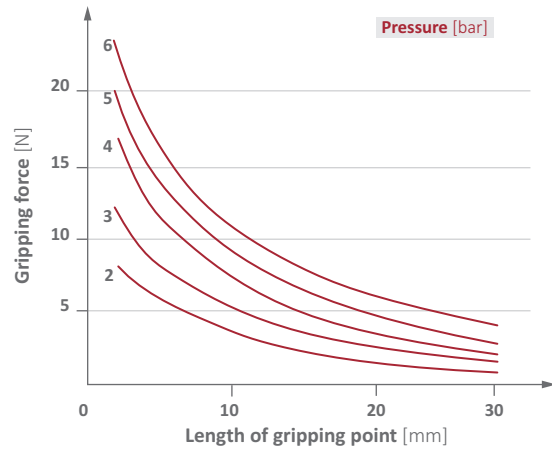


## Diagrams

> Length of gripping point (\* see diagrams)



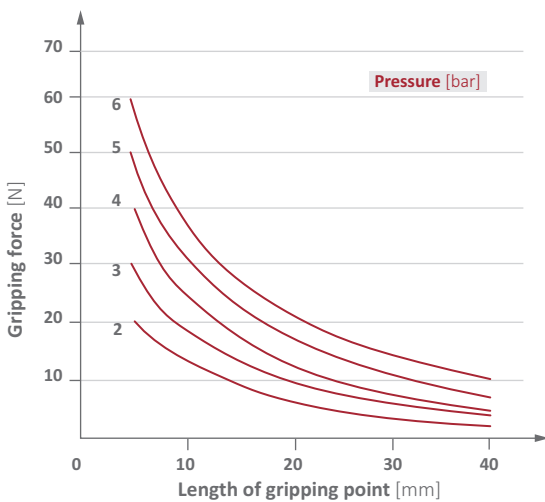
> Gripping force as a function of length of gripping point and feed pressure



GR04.123-10 | GR04.123-16 | GR04.123-20 | GR04.123-25 | GR04.123-32

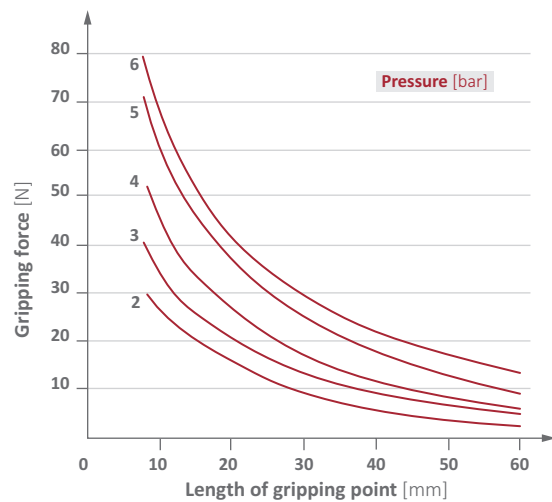
GR04.123-10

> Gripping force as a function of length of gripping point and feed pressure



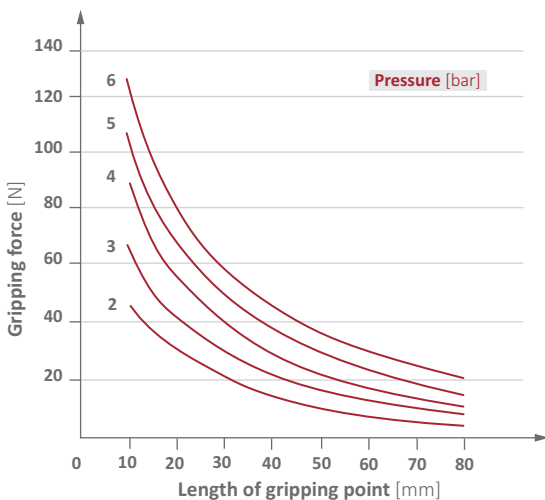
GR04.123-16

> Gripping force as a function of length of gripping point and feed pressure



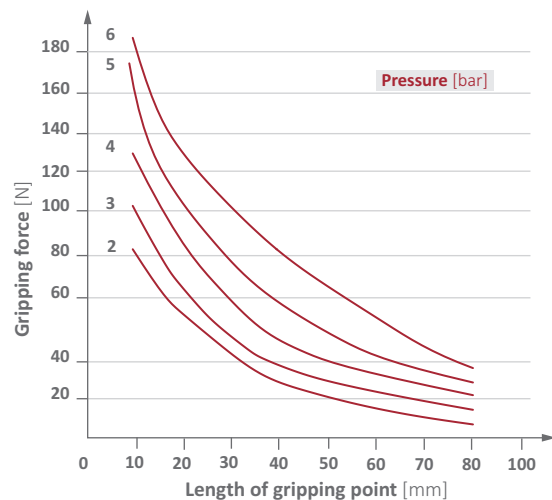
GR04.123-20

> Gripping force as a function of length of gripping point and feed pressure



GR04.123-25

> Gripping force as a function of length of gripping point and feed pressure



GR04.123-32



# Grippers | Angular grippers

Base jaws for angular grippers

## Base jaws for angular grippers



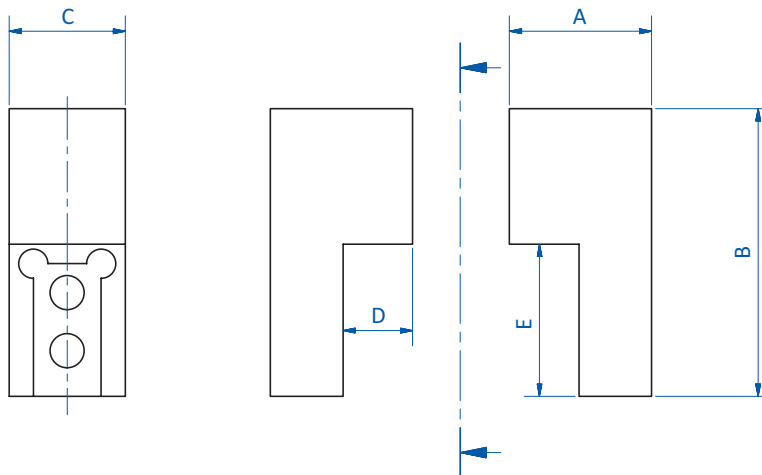
### Product notes

- > Aluminum blanks for customized jaws
- > Screws included in scope of delivery

### Technical data

Item no.	Suitable for angular grippers	Weight [g]
GR04.123-10-1	GR04.123-10	18
GR04.123-16-1	GR04.123-16	30
GR04.123-20-1	GR04.123-20	38
GR04.123-25-1	GR04.123-25	56
GR04.123-32-1	GR04.123-32	150

### Dimensions



Item no.	A [mm]	B [mm]	C [mm]	D [mm]	E [mm]
GR04.123-10-1	14.7	29.7	12	7.2	15.7
GR04.123-16-1	20.5	31.5	14	13	17.5
GR04.123-20-1	24	36	17	16.5	21
GR04.123-25-1	29.8	40	19	20.8	26
GR04.123-32-1	33	44	23	24	29



2-finger angular gripper 180° – self-centering



Product notes

- > High gripping force with high gripping precision
- > Gripping of objects located behind large undercuts; clamping and assembly of parts
- > Suitable for dusty environments due to dust protection seals
- > Double-acting, short duty cycles
- > Body and jaws made of high-strength aluminum alloy
- > Versatile use with customized gripper jaws
- > Optional parts monitoring by detection of piston position
- > Principle of operation: double-acting
- > Medium: filtered and oiled/unoiled air
  
- > PNP and NPN sensors:
  - C-slot (90° angle): GR04.202P, GR04.202N
  - C-slot (straight, short design): GR04.280P, GR04.280N
- > Extension cable for sensors:
  - 20.503: 3-pole M8, length 2,500 mm, open wire
  - 20.570: 3-pole M8, length 1,500 mm, end with plug 3-pole M8

Technical data

Item no.	GR04.121-10	GR04.121-16	GR04.121-20	GR04.121-25
Pressure range [bar (psi)]	1 - 6 (14.5 - 87)	1 - 6 (14.5 - 87)	1 - 6 (14.5 - 87)	1 - 6 (14.5 - 87)
Effective gripping torque [Nm]	0.16	0.54	1.1	2.28
Piston diameter [mm]	10	16	20	25
Angle stroke open [°]	180 - 182	180 - 182	180 - 182	180 - 182
Angle stroke closed [°]	-3	-3	-3	-3
Repeat accuracy [mm]	+/- 0.2	+/- 0.2	+/- 0.2	+/- 0.2
Max. operating frequency [1/min]	60	60	60	60
Operating temperature [°C (°F)]	-10 - 60 (14 - 140)	-10 - 60 (14 - 140)	-10 - 60 (14 - 140)	-10 - 60 (14 - 140)
Weight [g]	80	150	320	600
Accessories	Sensor: GR04.202N (p.404) Sensor: GR04.202P (p.404) Sensor: GR04.280N (p.404) Sensor: GR04.280P (p.404) Connector cable: 20.503 (p.410) Connector cable: 20.570 (p.410)	Sensor: GR04.202N (p.404) Sensor: GR04.202P (p.404) Sensor: GR04.280N (p.404) Sensor: GR04.280P (p.404) Connector cable: 20.503 (p.410) Connector cable: 20.570 (p.410)	Sensor: GR04.202N (p.404) Sensor: GR04.202P (p.404) Sensor: GR04.280N (p.404) Sensor: GR04.280P (p.404) Connector cable: 20.503 (p.410) Connector cable: 20.570 (p.410)	Sensor: GR04.202N (p.404) Sensor: GR04.202P (p.404) Sensor: GR04.280N (p.404) Sensor: GR04.280P (p.404) Connector cable: 20.503 (p.410) Connector cable: 20.570 (p.410)

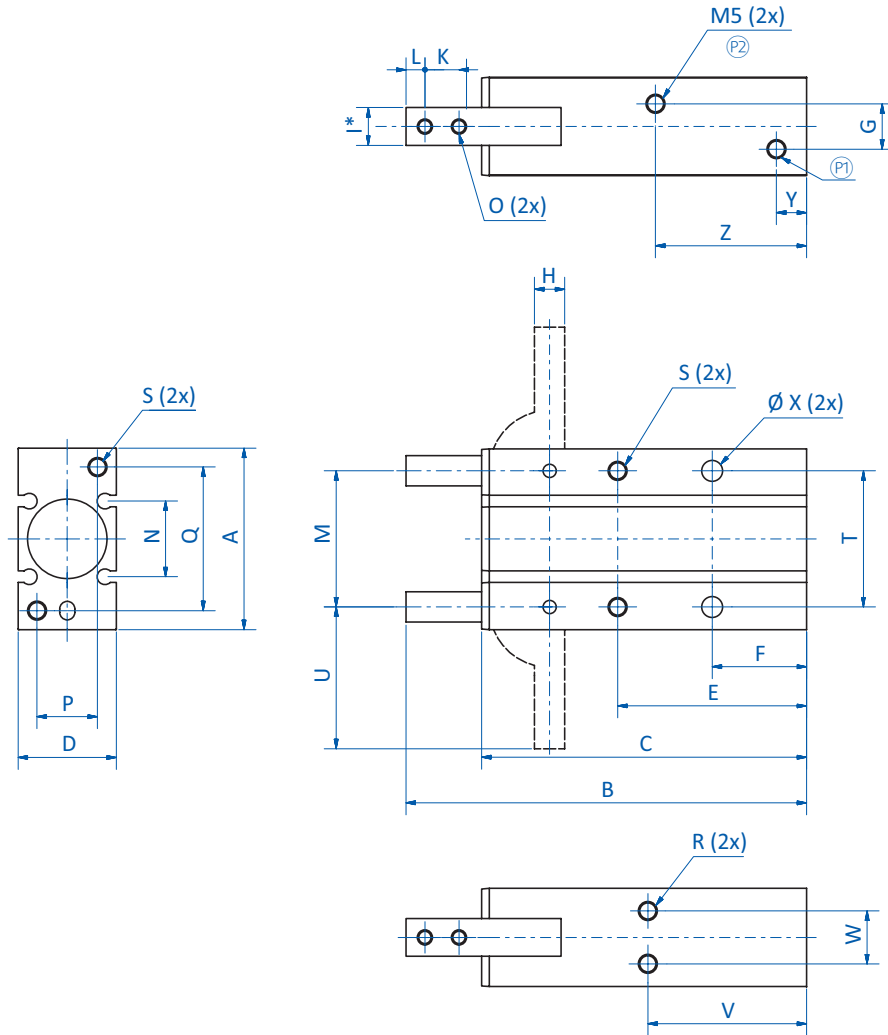
Continued on the next page →



# Grippers | Angular grippers

2-finger angular gripper 180° – self-centering

## Dimensions



\* = Tolerance: -0.005 mm to -0.025 mm P1 = Compressed air supply (open) P2 = Compressed air supply (close)

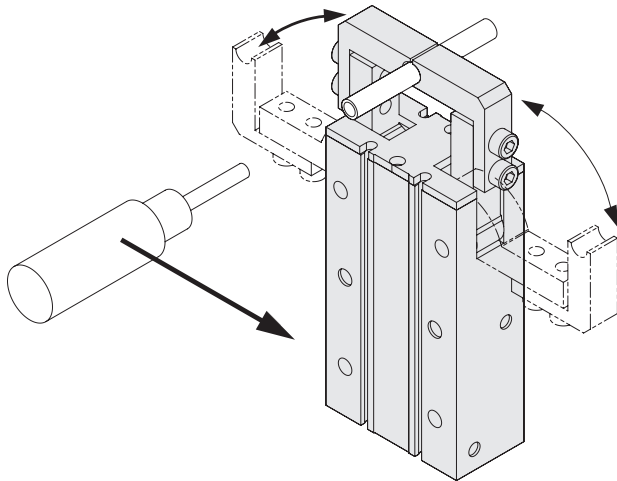
Item no.	GR04.121-10	GR04.121-16	GR04.121-20	GR04.121-25
A [mm]	30	38	48	58
B [mm]	71	84	106	131
C [mm]	58	69	86	107
D [mm]	15	20	26	30
E [mm]	35	41	50	60
F [mm]	18	20	25	30
G [mm]	3	8	12	14
H [mm]	4	5	8	10
I [mm]	6	8	10	12
K [mm]	6	7	9	12
L [mm]	3	4	5	6
M [mm]	22	28	36	45
N [mm]	13	18	20	24
O	M3	M3	M4	M5
P [mm]	9	12	16	18
Q [mm]	24	30	38	46



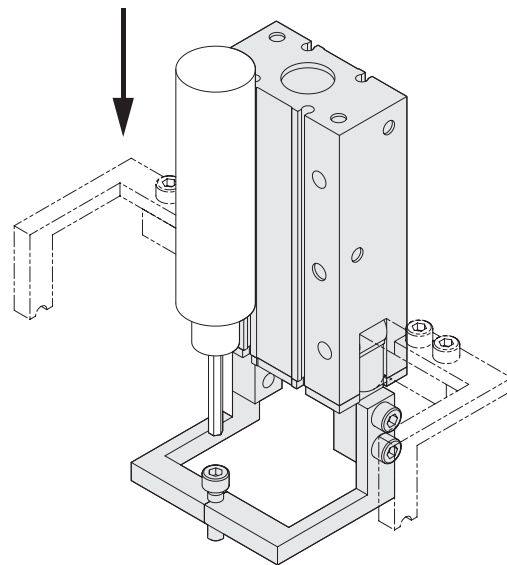
Item no.	GR04.121-10	GR04.121-16	GR04.121-20	GR04.121-25
R	M3x4	M4x5	M5x8	M6x10
S	M3x6	M4x8	M5x10	M6x12
T [mm]	24	30	36	42
U [mm]	23.5	28.5	37	45
V [mm]	30	33	42	50
W [mm]	9	12	14	16
Ø X [mm]	3.4	4.5	5.5	6.6
Y [mm]	7	7	8	8
Z [mm]	30	32	40	50

## Application examples

> Clamping



> Assembly

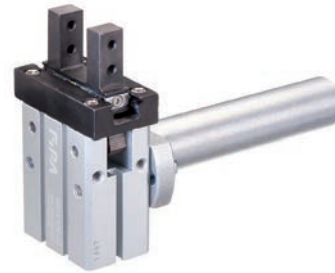




# Grippers | Angular grippers

Mounting brackets for parallel and angular grippers

## Mounting brackets for parallel and angular grippers



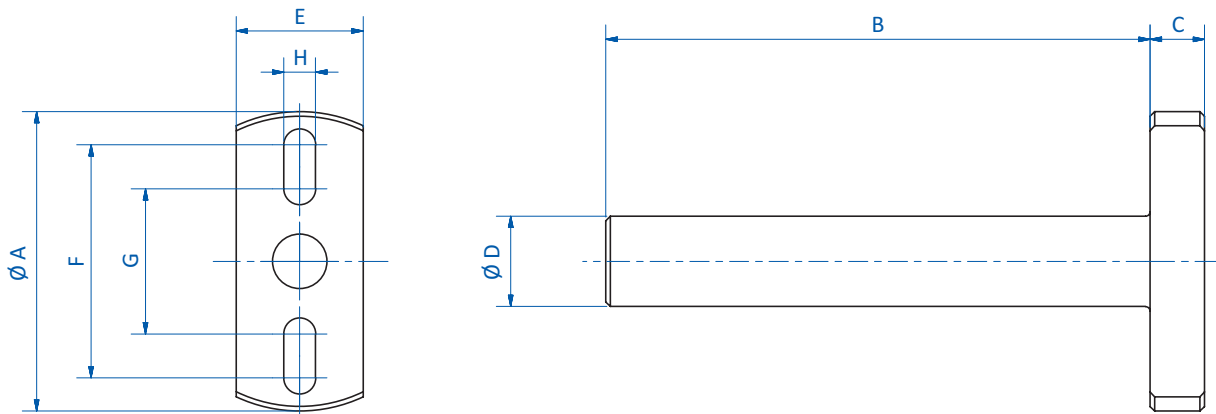
### Product notes

- > Brackets for mounting parallel or angular grippers to extrusions
- > Compatible with many brands of grippers due to slotted mounting holes

### Technical data

Item no.	Suitable for	Weight [g]
GR06.050	GR04.122-10, GR04.123-10	14
GR06.051	GR04.122-16, GR04.123-16	16
GR06.052	GR04.122-20, GR04.123-20	52
GR06.053	GR04.122-25, GR04.123-25	56
GR06.054	GR04.122-32, GR04.123-32	110
GR06.055	GR04.122-32	152

### Dimensions



Item no.	Ø A [mm]	B [mm]	C [mm]	Ø D [mm]	E [mm]	F [mm]	G [mm]	H [mm]
GR06.050	33	60	6	10	14	25.7	16	3.5
GR06.051	39	60	6	14	18	32.5	22	4.5
GR06.052	49	90	8	20	24	40	30	5.5
GR06.053	59	90	8	20	24	50	32	6.5
GR06.054	64	120	8	30	32	53	44	6.5
GR06.055	79	120	10	30	40	64.5	56	8.5



### Mounting brackets for 3-finger grippers



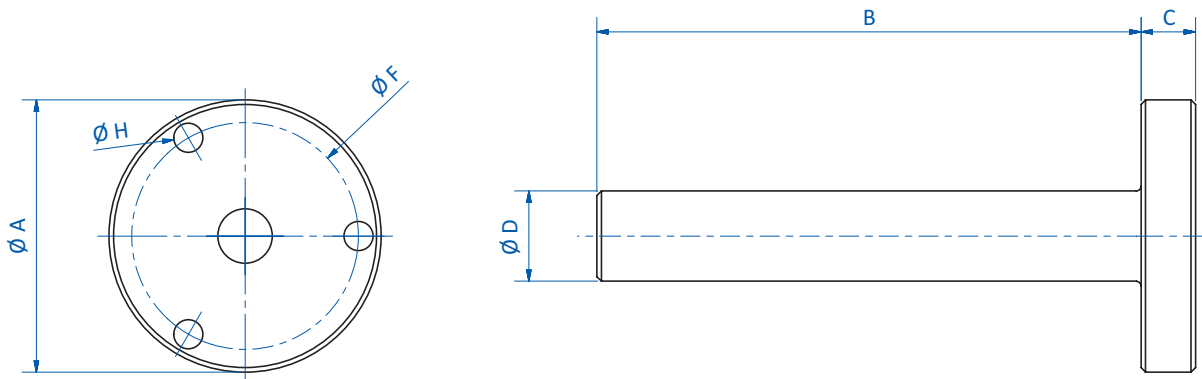
#### Product notes

> Brackets for mounting 3-finger parallel grippers to extrusions

#### Technical data

Item no.	Suitable for	Weight [g]
GR06.125-16	GR04.125-16L	18
GR06.125-25	GR04.125-25L	34
GR06.125-32	GR04.125-32L	74
GR06.125-40	GR04.125-40L	102
GR06.125-50	GR04.125-50L	232
GR06.125-60	GR04.125-60L	216
GR06.125-80	GR04.125-80L	388

#### Dimensions



Item no.	Ø A [mm]	B [mm]	C [mm]	Ø D [mm]	Ø F [mm]	Ø H [mm]
GR06.125-16	30	60	6	10	25	3.2
GR06.125-25	42	90	6	14	34	4.2
GR06.125-32	52	90	8	20	44	4.2
GR06.125-40	62	120	8	20	53	5.3
GR06.125-50	70	150	8	30	62	5.3
GR06.125-60	86	150	8	30	76	6.3
GR06.125-80	106	150	10	30	95	6.3



# Grippers | Expansion grippers

ID grippers for diameters from 3 - 10 mm

## ID grippers for diameters from 3 - 10 mm



FOOD GRADE GRIPPER HEADS



### Product notes

- > Gripping within small recesses
- > Expansion grippers for small or lightweight parts
- > Compact and lightweight design
- > Food grade gripper heads made of polyamide (FDA approved material)
- > Body made of high-strength, anodized aluminum
- > Gripper heads can be easily exchanged
- > Optional monitoring of piston position
- > ID grippers from Series GR04.F02-65 come with O-ring (food grade silicone) for improved holding force
- > PNP and NPN sensors:
  - C-slot (straight): GR04.198, GR04.198NPN

### Technical data

Item no.	For parts having an inner $\phi$ from/to [mm]	Optimal operating pressure [bar (psi)]	Clamping $\phi$ [mm]	Weight [g]	Accessories
GR04.F01-35	3.5 - 3.9	6 (87)	14	21	Extension tube: GR06.021A (p.90) Sensor mounting bracket: GR04.038S (p.204) Sensor: GR04.198 (p.404) Sensor: GR04.198/NPN (p.404) ID gripper head – spare part: GR04.F01-A35
GR04.F01-40	4 - 4.4	6 (87)	14	21	Extension tube: GR06.021A (p.90) Sensor mounting bracket: GR04.038S (p.204) Sensor: GR04.198 (p.404) Sensor: GR04.198/NPN (p.404) ID gripper head – spare part: GR04.F01-A40
GR04.F01-45	4.5 - 4.9	6 (87)	14	21	Extension tube: GR06.021A (p.90) Sensor mounting bracket: GR04.038S (p.204) Sensor: GR04.198 (p.404) Sensor: GR04.198/NPN (p.404) ID gripper head – spare part: GR04.F01-A45
GR04.F02-50	5 - 5.4	6 (87)	14	21	Extension tube: GR06.021A (p.90) Sensor mounting bracket: GR04.038S (p.204) Sensor: GR04.198 (p.404) Sensor: GR04.198/NPN (p.404) ID gripper head – spare part: GR04.F02-A50
GR04.F02-55	5.5 - 5.9	6 (87)	14	21	Extension tube: GR06.021A (p.90) Sensor mounting bracket: GR04.038S (p.204) Sensor: GR04.198 (p.404) Sensor: GR04.198/NPN (p.404) ID gripper head – spare part: GR04.F02-A55
GR04.F02-60	6 - 6.4	6 (87)	14	21	Extension tube: GR06.021A (p.90) Sensor mounting bracket: GR04.038S (p.204) Sensor: GR04.198 (p.404) Sensor: GR04.198/NPN (p.404) ID gripper head – spare part: GR04.F02-A60
GR04.F02-65	6.5 - 6.9	6 (87)	14	21	Extension tube: GR06.021A (p.90) Sensor mounting bracket: GR04.038S (p.204) Sensor: GR04.198 (p.404) Sensor: GR04.198/NPN (p.404) ID gripper head – spare part: GR04.F02-A65

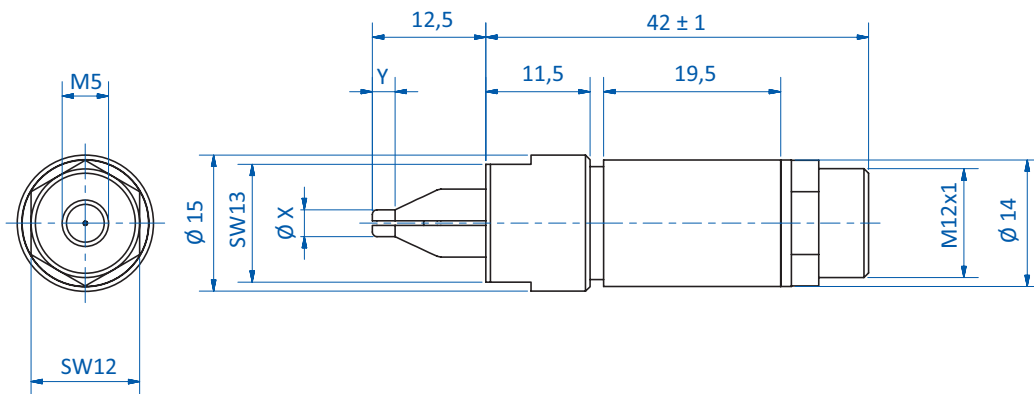




## Technical data

Item no.	For parts having an inner $\varnothing$ from/to [mm]	Optimal operating pressure [bar (psi)]	Clamping $\varnothing$ [mm]	Weight [g]	Accessories
<b>GR04.F02-70</b>	7 - 7.4	6 (87)	14	21	Extension tube: GR06.021A (p.90) Sensor mounting bracket: GR04.038S (p.204) Sensor: GR04.198 (p.404) Sensor: GR04.198/NPN (p.404) ID gripper head – spare part: GR04.F02-A70
<b>GR04.F02-75</b>	7.5 - 7.9	6 (87)	14	21	Extension tube: GR06.021A (p.90) Sensor mounting bracket: GR04.038S (p.204) Sensor: GR04.198 (p.404) Sensor: GR04.198/NPN (p.404) ID gripper head – spare part: GR04.F02-A75
<b>GR04.F02-80</b>	8 - 8.4	6 (87)	14	21	Extension tube: GR06.021A (p.90) Sensor mounting bracket: GR04.038S (p.204) Sensor: GR04.198 (p.404) Sensor: GR04.198/NPN (p.404) ID gripper head – spare part: GR04.F02-A80
<b>GR04.F02-85</b>	8.5 - 8.9	6 (87)	14	21	Extension tube: GR06.021A (p.90) Sensor mounting bracket: GR04.038S (p.204) Sensor: GR04.198 (p.404) Sensor: GR04.198/NPN (p.404) ID gripper head – spare part: GR04.F02-A85
<b>GR04.F02-90</b>	9 - 9.4	6 (87)	14	21	Extension tube: GR06.021A (p.90) Sensor mounting bracket: GR04.038S (p.204) Sensor: GR04.198 (p.404) Sensor: GR04.198/NPN (p.404) ID gripper head – spare part: GR04.F02-A90
<b>GR04.F02-95</b>	9.5 - 9.9	6 (87)	14	21	Extension tube: GR06.021A (p.90) Sensor mounting bracket: GR04.038S (p.204) Sensor: GR04.198 (p.404) Sensor: GR04.198/NPN (p.404) ID gripper head – spare part: GR04.F02-A95
<b>GR04.F02-100</b>	10 - 10.4	6 (87)	14	21	Extension tube: GR06.021A (p.90) Sensor mounting bracket: GR04.038S (p.204) Sensor: GR04.198 (p.404) Sensor: GR04.198/NPN (p.404) ID gripper head – spare part: GR04.F02-A100

## Dimensions



GR04.F01-35 | GR04.F01-40 | GR04.F01-45 | GR04.F02-50 | GR04.F02-55 | GR04.F02-60

\* = O-ring ID gripper from Series GR04.F02-65

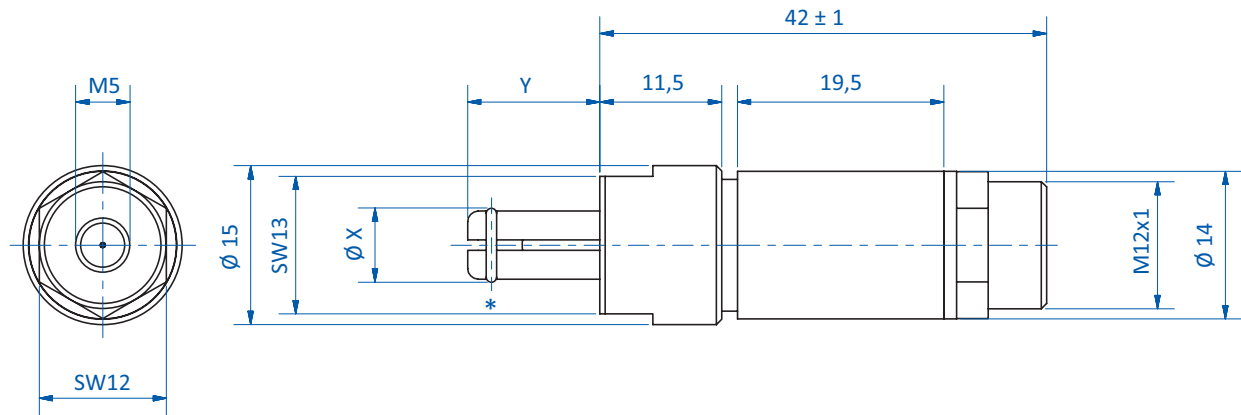
Continued on the next page →



# Grippers | Expansion grippers

ID grippers for diameters from 3 - 10 mm

## Dimensions



GR04.F02-65 | GR04.F02-70 | GR04.F02-75 | GR04.F02-80 | GR04.F02-85 | GR04.F02-90 | GR04.F02-95 | GR04.F02-100

\* = O-ring ID gripper from Series GR04.F02-65

Item no.	X [mm]	Y [mm]
GR04.F01-35	3	2.5
GR04.F01-40	3.5	3.5
GR04.F01-45	4	5
GR04.F02-50	4.5	5
GR04.F02-55	5	5
GR04.F02-60	5.5	5
GR04.F02-65	6.5	5.5
GR04.F02-70	7	12.5
GR04.F02-75	7.5	12.5
GR04.F02-80	8	12.5
GR04.F02-85	8.5	12.5
GR04.F02-90	9	12.5
GR04.F02-95	9.5	12.5
GR04.F02-100	10	12.5



## ID grippers for diameters 8 - 81 mm



### Product notes

- > Single-acting grippers with high holding force
- > Gripper bellow expanded by pneumatically driven piston, clamps workpiece at its inner surface
- > Ventilation of gripper resets piston and bellow and releases workpiece
- > Piston movement adjustable to position of gripped object
- > Holding force controlled by feed pressure
- > Robust body, made of anodized, high-strength aluminum alloy
- > Elastomer bellows available in EPDM or silicone
- > Easy and non-destructive exchange of bellows
- > Piston movement adjustable to position of gripped object, bellow is not inflated, no risk of bursting

Downward piston movement (workpiece pushed):

- > Clamp the black part of gripper body or using optional extension tubes or threaded mounting brackets

Upward piston movement (workpiece drawn):

- > Clamp the red part of gripper body

### Technical data

Item no.	Elastomer	For parts having an inner $\varnothing$ from/to [mm]	Optimal operating pressure [bar (psi)]	Weight [g]	Accessories
<b>GR04.F208</b>	EPDM	8 - 10	8 (116)	25	Extension tube: GR06.034 (p.249), EPDM elastomer: GR04.208-1, Mounting bracket: GR02.280 (p.250), Mounting bracket: GR02.227 (p.251)
<b>GR04.F208-SI</b>	Silicone	8 - 10	8 (116)	25	Extension tube: GR06.034 (p.249), Silicone elastomer: GR04.208-2, Mounting bracket: GR02.280 (p.250), Mounting bracket: GR02.227 (p.251)
<b>GR04.F210</b>	EPDM	10.5 - 13	8 (116)	26	Extension tube: GR06.034 (p.249), EPDM elastomer: GR04.210-1, Mounting bracket: GR02.280 (p.250), Mounting bracket: GR02.227 (p.251)
<b>GR04.F210-SI</b>	Silicone	10.5 - 13	8 (116)	26	Extension tube: GR06.034 (p.249), Silicone elastomer: GR04.210-2, Mounting bracket: GR02.280 (p.250), Mounting bracket: GR02.227 (p.251)
<b>GR04.F212</b>	EPDM	13 - 17	8 (116)	28	Extension tube: GR06.034 (p.249), EPDM elastomer: GR04.212-1, Mounting bracket: GR02.280 (p.250), Mounting bracket: GR02.227 (p.251)
<b>GR04.F212-SI</b>	Silicone	13 - 17	8 (116)	28	Extension tube: GR06.034 (p.249), Silicone elastomer: GR04.212-2, Mounting bracket: GR02.280 (p.250), Mounting bracket: GR02.227 (p.251)
<b>GR04.F214</b>	EPDM	15 - 19	8 (116)	31	Extension tube: GR06.034 (p.249), EPDM elastomer: GR04.214-1, Mounting bracket: GR02.280 (p.250), Mounting bracket: GR02.227 (p.251)
<b>GR04.F214-SI</b>	Silicone	15 - 19	8 (116)	31	Extension tube: GR06.034 (p.249), Silicone elastomer: GR04.214-2, Mounting bracket: GR02.280 (p.250), Mounting bracket: GR02.227 (p.251)
<b>GR04.F218</b>	EPDM	19 - 23.5	8 (116)	53	Extension tube: GR06.034 (p.249), EPDM elastomer: GR04.218-1, Mounting bracket: GR02.281 (p.250), Mounting bracket: GR02.227 (p.251)
<b>GR04.F218-SI</b>	Silicone	19 - 23.5	8 (116)	53	Extension tube: GR06.034 (p.249), Silicone elastomer: GR04.218-2, Mounting bracket: GR02.281 (p.250), Mounting bracket: GR02.227 (p.251)
<b>GR04.F222</b>	EPDM	23.5 - 31	8 (116)	83	Extension tube: GR06.035 (p.249), EPDM elastomer: GR04.222-1, Mounting bracket: GR02.282 (p.250), Mounting bracket: GR02.228 (p.251)
<b>GR04.F222-SI</b>	Silicone	23.5 - 31	8 (116)	83	Extension tube: GR06.035 (p.249), Silicone elastomer: GR04.222-2, Mounting bracket: GR02.282 (p.250), Mounting bracket: GR02.228 (p.251)
<b>GR04.F227</b>	EPDM	29 - 36.5	8 (116)	117	Extension tube: GR06.035 (p.249), EPDM elastomer: GR04.227-1, Mounting bracket: GR02.283 (p.250), Mounting bracket: GR02.228 (p.251)

Continued on the next page →



# Grippers | Expansion grippers

ID grippers for diameters 8 - 81 mm

## Technical data

Item no.	Elastomer	For parts having an inner $\varnothing$ from/to [mm]	Optimal operating pressure [bar (psi)]	Weight [g]	Accessories
<b>GR04.F227-SI</b>	Silicone	29 - 36.5	8 (116)	117	Extension tube: GR06.035 (p.249), Silicone elastomer: GR04.227-2, Mounting bracket: GR02.283 (p.250), Mounting bracket: GR02.228 (p.251)
<b>GR04.F233</b>	EPDM	34 - 44	8 (116)	182	Extension tube: GR06.036 (p.249), EPDM elastomer: GR04.233-1, Mounting bracket: GR02.284 (p.250), Mounting bracket: GR02.229 (p.251)
<b>GR04.F233-SI</b>	Silicone	34 - 44	8 (116)	182	Extension tube: GR06.036 (p.249), Silicone elastomer: GR04.233-2, Mounting bracket: GR02.284 (p.250), Mounting bracket: GR02.229 (p.251)
<b>GR04.F241</b>	EPDM	41 - 58	8 (116)	364	Extension tube: GR06.036 (p.249), EPDM elastomer: GR04.241-1, Mounting bracket: GR02.285 (p.250), Mounting bracket: GR02.229 (p.251)
<b>GR04.F241-SI</b>	Silicone	41 - 58	8 (116)	364	Extension tube: GR06.036 (p.249), Silicone elastomer: GR04.241-2, Mounting bracket: GR02.285 (p.250), Mounting bracket: GR02.229 (p.251)
<b>GR04.F251</b>	EPDM	52 - 64	8 (116)	611	Extension tube: GR06.037 (p.249), EPDM elastomer: GR04.251-1, Mounting bracket: GR02.286 (p.250), Mounting bracket: GR02.232 (p.86)
<b>GR04.F251-SI</b>	Silicone	52 - 64	8 (116)	611	Extension tube: GR06.037 (p.249), Silicone elastomer: GR04.251-2, Mounting bracket: GR02.286 (p.250), Mounting bracket: GR02.232 (p.86)
<b>GR04.F263</b>	EPDM	63 - 81	8 (116)	1,051	EPDM elastomer: GR04.263-1, Mounting bracket: GR02.287 (p.250), Mounting bracket: GR02.233 (p.251)
<b>GR04.F263-SI</b>	Silicone	63 - 81	8 (116)	1,051	Silicone elastomer: GR04.263-2, Mounting bracket: GR02.287 (p.250), Mounting bracket: GR02.233 (p.251)

## Elastomer replacement

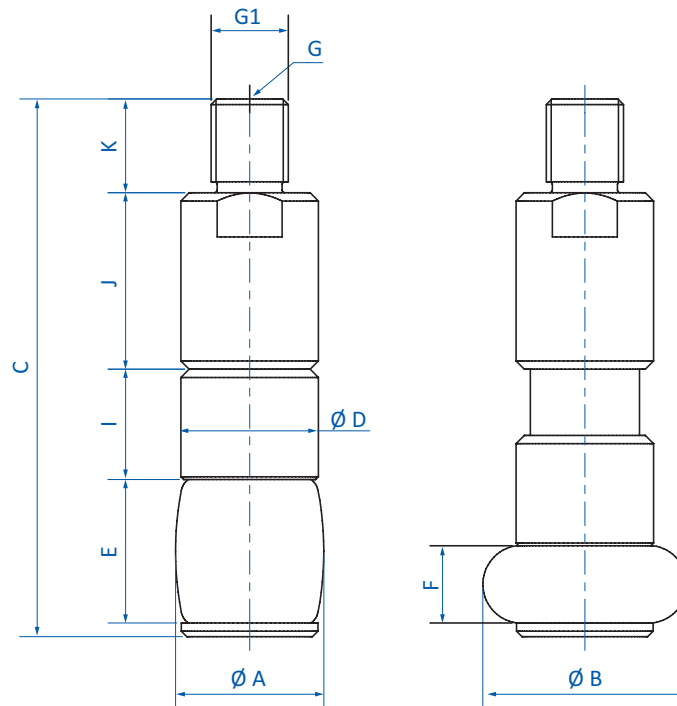
EPDM [included in delivery]  
Color black

- > Non-marking
- > Heat-resistant to 130 °C (266 °F)

Silicone  
Color red

- > Very long service life
- > Heat-resistant to 200 °C (392 °F)

## Dimensions

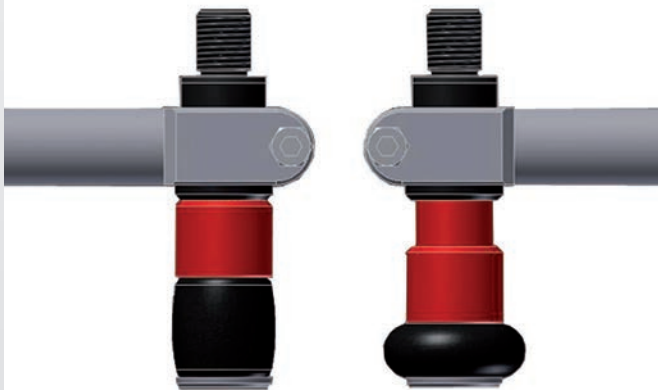




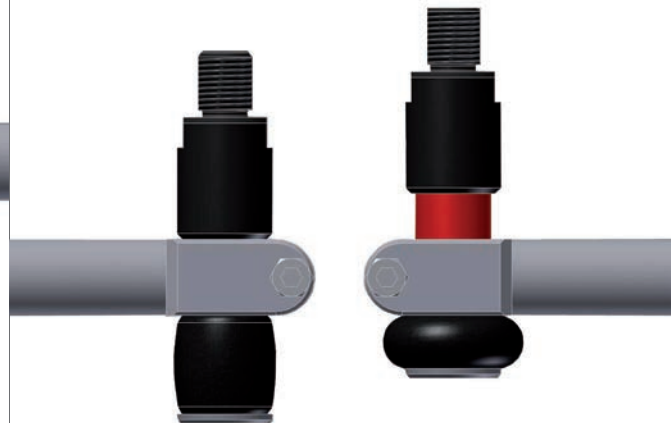
Item no.	G	G1	Ø A [mm]	Ø B [mm]	C [mm]	Ø D [mm]	E [mm]	F [mm]	I [mm]	J [mm]	K [mm]
GR04.F208	M5	M12x1.5	8	10	67	16	7	3.5	11	23	15
GR04.F208-SI	M5	M12x1.5	8	10	67	16	7	3.5	11	23	15
GR04.F210	M5	M12x1.5	10.5	13	69	16	8.5	4.5	11	23	15
GR04.F210-SI	M5	M12x1.5	10.5	13	69	16	8.5	4.5	11	23	15
GR04.F212	M5	M12x1.5	13	17	71	16	10.5	5	11	23	15
GR04.F212-SI	M5	M12x1.5	13	17	71	16	10.5	5	11	23	15
GR04.F214	M5	M12x1.5	15	19	73	16	13	6	11	23	15
GR04.F214-SI	M5	M12x1.5	15	19	73	16	13	6	11	23	15
GR04.F218	M5	M12x1.5	19	23.5	78	20	16.5	9	20	23.5	15
GR04.F218-SI	M5	M12x1.5	19	23.5	78	20	16.5	9	20	23.5	15
GR04.F222	M5	M14x1.5	23.5	31	93	23	21	9	20	32	17
GR04.F222-SI	M5	M14x1.5	23.5	31	93	23	21	9	20	32	17
GR04.F227	M5	M14x1.5	29	36.5	98	25	26	14	20	32	17
GR04.F227-SI	M5	M14x1.5	29	36.5	98	25	26	14	20	32	17
GR04.F233	G1/8	M16x1.5	34	44	113	30	33.5	24	20	37.5	19
GR04.F233-SI	G1/8	M16x1.5	34	44	113	30	33.5	24	20	37.5	19
GR04.F241	G1/8	M16x1.5	41	58	138	40	41.5	14	20	54.5	19
GR04.F241-SI	G1/8	M16x1.5	41	58	138	40	41.5	14	20	54.5	19
GR04.F251	G1/8	M20x1.5	52	64	148	50	53	35	30	42	19
GR04.F251-SI	G1/8	M20x1.5	52	64	148	50	53	35	30	42	19
GR04.F263	G1/8	M24x1.5	63	81	176	60	61	36	36	56	19
GR04.F263-SI	G1/8	M24x1.5	63	81	176	60	61	36	36	56	19

## Installation examples

> Clamping the upper part of gripper body enables downward piston movement (workpiece pushed) GR02.280 - GR02.287



> Clamping the lower gripper body enables upward piston movement (workpiece drawn) GR02.280 - GR02.287



Continued on the next page →

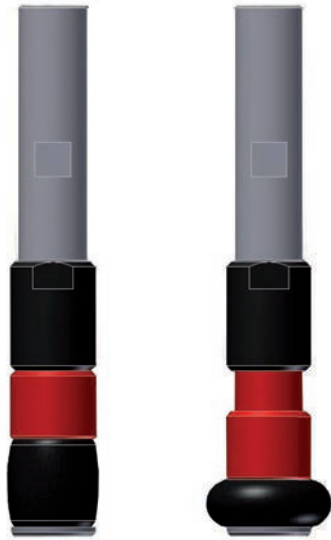


# Grippers | Expansion grippers

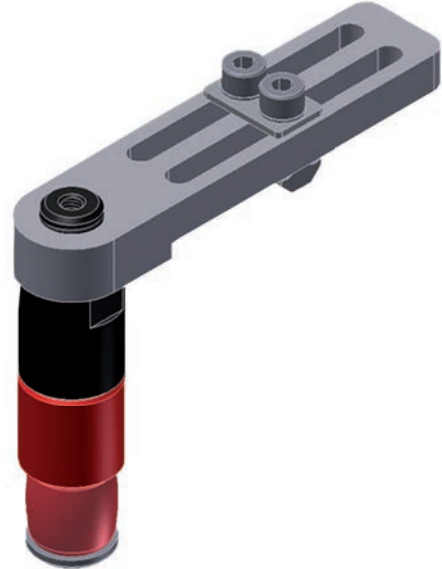
ID grippers for diameters 8 - 81 mm

## Installation examples

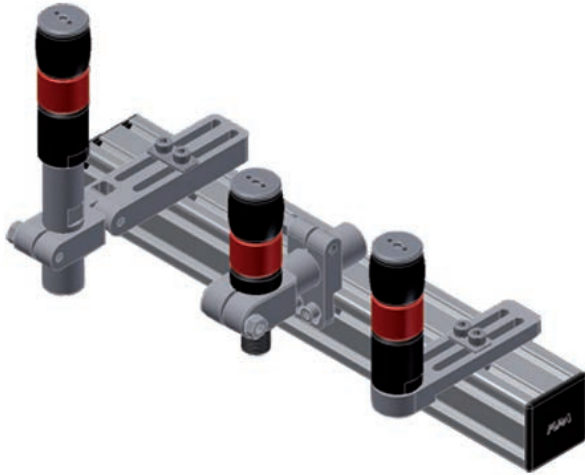
> Clamping to extension tubes enables downward piston movement (workpiece pushed) GR06.034 - GR06.037



> Fitting to threaded mounting brackets enables downward piston movement (workpiece pushed) GR02.227 - 229 and GR02.232 - GR02.233



> Application example





### Extension tubes for ID grippers



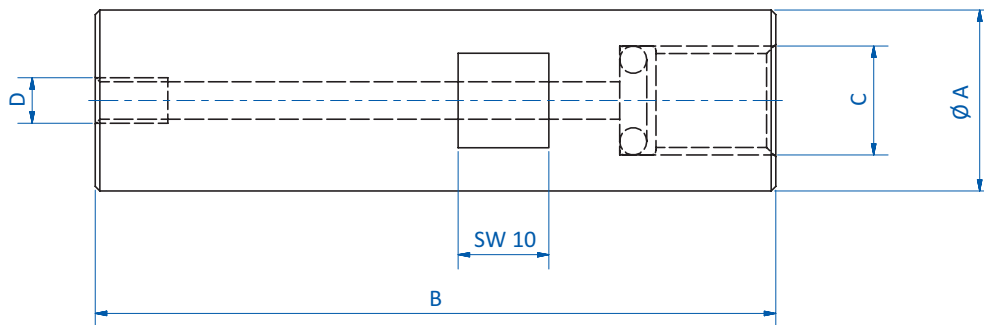
#### Product notes

- > Extension tubes with rear-side compressed air connection and through hole
- > For mounting ID grippers to angle clamps
- > Suitable for ID grippers GR04 with index F
- > Not compatible with ID grippers with index N

#### Technical data

Item no.	Suitable for	Weight [g]
GR06.034	GR04.F208 - GR04.F218	56
GR06.035	GR04.F222 - GR04.F227	54
GR06.036	GR04.F233 - GR04.F241	45
GR06.037	GR04.F251	118

#### Dimensions



Item no.	Ø A [mm]	B [mm]	C	D
GR06.034	20	75	M12x1.5	M5
GR06.035	20	75	M14x1.5	M5
GR06.036	20	75	M16x1.5	G1/8
GR06.037	30	75	M20x1.5	G1/8



# Grippers | Expansion grippers

Mounting brackets for ID grippers

## Mounting brackets for ID grippers



### Product notes

- > Mounting brackets for variable angle installation of ID grippers
- > Clamping grippers to upper part (red) enables upward movement, workpiece is drawn
- > Clamping grippers to bottom part (black) or clamping to extension tube enables downward movement, workpiece is pushed
- > Suitable for ID grippers GR04 with index F

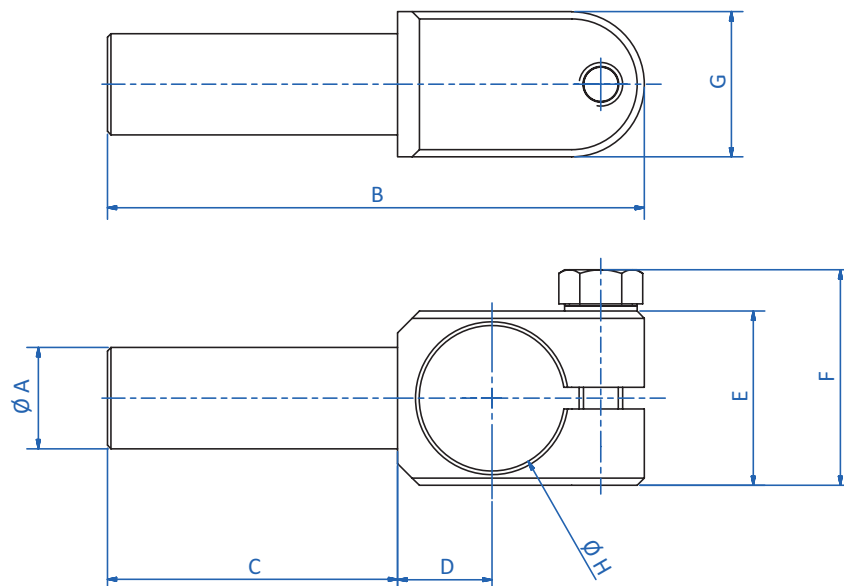
### Technical data

Item no.	Suitable for expansion grippers	Weight [g]
GR02.280	GR04.F208, GR04.F212, GR04.F214	18
GR02.281	GR04.F218	36
GR02.282	GR04.F222	40
GR02.283	GR04.F227	50
GR02.284	GR04.F233	57
GR02.285	GR04.F241	68
GR02.286	GR04.F251	145
GR02.287	GR04.F263	172

### Dimensions

$\varnothing A$ [mm]	B [mm]	C [mm]	D [mm]	E [mm]	F [mm]	G [mm]	$\varnothing H$ [mm]
10	60	30	11	20	26	10	16
14	74	40	13	24	30	20	20
14	77	40	14.5	27	33	20	23
20	89	50	15.5	29	35	20	25
20	94	50	18	34	40	20	30
20	104	50	23	44	45	20	40
30	124	60	27	54	50	30	50
30	134	60	32	64	57	30	60

### Dimensions







## Threaded mounting brackets for ID grippers



### Product notes

- > Threaded mounting brackets for installation the grippers on profiles
- > Threaded mounting bracket enables downward movement of piston of ID gripper, workpiece is pushed
- > Suitable for ID grippers GR04 with index F
- > Slot nuts and mounting screws included in scope of delivery

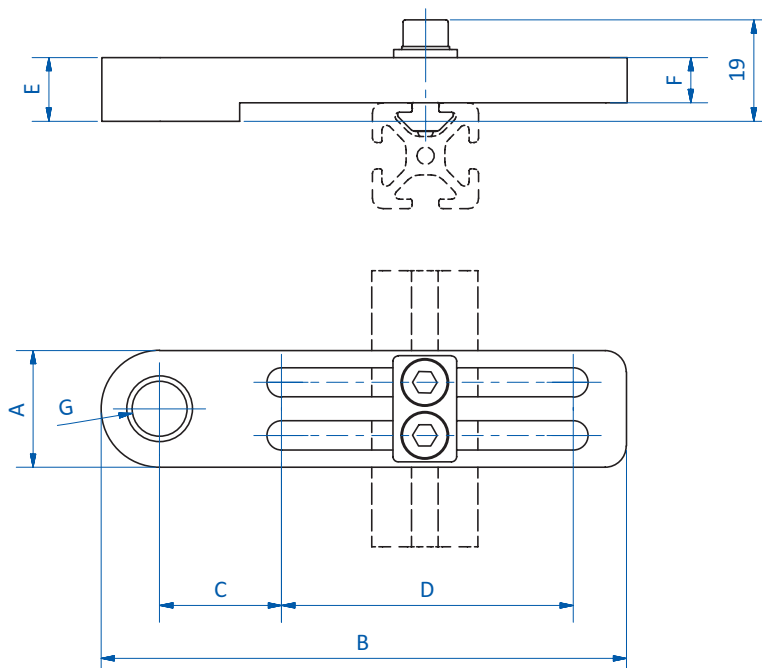
### Technical data

Item no.	Suitable for expansion grippers	Weight [g]
GR02.227	GR04.F208 - GR04.F218	50
GR02.228	GR04.F222 - GR04.F227	53
GR02.229	GR04.F233 - GR04.F241	57
GR02.232	GR04.F251	63
GR02.233	GR04.F263	70

### Dimensions

A [mm]	B [mm]	C [mm]	D [mm]	E [mm]	F [mm]	G
22	99	23	55	12	8.5	M12x1.5
24	99	22	55	12	8.5	M14x1.5
26	99	21	55	12	8.5	M16x1.5
M20x1.5	28	110	12	8.5	65	21
32	110	21	65	12	8.5	M24x1.5

### Dimensions





### Special ID & OD grippers



Special pneumatic ID gripper

CUSTOM GRIPPERS FOR INSERTS

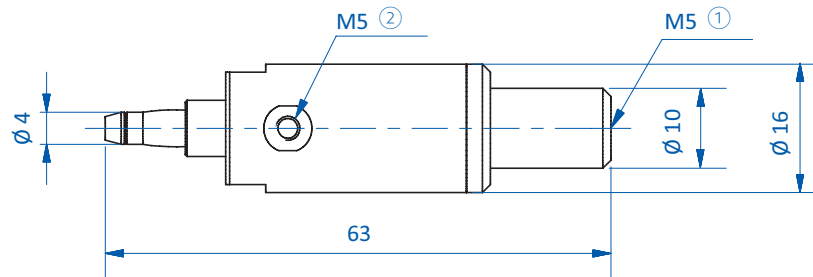


Special vacuum OD gripper

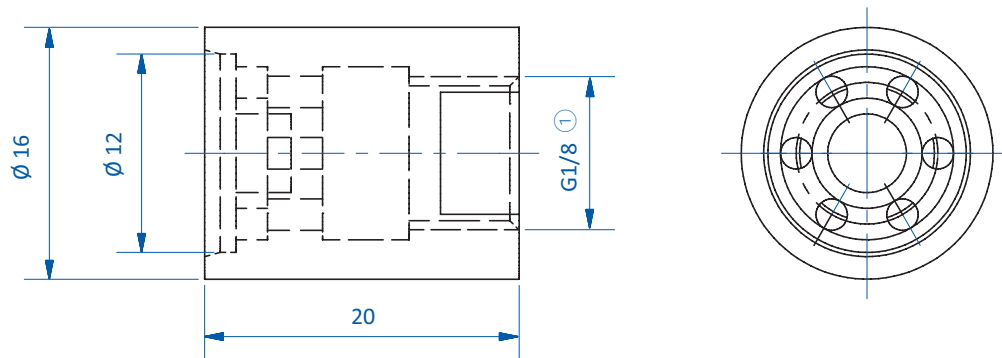
### Product notes

- > Customized ID & OD grippers for inserts such as stem nuts or threaded bushings
- > Gripper customized to workpiece specifications
- > Pneumatically driven:
  - Clamping the workpiece with its inner contour
  - Single-acting or double-acting for short cycle times
- > Vacuum-driven:
  - For gripping parts on the face if ID pick-up is not permitted
- > Lightweight and compact housing, made from aluminum or brass
- > Dimensioned items below are for illustration only and not available as standard
- > We will be happy to develop the gripper that matches your application

### Dimensions



GR09.xx2



GR09.xx3

① = Compressed air connection for extending the piston ② = Compressed air connection for stripping for product release ③ = Vacuum connection

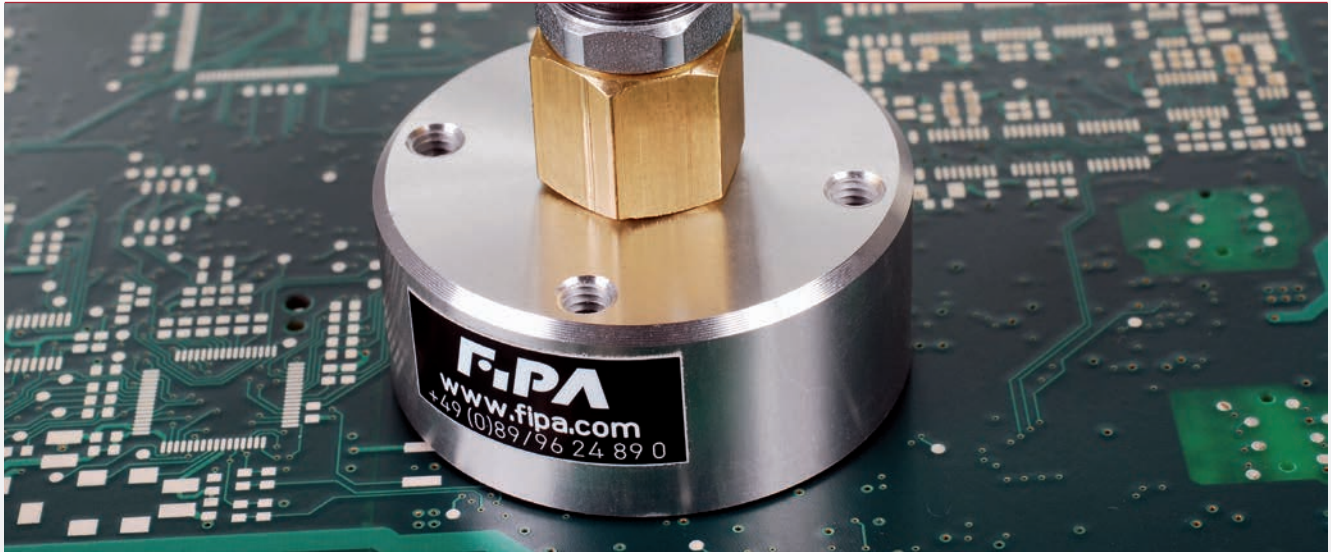


Notes:

A large area for taking notes, featuring a vertical red line on the left side and horizontal grey lines for writing.



## FIPA Special grippers



### Needle grippers

- > For materials that are non-dimensionally stable or difficult to handle with vacuum
- > Alignment to material thickness via adjustable lift
- > Double-acting, enables short duty cycles

> See page 256



### Needle grippers – slim design, with sensor

- > Internal lift guiding for extra slim design
- > Sensor for monitoring gripper action via piston position (needles extracted/retracted)

> See page 257



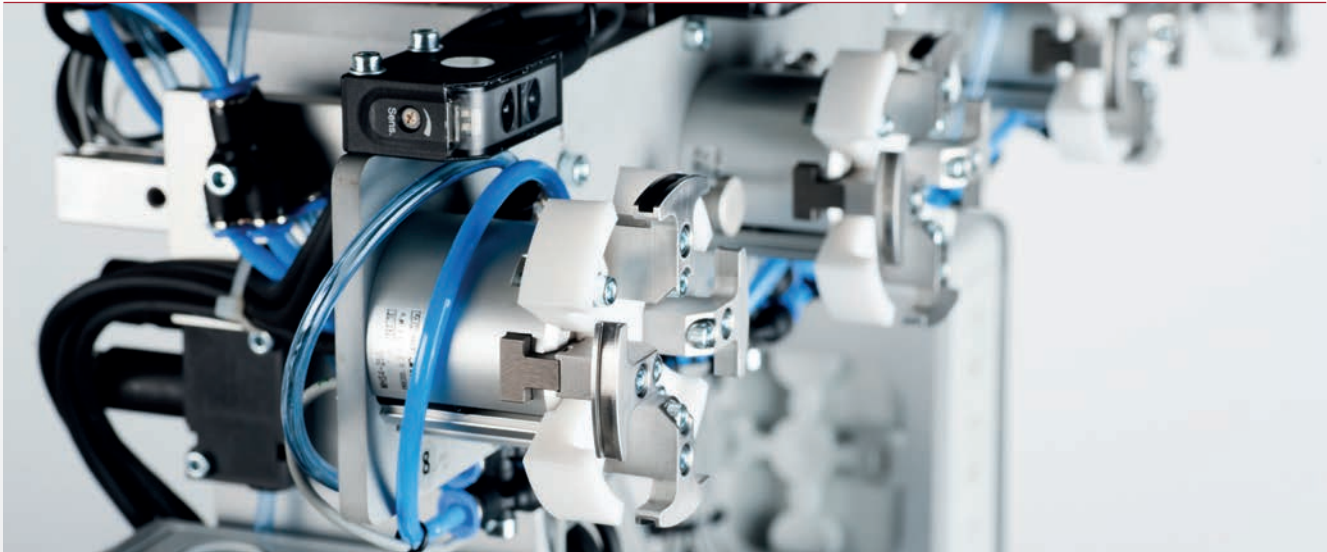
### Mounting brackets for needle gripper

- > Installation on SLine and MLine extrusion systems or on spring loaded suction fingers

> See page 267



FIPA Special grippers



**Magnetic grippers**

> Secure handling of sheet metal and ferromagnetic workpieces with and without recesses

**MG series**

- > Combination of electronic and permanent magnet
- > High cycle times for thin and/or alloyed metal sheets thanks to negligible residual magnetism after switching off the magnetic force
- > Holding force up to 700 N
- > No compressed air required
- > Very energy-efficient, as a short electrical pulse is only required for product release

> See page 269



**Bernoulli vacuum cups – SX-B and SX-B-PK**

- > Non-contact, deformation-resistant transport of thin and sensitive products
- > No ejector, requires compressed air only
- > Suitable for porous products thanks to high volume flow
- > Series for direct contact with food (approval in accordance with FDA/EC1935/2004)

> See page 270



**Modular grippers**

- > Customized gripper tools made of polyamide
- > Easy adaption to robots
- > Integrated media channels to minimize piping complexity
- > Food grade material

> See page 278



**NEW**



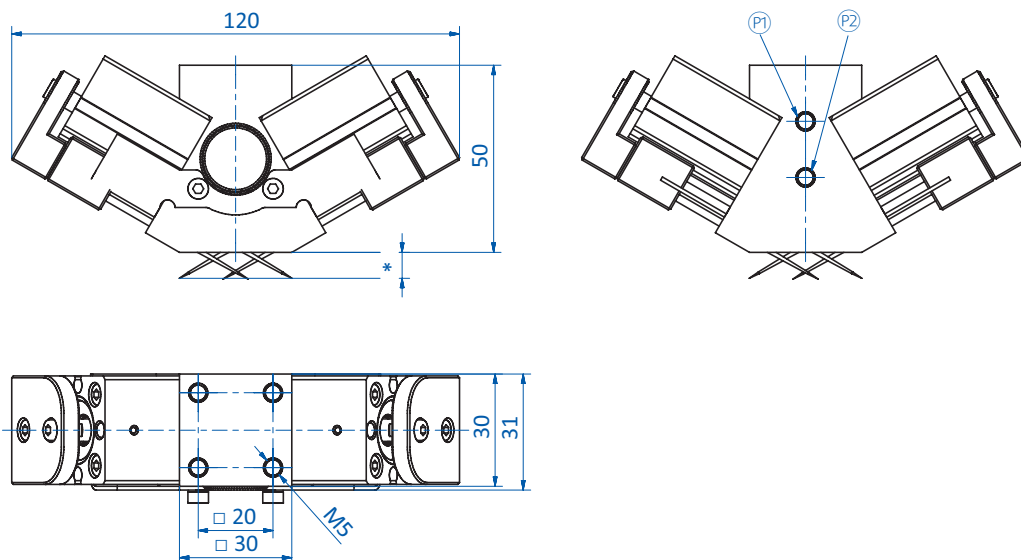
### Product notes

- > Gripper for materials that are non-dimensionally stable or difficult to handle with vacuum
- > Stroke limitation by spacer plates
- > Needles centrally crossed for firm grip
- > Double-acting enables short duty cycles: separate compressed air connections for extraction/retraction of needles
- > Needles can be individually replaced

### Technical data

Item no.	GR04.711-25	GR04.711-40	GR04.711-60
Principle of operation	Double-acting	Double-acting	Double-acting
Stroke [mm]	2.5	4	6
Number of needles [Pcs.]	12	12	12
Needle diameter [mm]	2	2	2
Infeed angle [°]	30	30	30
Operating pressure [bar (psi)]	2.5 - 8 (36.3 - 116)	2.5 - 8 (36.3 - 116)	2.5 - 8 (36.3 - 116)
Operating temperature [°C (°F)]	-10 - 60 (14 - 140)	-10 - 60 (14 - 140)	-10 - 60 (14 - 140)
Weight [g]	313	311	310
Suitable spare needle block	GR04.711-P4	GR04.711-P4	GR04.711-P4

### Dimensions



⊕ = Compressed air connection M5 needles extended ⊖ = Compressed air connection M5 needles retracted \* = Stroke



## Needle grippers GR04.740B



## Product notes

- > Slim design due to internal stroke guiding
- > Gripper for materials that are non-dimensionally stable or difficult to handle with vacuum
- > Alignment to material thickness via adjustable stroke
- > Double-acting, enables short duty cycles, separate compressed air connections for extraction/retraction of needles
- > Internal stroke guiding for extra slim design
- > Sensor for monitoring gripper action via piston position (needles extracted/retracted)
- > Stroke corresponds to maximum entry depth of needles
- > Sensors and spare needle sets with ten needles each, available as accessories
- > PNP and NPN sensors:
  - C-nut (cable: 90°): GR04.202P, GR04.202N
  - C-nut (cable: straight, short design): GR04.280P, GR04.280N

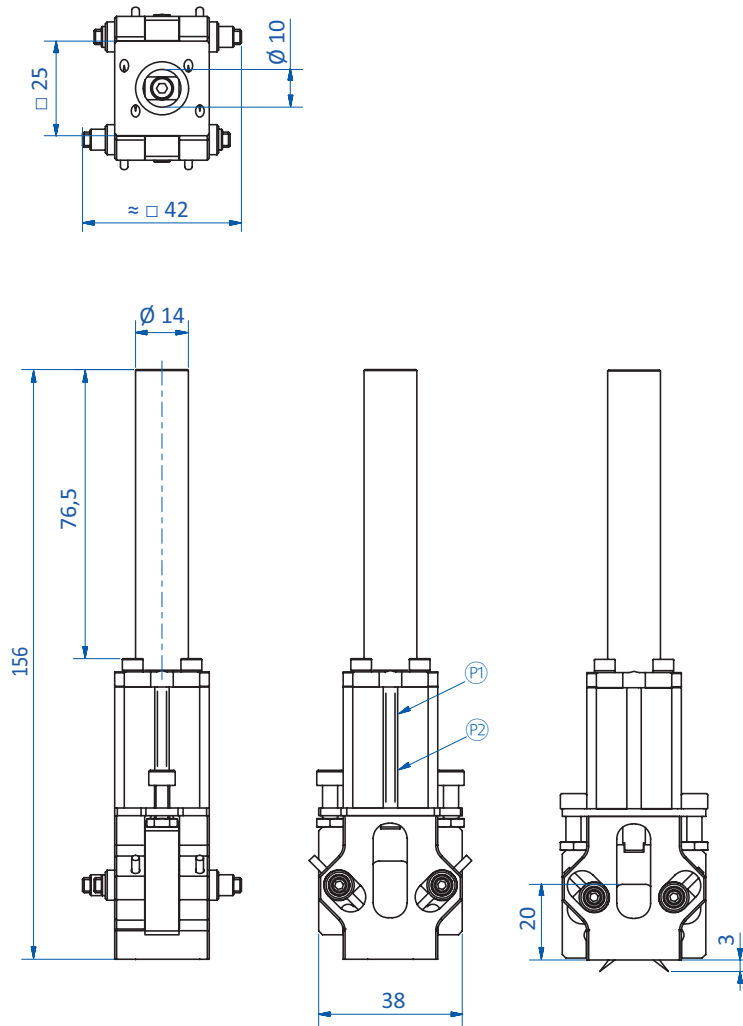
## Technical data

Item no.	GR04.740B
Principle of operation	Double-acting
Stroke [mm]	0 - 3
Number of needles [Pcs.]	4
Needle diameter [mm]	2
Infeed angle [°]	45
Operating pressure [bar (psi)]	2 - 8 (29 - 116)
Operating temperature [°C (°F)]	-10 - 80 (14 - 176)
Weight [g]	226
Accessories	Spare needle kit: GR04.740-30N Sensor: GR04.280N (p.404) Sensor: GR04.280P (p.404) Sensor: GR04.202N (p.404) Sensor: GR04.202P (p.404)

Continued on the next page →



### Dimensions

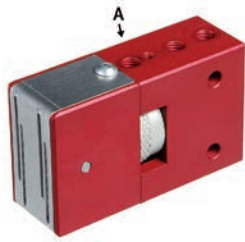


Ⓟ = Compressed air connection M5 needles extended Ⓠ = Compressed air connection M5 needles retracted





## Needle grippers GR04.700 and GR04.730



GR04.700



GR04.730

### Product notes

- > Small needle diameter for low entry depth, blow-off function for fast product release
- > Grippers with flat entry angle enables handling of thin or flat parts
- > Knurled screw for stroke adjustment to textile thickness
- > GR04.700: double-acting enables short duty cycles: separate compressed air connections for extraction/retraction of needles
  - Additional compressed air inlet (A) for fast product release
- > GR04.730: single-acting, compressed air connection for needle extraction, reset via return spring
- > Stroke corresponds to maximum entry depth of needles
- > Spare needle plates available as accessories

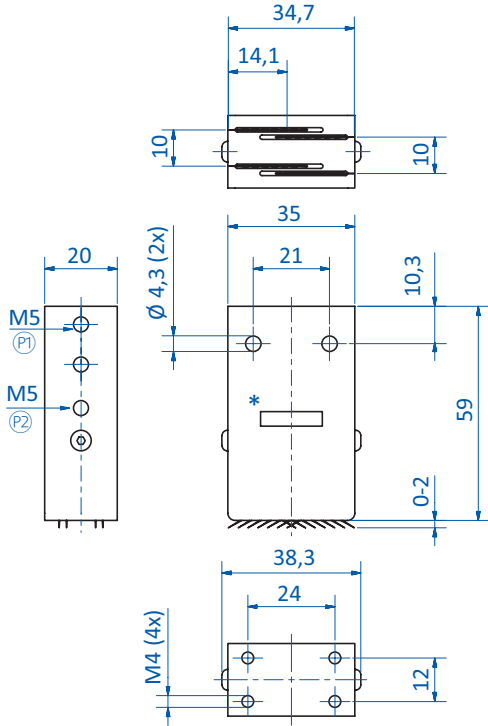
### Technical data

Item no.	GR04.700-20	GR04.700-25	GR04.730-20
Principle of operation	Double-acting	Double-acting	Single-acting
Stroke [mm]	0 - 2	0 - 2.5	0 - 2
Number of needles [Pcs.]	32	32	32
Needle diameter [mm]	0.7	0.7	0.7
Infeed angle [°]	30	30	30
Operating pressure [bar (psi)]	4 - 7 (58 - 101.5)	4 - 7 (58 - 101.5)	4 - 7 (58 - 101.5)
Operating temperature [°C (°F)]	-0 - 70 (32 - 158)	-0 - 70 (32 - 158)	-0 - 70 (32 - 158)
Weight [g]	114	114	250
Accessories	Spare needle kit: GR04.700-20N Mounting bracket: GR07.040 (p.267)	Spare needle kit: GR04.700-25N Mounting bracket: GR07.040 (p.267)	Spare needle kit: GR04.730-20N Mounting bracket: GR07.041 (p.267)

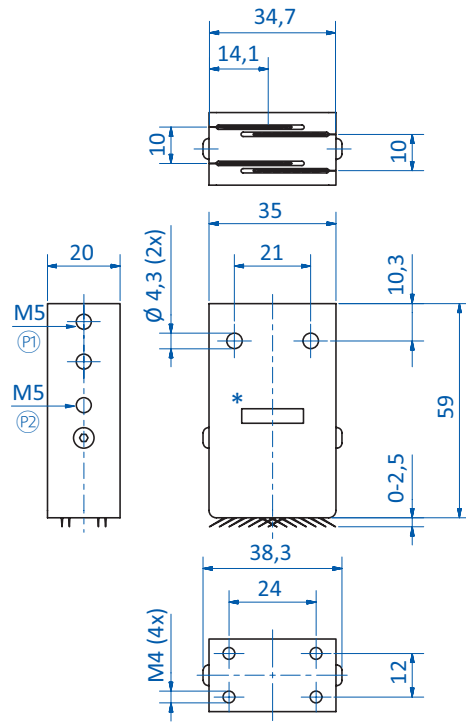
Continued on the next page →



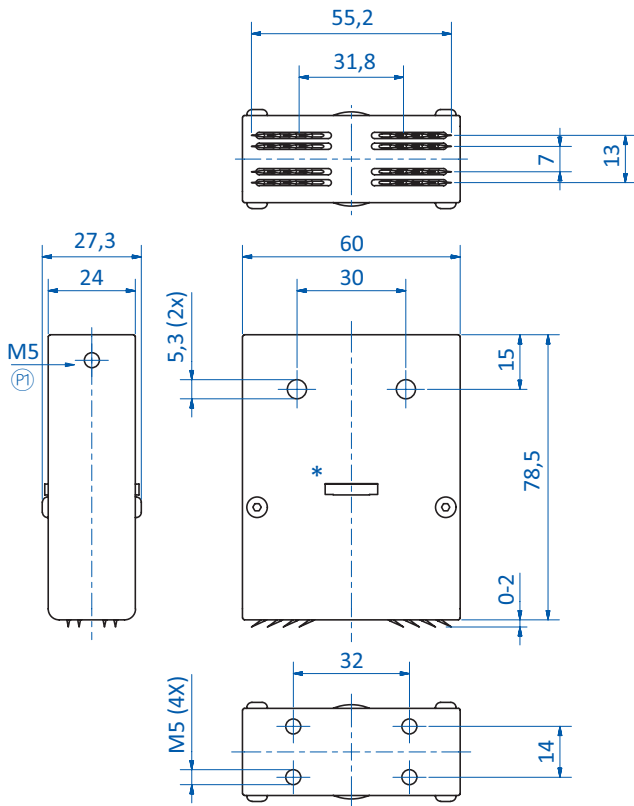
### Dimensions



GR04.700-20



GR04.700-25



GR04.730-20

\* = Stroke adjustment with knurled screw (P1) = Compressed air connection M5 needles extended  
 (P2) = Compressed air connection M5 needles retracted



## Needle grippers GR04.710 and GR04.720



GR04.710



GR04.720 with spring load

### Product notes

- > Strokes adjustable to material thickness
- > Grippers for materials that are non-dimensionally stable or difficult to handle with vacuum
- > Central bore hole (Ø 10 mm) to allow insertion of gripper into stack rails for pick & place
- > Stroke limitation adjustable to material thickness
- > Needles centrally crossed for firm grip
- > Double-acting enables short duty cycles: separate compressed air connections for extraction/retraction of needles
- > Needles can be individually replaced
- > Spare needle sets, each containing ten pieces available

### Technical data

Item no.	GR04.710-25	GR04.710-50	GR04.710-75	GR04.710-100	GR04.720-25	GR04.720-50
Principle of operation	Double-acting	Double-acting	Double-acting	Double-acting	Double-acting	Double-acting
Stroke [mm]	0 - 2.5	0 - 5	0 - 7.5	0 - 10	0 - 2.5	0 - 5
Stroke suspensions [mm]	--	--	--	--	35	35
Number of needles [Pcs.]	10	10	10	10	10	10
Needle diameter [mm]	2	2	2	2	2	2
Infeed angle [°]	30	30	30	30	30	30
Operating pressure [bar (psi)]	2 - 8 (29 - 116)	2 - 8 (29 - 116)	2 - 8 (29 - 116)	2 - 8 (29 - 116)	2 - 8 (29 - 116)	2 - 8 (29 - 116)
Operating temperature [°C (°F)]	-10 - 80 (14 - 176)	-10 - 80 (14 - 176)	-10 - 80 (14 - 176)	-10 - 80 (14 - 176)	-10 - 80 (14 - 176)	-10 - 80 (14 - 176)
Weight [g]	240	298	310	340	492	512
Accessories	Spare needle kit: GR04.710-50N Mounting bracket: GR07.040 (p.267)	Spare needle kit: GR04.710-50N Mounting bracket: GR07.040 (p.267)	Spare needle kit: GR04.710-75AN Spare needle kit: GR04.710-75N Mounting bracket: GR07.040 (p.267)	Spare needle kit: GR04.710-75AN Spare needle kit: GR04.710-75N Mounting bracket: GR07.040 (p.267)	Spare needle kit: GR04.720-25N	Spare needle kit: GR04.720-25N

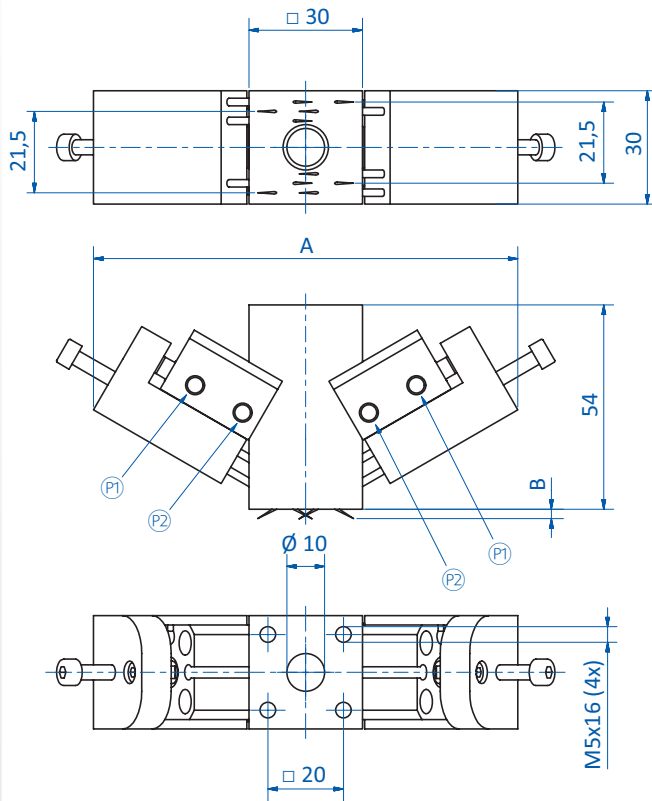
Continued on the next page →



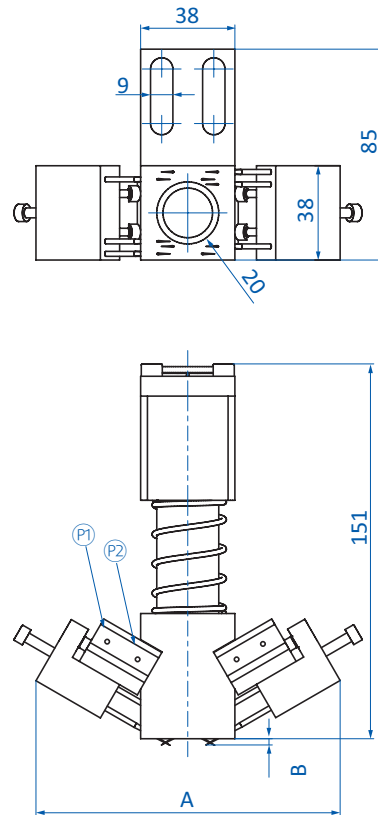
# Grippers | Needle grippers

Needle grippers GR04.710 and GR04.720

## Dimensions



GR04.710-25 | GR04.710-50 | GR04.710-75 | GR04.710-100



GR04.720-25 | GR04.720-50

Ⓟ = Compressed air connection M5 needles extended Ⓠ = Compressed air connection M5 needles retracted

Item no.	GR04.710-25	GR04.710-50	GR04.710-75	GR04.710-100	GR04.720-25	GR04.720-50
A [mm]	111.5 - 123	120 - 138	128 - 154	138.5 - 173	123 - 131.5	131.5 - 149
B [mm]	0 - 2.7	0 - 5	0 - 7.5	0 - 10	0 - 2.5	0 - 5



## Needle grippers GR04.715

RETRACTION OF NEEDLES CAN BE CONTROLLED SEPARATELY FOR BOTH SIDES



## Product notes

- > Grippers for workpieces or materials that are non-dimensionally stable or difficult to handle with vacuum
- > Narrow design
- > Stroke can be adjusted to material thickness
- > Double-acting enables short duty cycles: separate compressed air connections for extraction/retraction of needles on the face-side, alternatively one connection/each for separate extraction, one connection for central retraction
- > Needles can be individually replaced
- > Spare needle sets, each containing ten pieces available

## Technical data

Item no.	GR04.715-70
Principle of operation	Double-acting
Stroke [mm]	0 - 7
Number of needles [Pcs.]	6
Needle diameter [mm]	2
Infeed angle [°]	30
Operating pressure [bar (psi)]	2 - 8 (29 - 116)
Operating temperature [°C (°F)]	-10 - 80 (14 - 176)
Weight [g]	195
Accessories	Spare needle kit: GR04.715-70N Mounting bracket: GR07.042 (p.268)

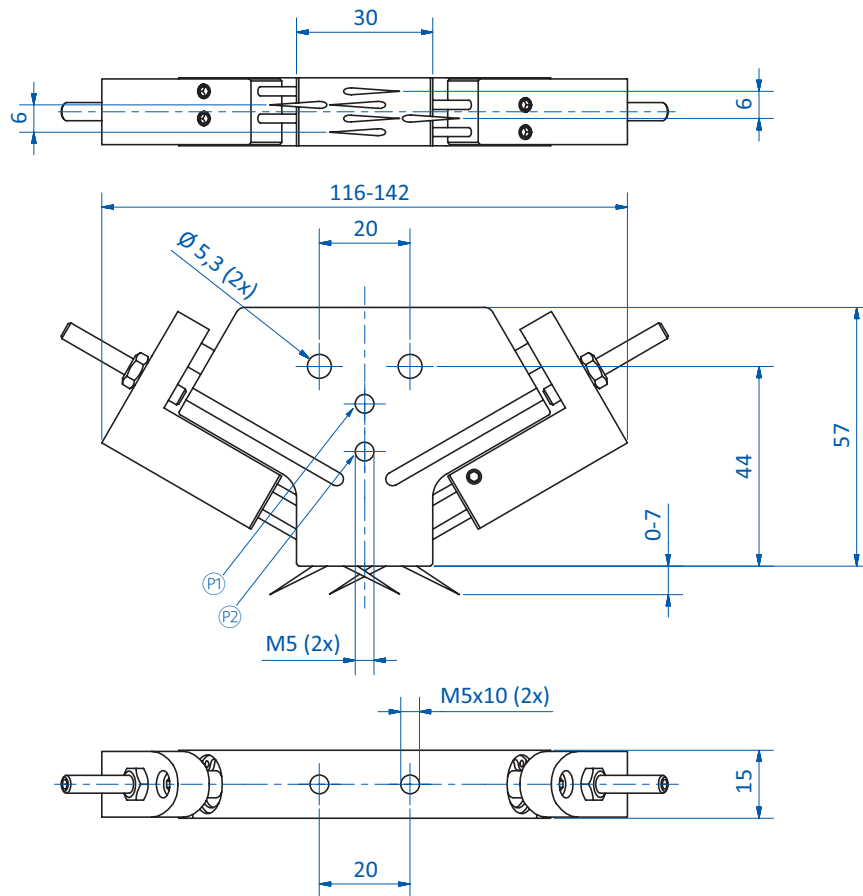
Continued on the next page →



# Grippers | Needle grippers

Needle grippers GR04.715

## Dimensions



Ⓟ = Bore holes M5 for separate extraction of needles per side Ⓠ = Bore hole M5 for central retraction of needles



## Needle grippers GR04.725

ESPECIALLY SUITED FOR HANDLING HEAVIER WORKPIECES



## Product notes

- > Grippers for materials that are non-dimensionally stable or difficult to handle with vacuum
- > Stroke can be adjusted to material thickness
- > Double-acting enables short duty cycles: separate compressed air connections for extraction/retraction of needles
- > Spare needle plates, available

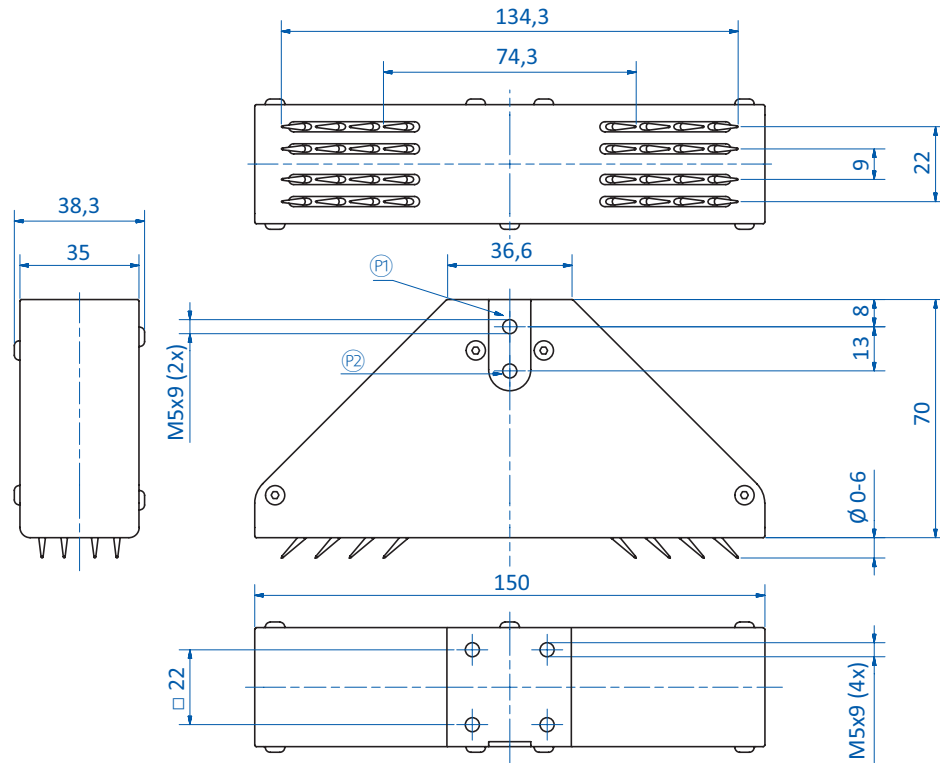
## Technical data

Item no.	GR04.725-60	GR04.725-90
Principle of operation	Double-acting	Double-acting
Stroke [mm]	6	9
Number of needles [Pcs.]	32	32
Needle diameter [mm]	2	2
Infeed angle [°]	45	45
Max. gripping force [N]	360	360
Operating pressure [bar (psi)]	2 - 8 (29 - 116)	2 - 8 (29 - 116)
Operating temperature [°C (°F)]	-10 - 80 (14 - 176)	-10 - 80 (14 - 176)
Weight [g]	450	480
Accessories	Spare needle kit: GR04.725-60N Mounting bracket: GR07.041 (p.267)	Spare needle kit: GR04.725-90N Mounting bracket: GR07.041 (p.267)

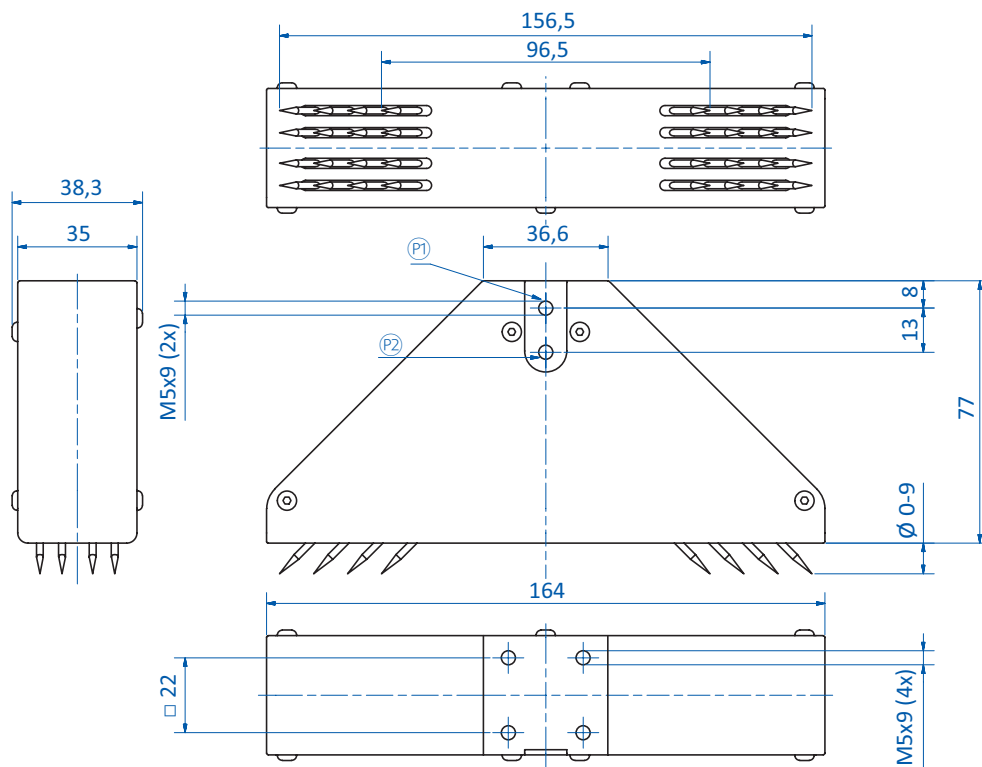
Continued on the next page →



### Dimensions



GR04.725-60



GR04.725-90

Ⓟ = Compressed air connection M5 needles extended Ⓠ = Compressed air connection M5 needles retracted





Mounting plates for needle gripper



Product notes

- > Mounts needle grippers on the SLine and MLine extrusion systems or spring loaded suction fingers
- > Two bore holes for DIN 912-M5, for mounting on extrusion
- > Slot nuts and screws included in scope of delivery

Technical data

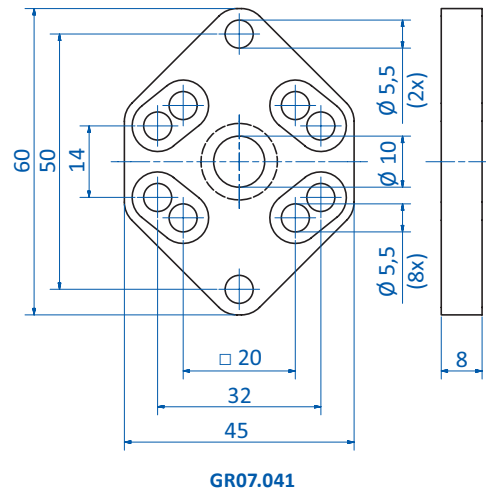
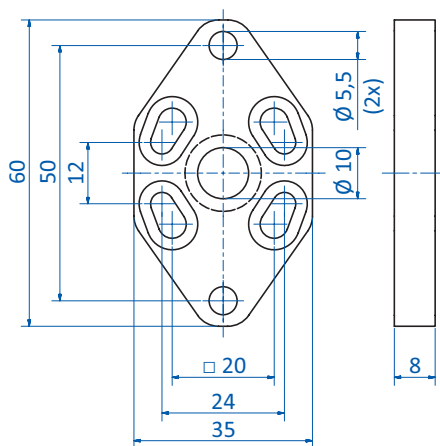
Item no.	Suitable for	Weight [g]	Suitable suction fingers
GR07.040	GR04.700, GR04.710	21	GR03.090A (p.117), GR03.091A (p.117), GR03.130A, GR03.131A
GR07.041	GR04.725, GR04.730	27	GR03.090A (p.117), GR03.091A (p.117), GR03.130A, GR03.131A

Application examples



Installation example for needle gripper GR04.700 on spring loaded suction finger or FIPA SLine extrusion system

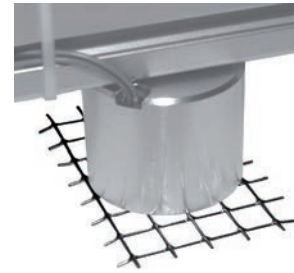
Dimensions







### Magnetic grippers – electrical controlled



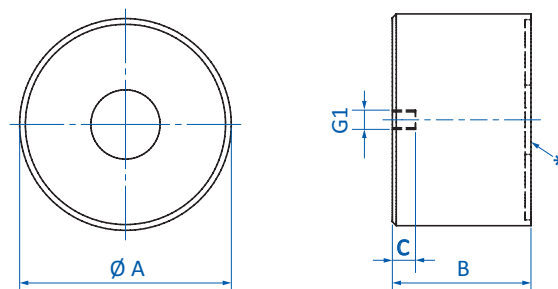
#### Product notes

- > Safe handling of sheet metal or ferromagnetic workpieces with or without recesses
- > Very high holding force thanks to high-performance permanent magnet
- > Safe holding of the workpiece during power failures
- > NC normally closed
- > Short cycle times for thin and/or alloyed metal sheets thanks to negligible residual magnetism after switching off the magnetic force
- > No compressed air required
- > Very energy-efficient as a short electrical pulse is only required for product release
- > Robust design
- > Indicated holding forces are valid for direct placement, without air gap, on the flat holding surface

#### Technical data

Item no.	MG35	MG55	MG70
Principle of operation	Electrical	Electrical	Electrical
Rated power [W]	4.6	9	13.3
Gripping force [N]	160	420	720
Residual gripping force [N]	< 1	< 1	< 1
Operating voltage of the switch-off coil [V]	24	24	24
Power-on time [ED]	25 % ED at < 2 min.	25 % ED at < 2 min.	25 % ED at < 2 min.
Min. recommended sheet thickness [mm]	3	4.5	6
Protection class	IP65	IP65	IP65
Max. operating temperature [°C (°F)]	0 - 70 (32 - 158)	0 - 70 (32 - 158)	0 - 70 (32 - 158)
Weight [g]	200	500	900
Suitable fittings	270.448	270.449	270.450

#### Dimensions



\* = Holding surface

Item no.	MG35	MG55	MG70
G1	M4	M5	M8
Ø A [mm]	35	55	70
B [mm]	30	36	45
C [mm]	5	6	8



# Grippers | Bernoulli vacuum cups

## Bernoulli vacuum cups SX-B

### Bernoulli vacuum cups SX-B



Housing made of anodized aluminum

#### Product notes

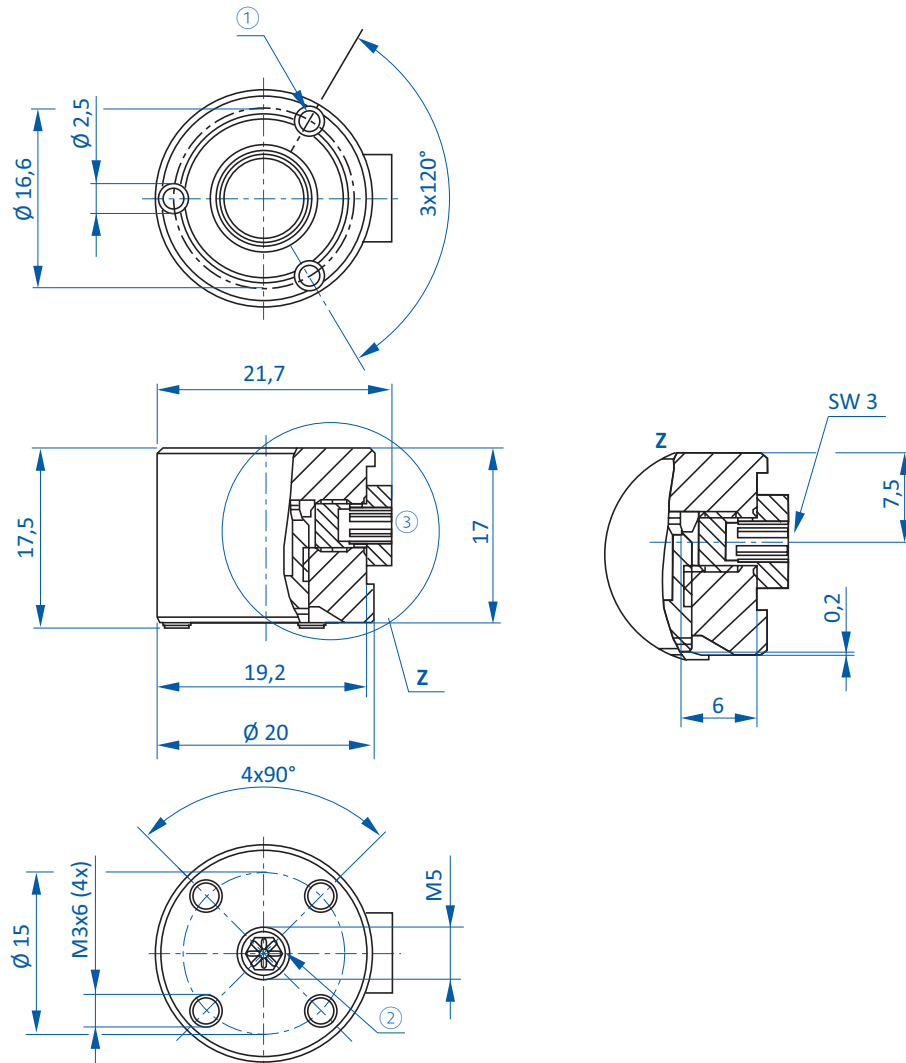
- > Integrated vacuum generation on the Bernoulli principle
- > Non-contact, deformation-resistant transport of thin and sensitive products
- > Suitable for porous products thanks to high volume flow at low vacuum level
- > Easy to install, system flexibly expandable through lateral compressed air inlets
- > Long life cycle due to maintenance-free operation
- > Only operate with unoiled, dry compressed air
- > With 65.530 and 65.540, the pads can be removed for contact-free applications
- > Pads are included in scope of delivery

#### Technical data

Item no.	65.510	65.520	65.530	65.540
Model	SX-B-20	SX-B-30	SX-B-40	SX-B-60
Operating pressure [bar (psi)]	1 - 6 (14.5 - 87)	1 - 6 (14.5 - 87)	1 - 6 (14.5 - 87)	1 - 6 (14.5 - 87)
Holding force at 5 bar (72,5 psi) [N]	2.6	4	6.4	13
Air consumption at 5 bar (72.5 psi) [l/min]	95	100	100	150
Max. particle size [µm]	40	40	40	40
Ambient air temperature [°C (°F)]	5 - 60 (41 - 140)	5 - 60 (41 - 140)	5 - 60 (41 - 140)	5 - 60 (41 - 140)
Weight [g]	50	70	120	260
Suitable pads	78.521	78.521	78.522	78.522



Dimensions



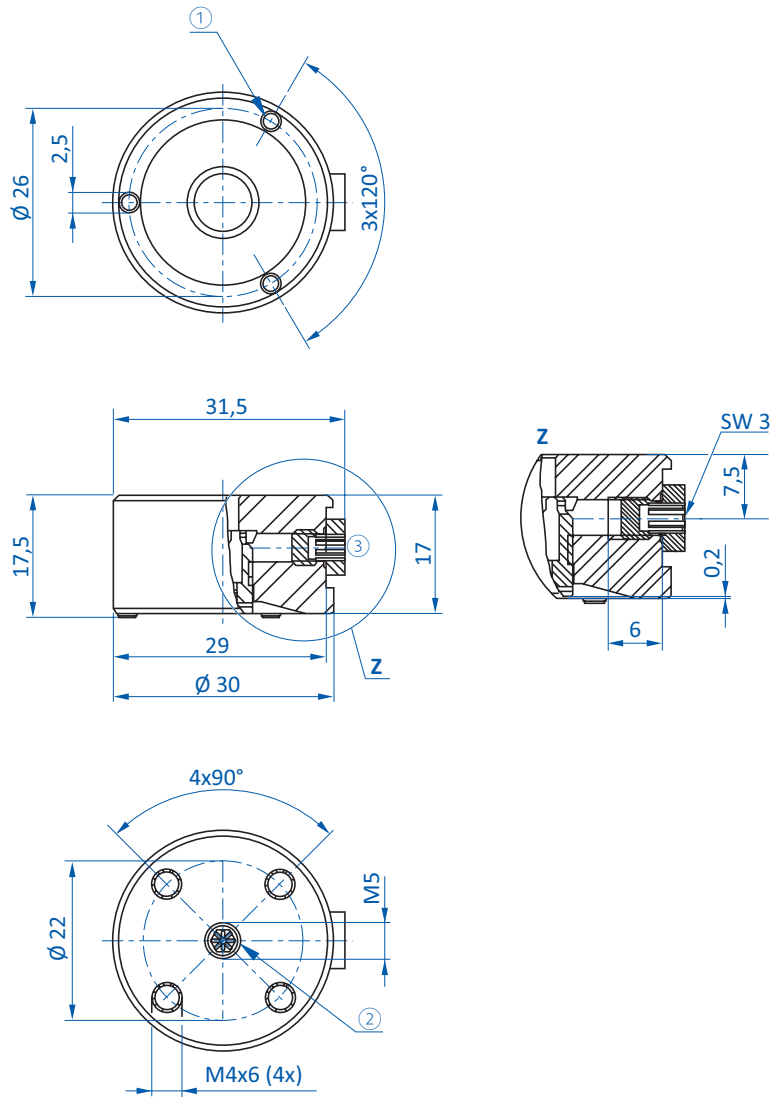
65.510

① = Pads ② = Compressed air connection ③ = Alternative compressed air connection

Continued on the next page



### Dimensions

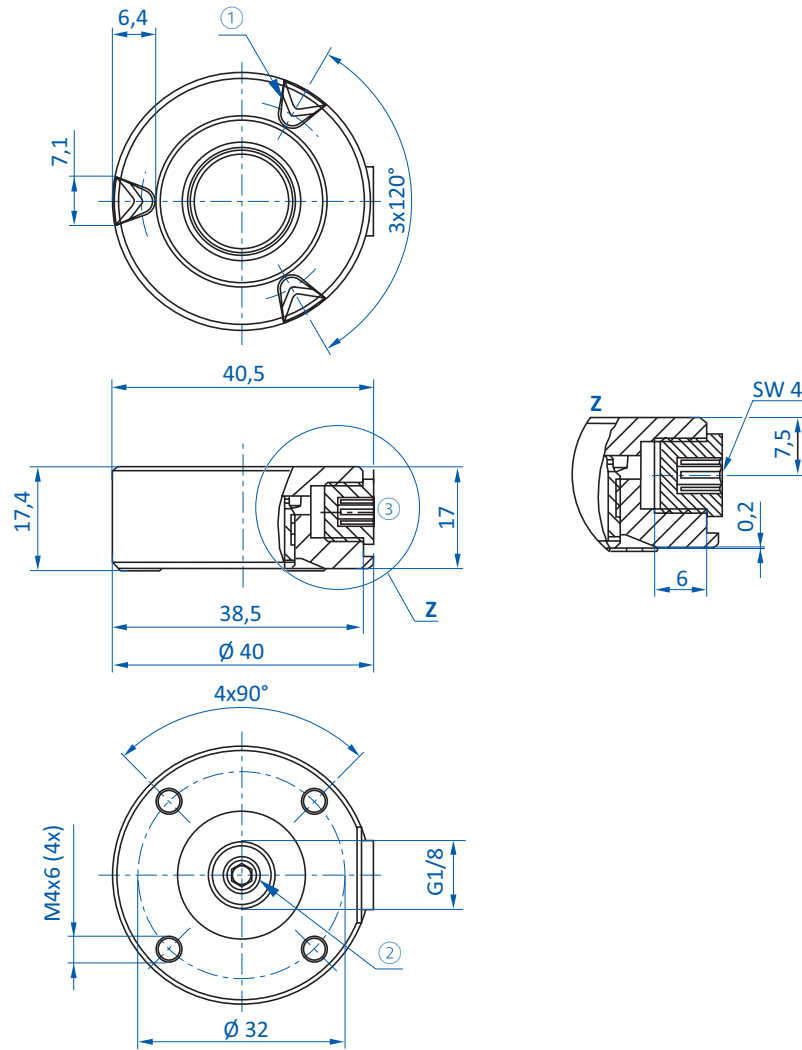


65.520

① = Pads ② = Compressed air connection ③ = Alternative compressed air connection



Dimensions



65.530

① = Pads ② = Compressed air connection ③ = Alternative compressed air connection

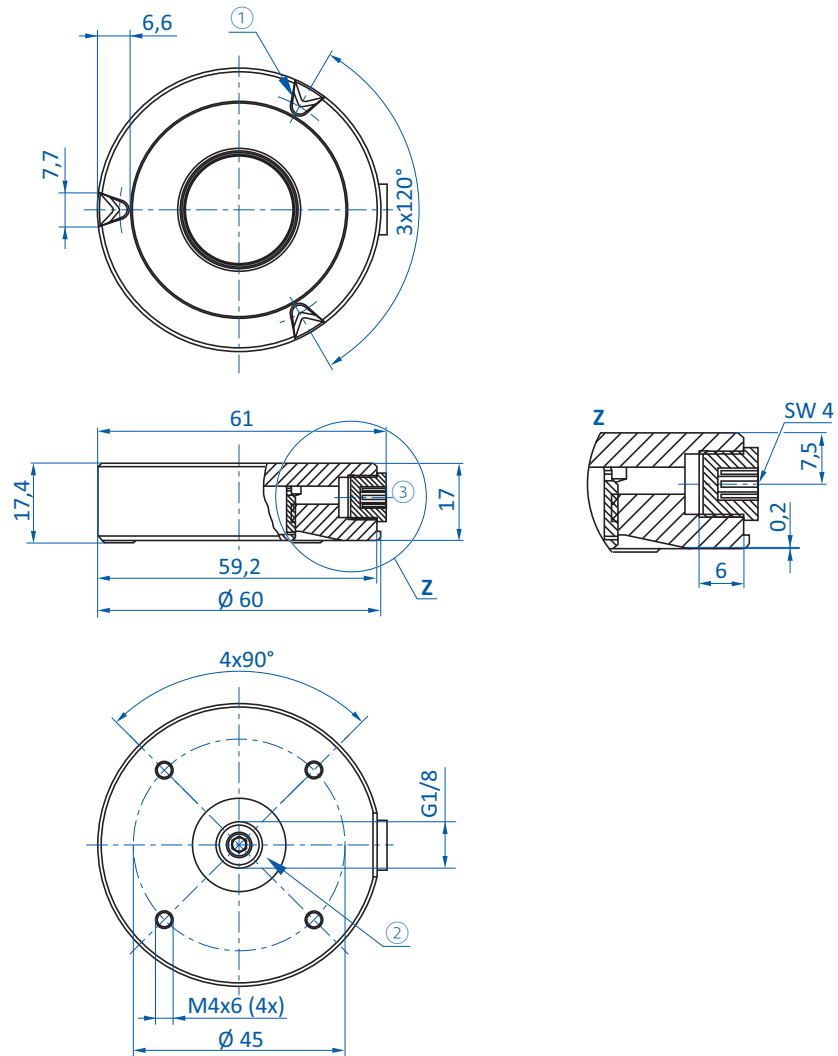
Continued on the next page →



# Grippers | Bernoulli vacuum cups

Bernoulli vacuum cups SX-B

## Dimensions



65.540

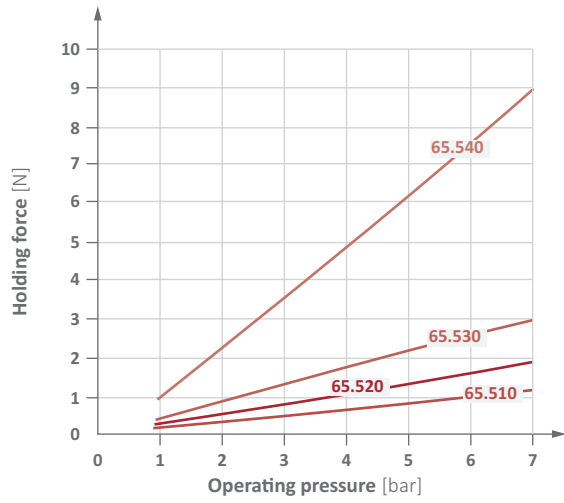
① = Pads ② = Compressed air connection ③ = Alternative compressed air connection



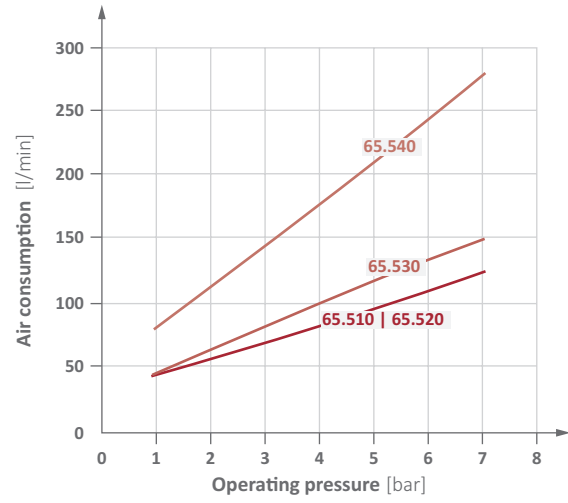


Diagrams

> Holding force as a function of operating pressure



> Air consumption as a function of operating pressure





### Bernoulli vacuum cups SX-B-PK

SUITABLE FOR FOODSTUFFS



Body and blind screws made of polyetheretherketone (PEEK), nozzle made of stainless steel

#### Product notes

- > Integrated vacuum generation on the Bernoulli principle
- > No ejector, requires compressed air only
- > Non-contact, deformation-resistant transport of thin and sensitive products
- > Suitable for direct contact with food products (approval by FDA/EC1935/2004)
- > Suitable for porous products thanks to high volume flow at low vacuum level
- > Easy to install, system flexibly expandable through lateral compressed air inlets
- > Long life cycle due to maintenance-free operation
- > Only operated with oil-free, dry compressed air

#### Technical data

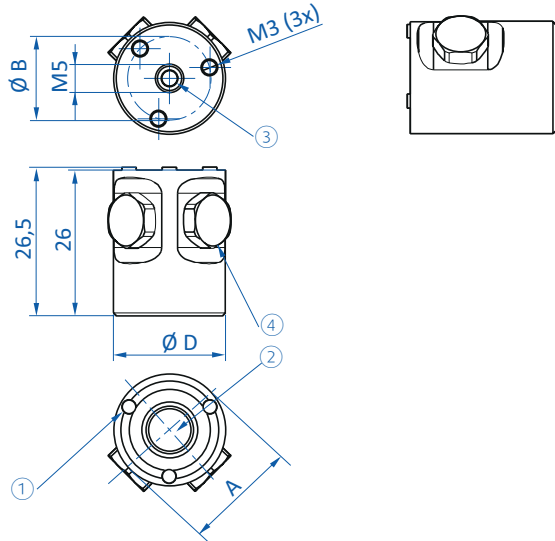
Item no.	65.510-PK	65.520-PK	65.530-PK	65.540-PK
Model	SX-B-PK-20	SX-B-PK-30	SX-B-PK-40	SX-B-PK-60
Operating pressure [bar (psi)]	1 - 7 (14.5 - 101.5)	1 - 7 (14.5 - 101.5)	1 - 7 (14.5 - 101.5)	1 - 7 (14.5 - 101.5)
Holding force at 5 bar (72,5 psi) [N]	2.5	3	5.5	12
Air consumption at 5 bar (72.5 psi) [Nl/min]	150	150	150	220
Max. particle size [µm]	40	40	40	40
Medium	Compressed air	Compressed air	Compressed air	Compressed air
Ambient air temperature [°C (°F)]	5 - 60 (41 - 140)	5 - 60 (41 - 140)	5 - 60 (41 - 140)	5 - 60 (41 - 140)
Weight [g]	10	20	30	70
Suitable silicone pads	78.510	78.510	78.512	78.512

#### Technical specifications

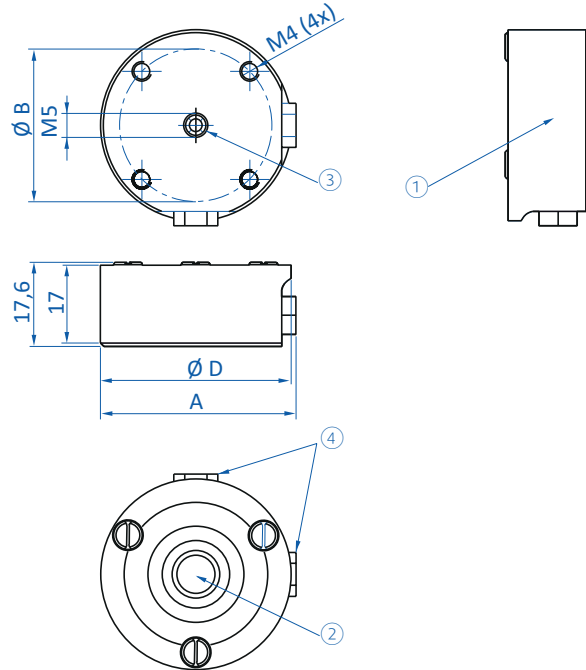
- > Highly resistant against diverse chemicals used in the food industry
- > Suitable for all conventional CIP (cleaning-in-place) and SIP (sterilization-in-place) processes
- > Hygienic product design enables quick and easy cleaning
- > Materials:
  - Housing: polyetheretherketone
  - Pad: silicone
  - Nozzle: stainless steel
  - Seals: fluorocarbon
  - Blanking screw: polyetheretherketone



Dimensions



65.510-PK



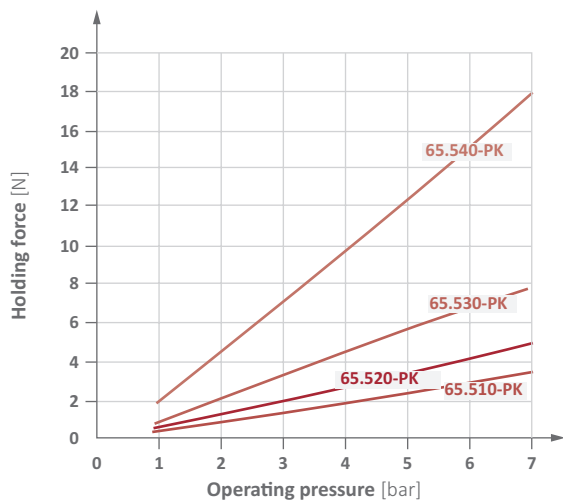
65.520-PK | 65.530-PK | 65.540-PK

① = Silicone rubber pads ② = Nozzle ③ = Compressed air connection ④ = Alternative compressed air connection

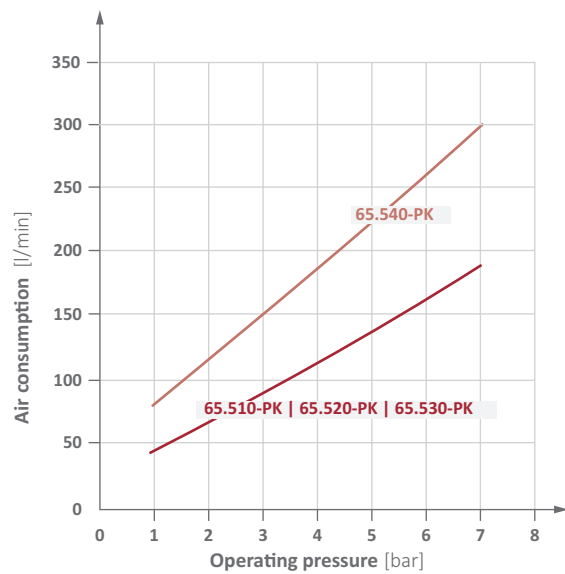
Item no.	65.510-PK	65.520-PK	65.530-PK	65.540-PK
A [mm]	21	31	41	61
Ø B [mm]	15	22	32	45
Ø D [mm]	20	30	40	60

Diagrams

> Holding force as a function of operating pressure



> Air consumption as a function of operating pressure

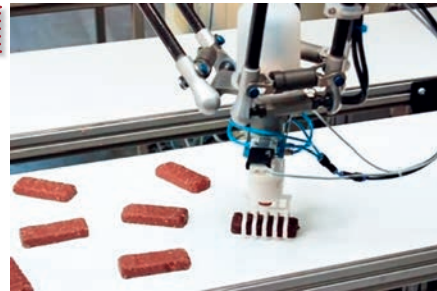




### PA grippers



SUITABLE FOR FOODSTUFFS

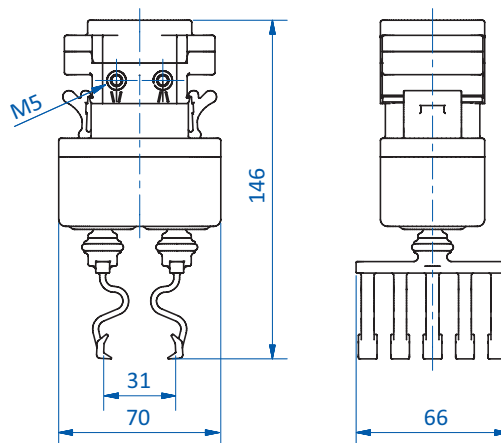


Customized design example

### Product notes

- > Grippers are customized to the workpiece
- > Connection to robots such as Delta Robots
- > Double-acting
- > All components made of FDA compliant material
- > Material: polyamide-based high-performance plastic
- > The product examples displayed are based on customer specifications
- > We would be pleased to develop your customized solution

### Dimensions



### Application examples

- > Modular gripper for cans – the gripper design follows the contours of the handling item, to enable rapid acceleration



- > Modular gripper with integrated ejector EMM and Varioflex® bellows vacuum cups for height compensation

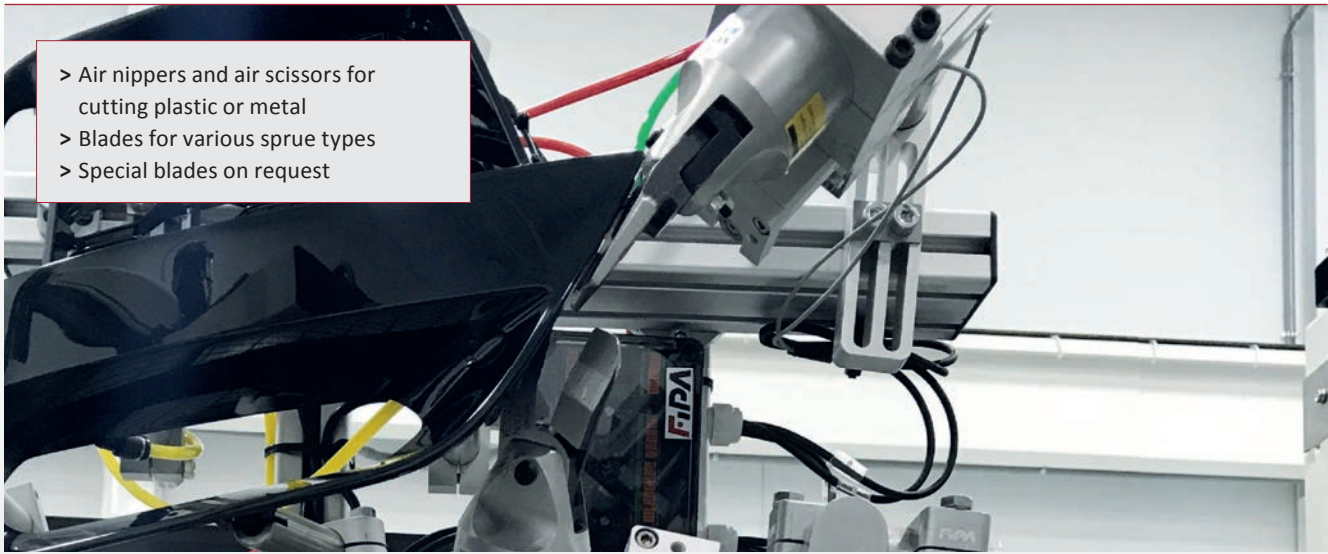


Air nippers at a glance .....	281
Selection blade shapes .....	282
Air nippers – manual and automatic operation .....	286
Air nippers – stationary .....	308
Air shears .....	321
Accessories .....	325





## FIPA Air nippers



- > Air nippers and air scissors for cutting plastic or metal
- > Blades for various sprue types
- > Special blades on request



### Air nippers for manual or automatic operation

- > Installation on robot arms or cutting stations
- > Cutting off sprues as well as cutting metal wire
- > Round or square body

> See page 286



### Stationary air nippers with/without lift

- > Installation on cutting stations or automated equipment
- > Adjustable lift for cutting flush to the workpiece
- > Double-acting models for short cycles

> See page 308



### Air shears for manual or automatic operation

- > Cutting of special plastics and textiles
- > Double-acting models for short cycles

> See page 321



### Blades for plastic or metal

- > Blades for various sprue types
- > Special blades on request

> See pages after respective nipper type





## Blades for plastic – nippers for manual and automatic operation

Item number	Page	Cutting capacity [mm]		Air nippers			
		PP/PE	ABS	GT-N [manually]	GT-NR [round]	GT-NS [rectangular]	
<b>Straight cutting edge</b>							
	Standard type						
	N3AJ	2	--	x	x	x	
	N10LAB2	4	2.6	x	x	x	
	N20AJ	7	5	x	x	x	
	N20AB39	7	5	x	--	x	
	N30AJ	10	6.5	x	x	x	
	Extra long blade						
	N20AJL	7	5	x	x	x	
	N30AJL	10	6.5	x	x	x	
	N50AJL	15	8	x	x	x	
<b>Angled cutting edge</b>							
	Blade with flat angle						
	N3AP	2	--	x	x	x	
	N5AP	2	--	x	x	x	
	N7AP	3	2	x	x	x	
	N10AP	4	2.6	x	--	--	
	N10LAB152	4	2.6	x	--	x	
	N10LAP	4	2.6	--	x	x	
	N12AP	4.5	4	x	--	--	
	N20AA239	6	4	x	--	x	
	N20AA27	6.5	4.5	x	--	x	
	N20AB360	7	5	--	--	x	
	N30AA114	10	6.5	x	x	x	
	N30AP	10	6.5	x	x	x	
	N50AB	15	8	--	x	x	
	N50ABH41	18	8	--	x	x	
Blade with deep angle							
N7PF	3	2	x	x	x		
N10LPF	4	2.6	--	x	x		
N20PF	7	5	x	x	x		
N30PF	10	6.5	x	x	x		
<b>Laterally facing blades</b>							
	Blade with 90° laterally facing cutting edge						
	N20AML	10x1.5	8x1	x	x	x	
	N20AMR	10x1.5	8x1	x	x	x	
	N30AML	15x2	10x1.5	x	x	x	
N30AMR	15x2	10x1.5	x	x	x		
<b>Blades, L-shape</b>							
	Long blade with 90° angle						
	N20AL	7	5	x	x	x	
N30AL525	10	6.5	x	x	x		







## Blades for plastic – nippers for manual and automatic operation



Item number	Page	Cutting capacity [mm]		Air nippers			
		PP/PE	ABS	GT-N [manually]	GT-NR [round]	GT-NS [rectangular]	
<b>Blades, Z-shape</b>							
	Offset blade						
	N20AH	302	7	5	x	x	x
N30AH	10		6.5	x	x	x	
<b>Blades, nipper style</b>							
	For cutting applications						
	N3AE	303	2	--	x	x	x
	N5AE		2	--	x	x	x
	N7AE		3	2	x	x	x
	N10AE		4	2.6	x	x	x
	N20AE		7	5	x	x	x
	N30AE		10	6.5	x	x	x
N50AE	12		6.5	x	x	--	

## Blades for metal – nippers for manual and automatic operation


Item number	Page	Cutting capacity [mm]			Air nippers				
		Copper wire	Steel wire	Piano wire	GT-N [manually]	GT-NR [round]	GT-NS [rectangular]		
<b>Straight cutting edge</b>									
	Blade with an unbeveled edge (anvil principle) to cut thin wire								
	N3BJ	304	1	0.5	--	x	x	x	
	N5BJ		1	0.5	--	x	x	x	
	N7BJ		1.6	1	--	x	x	x	
	Blade in clipper type shape with carbide tips to cut thicker wire or thin pipe								
N20BFB	304	2.6	2	1.2	x	x	x		
N50AS		5.5	4.5	--	x	x	--		
<b>Angled cutting edge</b>									
	Blade with an unbeveled edge (anvil principle) to cut thin wire								
	N3AS	306	1	0.5	--	x	x	x	
	N3HS		1	0.5	0.2	x	x	x	
	N5AS		1	0.5	--	x	x	x	
	N5HS		1	0.5	0.3	x	x	x	
	N7AS		1.6	1	--	x	x	x	
	N7HS		1.6	1	0.5	x	x	x	
	N10AS		1.8	1.2	--	x	--	--	
	N10HS		2.3	1.7	--	x	--	--	
	N10LAS		1.8	1.2	--	--	x	x	
	N12AS		2.3	1.7	--	x	--	--	
	N12HS		1.3	2.7	--	x	--	--	
	N20AS		2.6	2	--	x	x	x	
	N20HS		2.6	2	1	x	x	x	
	N30AS		3.3	2.8	--	x	x	x	
	Blade with an unbeveled edge (anvil principle) and carbide tips								
	N30BBB		306	3.3	2.8	1.2	x	x	x
Blade with carbide tips									
N50BBB	306	5.5	4.5	2	x	x	--		



## Blades for plastic – stationary nippers with or without lift



Item number	Page	Cutting capacity [mm]		Air nippers		
		PP/PE	ABS	GT-NF [without lift]	GT-NY [with lift]	
<b>Straight cutting edge</b>						
<b>Standard type</b>						
	311	NY05AJ	3	2	x	x
		NY10AJ	3.5	2.3	x	x
		NY15AJ	4	2.6	x	x
		NY20AJ	5	3.4	x	x
<b>Reverse cutting edge if cutting flush to workpiece with blade "AJ" is not possible</b>						
	311	NY05RAJ	3	2	x	x
		NY10RAJ	3.5	2.3	x	x
		NY15RAJ	4	2.6	x	x
		NY25RAJ	5	3.4	x	x
<b>Extra long blade</b>						
	311	NY05AJL	3	2	x	x
		NY10AJL	3.5	2.3	x	x
		NY15AJL	4	2.6	x	x
		NY25AJL	5	3.4	x	x
<b>Extra thin blade for restricted spaces</b>						
	311	NY05AJT	3	2	x	x
		NY10AJT	3.5	2.3	x	x
		NY15AJT	4	2.6	x	x
<b>Soldered carbide tip for cutting hard plastics or plastics containing fiberglass</b>						
	311	NY05AJB	3	2	x	x
		NY10AJB	3.5	2.3	x	x
		NY15AJB	4	2.6	x	x
		NY25AJB	5	3.4	x	x
<b>Blades, Z-shape</b>						
<b>Offset blade for overcoming obstacles or for narrow sprues</b>						
	313	NY05AH	3	2	x	x
		NY10AH	3.5	2.3	x	x
		NY15AH	4	2.6	x	x
		NY25AH	5	3.4	x	x
<b>Reverse cutting edge if cutting flush to workpiece with blade "AH" is not possible</b>						
	313	NY05RAH	3	2	x	x
		NY10RAH	3.5	2.3	x	x
		NY15RAH	4	2.6	x	x
		NY25RAH	5	3.4	x	x

## Blades for metal – stationary nippers with or without lift


Item number	Page	Cutting capacity [mm]		Air nippers		
		Copper wire	Steel wire	GT-NF [without lift]	GT-NY [with lift]	
<b>Straight cutting edge</b>						
<b>Blade with an unbeveled edge (anvil principle)</b>						
	315	NY05BJ	1.6	1	x	x
		NY05RBJ	1.6	1	x	x




## Blades for plastic – vertical stationary nippers with lift

Item number	Page	Cutting capacity [mm]		Air nippers		
		PP/PE	ABS	GT-NT		
<b>Straight cutting edge</b>						
	<b>Standard type</b>					
	NT03AJ	1.5	1		x	
	NE05AJ	2.5	1.5		x	
	NT05AJ	2.5	1.5		x	
	NE10AJ	3.5	2.3		x	
	NT10AJ	3.5	2.3		x	
	NT20AJ	5	3.4		x	
	<b>Extra long blade</b>					
	NT05AJL	2.5	1.5		x	
	NT10AJL	3.5	2.3		x	
NT20AJL	5	3.4		x		
<b>Extra thin blade for restricted spaces</b>						
NT03AJT	1.5	1		x		
NT05AJT	2.5	1.5		x		
NT10AJT	3.5	2.3		x		
<b>Blade with HSS-tip for cutting hard plastic</b>						
NT05AJH	2.5	1.5		x		
NT10AJH	3.5	2.3		x		
NT20AJH	5	3.4		x		
<b>Carbide tip for cutting hard plastic or plastic with glass fiber</b>						
NT05AJB	2.5	1.5		x		
NT10AJB	3.5	2.3		x		
NT20AJB	5	3.4		x		
<b>Blades, pliers shape</b>						
	<b>For universal cutting applications</b>					
	NT05AE	2.5	1.5		x	
	NT10AE	3.5	2.3		x	

## Blades for air scissors

Item number	Page	Cutting capacity [mm]		Air nippers	
		Kevlar	Band steel	GT-NWR [round]	GT-NWS [rectangular]
<b>Blades for single-acting air scissors for cutting kevlar, aramid, glass or carbon fiber</b>					
	H30ME	1	--	x	x
	H30MEL	1	--	x	x
	H12ME30K	0.3	--	x	--
	H120SK	--	15 x 0.5	x	--

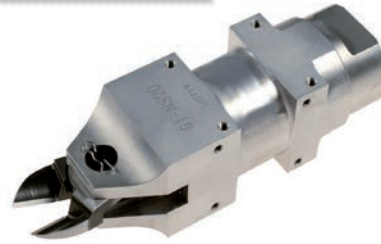
Item number	Page	Cutting capacity [mm]		Air nippers	
		Copper wire	Steel wire	GT-HWR [round]	GT-HWS [rectangular]
<b>Blades for double-acting air scissors for cutting copper or steel wire</b>					
	HW1J	1	0.5	x	x
	HW10J	1.8	1.2	--	x

### Air nippers – automatic, round/square

#### AIR NIPPERS FOR PLASTIC AND METAL



Air nippers, round



Air nippers, square

#### Product notes

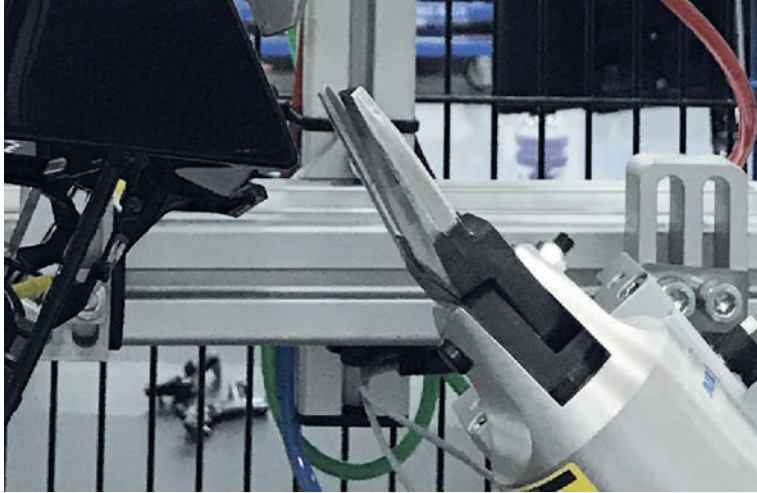
- > Air nippers for EOAT robot arms or cutting stations
- > Round body can be mounted in any angle position
- > Square body comes with bore holes on five surfaces
- > Rear air connection can be rotated 180°
- > GT-NS20H-1: air nipper with adjustable cutting opening
- > Pressure booster to increase cutting force optionally available

#### Technical data

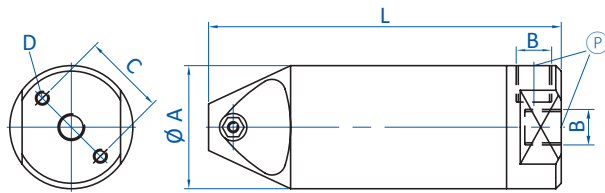
Item no.	Housing	Max. cutting force [N]	Air consumption [cm <sup>3</sup> /stroke]	Operating pressure [bar (psi)]	Height blade [mm]	Connection [G]	Accessories
GT-NR3	Round	294	45	4 - 5 (58 - 72.5)	7	G1/8	--
GT-NR5	Round	392	64	4 - 5 (58 - 72.5)	7	G1/8	--
GT-NR7	Round	490	116	4 - 5 (58 - 72.5)	9	G1/8	--
GT-NR10L	Round	588	116	4 - 6 (58 - 87)	12	G1/8	Mounting bracket: GT-NR10H (p.325) Mounting bracket: GT-NR10GR (p.328) Mounting bracket: GT-NR10S (p.326) Mounting bracket: GT-NR10ST2 (p.327) Pressure amplifier: P-10L (p.295)
GT-NR20	Round	1,372	230	5 - 6 (72.5 - 87)	12	G1/8	Mounting bracket: GT-NR20H (p.325) Mounting bracket: GT-NR20S (p.326) Mounting bracket: GT-NR20ST2 (p.327) Pressure amplifier: P-20 (p.295)
GT-NR30	Round	2,744	584	5 - 6 (72.5 - 87)	17	G1/8	Mounting bracket: GT-NR30H (p.325) Mounting bracket: GT-NR30S (p.326) Mounting bracket: GT-NR30ST2 (p.327) Pressure amplifier: P-30 (p.295)
GT-NR50	Round	4,704	1,170	5 - 6 (72.5 - 87)	25.2	G1/4	Mounting bracket: GT-NR50H (p.325) Mounting bracket: GT-NR50ST2 (p.327) Pressure amplifier: P-50 (p.295)
GT-NS3	Square	294	45	4 - 5 (58 - 72.5)	7	G1/8	--
GT-NS5	Square	392	64	4 - 5 (58 - 72.5)	7	G1/8	--
GT-NS7	Square	490	116	4 - 5 (58 - 72.5)	9	G1/8	--
GT-NS10L	Square	588	116	4 - 6 (58 - 87)	12	G1/8	Pressure amplifier: P-10L (p.295)
GT-NS20	Square	1,372	230	5 - 6 (72.5 - 87)	12	G1/8	Pressure amplifier: P-20 (p.295)
GT-NS20H-1	Square	1,372	230	5 - 6 (72.5 - 87)	12	G1/8	Pressure amplifier: P-20 (p.295)
GT-NS30	Square	2,744	584	5 - 6 (72.5 - 87)	17	G1/8	Pressure amplifier: P-30 (p.295)



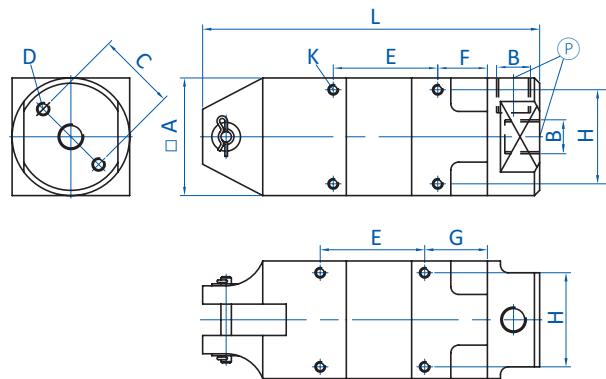
### Application example



### Dimensions



GT-NR3 | GT-NR5 | GT-NR7 | GT-NR10L |  
GT-NR20 | GT-NR30 | GT-NR50



GT-NS3 | GT-NS5 | GT-NS7 | GT-NS10L |  
GT-NS20 | GT-NS20H-1 | GT-NS30

Ⓟ = Compressed air connection

Item no.	A [mm]	B	C [mm]	D	E [mm]	F [mm]	G [mm]	H [mm]	K	L [mm]
GT-NR3	23	G1/8	17	M3	--	--	--	--	--	110
GT-NR5	30	G1/8	20	M4	--	--	--	--	--	94
GT-NR7	34	G1/8	22	M4	--	--	--	--	--	113
GT-NR10L	36	G1/8	24	M4	--	--	--	--	--	113
GT-NR20	45	G1/8	30	M5	--	--	--	--	--	129
GT-NR30	56	G1/8	40	M6	--	--	--	--	--	165
GT-NR50	75	G1/4	50	M8	--	--	--	--	--	222
GT-NS3	23	G1/8	17	M3x8	40	19	24	19	M3x3.5	110
GT-NS5	30	G1/8	20	M4x10	30	14	19	24	M3x5	94
GT-NS7	36	G1/8	24	M4x10	30	18	23	28	M4x5.5	113
GT-NS10L	36	G1/8	24	M4x10	30	18	23	28	M4x5.5	113
GT-NS20	45	G1/8	30	M5x12	40	19	24	36	M4x7	129
GT-NS20H-1	45	G1/8	30	M5x12	40	19	24	36	M4x7	129
GT-NS30	56	G1/8	40	M6x12	60	20	30	46	M5x10	170



# Nipper technology | Air nippers – manual and automatic operation

## Air nippers for manual operation

### Air nippers for manual operation



AIR NIPPERS FOR PLASTIC AND METAL

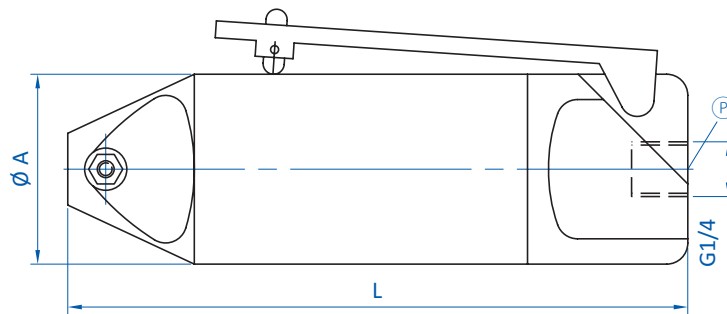
#### Product notes

- > Manually operated air nippers with safety lever
- > Round shaped body with knurling for safe grip
- > GT-N20, N30 and N50 come with stopcock to lock compressed air supply
- > Pressure booster to increase cutting force optionally available

#### Technical data

Item no.	Max. cutting force [N]	Air consumption [cm <sup>3</sup> /stroke]	Operating pressure [bar (psi)]	Height blade [mm]	Connection [G]	Weight [g]	Pressure amplifier	Dimensions	
								Ø A [mm]	L [mm]
GT-N3	294	45	4 - 5 (58 - 72.5)	7	G1/4	100	--	23	112
GT-N5	392	64	4 - 5 (58 - 72.5)	7	G1/4	140	--	30	103
GT-N7	490	116	4 - 5 (58 - 72.5)	9	G1/4	190	--	34	123
GT-N10	588	116	4 - 6 (58 - 87)	9	G1/4	200	P-10L (p.295)	34	132
GT-N12	735	116	5 - 6 (72.5 - 87)	12	G1/4	220	P-10L (p.295)	36	132
GT-N20	1,372	230	5 - 6 (72.5 - 87)	12	G1/4	430	P-20 (p.295)	45	156
GT-N30	2,744	584	5 - 6 (72.5 - 87)	17	G1/4	685	P-30 (p.295)	56	193
GT-N50	4,704	1,220	5 - 6 (72.5 - 87)	25.2	G1/4	1,220	P-50 (p.295)	75	237

#### Dimensions



Ⓟ = Compressed air connection



### Blades for plastic – Series SF-05



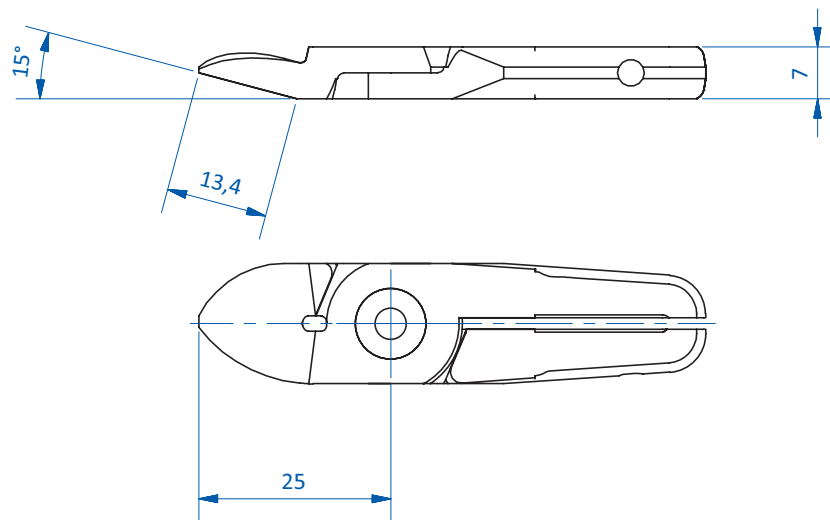
#### Product notes

- > Forged blades from high alloy steel and heat surface treated
- > Suitable for all nippers of the size 5

#### Technical data

Item no.	Plug design	Max. opening width [mm]	Max. sprue diameter [mm]	Material	Weight [g]	Air nippers
SF05.A15.25	15° angle	5	2	Ferrous alloy	34	GT-N5 (p.288) GT-NR5 (p.286) GT-NS5 (p.286)

#### Dimensions





### Blades for plastic – Series SF-10



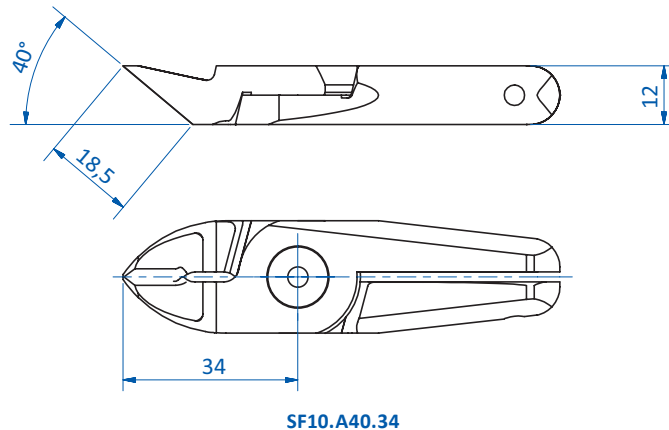
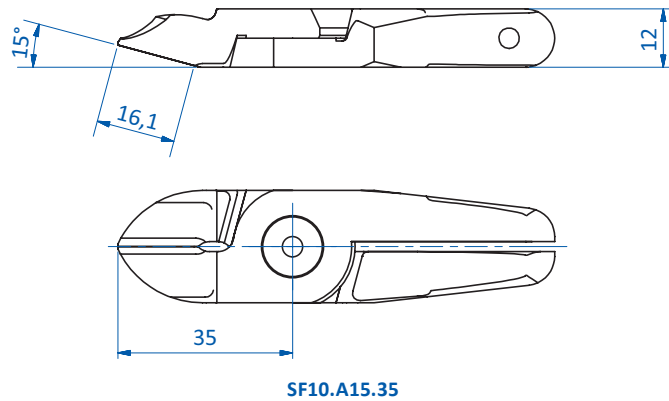
#### Product notes

- > Forged blades from high alloy steel and heat surface treated
- > Suitable for all nippers of the size 10

#### Technical data

Item no.	Plug design	Max. opening width [mm]	Max. sprue diameter [mm]	Material	Weight [g]	Air nippers
SF10.A15.35	15° angle	4.5	3	Ferrous alloy	110	GT-NR10L (p.286) GT-NS10L (p.286)
SF10.A40.34	40° angle	6.5	4	Ferrous alloy	112	GT-NR10L (p.286) GT-NS10L (p.286)

#### Dimensions







### Blades for plastic – Series SF-20



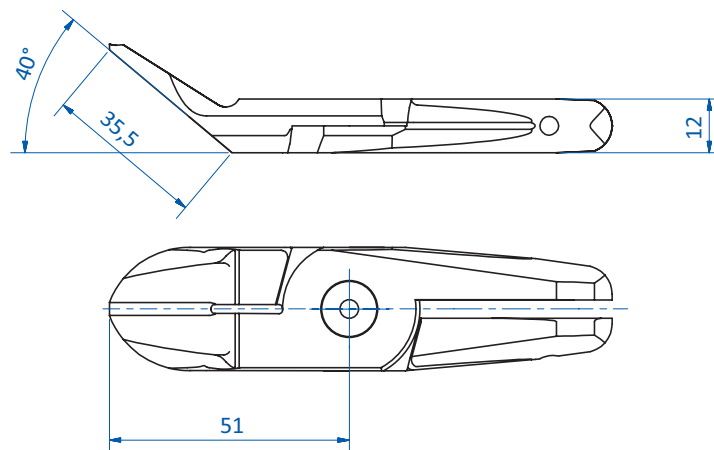
#### Product notes

- > Forged blades from high alloy steel and heat surface treated
- > Suitable for all nippers of the size 20

#### Technical data

Item no.	Plug design	Max. opening width [mm]	Max. sprue diameter [mm]	Material	Weight [g]	Air nippers
<b>SF20.A40.51</b>	40° angle	17	9	Ferrous alloy	170	GT-N20 (p.288), GT-NR20 (p.286), GT-NS20 (p.286)
<b>SF20.A90.41</b>	90° angle	14	8	Ferrous alloy	200	GT-N20 (p.288), GT-NR20 (p.286), GT-NS20 (p.286)
<b>SF20.I36</b>	Inline	11.5	6	Ferrous alloy	120	GT-N20 (p.288), GT-NR20 (p.286), GT-NS20 (p.286)
<b>SF20.I65</b>	Inline	22	8	Ferrous alloy	198	GT-N20 (p.288), GT-NR20 (p.286), GT-NS20 (p.286)
<b>SF20.P48</b>	Perpendicular	16.5	8	Ferrous alloy	178	GT-N20 (p.288), GT-NR20 (p.286), GT-NS20 (p.286)

#### Dimensions

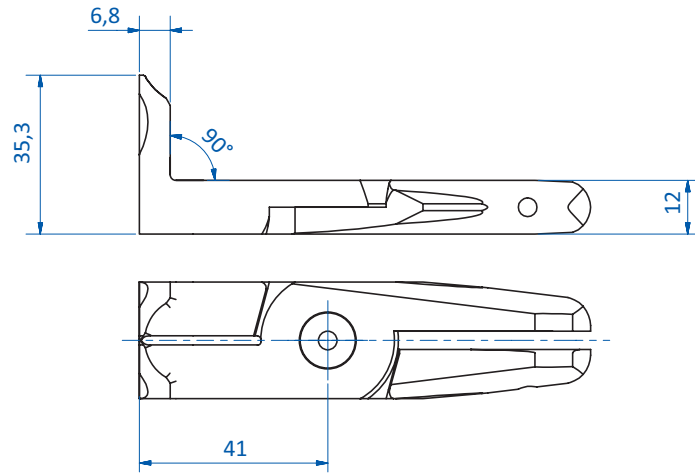


**SF20.A40.51**

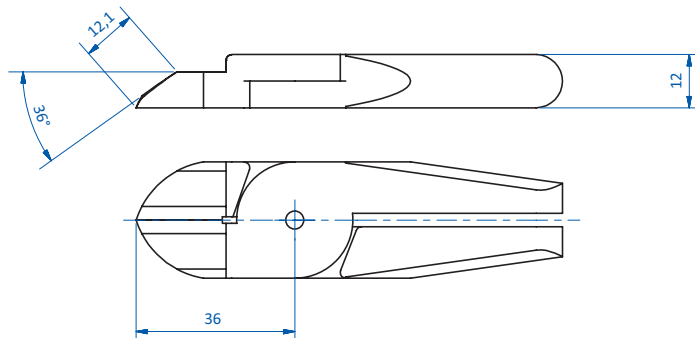
Continued on the next page →



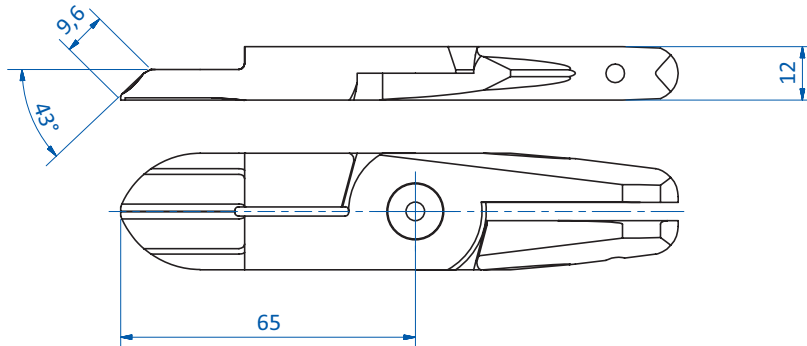
### Dimensions



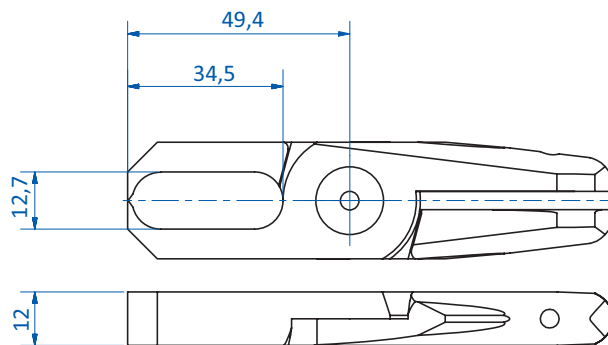
SF20.A90.41



SF20.I36



SF20.I65



SF20.P48



### Blades for plastic – Series SF-30



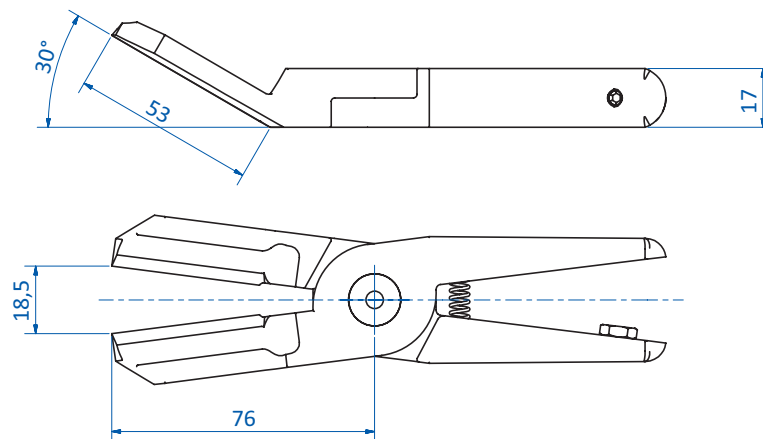
#### Product notes

- > Forged blades from high alloy steel and heat surface treated
- > Suitable for all nippers of the size 30

#### Technical data

Item no.	Plug design	Max. opening width [mm]	Max. sprue diameter [mm]	Material	Weight [g]	Air nippers
<b>SF30.A30.76</b>	30° angle	18.5	9	Ferrous alloy	378	GT-N30 (p.288) GT-NR30 (p.286) GT-NS30 (p.286)
<b>SF30.I53</b>	Inline	12.5	9	Ferrous alloy	365	GT-N30 (p.288) GT-NR30 (p.286) GT-NS30 (p.286)
<b>SF30.I74</b>	Inline	19	9	Ferrous alloy	464	GT-N30 (p.288) GT-NR30 (p.286) GT-NS30 (p.286)
<b>SF30.P45</b>	Perpendicular	10	9	Ferrous alloy	374	GT-N30 (p.288) GT-NR30 (p.286) GT-NS30 (p.286)

#### Dimensions

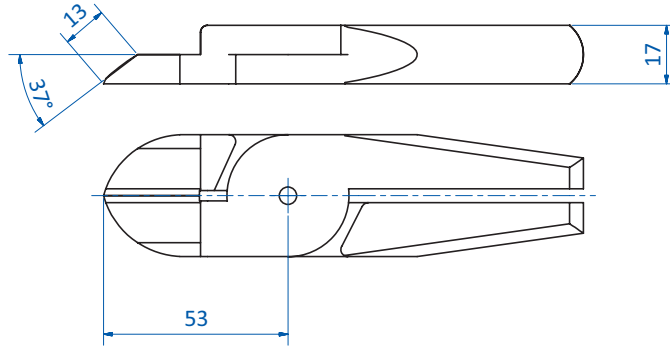


SF30.A30.76

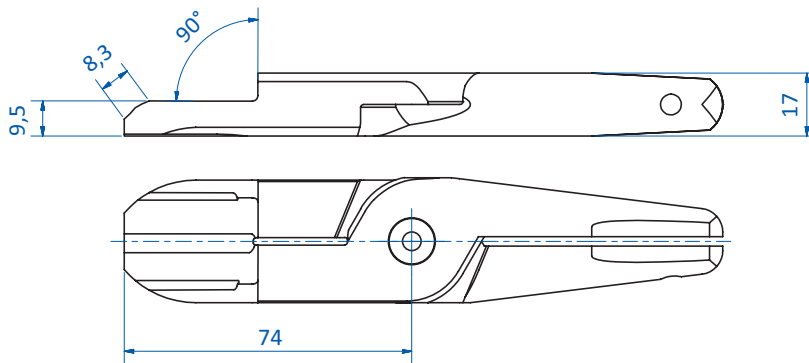
Continued on the next page →



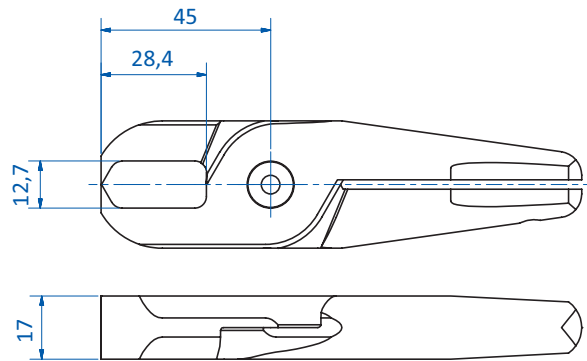
### Dimensions



SF30.I53



SF30.I74



SF30.P45



### Pressure booster for air nippers GT-N, GT-NR, GT-NS



Air nippers GT-NS20 with pressure booster

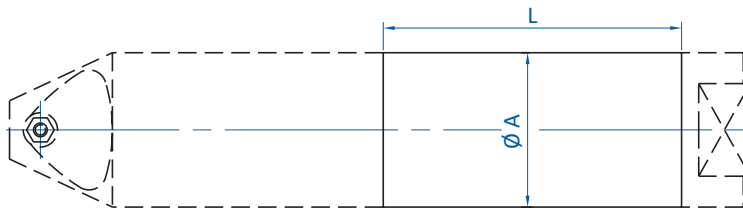
#### Product notes

- > Pressure booster for retrofitting
- > Increase in cutting force if the required cutting force cannot be achieved with a standard nipper
- > Order example air nipper GT-N20 incl. booster P-20: GT-NP20

#### Technical data

Item no.	Total cutting force [N]	Air consumption [cm <sup>3</sup> /stroke]	Weight [g]	Air nippers
P-10L	980	223	110	GT-N10 (p.288) GT-NR10L (p.286) GT-NS10L (p.286) GT-N12 (p.288)
P-20	2,254	508	208	GT-N20 (p.288) GT-NR20 (p.286) GT-NS20 (p.286)
P-30	4,410	956	315	GT-N30 (p.288) GT-NR30 (p.286) GT-NS30 (p.286)
P-50	7,742	2,670	776	GT-N50 (p.288) GT-NR50 (p.286)

#### Dimensions



Item no.	Ø A [mm]	L [mm]
P-10L	36	71
P-20	45	87
P-30	56	92
P-50	75	133



### Blades for plastic, straight



#### Product notes

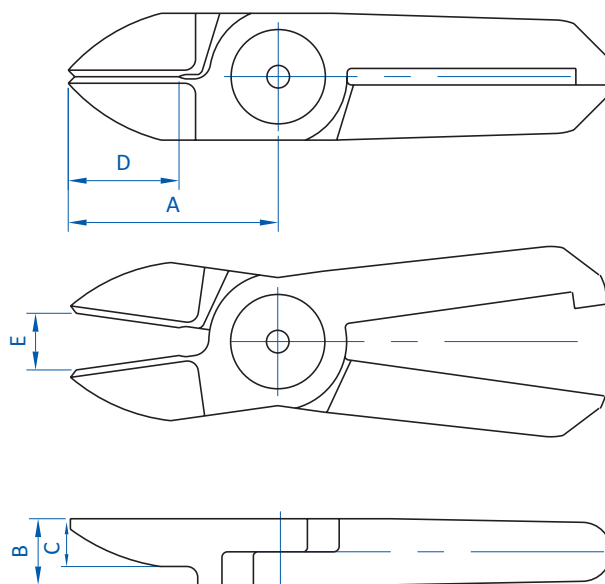
- > Blades with straight cutting edge for clean cuts
- > AJ, LAB2 and AB39: standard blade
- > AJL: blade extra long

#### Technical data

Item no.	Material	Max. cutting thickness [mm]		Weight [g]	Air nippers
		PP/PE	ABS		
<b>N3AJ</b>	Ferrous alloy	2	--	40	GT-N3 (p.288) GT-NR3 (p.286) GT-NS3 (p.286)
<b>N10LAB2</b>	Ferrous alloy	4	2.6	120	GT-NR10L (p.286) GT-NS10L (p.286)
<b>N20AJ</b>	Ferrous alloy	7	5	125	GT-N20 (p.288) GT-NS20 (p.286) GT-NR20 (p.286)
<b>N20AB39</b>	Ferrous alloy	7	5	185	GT-N20 (p.288) GT-NS20 (p.286)
<b>N20AJL</b>	Ferrous alloy	7	5	230	GT-N20 (p.288) GT-NR20 (p.286) GT-NS20 (p.286)
<b>N30AJ</b>	Ferrous alloy	10	6.5	370	GT-N30 (p.288) GT-NR30 (p.286) GT-NS30 (p.286)
<b>N30AJL</b>	Ferrous alloy	10	6.5	470	GT-N30 (p.288) GT-NR30 (p.286) GT-NS30 (p.286)
<b>N50AJL</b>	Ferrous alloy	15	8	1,430	GT-N50 (p.288) GT-NR50 (p.286)



## Dimensions



Item no.	A [mm]	B [mm]	C [mm]	D [mm]	E [mm]
N3AJ	24	7	4	12	5.5
N10LAB2	61	12	7	36	10
N20AJ	35	12	8	18	11
N20AB39	61	12	7	36	14
N20AJL	65	12	7	20	16
N30AJ	52	17	8	28	11
N30AJL	75	17	8	25	19
N50AJL	110	25	15	35	26

## Blades for plastic, angled



Model PF

### Product notes

- > Blades with angled cutting edge
- > Model PF: blades with deep angle
- > All other blades with standard angle

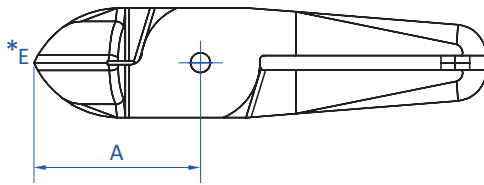
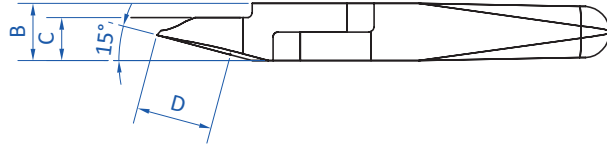
### Technical data

Item no.	Material	Max. cutting thickness [mm]		Weight [g]	Air nippers
		PP/PE	ABS		
<b>N3AP</b>	Ferrous alloy	2	--	35	GT-N3 (p.288), GT-NR3 (p.286), GT-NS3 (p.286)
<b>N5AP</b>	Ferrous alloy	2	--	40	GT-N5 (p.288), GT-NR5 (p.286), GT-NS5 (p.286)
<b>N7AP</b>	Ferrous alloy	3	2	80	GT-N7 (p.288), GT-NR7 (p.286), GT-NS7 (p.286)
<b>N7PF</b>	Ferrous alloy	3	2	80	GT-N7 (p.288), GT-NR7 (p.286), GT-NS7 (p.286)
<b>N10AP</b>	Ferrous alloy	4	2.6	85	GT-N10 (p.288)
<b>N10LAB152</b>	Ferrous alloy	4	2.6	165	GT-NR10L (p.286)
<b>N10LAP</b>	Ferrous alloy	4	2.6	120	GT-NR10L (p.286), GT-NS10L (p.286)
<b>N10LPF</b>	Ferrous alloy	4	2.6	120	GT-NR10L (p.286), GT-NS10L (p.286)
<b>N12AP</b>	Ferrous alloy	4.5	4	135	GT-N12 (p.288)
<b>N20AA239</b>	Ferrous alloy	6	4	195	GT-N20 (p.288), GT-NS20 (p.286)
<b>N20AA27</b>	Ferrous alloy	6.5	4.5	145	GT-N20 (p.288), GT-NS20 (p.286)
<b>N20AB360</b>	Ferrous alloy	7	5	185	GT-NS20 (p.286)
<b>N20AP</b>	Ferrous alloy	7	5	125	GT-NS20 (p.286), GT-N20 (p.288), GT-NR20 (p.286)
<b>N20PF</b>	Ferrous alloy	7	5	130	GT-N20 (p.288), GT-NR20 (p.286), GT-NS20 (p.286)
<b>N30AA114</b>	Ferrous alloy	10	6.5	385	GT-N30 (p.288), GT-NR30 (p.286), GT-NS30 (p.286)
<b>N30AP</b>	Ferrous alloy	10	6.5	380	GT-N30 (p.288), GT-NR30 (p.286), GT-NS30 (p.286)
<b>N30PF</b>	Ferrous alloy	10	6.5	390	GT-N30 (p.288), GT-NR30 (p.286), GT-NS30 (p.286)
<b>N50AB</b>	HSS steel	15	8	1,100	GT-N50 (p.288), GT-NR50 (p.286)
<b>N50ABH41</b>	HSS steel	18	8	1,000	GT-N50 (p.288), GT-NR50 (p.286)

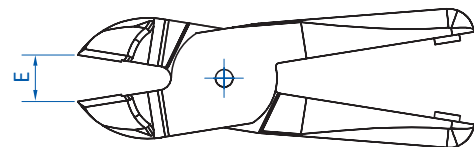
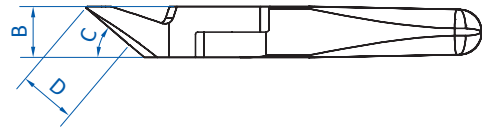
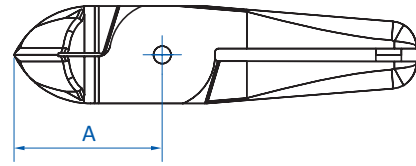




## Dimensions



N3AP | N5AP | N7AP | N10AP | N10LAP | N12AP | N20AP | N30AP



N7PF | N10LPF | N20PF | N30PF

\* = width of opening

Item no.	A [mm]	B [mm]	C [°]	D [mm]	E [mm]
N3AP	24	7	15	11.5	4
N5AP	24	7	15	11.5	4
N7AP	27	9	30	11.5	4
N7PF	27	9	40	10.5	4
N10AP	27	9	30	11.5	5
N10LAB152	61	12	15	35	10
N10LAP	35	12	15	16	5
N10LPF	35	12	40	13.5	5
N12AP	35	12	15	16	5
N20AA239	52.3	12	40	27	14
N20AA27	45	12	23	25	12
N20AB360	61	12	15	35	16
N20AP	35	12	15	16	11
N20PF	35	12	40	13.5	11
N30AA114	76.3	17	30	50	20
N30AP	66	17	15	38	16
N30PF	58	17	30	25	15
N50AB	90	25	30	29	21
N50ABH41	119.6	25	30	40	29



### Blades for plastic, laterally facing



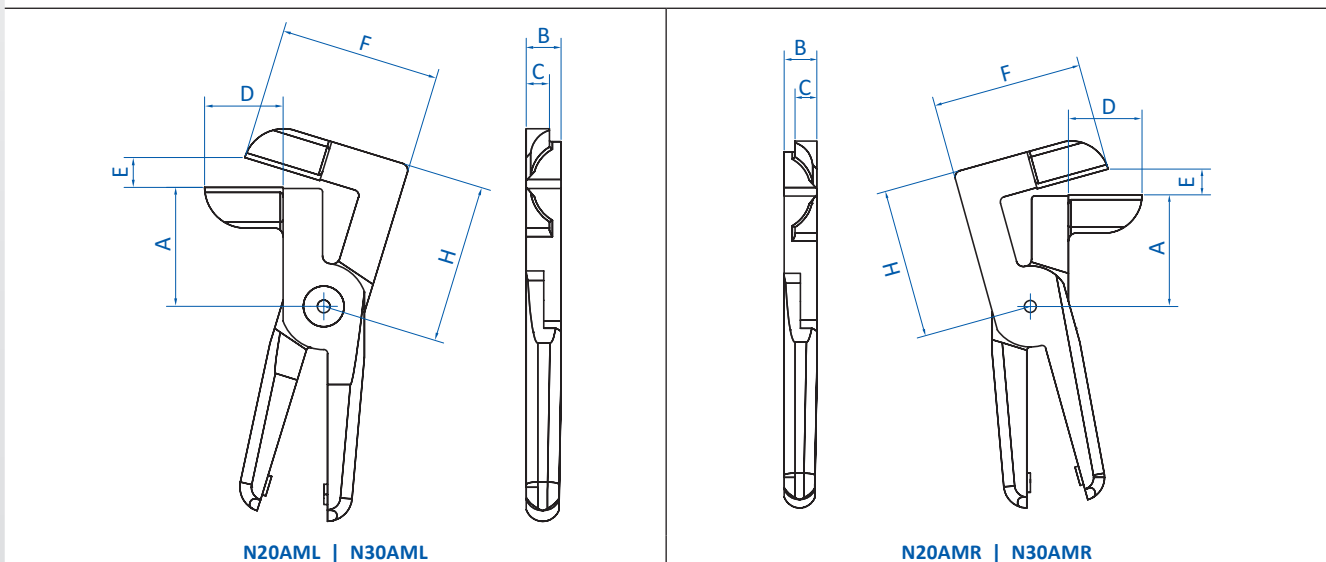
#### Product notes

- > Blades with 90° bend cutting edge for sprues in restricted spaces, e.g. sprues of two opposing parts
- > AML: blade with left orientation
- > AMR: blade with right orientation

#### Technical data

Item no.	Material	Max. cutting thickness [mm]		Weight [g]	Air nippers
		PP/PE	ABS		
N20AML	Ferrous alloy	10x1.5	8x1	270	GT-N20 (p.288), GT-NR20 (p.286), GT-NS20 (p.286)
N20AMR	Ferrous alloy	10x1.5	8x1	270	GT-NR20 (p.286), GT-NS20 (p.286), GT-N20 (p.288)
N30AML	Ferrous alloy	15x2	10x1.5	520	GT-N30 (p.288), GT-NR30 (p.286), GT-NS30 (p.286)
N30AMR	Ferrous alloy	15x2	10x1.5	520	GT-N30 (p.288), GT-NR30 (p.286), GT-NS30 (p.286)

#### Dimensions



Item no.	A [mm]	B [mm]	C [mm]	D [mm]	E [mm]	F [mm]	H [mm]
N20AML	41	12	8	27	9.5	55	55
N20AMR	41	12	8	27	9.5	55	55
N30AML	39	17	10	36	13	68	55
N30AMR	39	17	10	36	13	68	55



## Blades for plastic, L-shape



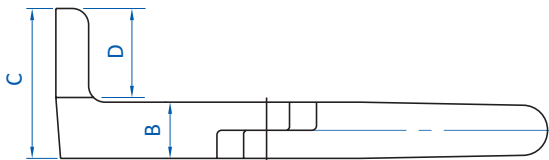
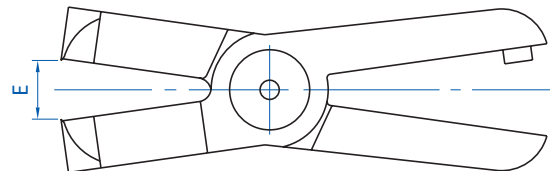
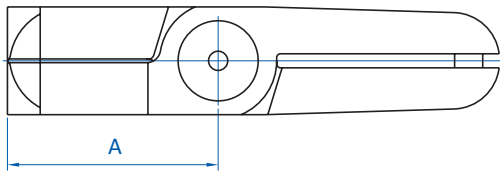
### Product notes

> Long blades with 90° angle for clean cuts

### Technical data

Item no.	Material	Max. cutting thickness [mm]		Weight [g]	Air nippers
		PP/PE	ABS		
<b>N20AL</b>	Ferrous alloy	7	5	135	GT-N20 (p.288) GT-NR20 (p.286) GT-NS20 (p.286)
<b>N30AL525</b>	Ferrous alloy	10	6.5	395	GT-N30 (p.288) GT-NR30 (p.286) GT-NS30 (p.286)

### Dimensions



Item no.	A [mm]	B [mm]	C [mm]	D [mm]	E [mm]
<b>N20AL</b>	45	12	32	18	12
<b>N30AL525</b>	60	26	62	36	16



### Singular blades for plastic, Z-shape



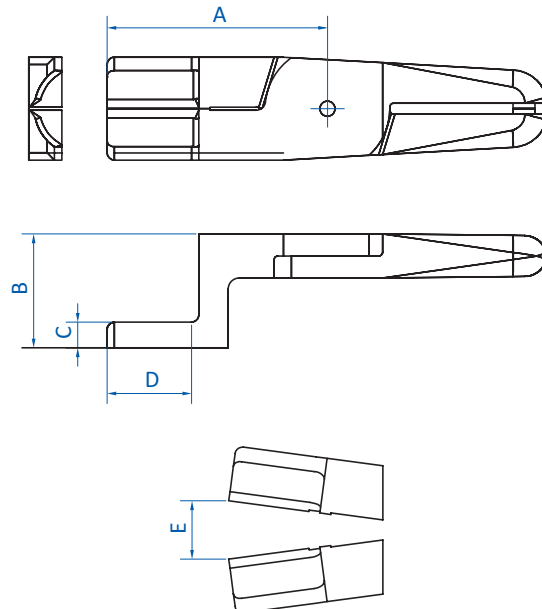
#### Product notes

> Blades with offset cutting edge for overcoming obstacles or for narrow sprues

#### Technical data

Item no.	Material	Max. cutting thickness [mm]		Weight [g]	Air nippers
		PP/PE	ABS		
<b>N20AH</b>	Ferrous alloy	7	5	240	GT-N20 (p.288) GT-NR20 (p.286) GT-NS20 (p.286)
<b>N30AH</b>	Ferrous alloy	10	6.5	450	GT-N30 (p.288) GT-NR30 (p.286) GT-NS30 (p.286)

#### Dimensions



Item no.	A [mm]	B [mm]	C [mm]	D [mm]	E [mm]
<b>N20AH</b>	60	31	7	23	16
<b>N30AH</b>	80	65	8	34	22



## Blades for plastic, nipper style



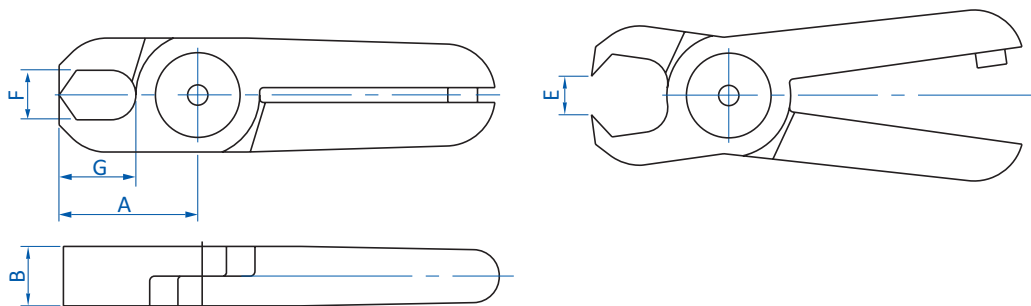
### Product notes

> Blades, nipper style, for cutting applications

### Technical data

Item no.	Material	Max. cutting thickness [mm]		Weight [g]	Air nippers
		PP/PE	ABS		
N3AE	Ferrous alloy	2	--	35	GT-N3 (p.288), GT-NR3 (p.286), GT-NS3 (p.286)
N5AE	Ferrous alloy	2	--	40	GT-N5 (p.288), GT-NR5 (p.286), GT-NS5 (p.286)
N7AE	Ferrous alloy	3	2	85	GT-N7 (p.288), GT-NR7 (p.286), GT-NS7 (p.286)
N10AE	Ferrous alloy	4	2.6	120	GT-N10 (p.288), GT-NR10L (p.286), GT-NS10L (p.286)
N20AE	Ferrous alloy	7	5	135	GT-N20 (p.288), GT-NR20 (p.286), GT-NS20 (p.286)
N30AE	Ferrous alloy	10	6.5	395	GT-N30 (p.288), GT-NR30 (p.286), GT-NS30 (p.286)
N50AE	Ferrous alloy	12	6.5	1,000	GT-N50 (p.288), GT-NR50 (p.286)

### Dimensions



Item no.	A [mm]	B [mm]	F x G [mm]	E [mm]
N3AE	20	7	6x6.6	3.5
N5AE	20	7	6x6.6	3.5
N7AE	26	9	8x8.8	4
N10AE	26	9	8x15.5	10
N20AE	28	12	10x15.5	8
N30AE	45	17	13x28	12
N50AE	128	25	25x90	30



### Blades for metal, straight



Model BJ

### Product notes

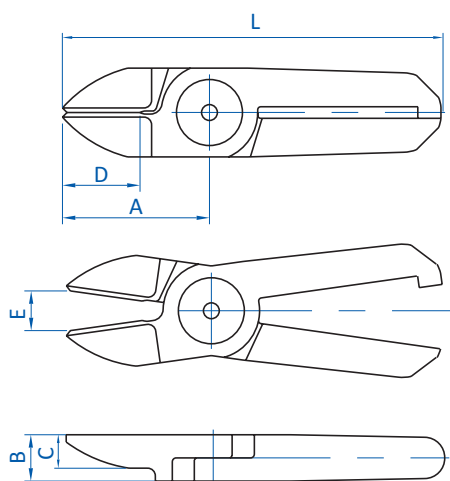
- > Straight blades with one unbeveled cutting edge using the anvil principle or with carbide tips for extra strength
- > BJ: blades using anvil principle to cut thin wire
- > N20BFB and N50AS: blades in clipper type shape with carbide tips to cut thicker wire or thin pipes

### Technical data

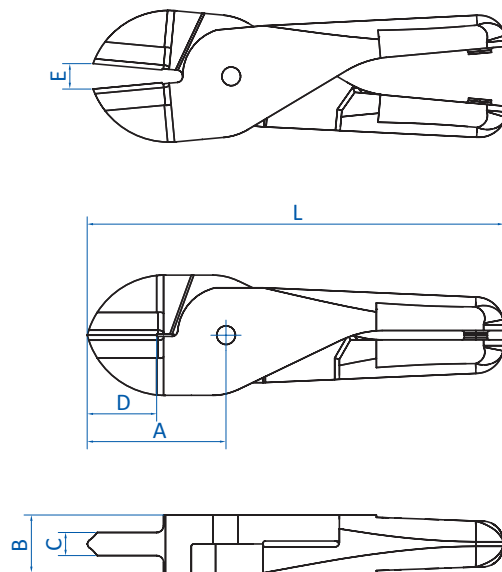
Item no.	Material	Max. cutting thickness [mm]			Weight [g]	Air nippers
		Copper wire	Steel wire	Piano wire		
<b>N3BJ</b>	Ferrous alloy	1	0.5	--	35	GT-N3 (p.288) GT-NR3 (p.286) GT-NS3 (p.286)
<b>N5BJ</b>	Ferrous alloy	1	0.5	--	40	GT-N5 (p.288) GT-NR5 (p.286) GT-NS5 (p.286)
<b>N7BJ</b>	Ferrous alloy	1.6	1	--	75	GT-N7 (p.288) GT-NR7 (p.286) GT-NS7 (p.286)
<b>N20BFB</b>	Sintered alloy	2.6	2	1.2	150	GT-N20 (p.288) GT-NR20 (p.286) GT-NS20 (p.286)
<b>N50AS</b>	Ferrous alloy	5.5	4.5	--	950	GT-N50 (p.288) GT-NR50 (p.286)



## Dimensions



N3BJ | N5BJ | N7BJ



N20BFB | N50AS

Item no.	A [mm]	B [mm]	C [mm]	D [mm]	E [mm]	L [mm]
N3BJ	24	7	5.8	13	5	64
N5BJ	24	7	5.8	13	4	64
N7BJ	27	9	7.5	13	5	81
N20BFB	35	12	5	17	8	95
N50AS	60	25	10	30	11	180

## Blades for metal, angled



### Product notes

- > Blades with a beveled cutting edge using the anvil principle
- > N30BBB and N50BBB: blades with carbide tips to cut hard wire such as high steel wire or piano wire

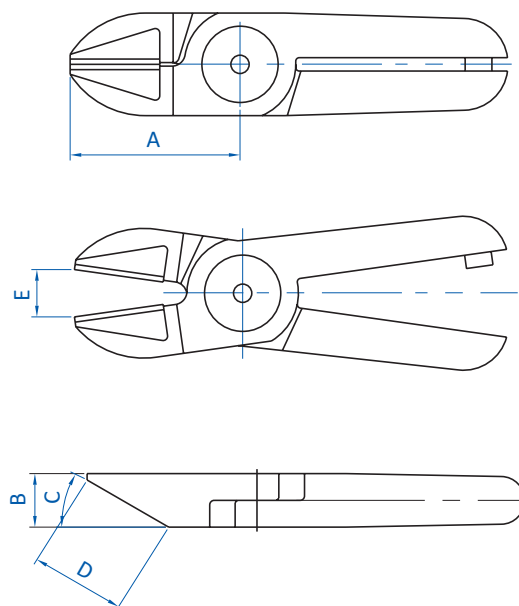
### Technical data

Item no.	Material	Max. cutting thickness [mm]			Weight [g]	Air nippers
		Copper wire	Steel wire	Piano wire		
<b>N3AS</b>	Ferrous alloy	1	0.5	--	35	GT-N3 (p.288), GT-NR3 (p.286), GT-NS3 (p.286)
<b>N3HS</b>	HSS steel	1	0.5	0.2	35	GT-N3 (p.288), GT-NR3 (p.286), GT-NS3 (p.286)
<b>N5AS</b>	Ferrous alloy	1	0.5	--	40	GT-N5 (p.288), GT-NR5 (p.286), GT-NS5 (p.286)
<b>N5HS</b>	HSS steel	1	0.5	0.3	40	GT-N5 (p.288), GT-NR5 (p.286), GT-NS5 (p.286)
<b>N7AS</b>	Ferrous alloy	1.6	1	--	80	GT-N7 (p.288), GT-NR7 (p.286), GT-NS7 (p.286)
<b>N7HS</b>	HSS steel	1.6	1	0.5	80	GT-N7 (p.288), GT-NR7 (p.286), GT-NS7 (p.286)
<b>N10AS</b>	Ferrous alloy	1.8	1.2	--	85	GT-N10 (p.288)
<b>N10HS</b>	HSS steel	2.3	1.7	--	85	GT-N10 (p.288)
<b>N10LAS</b>	Ferrous alloy	1.8	1.2	--	120	GT-NR10L (p.286), GT-NS10L (p.286)
<b>N12AS</b>	Ferrous alloy	2.3	1.7	--	135	GT-N12 (p.288)
<b>N12HS</b>	HSS steel	1.3	2.7	--	95	GT-N12 (p.288)
<b>N20AS</b>	Ferrous alloy	2.6	2	--	140	GT-N20 (p.288), GT-NR20 (p.286), GT-NS20 (p.286)
<b>N20HS</b>	HSS steel	2.6	2	1	135	GT-N20 (p.288), GT-NR20 (p.286), GT-NS20 (p.286)
<b>N30AS</b>	Ferrous alloy	3.3	2.8	--	370	GT-N30 (p.288), GT-NR30 (p.286), GT-NS30 (p.286)
<b>N30BBB</b>	Sintered alloy	3.3	2.8	1.2	365	GT-N30 (p.288), GT-NR30 (p.286), GT-NS30 (p.286)
<b>N50BBB</b>	Sintered alloy	5.5	4.5	2	955	GT-N50 (p.288), GT-NR50 (p.286)





## Dimensions



Item no.	A [mm]	B [mm]	C [°]	D [mm]	E [mm]
N3AS	24	7	25	12	4
N3HS	24	7	25	12	4
N5AS	24	7	25	12	4
N5HS	24	7	25	12	4
N7AS	27	9	30	13.5	4
N7HS	27	9	30	13.5	4
N10AS	27	9	30	13.5	5
N10HS	27	9	30	13.5	5
N10LAS	35	12	30	20	5
N12AS	35	12	30	20	5
N12HS	35	12	30	20	9
N20AS	35	12	30	20	9
N20HS	26	12	40	10	7
N30AS	43	17	30	25	9
N30BBB	36	17	40	18	7
N50BBB	46	25	35	19	9



# Nipper technology | Air nippers – stationary

Stationary air nippers – horizontal without stroke

## Stationary air nippers – horizontal without stroke

AIR NIPPERS FOR PLASTIC AND METAL



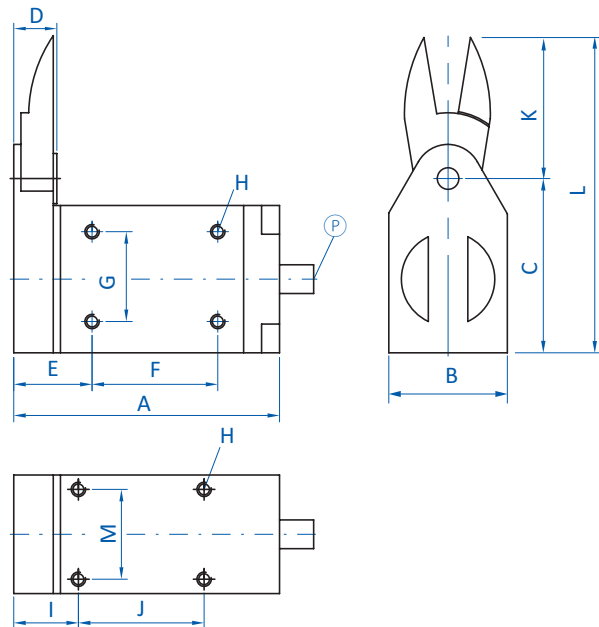
### Product notes

- > Nippers, lightweight and compact, for easy installation in restricted spaces
- > To be used with cutting stations or automated equipment
- > Mounting holes at three sides
- > Max. blade opening and nipper length "K" refer to blades with index "AJ" resp. "RAJ"
- > Blades are not included in the scope of delivery. Please order separately.

### Technical data

Item no.	Max. cutting force [N]	Air consumption [cm <sup>3</sup> /stroke]	Operating pressure [bar (psi)]	Max. opening for cutting [mm]	Pipe connection [mm]	Weight [g]
GT-NF05	343	43	4 - 5 (58 - 72.5)	4	4	101
GT-NF10	490	63	4 - 5 (58 - 72.5)	6	4	143
GT-NF15	784	128	4 - 5 (58 - 72.5)	8	4	219

### Dimensions



Ⓟ = Compressed air connection 4 mm x 2.5 mm

Item no.	A [mm]	B [mm]	C [mm]	D [mm]	E [mm]	F [mm]	G [mm]	H	I [mm]	J [mm]	K [mm]	L [mm]	M [mm]
GT-NF05	59.9	23	39.5	8.6	25.9	17	26	M3	21.9	17	22	61.5	18
GT-NF10	65.1	28	43.5	8.8	27.1	20	30	M3.5	23.1	20	24	67.5	22
GT-NF15	73	33	48.5	10.2	29	25	34	M4	25	25	27	75.5	26



### Stationary air nippers – horizontal with stroke



#### Product notes

- > Nippers, lightweight and compact, for easy assembly in restricted spaces
- > To be used with cutting stations or automated equipment
- > Stroke single-acting with return spring
- > Horizontal, adjustable stroke enables cutting flush to the workpiece
- > Connection via hose nipples or quick fittings
- > Version (-R): push stroke models
- > All others: pull stroke models
- > Max. opening width and length "K" refer to blades with index "AJ" or "RAJ"
- > Blades are not included in the scope of delivery. Please order separately.

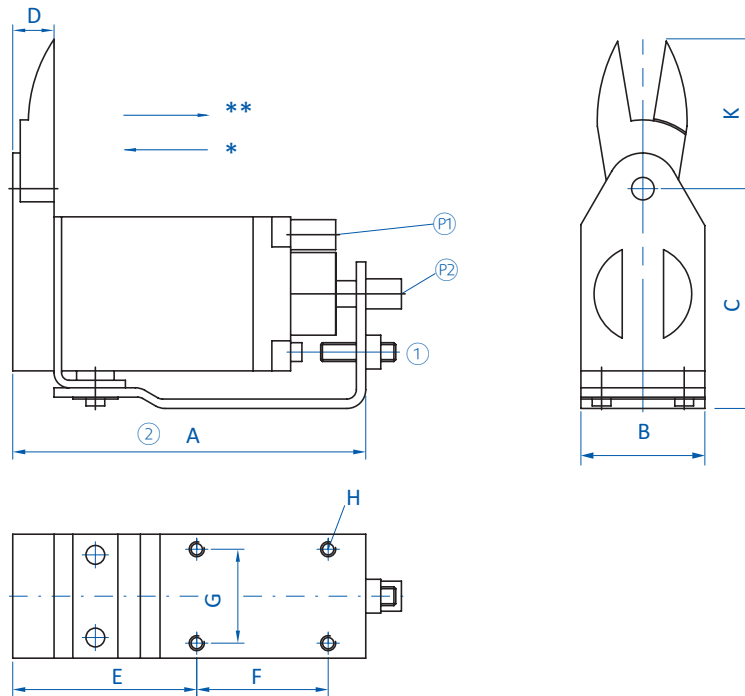
#### Technical data

Item no.	Max. cutting force [N]	Air consumption [cm <sup>3</sup> /stroke]	Max. stroke [mm]	Operating pressure [bar (psi)]	Pipe connection with hose nipple [mm]	Pipe connection with quick connect fittings [mm]	Weight [g]
GT-NY05	343	48	3	4 - 5 (58 - 72.5)	2.5	--	155
GT-NY05R	343	48	3	4 - 5 (58 - 72.5)	2.5	--	155
GT-NY05-4	343	48	3	4 - 5 (58 - 72.5)	--	4x2,5	155
GT-NY05R-4	343	48	3	4 - 5 (58 - 72.5)	--	4x2,5	155
GT-NY10	490	68	3	4 - 5 (58 - 72.5)	2.5	--	210
GT-NY10R	490	68	3	4 - 5 (58 - 72.5)	2.5	--	210
GT-NY10-4	490	68	3	4 - 5 (58 - 72.5)	--	4x2,5	210
GT-NY10R-4	490	68	3	4 - 5 (58 - 72.5)	--	4x2,5	210
GT-NY15	784	136	3	4 - 5 (58 - 72.5)	2.5	--	319
GT-NY15R	784	136	3	4 - 5 (58 - 72.5)	2.5	--	319
GT-NY15-4	784	136	3	4 - 5 (58 - 72.5)	--	4x2,5	319
GT-NY15R-4	784	136	3	4 - 5 (58 - 72.5)	--	4x2,5	319
GT-NY25	980	184	5	5 - 6 (72.5 - 87)	4	--	580
GT-NY25R	980	184	5	5 - 6 (72.5 - 87)	4	--	580
GT-NY25-6	980	184	5	5 - 6 (72.5 - 87)	--	6x4	580
GT-NY25R-6	980	184	5	5 - 6 (72.5 - 87)	--	6x4	580

Continued on the next page →



### Dimensions



Ⓟ = Compressed air connection for cutting Ⓠ = Compressed air connection for stroke \* = Push stroke (Version -R) \*\* = Pull stroke  
 ① = Stroke adjustment  
 ② = Models NY: A = Distance from start of nipper to cutting position / Models NY-R: A = Distance from start of nipper to starting position

Item no.	A [mm]	B [mm]	C [mm]	D [mm]	E [mm]	F [mm]	G [mm]	H	K [mm]
GT-NY05	75.9	23	48	8.6	41	25	15	M4	22
GT-NY05R	75.9	23	48	8.6	41	25	15	M4	22
GT-NY05-4	75.9	23	48	8.6	41	25	15	M4	22
GT-NY05R-4	75.9	23	48	8.6	41	25	15	M4	22
GT-NY10	82.1	28	52	8.8	42	30	20	M4	24
GT-NY10R	82.1	28	52	8.8	42	30	20	M4	24
GT-NY10-4	82.1	28	52	8.8	42	30	20	M4	24
GT-NY10R-4	82.1	28	52	8.8	42	30	20	M4	24
GT-NY15	93	33	58	10	48	35	25	M4	27
GT-NY15R	93	33	58	10	48	35	25	M4	27
GT-NY15-4	93	33	58	10	48	35	25	M4	27
GT-NY15R-4	93	33	58	10	48	35	25	M4	27
GT-NY25	109	42	69	13	55	40	30	M5	31
GT-NY25R	109	42	69	13	55	40	30	M5	31
GT-NY25-6	109	42	69	13	55	40	30	M5	31
GT-NY25R-6	109	42	69	13	55	40	30	M5	31



## Blades for plastic, straight



## Product notes

- > Straight blades that can be applied at the right angle to the gate
- > Models with a variety of cutting edges to cover different applications
- > AJ: standard blade
- > RAJ: reverse cutting edge if cutting flush to workpiece with blade "AJ" is not possible
- > AJT: blade extra thin
- > AJL: blade extra long to overcome distance between sprue and nipper
- > AJB:
  - Soldered carbide tips for cutting hard plastics or plastics containing fiberglass
  - Higher lifetime in demanding applications

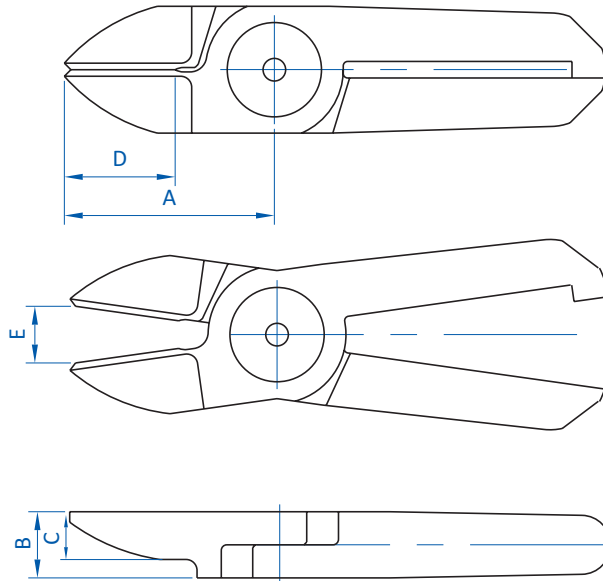
## Technical data

Item no.	Material	Max. cutting thickness [mm]		Weight [g]	Air nippers
		PP/PE	ABS		
NY05AJ	Ferrous alloy	3	2	22	GT-NF05 (p.308), GT-NY05 (p.309), GT-NY05-4 (p.309)
NY05AJB	Ferrous alloy	3	2	22	GT-NF05 (p.308), GT-NY05 (p.309), GT-NY05-4 (p.309)
NY05AJL	Ferrous alloy	3	2	29	GT-NF05 (p.308), GT-NY05 (p.309), GT-NY05-4 (p.309)
NY05AJT	Ferrous alloy	3	2	21	GT-NF05 (p.308), GT-NY05 (p.309), GT-NY05-4 (p.309)
NY05RAJ	Ferrous alloy	3	2	22	GT-NF05 (p.308), GT-NY05-4 (p.309), GT-NY05R (p.309), GT-NY05R-4 (p.309)
NY10AJ	Ferrous alloy	3.5	2.3	28	GT-NF10 (p.308), GT-NY10 (p.309), GT-NY10-4 (p.309)
NY10AJB	Sintered alloy	3.5	2.3	28	GT-NF10 (p.308), GT-NY10-4 (p.309), GT-NY10R (p.309)
NY10AJL	Ferrous alloy	3.5	2.3	37	GT-NF10 (p.308), GT-NY10 (p.309), GT-NY10-4 (p.309)
NY10AJT	Ferrous alloy	3.5	2.3	26	GT-NF10 (p.308), GT-NY10 (p.309), GT-NY10-4 (p.309)
NY10RAJ	Ferrous alloy	3.5	2.3	28	GT-NF10 (p.308), GT-NY10R (p.309), GT-NY10R-4 (p.309)
NY15AJ	Ferrous alloy	4	2.6	41	GT-NF15 (p.308), GT-NY15 (p.309), GT-NY15-4 (p.309)
NY15AJB	Sintered alloy	4	2.6	41	GT-NF15 (p.308), GT-NY15-4 (p.309), GT-NY15R (p.309)
NY15AJL	Ferrous alloy	4	2.6	50	GT-NF15 (p.308), GT-NY15 (p.309), GT-NY15-4 (p.309)
NY15RAJ	Ferrous alloy	4	2.6	41	GT-NF15 (p.308), GT-NY15R (p.309), GT-NY15R-4 (p.309)
NY15AJT	Ferrous alloy	4	2.6	38	GT-NF15 (p.308), GT-NY15 (p.309), GT-NY15R-4 (p.309)
NY25AJ	Ferrous alloy	5	3.4	77	GT-NY25 (p.309), GT-NY25-6 (p.309)
NY25RAJ	Ferrous alloy	5	3.4	77	GT-NY25 (p.309), GT-NY25R-6 (p.309)
NY25AJB	Sintered alloy	5	3.4	77	GT-NY25 (p.309), GT-NY25R-6 (p.309)
NY25AJL	Ferrous alloy	5	3.4	88	GT-NY25 (p.309), GT-NY25-6 (p.309)

Continued on the next page →



### Dimensions



Item no.	A [mm]	B [mm]	C [mm]	D [mm]	E [mm]
NY05AJ	22	7	5	10.5	4
NY05AJB	22	7	5	10.5	4
NY05AJL	31	7	5	10.5	5.5
NY05AJT	22	7	3	10.5	4
NY05RAJ	22	7	5	10.5	4
NY10AJ	24	7.2	5	12	6
NY10AJB	24	7.2	5	12	6
NY10AJL	33	7.2	5	12	8
NY10AJT	24	7.2	3	12	6
NY10RAJ	24	7.2	5	12	6
NY15AJ	27	8.2	5.5	13	8
NY15AJB	27	8.2	5.5	13	8
NY15AJL	38	8.2	5.5	13	11
NY15RAJ	27	8.2	5.5	13	8
NY15AJT	27	8.2	3.5	13	8
NY25AJ	31	10	6	16	9
NY25RAJ	31	10	6	16	9
NY25AJB	31	10	6	16	9
NY25AJL	46	10	6	16	13



### Blades for plastic, Z-shape



#### Product notes

- > Blades with offset cutting edge for overcoming obstacles or for narrow sprues
- > AH: standard blade
- > RAH: reverse cutting edge if cutting flush to workpiece with blade "AH" is not possible

#### Technical data

Item no.	Material	Max. cutting thickness [mm]		Weight [g]	Air nippers
		PP/PE	ABS		
<b>NY05AH</b>	Ferrous alloy	3	2	37	GT-NF05 (p.308) GT-NY05-4 (p.309) GT-NY05 (p.309)
<b>NY05RAH</b>	Ferrous alloy	3	2	31	GT-NF05 (p.308) GT-NY05R-4 (p.309) GT-NY05R (p.309)
<b>NY10AH</b>	Ferrous alloy	3.5	2.3	43	GT-NF10 (p.308) GT-NY10-4 (p.309) GT-NY10 (p.309)
<b>NY10RAH</b>	Ferrous alloy	3.5	2.3	40	GT-NF10 (p.308) GT-NY10R (p.309) GT-NY10R-4 (p.309)
<b>NY15AH</b>	Ferrous alloy	4	2.6	76	GT-NF15 (p.308) GT-NY15-4 (p.309) GT-NY15 (p.309)
<b>NY15RAH</b>	Ferrous alloy	4	2.6	52	GT-NF15 (p.308) GT-NY15R-4 (p.309) GT-NY15R (p.309)
<b>NY25AH</b>	Ferrous alloy	5	3.4	110	GT-NY25 (p.309) GT-NY25-6 (p.309)
<b>NY25RAH</b>	Ferrous alloy	5	3.4	89	GT-NY25 (p.309) GT-NY25R (p.309) GT-NY25R-6 (p.309)

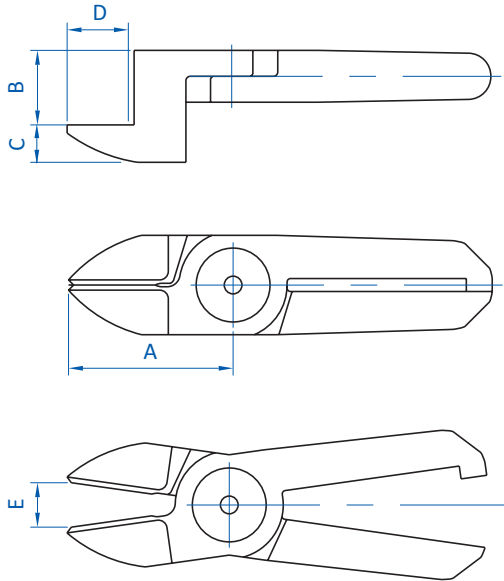
Continued on the next page →



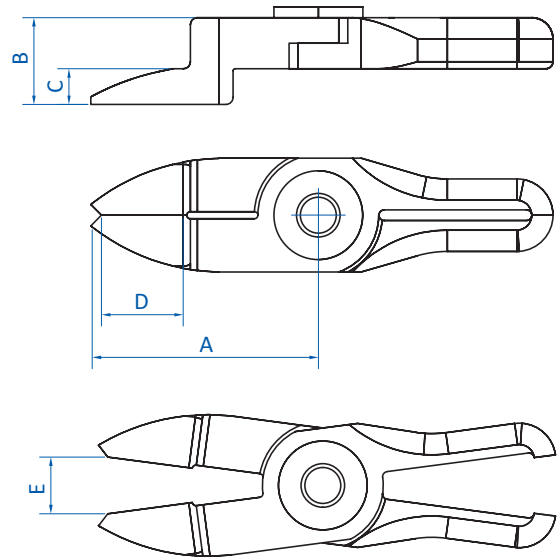
# Nipper technology | Air nippers – stationary

Blades for plastic, Z-shape

## Dimensions



NY05AH | NY10AH | NY15AH | NY25AH



NY05RAH | NY10RAH | NY15RAH | NY25RAH

Item no.	A [mm]	B [mm]	C [mm]	D [mm]	E [mm]
NY05AH	31	14	5	13	5.5
NY05RAH	30	7	5	12	5
NY10AH	33	15	5	15	8
NY10RAH	32	7	5	15	7
NY15AH	38	16	5.5	16	11
NY15RAH	35	7.7	5.5	15	9
NY25AH	46	18	6	19	13
NY25RAH	42	10	5	18	12





### Blades for metal wire, straight



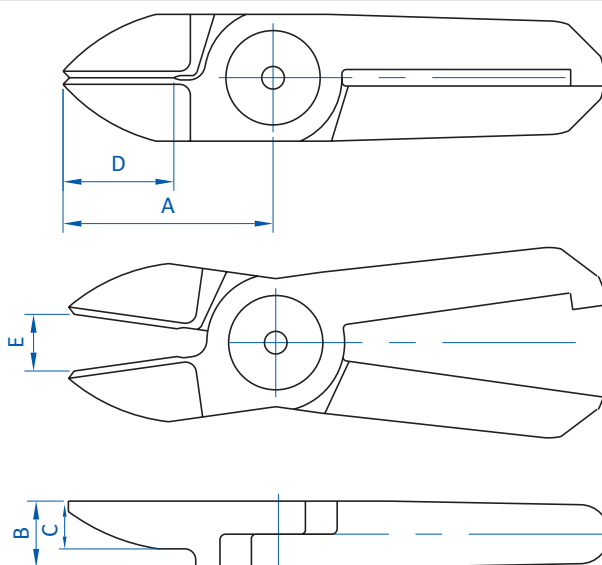
#### Product notes

- > Straight blades that can be applied at the right angle to the gate
- > Blades for cutting metal, unbeveled cutting edge using the anvil principle
- > BJ: standard blade
- > RBJ: reverse cutting edge, if cutting flush to workpiece with blade "BJ" is not possible

#### Technical data

Item no.	Material	Max. cutting thickness [mm]		Weight [g]	Air nippers
		Copper wire	Steel wire		
NY05BJ	Ferrous alloy	1.6	1	22	GT-NF05 (p.308) GT-NY05-4 (p.309) GT-NY05 (p.309)
NY05RBJ	Ferrous alloy	1.6	1	22	GT-NF05 (p.308) GT-NY05R (p.309) GT-NY05R-4 (p.309)

#### Dimensions



Item no.	A [mm]	B [mm]	C [mm]	D [mm]	E [mm]
NY05BJ	22	7	5	9	3.5
NY05RBJ	22	7	5	10.5	4



### Nippers for plastics – vertical, with stroke



**ADJUSTABLE BLADE OPENING AND  
REVERSABLE BLADES**

#### Product notes

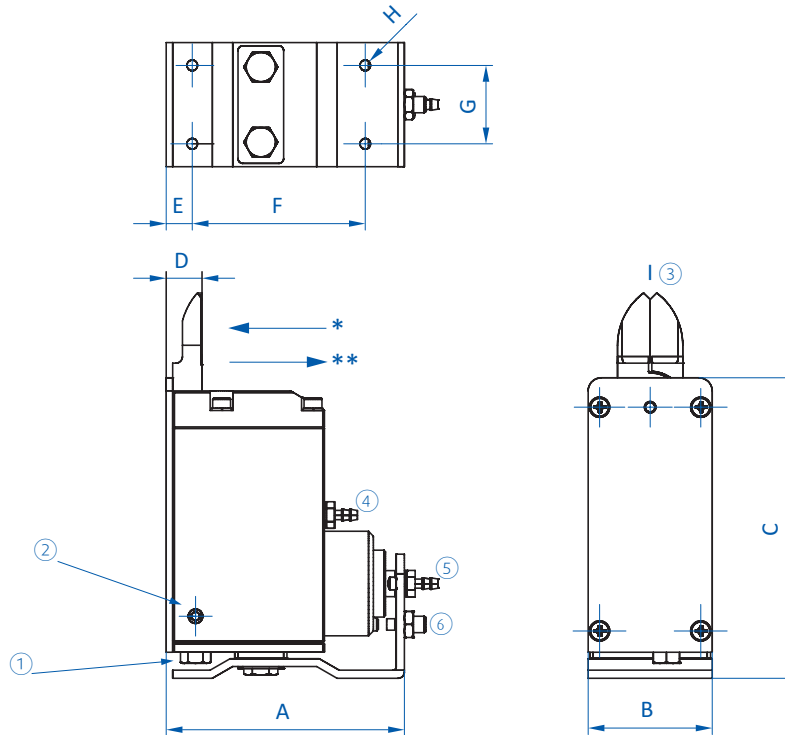
- > Nippers, lightweight and compact, for easy assembly in confined spaces
- > To be used in cutting stations
- > Adjustable horizontal stroke and maximum blade opening
- > Blades can be reversed to enable cutting flush to the workpiece
- > Max. opening width "I" refers to blades with index "AJ"
- > Blades are not included in the scope of delivery. Please order separately.

#### Technical data

Item no.	Max. cutting force [N]	Air consumption [cm <sup>3</sup> /stroke]	Max. opening for cutting [mm]	Stroke [mm]	Effective direction	Operating pressure [bar (psi)]	Pipe connection with hose nipple [mm]	Pipe connection with quick connect fittings [mm]	Weight [g]
GT-NT03	147	27	1.5 - 3	0 - 3	Pull	4 - 5 (58 - 72.5)	2.5	--	178
GT-NT03R	147	27	1.5 - 3	0 - 3	Push	4 - 5 (58 - 72.5)	2.5	--	178
GT-NT03-4	147	27	1.5 - 3	0 - 3	Pull	4 - 5 (58 - 72.5)	--	4x2,5	178
GT-NT03R-4	147	27	1.5 - 3	0 - 3	Push	4 - 5 (58 - 72.5)	--	4x2,5	178
GT-NT05	196	47	3 - 6	0 - 3	Pull	4 - 5 (58 - 72.5)	2.5	--	325
GT-NT05R	196	47	3 - 6	0 - 3	Push	4 - 5 (58 - 72.5)	2.5	--	325
GT-NT05-4	196	47	3 - 6	0 - 3	Pull	4 - 5 (58 - 72.5)	--	4x2,5	325
GT-NT05R-4	196	47	3 - 6	0 - 3	Push	4 - 5 (58 - 72.5)	--	4x2,5	325
GT-NT10	441	82	4 - 7	0 - 3	Pull	4 - 5 (58 - 72.5)	2.5	--	515
GT-NT10R	441	82	4 - 7	0 - 3	Push	4 - 5 (58 - 72.5)	2.5	--	515
GT-NT10-6	441	82	4 - 7	0 - 3	Pull	4 - 5 (58 - 72.5)	--	6x4	515
GT-NT10R-6	441	82	4 - 7	0 - 3	Push	4 - 5 (58 - 72.5)	--	6x4	515
GT-NT20	931	203	4.5 - 9	0 - 8	Pull	5 - 6 (72.5 - 87)	4	--	930
GT-NT20R	931	203	4.5 - 9	0 - 8	Push	5 - 6 (72.5 - 87)	4	--	930
GT-NT20-6	931	203	4.5 - 9	0 - 8	Pull	5 - 6 (72.5 - 87)	--	6x4	930
GT-NT20R-6	931	203	4.5 - 9	0 - 8	Push	5 - 6 (72.5 - 87)	--	6x4	930



### Dimensions



\* = Push stroke \*\* = Pull stroke (Version -R) ① = Blade opening adjustment ② = Locking ③ = Max. blade opening ④ = Connection air nipper  
 ⑤ = Connection stroke movement ⑥ = Stroke adjustment

Item no.	A [mm]	B [mm]	C [mm]	D [mm]	E [mm]	F [mm]	G [mm]	H	I [mm]
GT-NT03	62	19	68.1	9	7	43	14	M3	3
GT-NT03R	62	19	68.1	9	7	43	14	M3	3
GT-NT03-4	62	19	68.1	9	7	43	14	M3	3
GT-NT03R-4	62	19	68.1	9	7	43	14	M3	3
GT-NT05	64	32	71.1	9	7	45	20	M4	6
GT-NT05R	64	32	71.1	9	7	45	20	M4	6
GT-NT05-4	64	32	71.1	9	7	45	20	M4	6
GT-NT05R-4	64	32	71.1	9	7	45	20	M4	6
GT-NT10	73	38	88.1	11	8	52	24	M4	7
GT-NT10R	73	38	88.1	11	8	52	24	M4	7
GT-NT10-6	73	38	88.1	11	8	52	24	M4	7
GT-NT10R-6	73	38	88.1	11	8	52	24	M4	7
GT-NT20	103	44	102.1	14	10	80	28	M5	9
GT-NT20R	103	44	102.1	14	10	80	28	M5	9
GT-NT20-6	103	44	102.1	14	10	80	28	M5	9
GT-NT20R-6	103	44	102.1	14	10	80	28	M5	9



# Nipper technology | Air nippers – stationary

Blades for plastic, for vertical air nippers, straight

## Blades for plastic, for vertical air nippers, straight



### Product notes

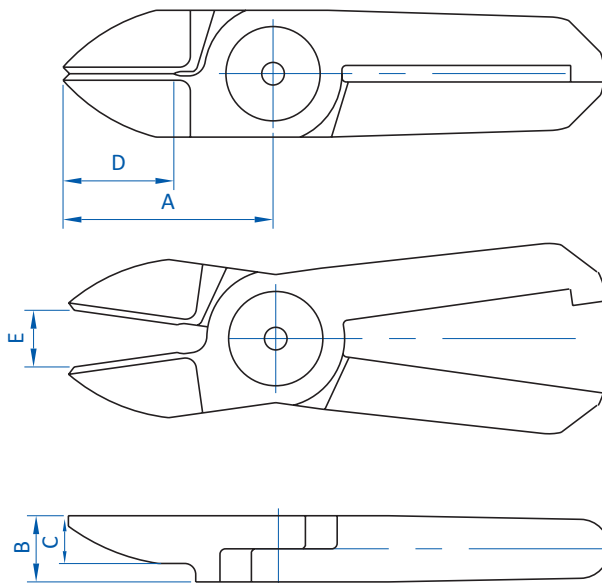
- > Straight blades that can be applied at the right angle to the gate
- > Models with a variety of cutting edges to cover different applications
- > AJ: standard blade
- > AJT: blade extra thin
- > AJL: blade extra long to overcome distance between sprue and nipper
- > AJB: brazed carbide tips for cutting hard plastics or plastics containing fiberglass, increased durability
- > AJH: brazed high-speed steel tip for cutting hard plastic

### Technical data

Item no.	Material	Max. cutting thickness [mm]		Weight [g]	Air nippers
		PP/PE	ABS		
NT03AJ	Ferrous alloy	1.5	1	20	GT-NT03 (p.316)
NT03AJT	Ferrous alloy	1.5	1	19	GT-NT03 (p.316)
NE05AJ	Ferrous alloy	2.5	1.5	35	GT-NT05 (p.316)
NT05AJ	Ferrous alloy	2.5	1.5	30	GT-NT05 (p.316)
NT05AJB	Sintered alloy	2.5	1.5	30	GT-NT05 (p.316)
NT05AJH	HSS steel	2.5	1.5	30	GT-NT05 (p.316)
NT05AJL	Ferrous alloy	2.5	1.5	39	GT-NT05 (p.316)
NT05AJT	Ferrous alloy	2.5	1.5	29	GT-NT05 (p.316)
NE10AJ	Ferrous alloy	3.5	2.3	70	GT-NT10 (p.316)
NT10AJ	Ferrous alloy	3.5	2.3	62	GT-NT10 (p.316)
NT10AJB	Sintered alloy	3.5	2.3	76	GT-NT10 (p.316)
NT10AJH	HSS steel	3.5	2.3	76	GT-NT10 (p.316)
NT10AJL	Ferrous alloy	3.5	2.3	62	GT-NT10 (p.316)
NT10AJT	Ferrous alloy	3.5	2.3	65	GT-NT10 (p.316)
NT20AJ	Ferrous alloy	5	3.4	120	GT-NT20 (p.316)
NT20AJB	Ferrous alloy	5	3.4	120	GT-NT20 (p.316)
NT20AJH	HSS steel	5	3.4	120	GT-NT20 (p.316)
NT20AJL	Ferrous alloy	5	3.4	114	GT-NT20 (p.316)



## Dimensions



Item no.	A [mm]	B [mm]	C [mm]	D [mm]	E [mm]
NT03AJ	24	7	4	11	3
NT03AJT	24	7	2.3	11	3
NE05AJ	24	7	3.5	12	6
NT05AJ	29	7	5	15	6
NT05AJB	29	7	5	15	6
NT05AJH	29	7	5	15	6
NT05AJL	36	7	5	15	7
NT05AJT	29	7	3	15	6
NE10AJ	27	9	4.5	12	7
NT10AJ	35	9	6	17	7
NT10AJB	35	9	6	17	7
NT10AJH	35	9	6	17	7
NT10AJL	47	9	6	17	9
NT10AJT	35	9	4	17	7
NT20AJ	40	12	6	20	9
NT20AJB	40	12	6	20	9
NT20AJH	40	12	6	20	9
NT20AJL	57	12	6	20	12



# Nipper technology | Air nippers – stationary

Blades for plastic, for vertical air nippers, nipper style

## Blades for plastic, for vertical air nippers, nipper style



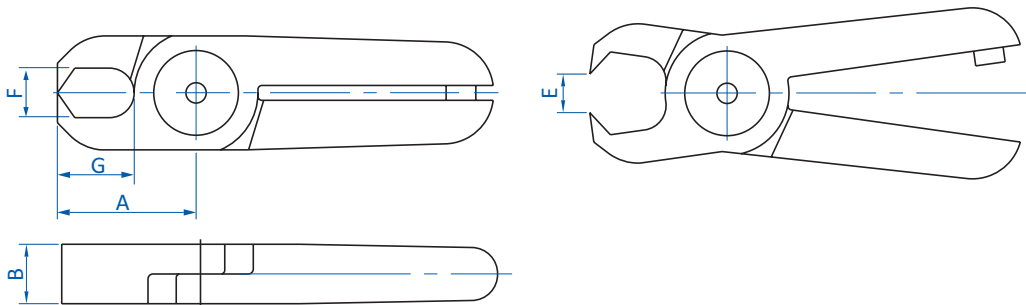
### Product notes

> Blades, nipper style, for universal cutting applications

### Technical data

Item no.	Material	Max. cutting thickness [mm]		Weight [g]	Air nippers
		PP/PE	ABS		
NT05AE	Ferrous alloy	2.5	1.5	36	GT-NT05 (p.316)
NT10AE	Ferrous alloy	3.5	2.3	75	GT-NT10 (p.316)

### Dimensions



Item no.	A [mm]	B [mm]	E [mm]	F [mm]	G [mm]
NT05AE	29	7	6	6	18
NT10AE	35	9	7	8	21.5



## Special air shears – round/square, single-acting



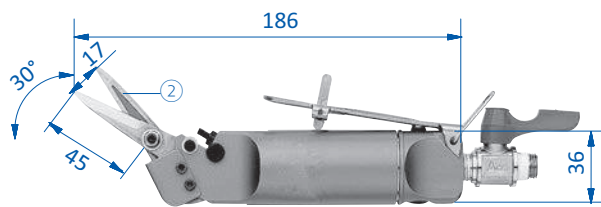
### Product notes

- > Pneumatic shears for robots, cutting stations or manual operation
- > For precision cutting of kevlar, aramid, glass and carbon fiber
- > GT-H30, GT-HS30, GT-H12K: designed to cut synthetic materials; not suitable for thick cardboard, tin plate, wire, wood, etc.
- > Blades are not included in the scope of delivery. Please order separately.

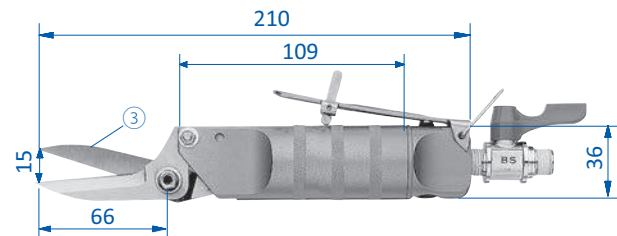
### Technical data

Item no.	Housing	Air consumption [cm <sup>3</sup> /stroke]	Operating pressure [bar (psi)]	Functional principle	Length incl. blade [mm]	Connection [G]	Max. cutting thickness [mm]		Weight [g]
							Band steel	Kevlar	
GT-H12K	Round	116	2 (29)	Manually	186	R1/8	--	0.3	290
GT-H120K	Round	116	5 - 6 (72.5 - 87)	Manually	211	R1/8	15x0.5	--	340
GT-H30	Round	584	3 (43.5)	Manually	280	R1/8	--	1	1,030
GT-HS30	Square	584	3 (43.5)	Automatically	260	R1/8	--	1	970

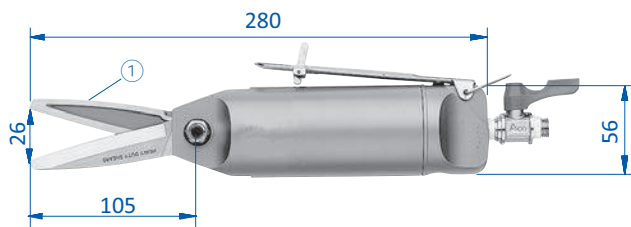
### Dimensions



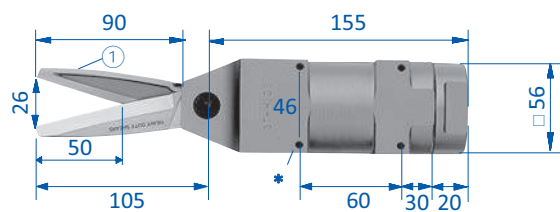
GT-H12K



GT-H120K



GT-H30



GT-HS30

① = Blade shown: H30ME ② = Blade shown: H12ME30K ③ = Blade shown: H120SK \* = 4 x 4 bore holes M5



# Nipper technology | Air shears

Blades for special air shears, single-acting

## Blades for special air shears, single-acting



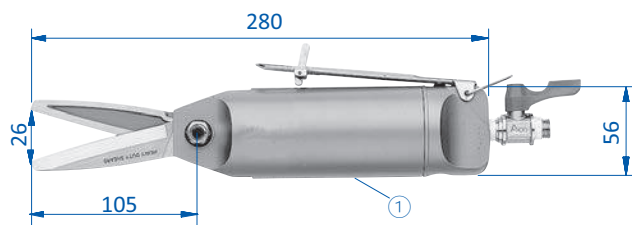
### Product notes

- > Blades for cutting synthetic materials, e.g. kevlar, aramid, glass and carbon fiber
- > With the exception of H120SK not suitable for thick cardboard, sheet tin, wire, wood

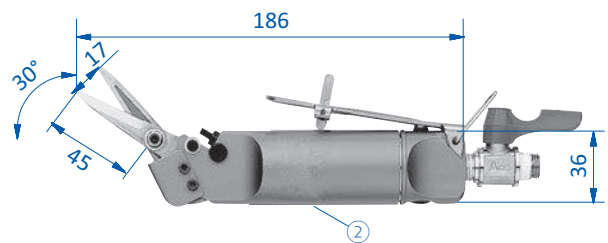
### Technical data

Item no.	Max. opening for cutting [mm]	Effective cutting length [mm]	Max. cutting thickness [mm]		Weight [g]	Air nippers
			Kevlar	Band steel		
H30ME	26	50	1	--	280	GT-H30 (p.321) GT-HS30 (p.321)
H12ME30K	17	28	0.3	--	56	GT-H12K (p.321)
H120SK	15	38	--	15x0.5	115	GT-H120K (p.321)

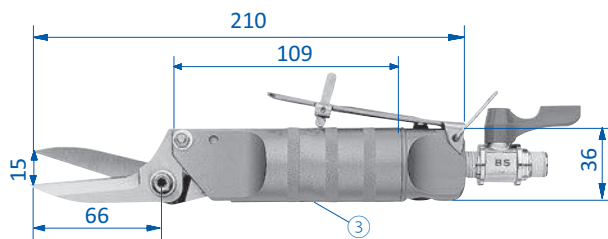
### Dimensions



H30ME



H12ME30K



H120SK

① = Special air shear shown: GT-H30    ② = Special air shear shown: GT-H12K    ③ = Special air shear shown: GT-H120K





## Air shears – round/square, double-acting



FOR FAST CYCLE TIMES

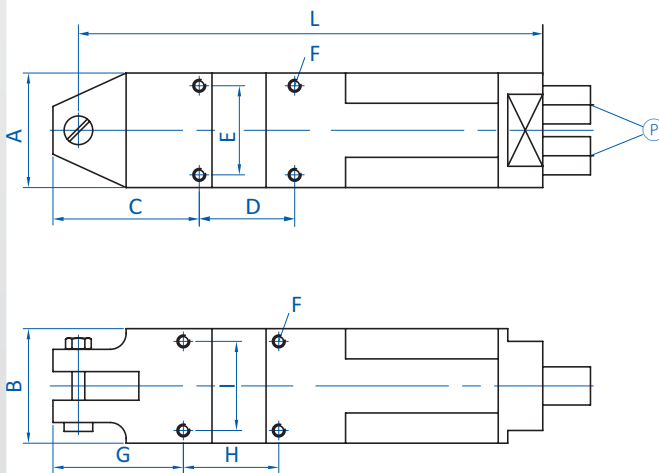
### Product notes

- > Pneumatic shears for robots, cutting stations or manual operation
- > Cutting of paper, film, steel or copper wire, etc.
- > Double-acting, separate control of opening and closing to enable short duty cycles
- > Continuous cutting process as no return spring required
- > Blades are not included in the scope of delivery. Please order separately.

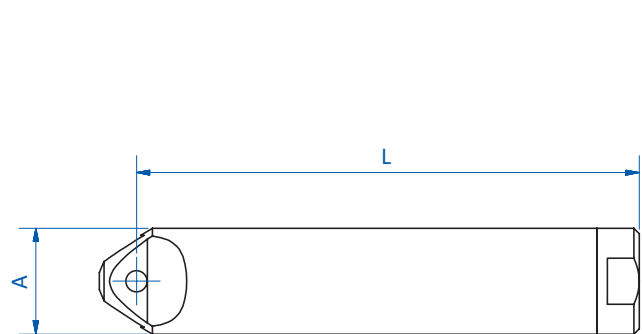
### Technical data

Item no.	Housing	Max. cutting force [N]	Air consumption [cm <sup>3</sup> /stroke]	Operating pressure [bar (psi)]	Pipe connection [mm]	Weight [g]
GT-HWS1	Square	294	45	4 - 5 (58 - 72.5)	4	116
GT-HWR1	Round	294	45	4 - 5 (58 - 72.5)	4	84
GT-HWS10	Square	588	116	4 - 5 (58 - 72.5)	6	356
GT-HWR10	Round	588	116	4 - 5 (58 - 72.5)	6	295

### Dimensions



GT-HWS1 | GT-HWS10



GT-HWR1 | GT-HWR10

Ⓟ = Compressed air connection

Item no.	A [mm]	B [mm]	C [mm]	D [mm]	E [mm]	F	G [mm]	H [mm]	I [mm]	L [mm]
GT-HWS1	20	23	--	--	--	M3	24	40	16	95
GT-HWR1	20	--	--	--	--	--	--	--	--	95
GT-HWS10	36	36	45.5	30	28	M4	41	30	28	146
GT-HWR10	36	--	--	--	--	--	--	--	--	146



### Blades for double-acting air shears



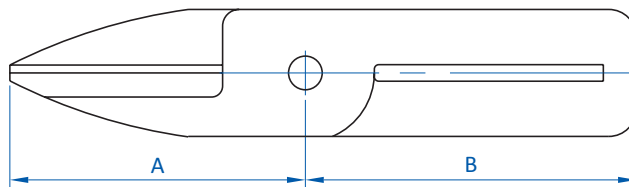
#### Product notes

- > Blades for double-acting air shears
- > Suitable for cutting copper or steel wire

#### Technical data

Item no.	Max. opening for cutting [mm]	Effective cutting length [mm]	Max. cutting thickness [mm]		Weight [g]	Air nippers
			Copper wire	Steel wire		
HW1J	3	17	1	0.5	116	GT-HWR1 (p.323) GT-HWS1 (p.323)
HW10J	5	28	1.8	1.2	84	GT-HWR10 (p.323) GT-HWS10 (p.323)

#### Dimensions



Item no.	A [mm]	B [mm]
HW1J	25	30
HW10J	40	55



### Air-nipper mounting brackets



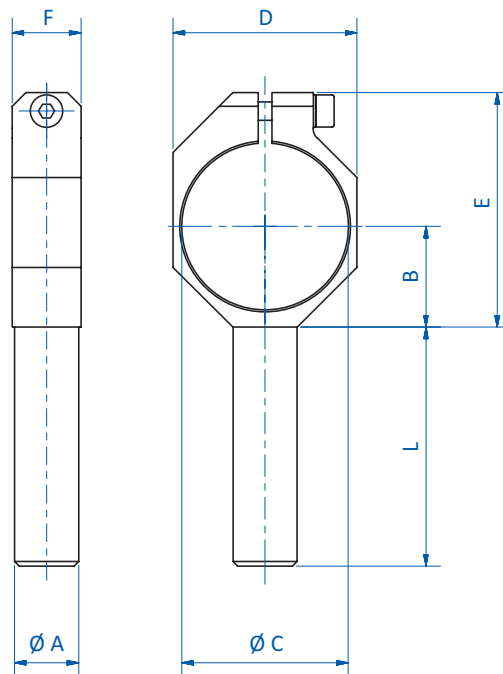
#### Product notes

> Mounting brackets to fasten air nippers to angle clamps

#### Technical data

Item no.	Clamping $\varnothing$ [mm]	Weight [g]	Air nippers
GT-NR10H	14	38	GT-NR10L (p.286)
GT-NR20H	20	71	GT-NR20 (p.286)
GT-NR30H	20	79	GT-NR30 (p.286)
GT-NR50H	20	149	GT-NR50 (p.286)

#### Dimensions



Item no.	$\varnothing A$ [mm]	B [mm]	$\varnothing C$ [mm]	D [mm]	E [mm]	F [mm]	L [mm]
GT-NR10H	14	22	36	40	51	15	52
GT-NR20H	20	30	45	50	65	20	52
GT-NR30H	20	35	56	60	75	20	52
GT-NR50H	20	45	75	85	95	20	52



### Mounting clamps for air nippers



Air nipper GT-NR20 with mounting clamp

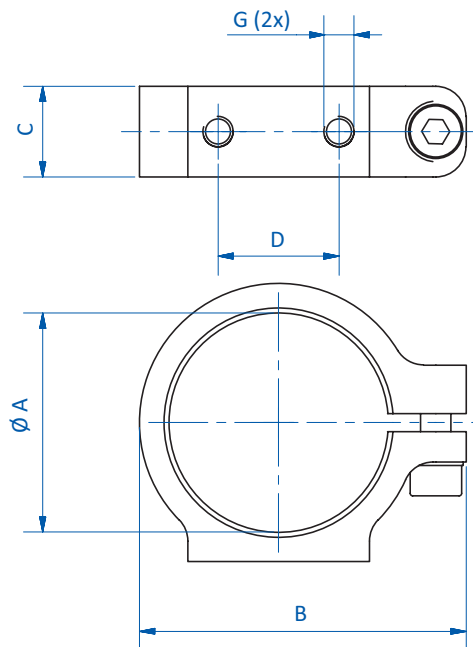
#### Product notes

- > Space-saving assembly of air nippers on extrusions and special machines
- > The clamps are part of air nipper fittings GT-NR10ST2 to GT-NR30ST2

#### Technical data

Item no.	Weight [g]	Air nippers
GT-NR10S	36	GT-NR10L (p.286)
GT-NR20S	39	GT-NR20 (p.286)
GT-NR30S	46	GT-NR30 (p.286)

#### Dimensions



Item no.	Ø A [mm]	B [mm]	C [mm]	D [mm]	G
GT-NR10S	36	54	15	20	M5
GT-NR20S	45	62.5	15	20	M5
GT-NR30S	56	73.5	15	20	M5



## Clamps with angle brackets – for direct mounting

Mounting air nippers on EOAT or special machines



Air nipper GT-NR20 assembled on extrusion SLine

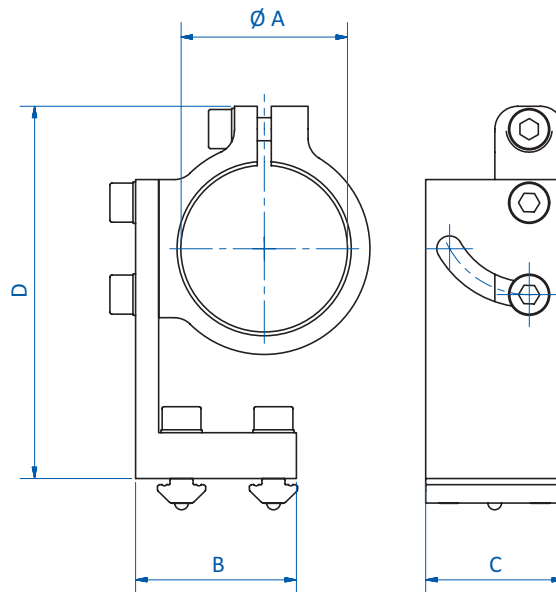
### Product notes

- > Mounting bracket for installation on grippers or special machines
- > Easy positioning of the air nipper thanks to 2x 90° adjustable design
- > Versatile thanks to alternative installation using slot nuts or threaded shaft holder
- > Slot nuts and mounting screws for installation on FIPA SLine and MLine extrusions included in scope of delivery

### Technical data

Item no.	Weight [g]	Air nippers
GT-NR10ST2	116	GT-NR10L (p.286)
GT-NR20ST2	119	GT-NR20 (p.286)
GT-NR30ST2	125	GT-NR30 (p.286)
GT-NR50ST2	165	GT-NR50 (p.286)

### Dimensions



Item no.	Ø A [mm]	B [mm]	C [mm]	D [mm]
GT-NR10ST2	36	35	30	81
GT-NR20ST2	45	35	30	87.5
GT-NR30ST2	56	35	30	90.5
GT-NR50ST2	75	35	30	109.5



### Gripper clamps



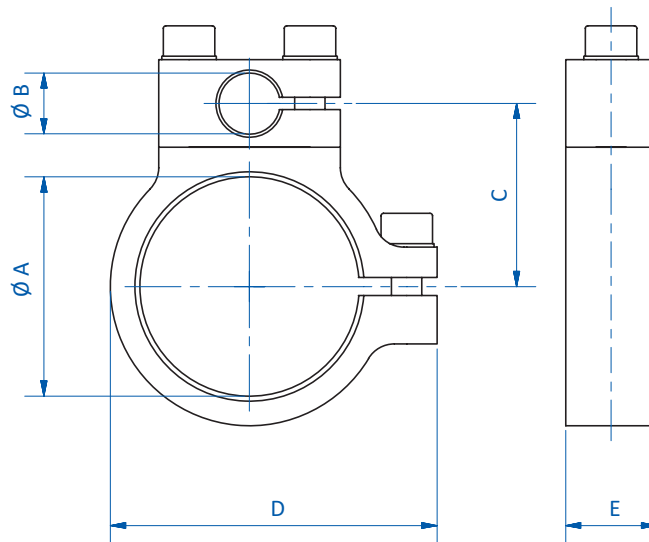
#### Product notes

- > Mounting of the grippers to the air nippers for holding the sprue during the cutting process
- > Optimal adjustment by using elbow gripper arms

#### Technical data

Item no.	Weight [g]	Air nippers
GT-NR10GR	57	GT-NR10L (p.286)
GT-NR20GR	60	GT-NR20 (p.286)
GT-NR30GR	66	GT-NR30 (p.286)

#### Dimensions

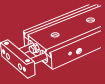


Item no.	Ø A [mm]	Ø B [mm]	C [mm]	D [mm]	E [mm]
GT-NR10GR	36	10	30.25	54	15
GT-NR20GR	45	10	34.75	62.5	15
GT-NR30GR	56	10	40.25	73.5	15

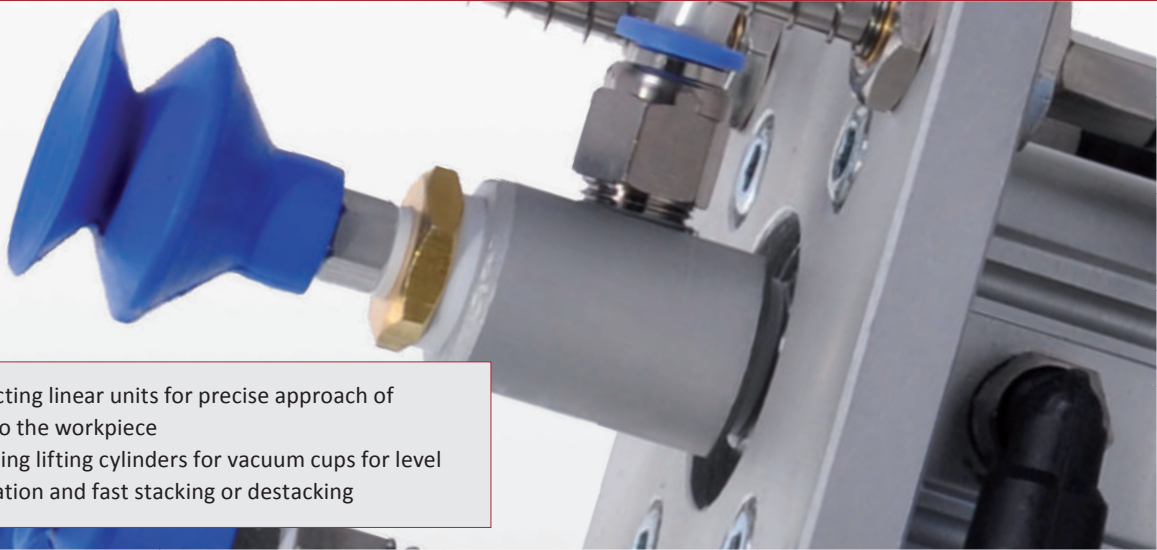
Linear technology at a glance .....	331
Lifting cylinders .....	332
Short lifting cylinders .....	336
Dual-piston cylinders .....	338
Guide blocks .....	340
Accessories .....	350







FIPA Linear technology



- > Double-acting linear units for precise approach of grippers to the workpiece
- > Single-acting lifting cylinders for vacuum cups for level compensation and fast stacking or destacking



**Lifting cylinders – vacuum-operated or operated by compressed air**

- > Torsionally rigid piston plunger for fast stacking or destacking of flat objects such as cards, signs, veneer
- > Fixation of workpieces in cutting stations
- > Model 55.005 comes with integrated blow-off function for short duty cycles
- > See page 332



**Short stroke cylinders**

- > Space-saving, lightweight design
- > Sensors for optional monitoring of piston position
- > To be used as gripping or holding tool when combined with pressure plates GR07.196 - GR07.199
- > See page 336



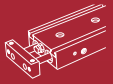
**Dual-piston cylinders**

- > Feed lift of grippers and cutting tools
- > Torsionally rigid dual-piston design and precise slide bearing guiding for high loads
- > Sensors for optional monitoring of piston position
- > See page 338



**Guide blocks**

- > Feed lift of grippers and cutting tools
- > GR07.506 to GR07.520 come in extra slim design for space-saving installation
- > Sensors for optional monitoring of piston position
- > See page 346



# Linear technology | Lifting cylinders

Lifting cylinders – operated by compressed air

## Lifting cylinders – operated by compressed air

With blow-off feature, torsionally rigid



### Product notes

- > Picking-up and stacking of flat and sensitive objects such as signs, card, labels, veneer in the correct position using non-rotating piston rod
- > Integrated vacuum generation
- > Very short cycle times due to integrated compressed air pulse during placement
- > Very compact design in robust aluminum housing
- > Long service life of around 25 million cycles thanks to Hartcoat® treated running surfaces
- > Optional monitoring of piston position

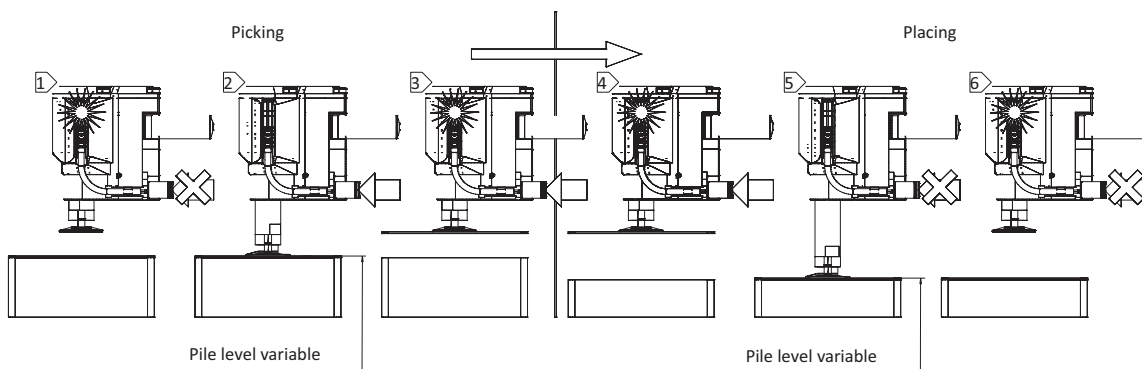
### Notes

- > For release of workpiece in defined position compressed air line needs to be shut and ventilated by means of a 3/2-way valve. Otherwise the piston will not extend and the workpiece will fall down.

### Technical data

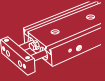
Item no.	Stroke [mm]	Lifting force at 6 bar (87 psi) [N]	Operating pressure [bar (psi)]	Volume flow at 6 bar (87 psi) [l/min]	Operating temperature [°C (°F)]	Weight [g]	Accessories
55.005	25	8	5 - 8 (72.5 - 116)	48	5 - 80 (41 - 176)	220	Silencer: 72.028 (p.398) Magnetic field sensor: 55.099

### Wiring diagram

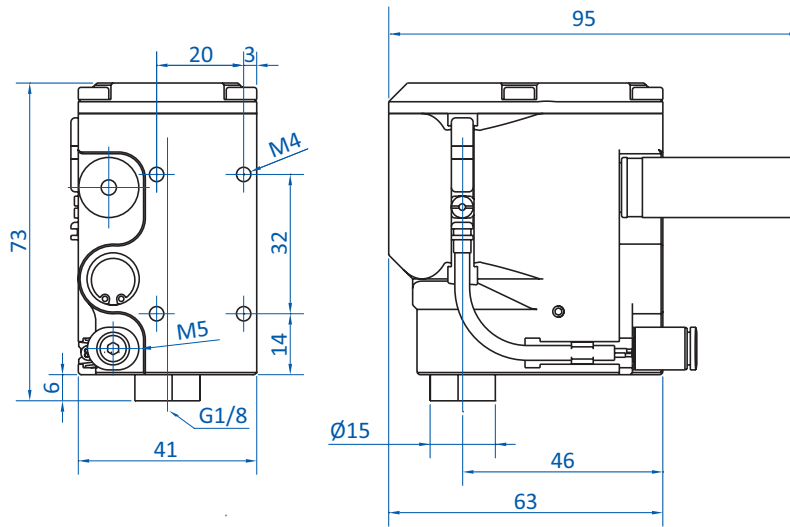


Process:

1. Initial position: compressed air off, piston drawn in, magnetic sensor in operation
2. Compressed air switched on, piston moves out, workpiece is pulled in, piston retracts with the workpiece to the initial position
3. Workpiece sucked in and lifted, compressed air on, magnetic field sensor in operation
4. Transport movement
5. Switch off compressed air, piston moves out with the workpiece, places the workpiece and retracts to the initial position
6. Initial position: compressed air off, piston drawn in, magnetic sensor in operation

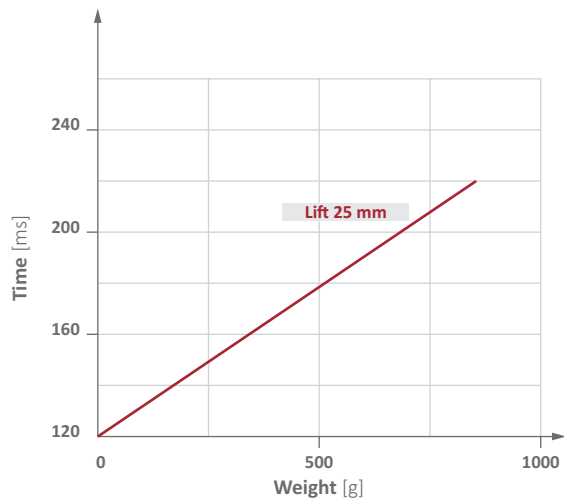


## Dimensions

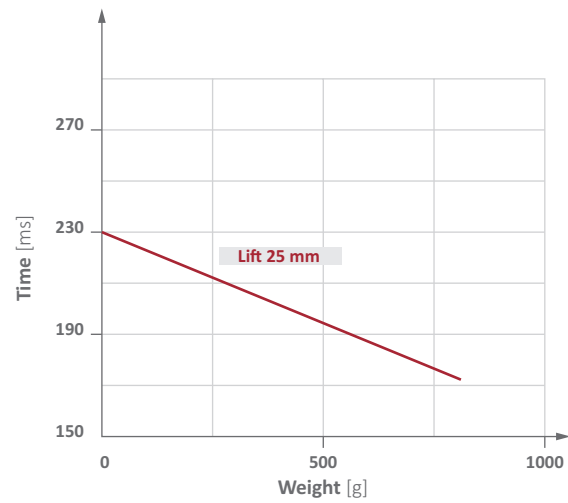


## Diagrams

> Double stroke lifting time against weight, pressure 6 bar (87 psi)



> Double stroke placing time against weight, pressure 6 bar (87 psi)





### Lifting cylinders – vacuum-operated

Torsionally rigid



55.000 | 55.001 | 55.004



55.002

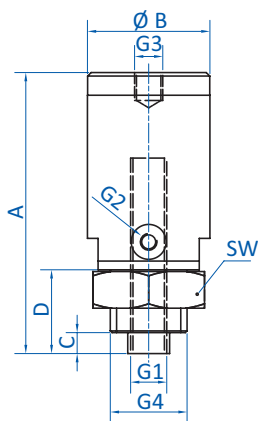
#### Product notes

- > Picking-up and stacking flat and sensitive objects such as e.g. signs, cards, paper, veneers
- > Suitable for short cycle times
- > Application e.g. for workpiece positioning in cutting stations
- > Robust aluminum housing, Hartcoat® treated
- > Non-rotating piston rod
- > Low-noise version
- > 55.002: stacking and lifting of metal sheet and heavy parts
- > Not suitable for workpieces permeable to air
- > Customized sizes on request

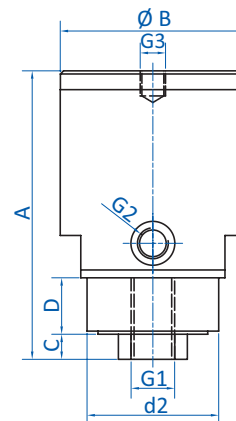
#### Technical data

Item no.	Stroke [mm]	Volume flow at 80 % vacuum [NI/min]	Lifting force at 80 % vacuum [N]	Cycle time (extend-suction-lift) [s]	Operating temperature [°C (°F)]	Weight [g]
55.000	17	15	3	0.3	5 - 80 (41 - 176)	39
55.001	25	35	7	0.4	5 - 80 (41 - 176)	111
55.002	30	35	50	1.4	5 - 80 (41 - 176)	331
55.004	40	35	7	0.8	5 - 80 (41 - 176)	138

#### Dimensions

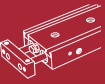


55.000 | 55.001 | 55.004



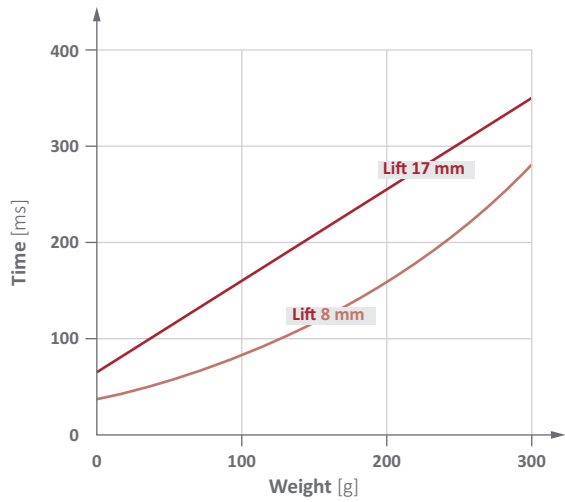
55.002

Item no.	G1	G2	G3	G4	A [mm]	Ø B [mm]	C [mm]	D [mm]	d2 [mm]	SW
55.000	M5	M5	M6	M16x1.5	55.5	24	4	16	--	19
55.001	G1/8	M5	M8	M22x1.5	78	35	6	22	--	27
55.002	G1/4	G1/4	M10	--	92	59	8	18	42	--
55.004	G1/8	G1/8	M8	M22x1.5	99	35	9	24	--	27



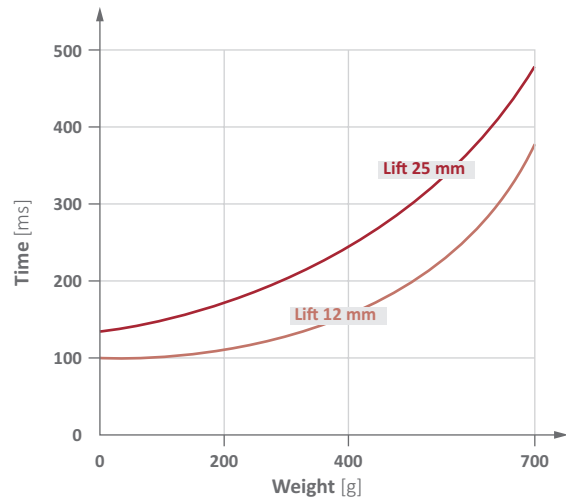
Diagrams

> Double stroke lifting time against weight



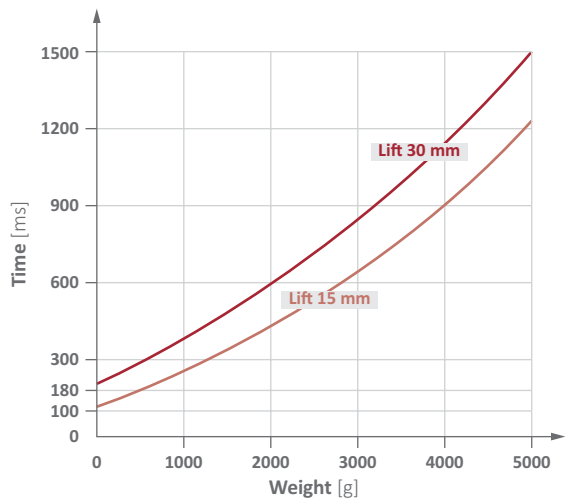
55.000

> Double stroke lifting time against weight



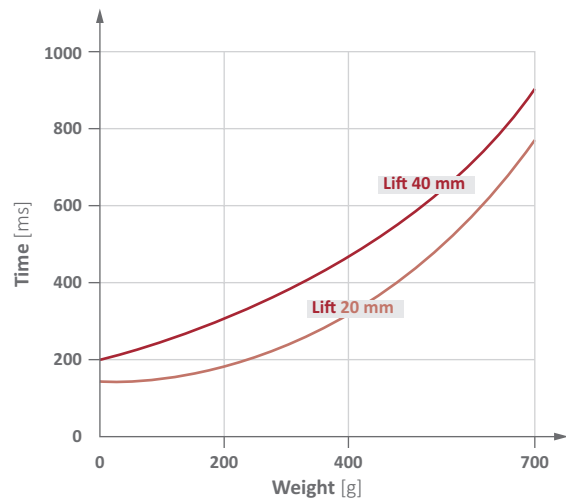
55.001

> Double stroke lifting time against weight

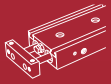


55.002

> Double stroke lifting time against weight



55.004



# Linear technology | Short lifting cylinders

## Short stroke cylinders – double-acting

### Short stroke cylinders – double-acting



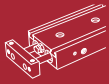
#### Product notes

- > Elements to guide gripper components such as vacuum cups to the workpiece
- > Double-acting, separate compressed air connections for extraction and retraction
- > Medium: filtered and oiled/unoled air
- > Sensors for optional detection of piston position (extracted/retracted)
- > Screws and lock washers included in scope of delivery
- > Further stroke versions available on request
- > PNP and NPN sensors:
  - C-slot (90° angle): GR04.202P, GR04.202N
  - C-slot (straight, short design): GR04.280P, GR04.280N
- > Can be used as gripper tool when combined with pressure plates GR07.196 - GR07.199

#### Technical data

Item no.	Com-pressed air connection	Operating pressure [bar (psi)]	Piston diameter [mm]	Stroke [mm]	Operating temperature [°C (°F)]	Weight [g]	Accessories
GR07.012-5	M5	0.5 - 9.9 (7.3 - 143.6)	12	5	-5 - 60 (23 - 140)	8	
GR07.012-10	M5	0.5 - 9.9 (7.3 - 143.6)	12	10	-5 - 60 (23 - 140)	9	
GR07.016-5	M5	0.5 - 9.9 (7.3 - 143.6)	16	5	-5 - 60 (23 - 140)	16	
GR07.016-10	M5	0.5 - 9.9 (7.3 - 143.6)	16	10	-5 - 60 (23 - 140)	18	
GR07.016-20	M5	0.5 - 9.9 (7.3 - 143.6)	16	20	-5 - 60 (23 - 140)	22	
GR07.016-30	M5	0.5 - 9.9 (7.3 - 143.6)	16	30	-5 - 60 (23 - 140)	26	
GR07.020-5	M5	0.5 - 9.9 (7.3 - 143.6)	20	5	-5 - 60 (23 - 140)	28	
GR07.020-10	M5	0.5 - 9.9 (7.3 - 143.6)	20	10	-5 - 60 (23 - 140)	31	
GR07.020-20	M5	0.5 - 9.9 (7.3 - 143.6)	20	20	-5 - 60 (23 - 140)	37	Mounting bracket: GR07.002 (p.351)
GR07.020-30	M5	0.5 - 9.9 (7.3 - 143.6)	20	30	-5 - 60 (23 - 140)	44	Sensor: GR04.202N (p.404)
GR07.020-50	M5	0.5 - 9.9 (7.3 - 143.6)	20	50	-5 - 60 (23 - 140)	56	Sensor: GR04.202P (p.404)
GR07.025-5	M5	0.5 - 9.9 (7.3 - 143.6)	25	5	-5 - 60 (23 - 140)	44	Sensor: GR04.280N (p.404)
GR07.025-10	M5	0.5 - 9.9 (7.3 - 143.6)	25	10	-5 - 60 (23 - 140)	48	Sensor: GR04.280P (p.404)
GR07.025-20	M5	0.5 - 9.9 (7.3 - 143.6)	25	20	-5 - 60 (23 - 140)	57	
GR07.025-30	M5	0.5 - 9.9 (7.3 - 143.6)	25	30	-5 - 60 (23 - 140)	66	
GR07.025-50	M5	0.5 - 9.9 (7.3 - 143.6)	25	50	-5 - 60 (23 - 140)	84	
GR07.032-5	G1/8	0.5 - 9.9 (7.3 - 143.6)	32	5	-5 - 60 (23 - 140)	78	
GR07.032-10	G1/8	0.5 - 9.9 (7.3 - 143.6)	32	10	-5 - 60 (23 - 140)	86	
GR07.032-20	G1/8	0.5 - 9.9 (7.3 - 143.6)	32	20	-5 - 60 (23 - 140)	105	
GR07.032-30	G1/8	0.5 - 9.9 (7.3 - 143.6)	32	30	-5 - 60 (23 - 140)	117	
GR07.032-50	G1/8	0.5 - 9.9 (7.3 - 143.6)	32	50	-5 - 60 (23 - 140)	125	

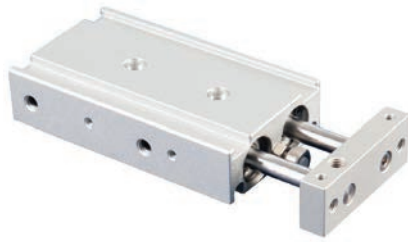




# Linear technology | Dual-piston cylinders

## Dual-piston cylinders – double-acting

### Dual-piston cylinders – double-acting



**HIGH PRECISION CYLINDER GUIDING, ANTI-TWIST PROTECTION**



Combination of dual-piston cylinder and guide block

#### Product notes

- > Unit to precisely guide gripper components such as vacuum cups to the workpiece
- > Double-acting, separate compressed air connections for extraction and retraction
- > Sensors for optional detection of piston position (extracted/retracted)
- > PNP and NPN sensors:
  - C-slot (90° angle): GR04.202P, GR04.202N
  - C-slot (straight, short design): GR04.280P, GR04.280N
- > Medium: filtered and oiled/unoled air

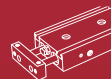
#### Technical data

Item no.	GR07.112-25	GR07.112-50	GR07.112-75	GR07.116-25	GR07.116-50	GR07.116-75	GR07.116-100
Compressed air connection	M5	M5	M5	M5	M5	M5	M5
Operating pressure [bar (psi)]	1 - 7 (14.5 - 101.5)	1 - 7 (14.5 - 101.5)	1 - 7 (14.5 - 101.5)	1 - 7 (14.5 - 101.5)	1 - 7 (14.5 - 101.5)	1 - 7 (14.5 - 101.5)	1 - 7 (14.5 - 101.5)
Piston diameter [mm]	12	12	12	16	16	16	16
Stroke [mm]	25	50	75	25	50	75	100
Operating temperature [°C (°F)]	-5 - 70 (23 - 158)	-5 - 70 (23 - 158)	-5 - 70 (23 - 158)	-5 - 70 (23 - 158)	-5 - 70 (23 - 158)	-5 - 70 (23 - 158)	-5 - 70 (23 - 158)
Weight [g]	180	230	280	290	360	435	510
Suitable sensors	GR04.202N (p.404) GR04.202P (p.404) GR04.280N (p.404) GR04.280P (p.404)	GR04.202N (p.404) GR04.202P (p.404) GR04.280N (p.404) GR04.280P (p.404)	GR04.202N (p.404) GR04.202P (p.404) GR04.280N (p.404) GR04.280P (p.404)	GR04.202N (p.404) GR04.202P (p.404) GR04.280N (p.404) GR04.280P (p.404)	--	GR04.202N (p.404) GR04.202P (p.404) GR04.280N (p.404) GR04.280P (p.404)	GR04.202N (p.404) GR04.202P (p.404) GR04.280N (p.404) GR04.280P (p.404)

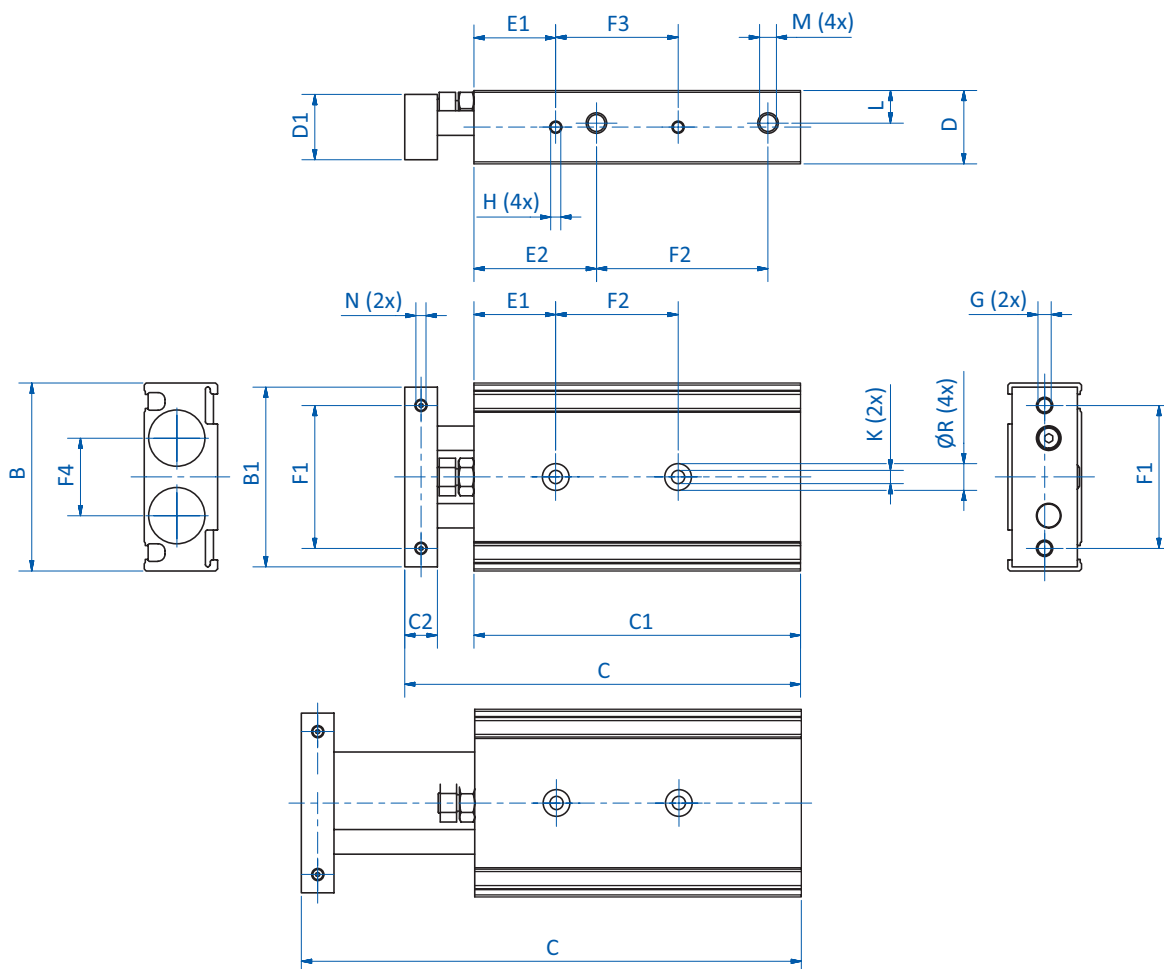
#### Theoretical cylinder force depending on the working pressure

Working pressure [bar]	Cylinder force [N]			
	GR07.112-xx		GR07.116-xx	
	Move out	Move in	Move out	Move in
1	16	10	35.5	25
1.5	23.5	15	53	38
2	31.5	20	70.5	50.5
3	47	30	106	75.5
4	63	40	141	101
5	78.5	50	176.5	126
6	94	60	212	151
7	110	70	247	176.5



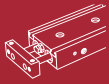


### Dimensions



① = Compressed air connection M5

Item no.	GR07.112-25	GR07.112-50	GR07.112-75	GR07.116-25	GR07.116-50	GR07.116-75	GR07.116-100
L [mm]	8.5	8.5	8.5	9.5	9.5	9.5	9.5
B [mm]	46	46	46	58	58	58	58
B1 [mm]	44	44	44	58	58	58	58
C [mm]	97 - 122	122 - 172	147 - 222	104 - 129	129 - 179	154 - 229	179 - 279
C1 [mm]	80	105	130	85	110	135	160
C2 [mm]	8	8	8	10	10	10	10
D [mm]	18	18	18	20	20	20	20
D1 [mm]	16	16	16	18	18	18	18
E1 [mm]	20	20	20	30	30	30	30
E2 [mm]	30	30	30	38.5	38.5	38.5	38.5
F1 [mm]	35	35	35	45	45	45	45
F2 [mm]	42	67	92	38.5	63.5	88.5	114
F3 [mm]	30	40	50	25	35	45	55
F4 [mm]	19	19	19	25	25	25	25
G	M4x0.7	M4x0.7	M4x0.7	M5x0.8	M5x0.8	M5x0.8	M5x0.8
H	M3x4,5	M3x4,5	M3x4,5	M4x5	M4x5	M4x5	M4x5
K	M4	M4	M4	M5	M5	M5	M5
M	M5	M5	M5	M5	M5	M5	M5
N	M3x5	M3x5	M3x5	M4x6	M4x6	M4x6	M4x6
Ø R	6,5x3,3	6,5x3,3	6,5x3,3	8x4,4	8x4,4	8x4,4	8x4,4



# Linear technology | Guide blocks

Guide blocks piston diameter 8 mm – double-acting

## Guide blocks piston diameter 8 mm – double-acting

HIGH PRECISION COMBINATION OF CYLINDER AND LINEAR GUIDING



Combination of guide block and dual-piston cylinder

### Product notes

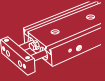
- > Unit to precisely guide gripper components such as sprue grippers or nippers to the workpiece
- > Double-acting, separate compressed air connections for extraction and retraction
- > Sensors for optional detection of piston position (extracted/retracted)
- > Stroke adjusters available on request
- > Linear guide blocks can also be used to move gripped workpieces more closely together, to prepare the items for example for pick & place by vacuum grippers
- > PNP and NPN sensors:
  - C-slot (90° angle): GR04.202P, GR04.202N
  - C-slot (straight, short design): GR04.280P, GR04.280N

### Technical data

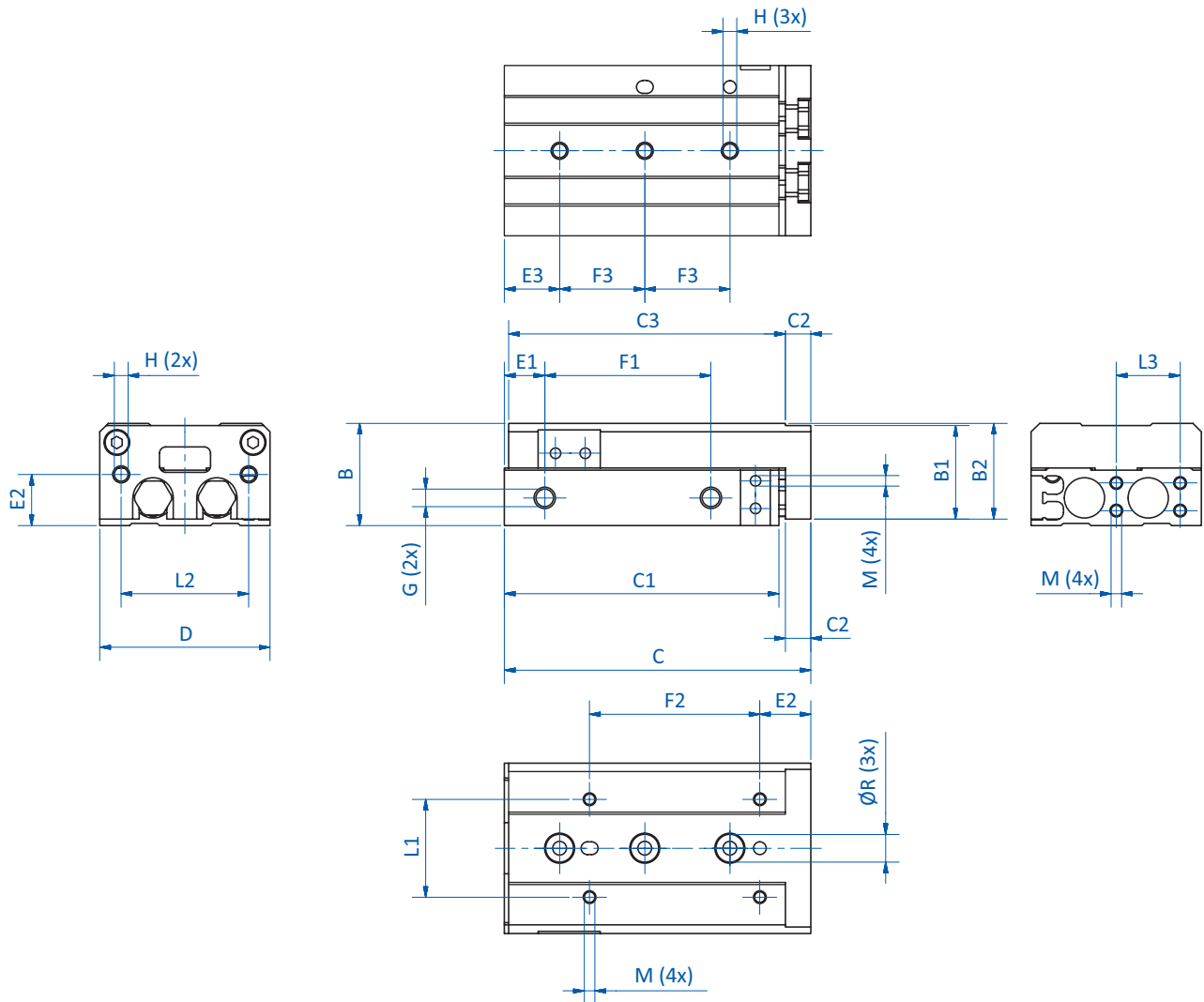
Item no.	GR07.208-30	GR07.208-50	GR07.208-75
Compressed air connection	2xM5	2xM5	2xM5
Operating pressure [bar (psi)]	1.5 - 7 (21.8 - 101.5)	1.5 - 7 (21.8 - 101.5)	1.5 - 7 (21.8 - 101.5)
Piston diameter [mm]	8	8	8
Stroke [mm]	30	50	75
Medium	Filtered and oiled/unoiled air	Filtered and oiled/unoiled air	Filtered and oiled/unoiled air
Operating temperature [°C (°F)]	-5 - 60 (23 - 140)	-5 - 60 (23 - 140)	-5 - 60 (23 - 140)
Weight [g]	190	285	410
Suitable sensors	GR04.202N (p.404) GR04.202P (p.404) GR04.280N (p.404) GR04.280P (p.404)	GR04.202N (p.404) GR04.202P (p.404) GR04.280N (p.404) GR04.280P (p.404)	GR04.202N (p.404) GR04.202P (p.404) GR04.280N (p.404) GR04.280P (p.404)

### Theoretical cylinder force depending on the working pressure

Working pressure [bar]	Cylinder force [N]					
	GR07.208-xx		GR07.216-xx		GR07.220-xx	
	Move out	Move in	Move out	Move in	Move out	Move in
2	20	15	80	60	126	94
3	30	23	121	91	188	141
4	40	30	161	121	251	188
5	51	38	201	151	314	236
6	61	45	241	181	377	283
7	71	53	281	211	400	330
Effective piston surface [mm <sup>2</sup> ]	101	75	402	302	628	471



## Dimensions



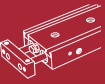
Continued on the next page →



## Linear technology | Guide blocks

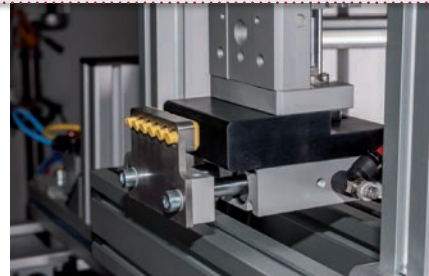
Guide blocks piston diameter 8 mm – double-acting

Item no.	GR07.208-30	GR07.208-50	GR07.208-75
B [mm]	24	24	24
B1 [mm]	22	22	22
B2 [mm]	22.5	22.5	22.5
C [mm]	72 - 102	108 - 158	158 - 233
C1 [mm]	64.5	100.5	150.5
C2 [mm]	6	6	6
C3 [mm]	65	101	151
D [mm]	40	40	40
E1 [mm]	9.5	24.5	38.5
E2 [mm]	12	12	12
E3 [mm]	13	20	27
F1 [mm]	39	60	96
F2 [mm]	40	38	50
F3 [mm]	20	23	28
G	M5	M5	M5
H	M4x8	M4x8	M4x8
L1 [mm]	23	23	23
L2 [mm]	30	30	30
L3 [mm]	15	15	15
M	M3x4	M3x4	M3x4
N	--	--	--
Ø R [mm]	7	7	7



### Guide blocks piston diameter 16 & 20 mm – double-acting

**HIGH PRECISION COMBINATION OF CYLINDER AND LINEAR GUIDING**



Combination of guide block and dual-piston cylinder

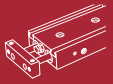
#### Product notes

- > Unit to precisely guide gripper components such as sprue grippers or nippers to the workpiece
- > Double-acting, separate compressed air connections for extraction and retraction
- > Sensors for optional detection of piston position (extracted/retracted)
- > Stroke adjusters available on request
- > Linear guide blocks can also be used to move gripped workpieces more closely together, to prepare the items for example for pick & place by vacuum grippers
- > PNP and NPN sensors:
  - C-slot (90° angle): GR04.202P, GR04.202N
  - C-slot (straight, short design): GR04.280P, GR04.280N

#### Technical data

Item no.	GR07.216-30	GR07.216-50	GR07.216-75	GR07.216-100	GR07.220-10	GR07.220-30	GR07.220-50	GR07.220-75	GR07.220-100	GR07.220-125	GR07.220-150
Compressed air connection	2xM5	2xM5	2xM5	2xM5	2xG1/8	2xG1/8	2xG1/8	2xG1/8	2xG1/8	2xG1/8	2xG1/8
Operating pressure [bar (psi)]	1.5 - 7 (21.8 - 101.5)	1.5 - 7 (21.8 - 101.5)	1.5 - 7 (21.8 - 101.5)	1.5 - 7 (21.8 - 101.5)	1.5 - 7 (21.8 - 101.5)	1.5 - 7 (21.8 - 101.5)	1.5 - 7 (21.8 - 101.5)	1.5 - 7 (21.8 - 101.5)	1.5 - 7 (21.8 - 101.5)	1.5 - 7 (21.8 - 101.5)	1.5 - 7 (21.8 - 101.5)
Piston diameter [mm]	16	16	16	16	20	20	20	20	20	20	20
Stroke [mm]	30	50	75	100	10	30	50	75	100	125	150
Medium	Filtered and oiled/ unoiled air	Filtered and oiled/ unoiled air	Filtered and oiled/ unoiled air	Filtered and oiled/ unoiled air	Filtered and oiled/ unoiled air	Filtered and oiled/ unoiled air	Filtered and oiled/ unoiled air	Filtered and oiled/ unoiled air	Filtered and oiled/ unoiled air	Filtered and oiled/ unoiled air	Filtered and oiled/ unoiled air
Operating temperature [°C (°F)]	-5 - 60 (23 - 140)	-5 - 60 (23 - 140)	-5 - 60 (23 - 140)	-5 - 60 (23 - 140)	-5 - 60 (23 - 140)	-5 - 60 (23 - 140)	-5 - 60 (23 - 140)	-5 - 60 (23 - 140)	-5 - 60 (23 - 140)	-5 - 60 (23 - 140)	-5 - 60 (23 - 140)
Weight [g]	602	762	1,095	1,410	1,010	1,010	1,250	1,630	2,150	2,670	3,190
Suitable sensors	GR04.202N (p.404) GR04.202P (p.404) GR04.280N (p.404) GR04.280P (p.404)										

Continued on the next page →



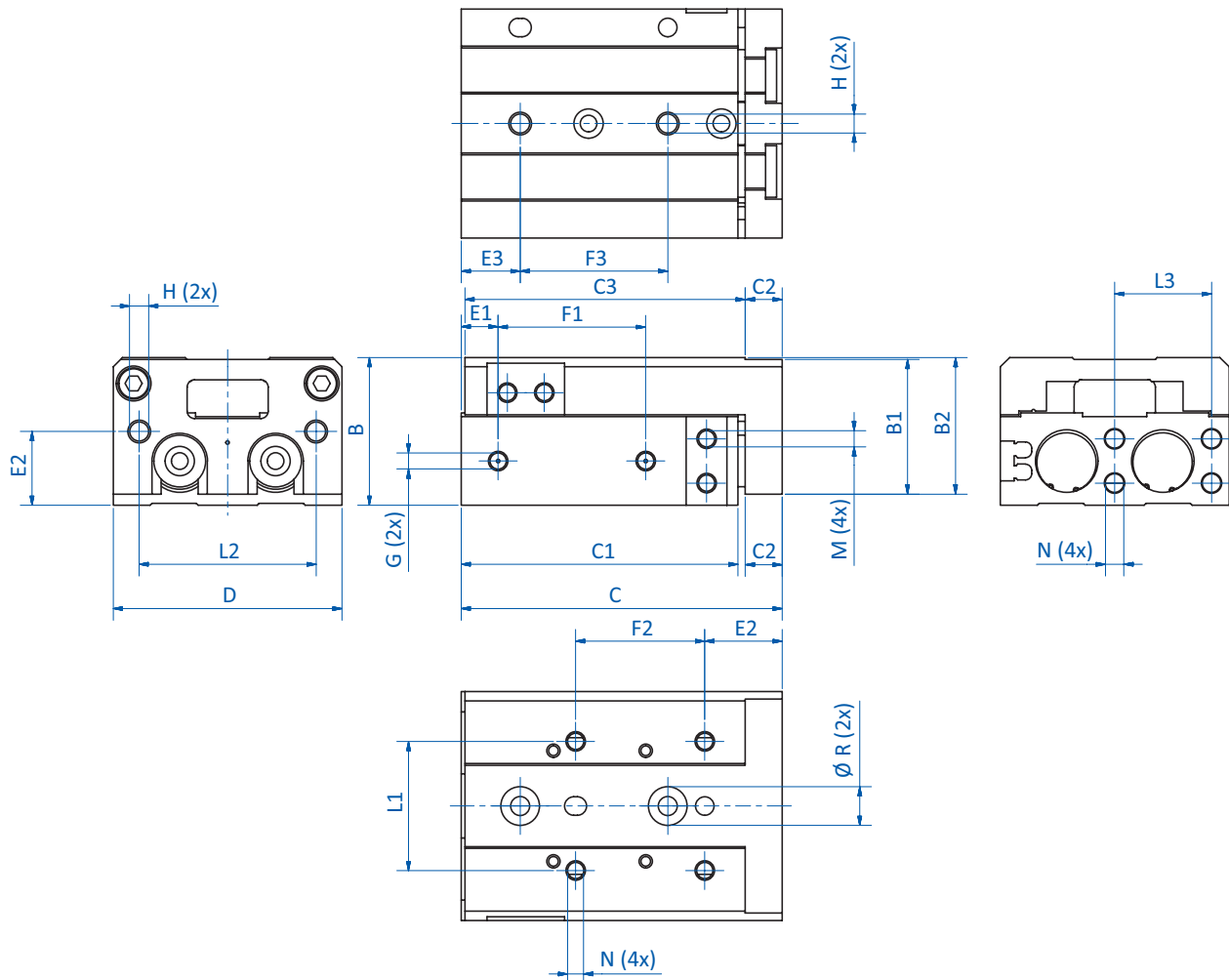
# Linear technology | Guide blocks

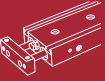
Guide blocks piston diameter 16 & 20 mm – double-acting

## Theoretical cylinder force depending on the working pressure

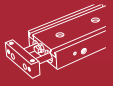
Working pressure [bar]	Cylinder force [N]					
	GR07.208-xx		GR07.216-xx		GR07.220-xx	
	Move out	Move in	Move out	Move in	Move out	Move in
2	20	15	80	60	126	94
3	30	23	121	91	188	141
4	40	30	161	121	251	188
5	51	38	201	151	314	236
6	61	45	241	181	377	283
7	71	53	281	211	400	330
Effective piston surface [mm <sup>2</sup> ]	101	75	402	302	628	471

## Dimensions





Item no.	GR07.216-30	GR07.216-50	GR07.216-75	GR07.216-100	GR07.220-10	GR07.220-30	GR07.220-50	GR07.220-75	GR07.220-100	GR07.220-125	GR07.220-150
<b>B</b> [mm]	40	40	40	40	50	50	50	50	50	50	50
<b>B1</b> [mm]	36.5	36.5	36.5	36.5	45.5	45.5	45.5	45.5	45.5	45.5	45.5
<b>B2</b> [mm]	37	37	37	37	46	46	46	46	46	46	46
<b>C</b> [mm]	87 - 117	112 - 162	162 - 237	210 - 310	97 - 107	97 - 107	122 - 172	161 - 236	214 - 314	268 - 393	320 - 304.5
<b>C1</b> [mm]	75	100	150	198	81.5	81.5	106.5	145.5	198.5	252.2	304.5
<b>C2</b> [mm]	10	10	10	10	13	13	13	13	13	13	13
<b>C3</b> [mm]	76	101	151	199	83	83	108	147	200	254	306
<b>D</b> [mm]	62	62	62	62	76	76	76	76	76	76	76
<b>E1</b> [mm]	10	15	40	55	10	10	10	10	58	70	87
<b>E2</b> [mm]	20 - 21	20 - 21	20 - 21	20 - 21	25 - 27	25 - 27	25 - 27	25 - 27	25 - 27	25 - 27	25 - 27
<b>E3</b> [mm]	16	21	26	39	15	15	15	19	37	41	19
<b>F1</b> [mm]	40	60	85	118	44	44	69	108	113	155	190
<b>F2</b> [mm]	35	30	55	65	50	50	35	60	70	70	80
<b>F3</b> [mm]	40	30	35	35	45	45	35	35	35	38	44
<b>G</b>	M5	M5	M5	M5	G1/8	G1/8	G1/8	G1/8	G1/8	G1/8	G1/8
<b>H</b>	M6x12	M6x12	M6x12	M6x12	M6x12	M6x12	M6x12	M6x12	M6x12	M6x12	M6x12
<b>L1</b> [mm]	35	35	35	35	46	46	46	46	46	46	46
<b>L2</b> [mm]	48	48	48	48	58	58	58	58	58	58	58
<b>L3</b> [mm]	26	26	26	26	30 (2x)	30 (2x)	30 (2x)	30 (2x)	30 (2x)	30 (2x)	30 (2x)
<b>M</b>	M5x5,5	M5x5,5	M5x5,5	M5x5,5	M6x6,5	M6x6,5	M6x6,5	M6x6,5	M6x6,5	M6x6,5	M6x6,5
<b>N</b>	M5x7	M5x7	M5x7	M5x7	M5x8 (6x)	M5x8 (6x)	M5x8 (6x)	M5x8 (6x)	M5x8 (6x)	M5x8 (6x)	M5x8 (6x)
<b>Ø R</b> [mm]	10.5	10.5	10.5	10.5	11	11	11	11	11	11	11



# Linear technology | Guide blocks

Guide blocks, extra narrow design – double-acting

## Guide blocks, extra narrow design – double-acting



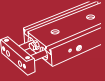
### Product notes

- > Unit to precisely guide gripper components such as sprue grippers or nippers to the workpiece
  - > Extra narrow construction for space-saving assembly
  - > Optional position monitoring through detection of piston position
  - > Principle of operation: double-acting
  - > Extension cables for sensors:
    - 20.503: 3-pole M8, straight, length 2,500 mm, open wire
    - 20.507: 3-pole M8, straight, length 2,000 mm, open wire
    - 20.570: 3-pole M8, length 1,500 mm, end with plug 3-pole M8
  - > PNP and NPN sensors:
    - C-slot (90° angle): GR04.202P, GR04.202N
    - C-slot (straight, short design): GR04.280P, GR04.280N
- Other strokes available on request

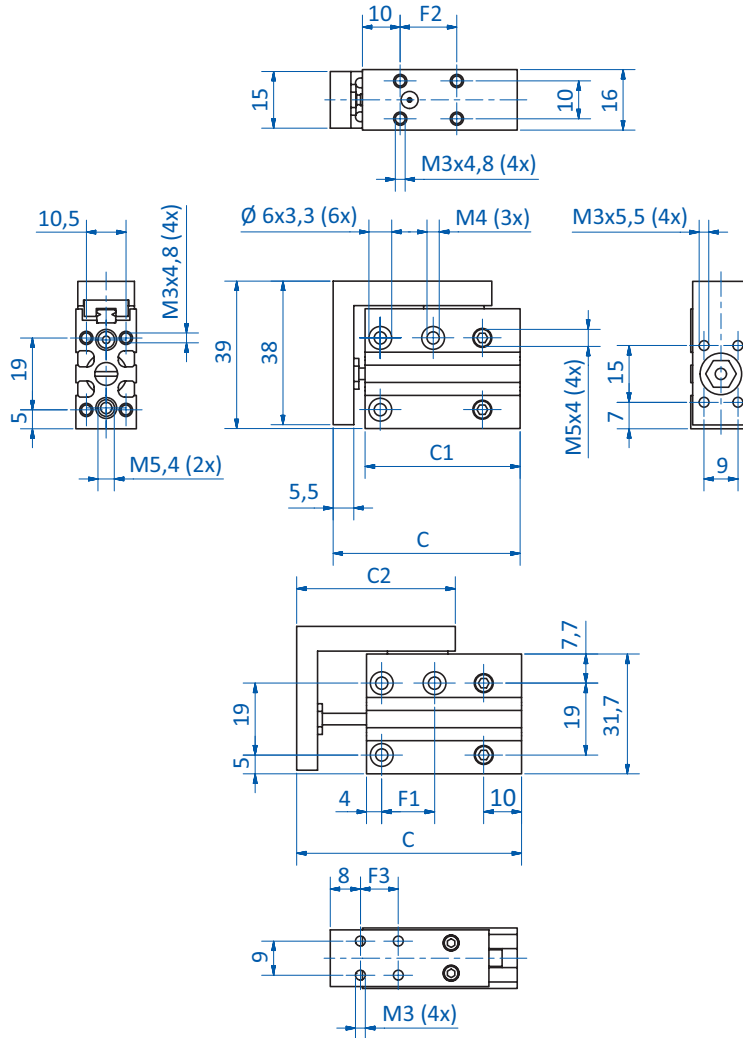
### Technical data

Item no.	Operating pressure [bar (psi)]	Piston diameter [mm]	Stroke [mm]	Piston speed [mm/sec]	Operating temperature [°C (°F)]	Weight [g]	Accessories
<b>GR07.506-10</b>	1.2 - 7 (17.4 - 101.5)	6	10	50 - 500	-5 - 60 (23 - 140)	70	
<b>GR07.506-20</b>	1.2 - 7 (17.4 - 101.5)	6	20	50 - 500	-5 - 60 (23 - 140)	80	
<b>GR07.506-30</b>	1.2 - 7 (17.4 - 101.5)	6	30	50 - 500	-5 - 60 (23 - 140)	100	Sensor: GR04.202N (p.404)
<b>GR07.510-10</b>	1.2 - 7 (17.4 - 101.5)	10	10	50 - 500	-5 - 60 (23 - 140)	125	Sensor: GR04.202P (p.404)
<b>GR07.510-20</b>	1.2 - 7 (17.4 - 101.5)	10	20	50 - 500	-5 - 60 (23 - 140)	150	Sensor: GR04.280N (p.404)
<b>GR07.510-30</b>	1.2 - 7 (17.4 - 101.5)	10	30	50 - 500	-5 - 60 (23 - 140)	170	Sensor: GR04.280P (p.404)
<b>GR07.516-10</b>	1.2 - 7 (17.4 - 101.5)	16	10	50 - 500	-5 - 60 (23 - 140)	230	Connector cable: 20.503 (p.410)
<b>GR07.516-20</b>	1.2 - 7 (17.4 - 101.5)	16	20	50 - 500	-5 - 60 (23 - 140)	260	Connector cable: 20.507 (p.410)
<b>GR07.516-30</b>	1.2 - 7 (17.4 - 101.5)	16	30	50 - 500	-5 - 60 (23 - 140)	290	Connector cable: 20.570 (p.410)



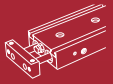


Dimensions



GR07.506-10 | GR07.506-20 | GR07.506-30

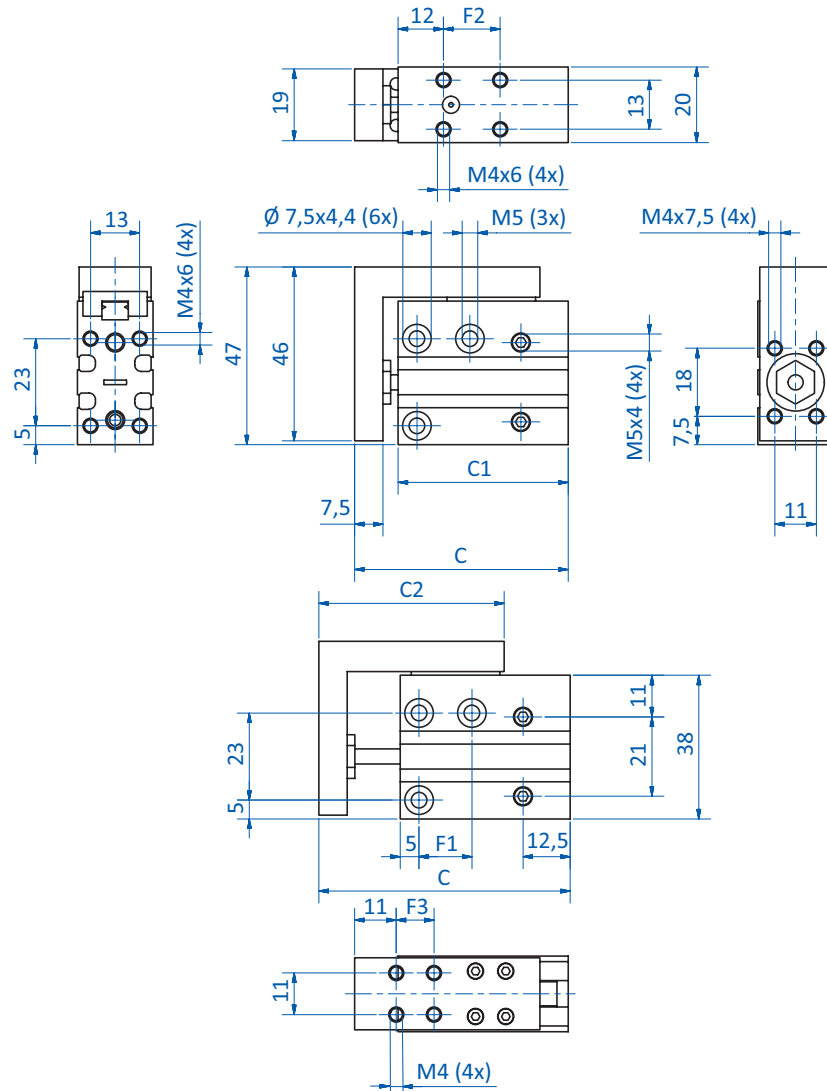
Continued on the next page →



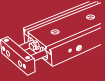
# Linear technology | Guide blocks

Guide blocks, extra narrow design – double-acting

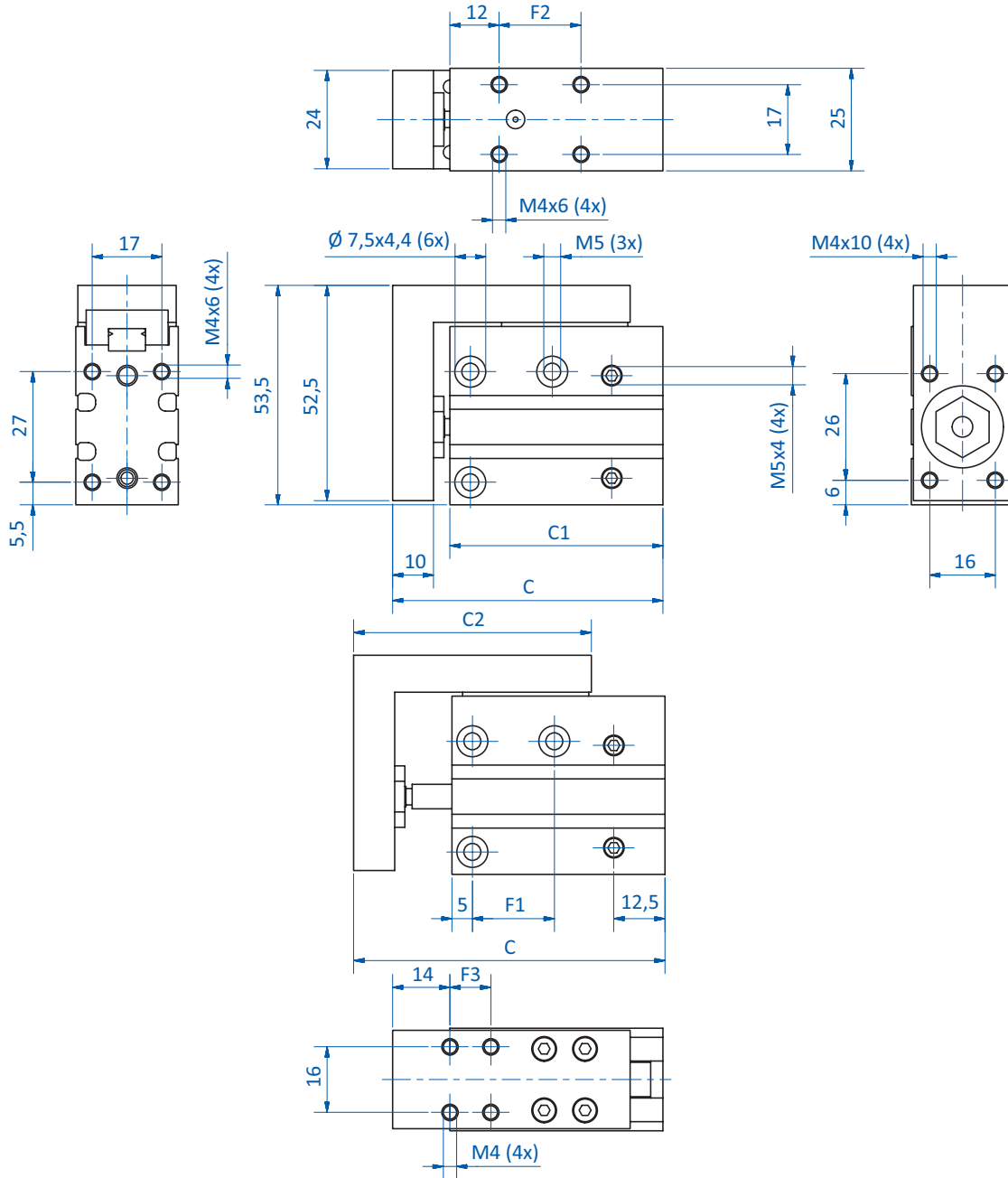
## Dimensions



GR07.510-10 | GR07.510-20 | GR07.510-30



## Dimensions



GR07.516-10 | GR07.516-20 | GR07.516-30

Item no.	C [mm]	C1 [mm]	C2 [mm]	F1 [mm]	F2 [mm]	F3 [mm]
GR07.506-10	49.5 - 59.5	41	42	14	15	10
GR07.506-20	51 - 52	51	52	24	25	20
GR07.506-30	69.5 - 99.5	61	62	30	35	30
GR07.510-10	56.5 - 66.5	45	49	14	15	10
GR07.510-20	66.5 - 86.5	55	59	24	25	20
GR07.510-30	76.5 - 106.5	65	69	30	35	30
GR07.516-10	66 - 76	52	58	20	20	10
GR07.516-20	76 - 96	62	68	30	30	20
GR07.516-30	86 - 116	72	78	40	40	30



### Pressure plates



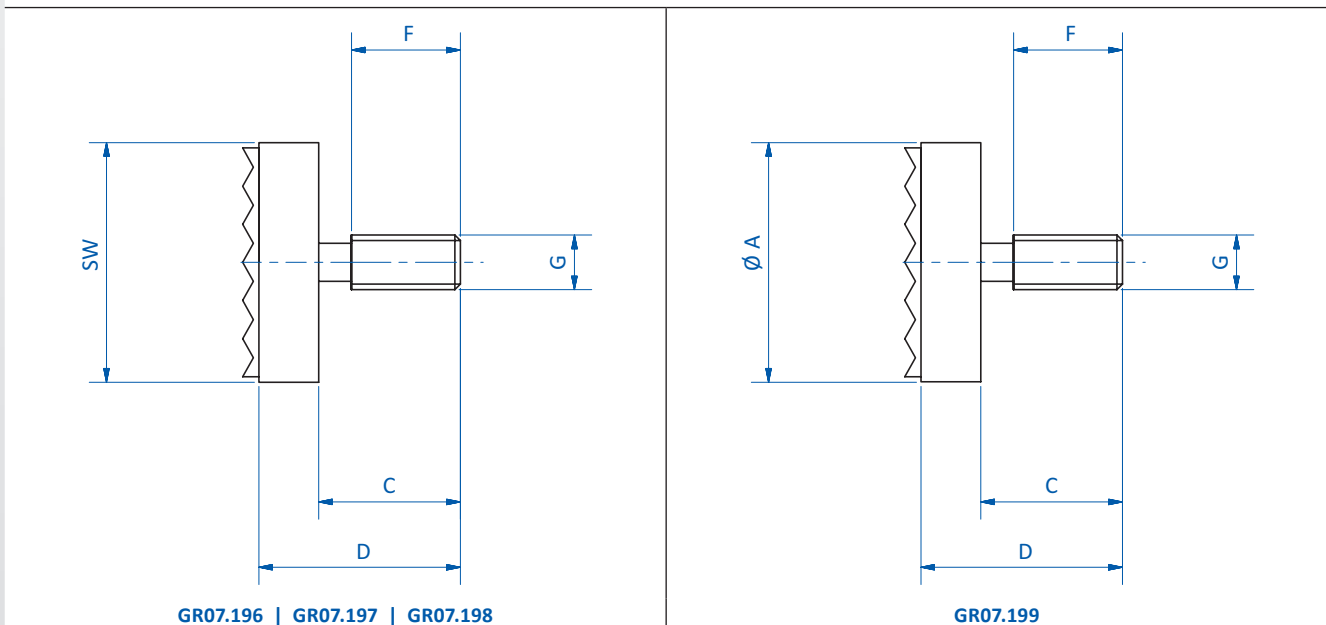
#### Product notes

- > Pressure plates with threads e.g. for screwing into short lifting cylinders as gripping or holding tools
- > GR07.196-198 with grooved natural rubber pad
- > GR07.199 with steel cover

#### Technical data

Item no.	Weight [g]
GR07.196	12
GR07.197	12
GR07.198	7
GR07.199	2

#### Dimensions



Item no.	SW	Ø A [mm]	C [mm]	D [mm]	F [mm]	G
GR07.196	22	--	13	18.5	10	M5
GR07.197	22	--	11.5	17	8.5	M4
GR07.198	22	--	7	11.7	5	M3
GR07.199	--	12	9	12.3	6	M3



### Fittings for compact cylinders



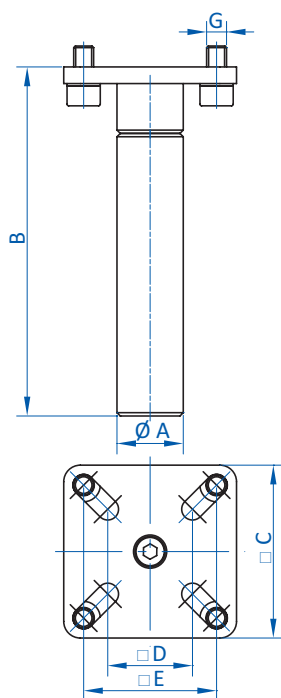
#### Product notes

- > Integration of compact cylinders into gripper systems
- > Compatible with all compact cylinders complying with ISO 21287 standards

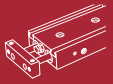
#### Technical data

Item no.	Weight [g]
GR07.001	125
GR07.002	52

#### Dimensions



Item no.	$\varnothing A$ [mm]	B [mm]	$\square C$ [mm]	$\square D$ [mm]	$\square E$ [mm]	G
GR07.001	20	105	52	25.5	40	M6
GR07.002	14	105	29	15.5	20	M4



### Angle arms for compact cylinders – adjustable



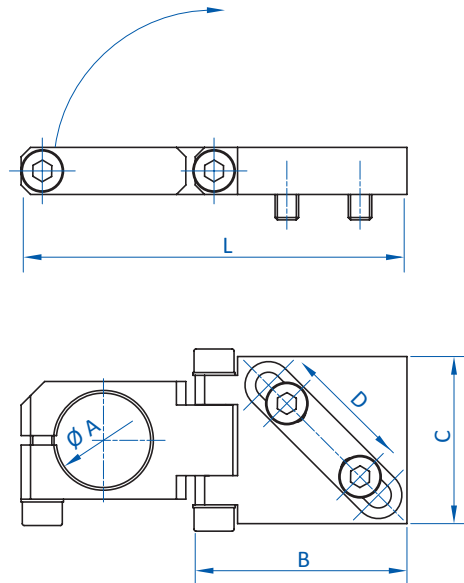
#### Product notes

- > Variable mounting of gripper components on compact cylinders or extrusion systems
- > Compatible with all compact cylinders (anti-twist) complying with ISO 21287 standards

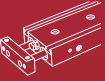
#### Technical data

Item no.	Weight [g]
GR07.030	73

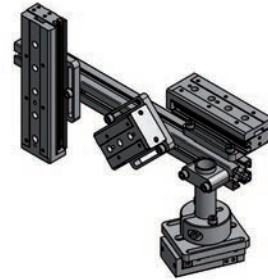
#### Dimensions



Item no.	$\varnothing A$ [mm]	B [mm]	C [mm]	D [mm]	L [mm]
GR07.030	20	45	35.5	17 - 33	82



### Mounting plate for guide blocks



Installation on FIPA MLine extrusion system

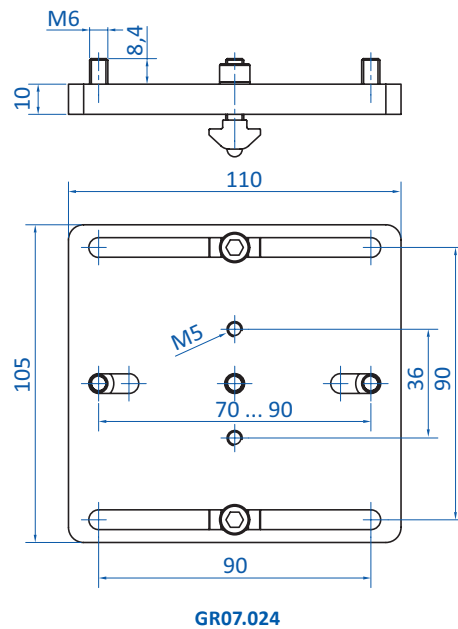
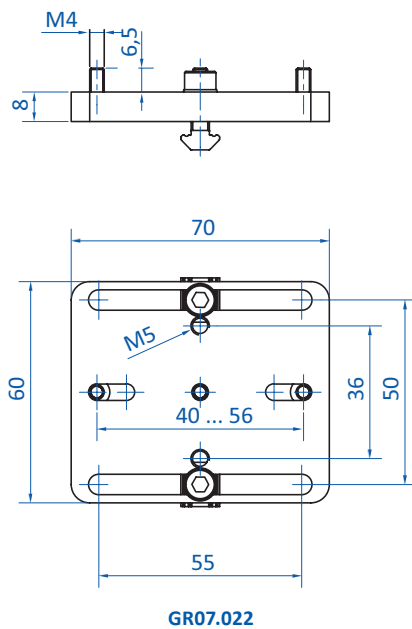
#### Product notes

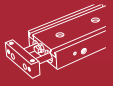
- > Mounting of guide blocks to SLine and MLine extrusions
- > GR07.022: suitable for GR07.208 on SLine and MLine extrusion systems
- > GR07.024: suitable for GR07.220 on XLine extrusion system
- > Slot nuts and screws included in scope of delivery

#### Technical data

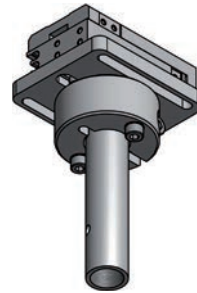
Item no.	Weight [g]
GR07.022	71
GR07.024	266

#### Dimensions





### Mounting ring for linear components



Application example: guide blocks with mounting ring and mounting plate

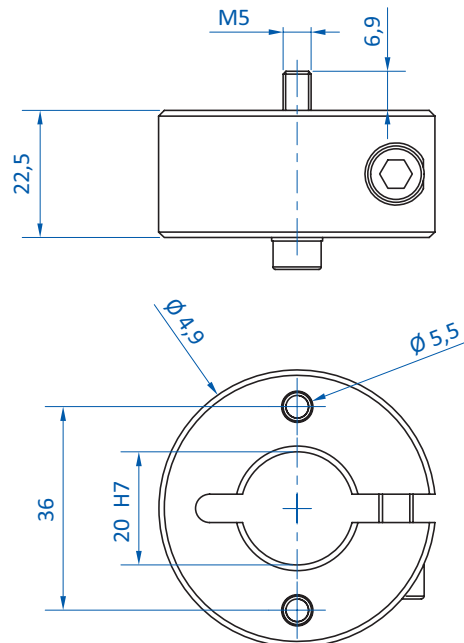
#### Product notes

- > Mounting of linear components on extrusion systems via extension tubes with  $\varnothing$  20 mm clamp
- > Particularly suitable for guide blocks rails and dual piston cylinder
- > Screws included in scope of delivery

#### Technical data

Item no.	Weight [g]	Accessories
<b>GR07.021</b>	96	Mounting bracket: GR07.022 (p.353) Mounting bracket: GR07.024 (p.353) Mounting bracket: GR07.026 (p.355) Mounting bracket: GR07.028 (p.355) Extension tube: GR06.022 (p.90) Cross clamp: GR02.022 (p.83) Angle clamp: GR02.013A (p.79)

#### Dimensions









Control technology and system monitoring at a glance.....	358
Pressure regulators.....	360
Vacuum filters.....	364
Valve technology.....	366
Vacuum/Pressure switches.....	376



## FIPA Control technology and system monitoring



### "Inline" pressure regulators

- > Limitation of holding force of grippers
- > Defined reduction in operating pressure for ejectors
- > Models with integrated gauge (32.582 - 32.586)

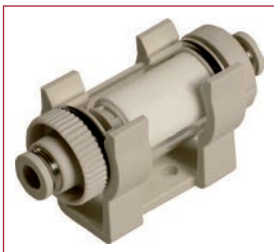
> See page 360



### Vacuum regulators

- > Maintain system vacuum independent of porosity of workpiece and fluctuations of vacuum supply

> See page 362



### Vacuum filters

- > Retent impurities and liquids taken in the vacuum system for example by vacuum cups or pumps
- > Protect vacuum pumps or ejectors from damage or excessive wear

> See page 364



### Flow control valves

- > Maintain system vacuum by closing non-covered suction openings
- > Handling of dense or porous workpieces

> See page 366



## FIPA Control technology and system monitoring



### Pressure valves

- > Control of compressed air circuits
- > Optional construction of valve clusters

> See page 367



### Vacuum valves

- > 2/2-way and 3/2-way valves with short switching times and high flow for fast vacuum build-up
- > Optional construction of valve clusters

> See page 371



### Vacuum/Pressure switches

- > Monitoring of vacuum / compressed air and optimize cycle times and improve gripper system efficiency

#### Mini vacuum switch 20.040/20.041

- > PNP/NPN Outputs
- > Hysteresis is fixed
- > LED-diode



#### Vacuum switch 20.021/20.022

- > 2 x PNP outputs
- > 7-segment LED-display
- > Compact, round design (20.022)

> See page 376



### Mounting brackets for vacuum switches and pressure switches

- > Adapters and mounting brackets for flange assembly, front panel mounting or mounting on extrusions

> See page 380

For additional products please refer to the FIPA Vacuum Technology Catalog. Our technical customer service will be happy to help you find the optimal products for your application. (email: [info@fipa.com](mailto:info@fipa.com); phone: +49 89 962489-0)



### "Inline" pressure regulators with pressure gauge



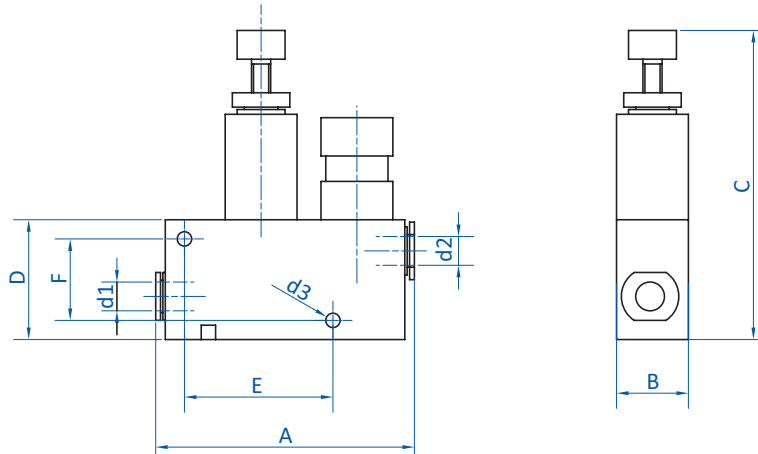
#### Product notes

- > Defined reduction in operating pressure for ejectors, limitation of holding force of grippers
- > Easy installation thanks to vertical and horizontal cross holes
- > Pressure adjustment by means of knurled screw, pressure monitoring by means of gauges (readout in MPa)
- > Integrated overpressure protection
- > Only suitable for compressed air

#### Technical data

Item no.	Operating pressure [bar (psi)]	Regulating range [bar (psi)]	Accuracy ( $\pm$ ) [%]	Operating temperature [ $^{\circ}$ C ( $^{\circ}$ F)]	Weight [g]
32.582	0 - 9 (0 - 130.5)	1 - 8 (14.5 - 116)	5	0 - 60 (32 - 140)	48
32.583	0 - 9 (0 - 130.5)	1 - 8 (14.5 - 116)	5	0 - 60 (32 - 140)	48
32.584	0 - 9 (0 - 130.5)	1 - 8 (14.5 - 116)	5	0 - 60 (32 - 140)	48
32.585	0 - 9 (0 - 130.5)	1 - 8 (14.5 - 116)	5	0 - 60 (32 - 140)	73
32.586	0 - 9 (0 - 130.5)	1 - 8 (14.5 - 116)	5	0 - 60 (32 - 140)	73

#### Dimensions



Item no.	d1 [mm]	d2 [mm]	d3 [mm]	A [mm]	B [mm]	C [mm]	D [mm]	E [mm]	F [mm]
32.582	4	4	3.2	55	15	63	25	30	17
32.583	6	4	3.2	55.5	15	63	25	30	17
32.584	6	6	3.2	56	15	63	25	30	17
32.585	8	6	3.2	69	19	67.5	29	39	21
32.586	8	8	3.2	69	19	67.5	29	39	21



"Inline" pressure regulators



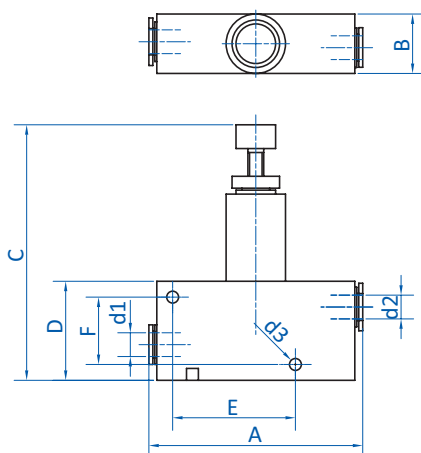
Product notes

- > Defined reduction in operating pressure for ejectors, limitation of holding force of grippers
- > Pressure adjustment by means of knurled screw
- > Integrated overpressure protection
- > Only suitable for compressed air

Technical data

Item no.	Operating pressure [bar (psi)]	Regulating range [bar (psi)]	Accuracy (±) [%]	Operating temperature [°C (°F)]	Weight [g]
32.577	0 - 9 (0 - 130.5)	1 - 8 (14.5 - 116)	5	0 - 60 (32 - 140)	36
32.578	0 - 9 (0 - 130.5)	1 - 8 (14.5 - 116)	5	0 - 60 (32 - 140)	36
32.579	0 - 9 (0 - 130.5)	1 - 8 (14.5 - 116)	5	0 - 60 (32 - 140)	36
32.580	0 - 9 (0 - 130.5)	1 - 8 (14.5 - 116)	5	0 - 60 (32 - 140)	60
32.581	0 - 9 (0 - 130.5)	1 - 8 (14.5 - 116)	5	0 - 60 (32 - 140)	60

Dimensions



Item no.	d1 [mm]	d2 [mm]	d3 [mm]	A [mm]	B [mm]	C [mm]	D [mm]	E [mm]	F [mm]
32.577	4	4	3.2	44	15	63	25	30	17
32.578	6	4	3.2	44.5	15	63	25	30	17
32.579	6	6	3.2	45	15	63	25	30	17
32.580	8	6	3.2	57	19	68	29	39	21
32.581	8	8	3.2	57	19	68	29	39	21



### Vacuum regulators



Vacuum regulator 33.105 with vacuum gauge

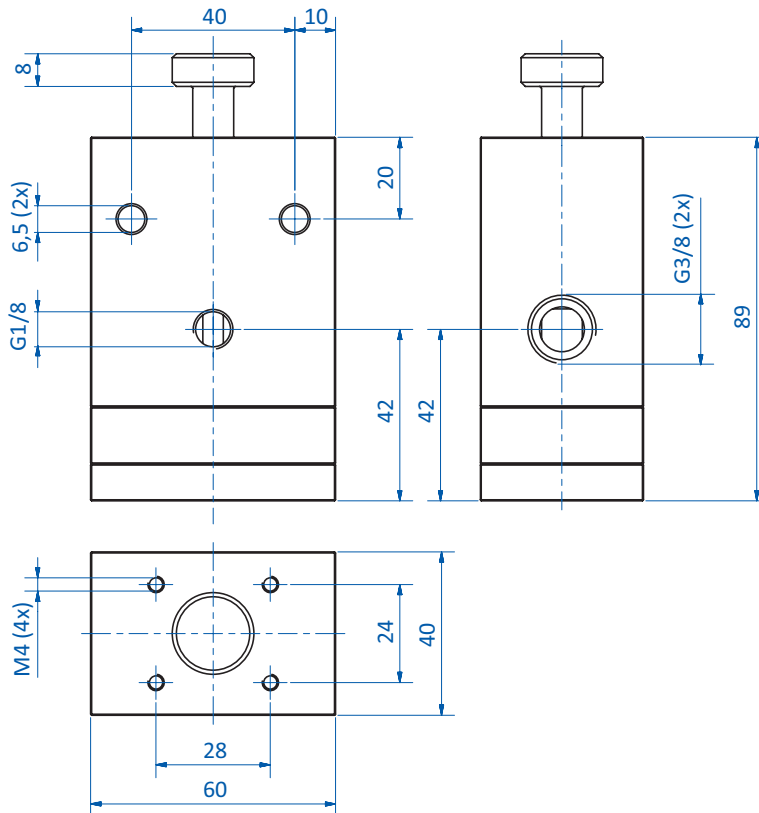
### Product notes

- > Vacuum adjustment of consumer loads, such as vacuum cups in handling systems
- > Integration of a vacuum gauge recommended
- > Blow-off is possible if vacuum gauge is not connected
- > Any installation position
- > Vacuum gauge not included in scope of delivery

### Technical data

Item no.	Max. flow rate [m <sup>3</sup> /h]	Regulating range [mbar (psi)]	Operating temperature [°C (°F)]	Weight [kg]	Suitable vacuum gauge
33.105	10	-200 - -999 (-2.9 - -14.5)	-10 - 80 (14 - 176)	0.6	91.001
33.120	80	-200 - -999 (-2.9 - -14.5)	-10 - 80 (14 - 176)	2.1	91.003

### Dimensions

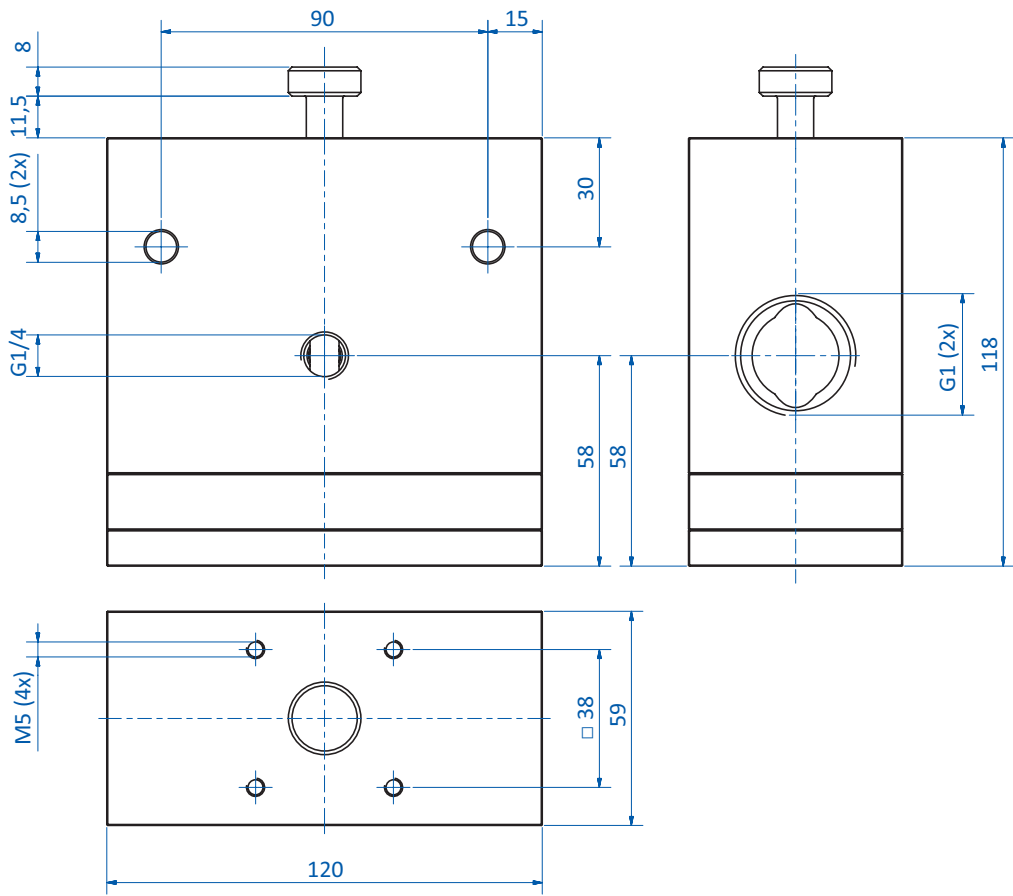


33.105





Dimensions



33.120



### Plug-in filters



71.070 and 71.071: plug-in pipe ( $\varnothing$  d1) fits in  $\varnothing$  4 mm / 6 mm tubing connections

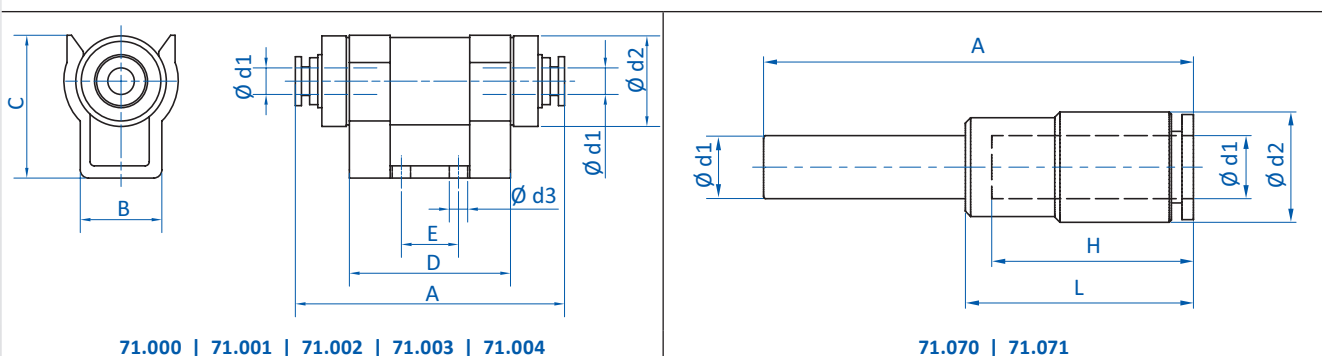
### Product notes

- > Trapping impurities and liquids which can be suctioned via the vacuum cup or other systems
- > To protect vacuum components (e.g. ejectors) from damage or excessive wear
- > 71.000 - 71.004: economical use due to replaceable filter cartridges

### Technical data

Item no.	Filter surface [cm <sup>2</sup> ]	Grade of filtration [ $\mu$ m]	Weight [g]	Accessories
71.000	7.5	10	16	Mounting bracket: VFUH2 Spare cartridge: 71.005-Kartusche
71.001	7.5	10	17	Mounting bracket: VFUH2 Spare cartridge: 71.005-Kartusche
71.002	12.5	10	25	Mounting bracket: VFUH3 Spare cartridge: 71.006-Kartusche
71.003	12.5	10	27	Mounting bracket: VFUH3 Spare cartridge: 71.006-Kartusche
71.004	12.5	10	33	Mounting bracket: VFUH3 Spare cartridge: 71.006-Kartusche
71.070	0.8	10	1.5	--
71.071	1.1	10	2.5	--

### Dimensions



Item no.	$\varnothing$ d1 [mm]	$\varnothing$ d2 [mm]	$\varnothing$ d3 [mm]	A [mm]	B [mm]	C [mm]	D [mm]	E [mm]	H [mm]	L [mm]
71.000	4	18.5	4.5	58	18	29	33	10	--	--
71.001	6	18.5	4.5	60	18	29	33	10	--	--
71.002	6	22.2	4.5	66.5	20	35	39.5	14	--	--
71.003	8	22.2	4.5	70.1	20	35	39.5	14	--	--
71.004	10	22.2	4.5	72.7	20	35	39.5	14	--	--
71.070	4	8	--	38.6	--	--	--	--	11	21.5
71.071	6	10	--	41	--	--	--	--	11.6	21.8



### Filter / Condensate trap Precipitation of condensable vapors



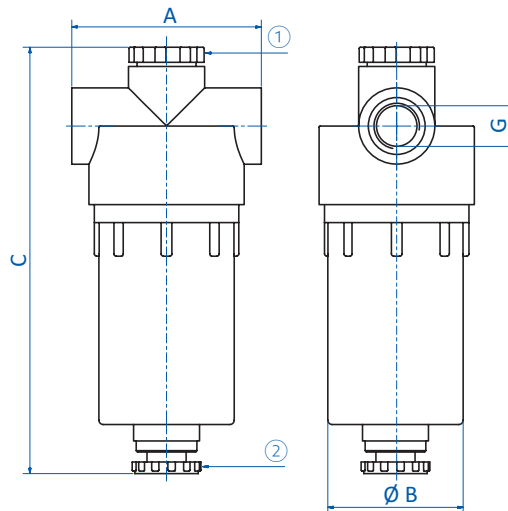
#### Product notes

- > Efficient and reliable separation of water droplets out of vacuum systems
- > Easy installation after vacuum pumps or ejectors
- > Housing made of transparent plastics for filtration monitoring
- > Drainage valve at the bottom to discharge the collected condensate
- > Filter needs to be ventilated before opening

#### Technical data

Item no.	Max. volume flow [m³/h]	Max. filling capacity [cm³]	Grade of filtration [µm]	Filter material	Max. input pressure [bar (psi)]	Max. operating temperature [°C (°F)]	Weight [kg]	Suitable spare cartridges
71.035	10.6	30	100	Stainless steel mesh	7.3 (105.9)	122 (252)	0.6	71.035-Kartusche
71.036	17.7	25	50	Polyethylene - sintered	7.3 (105.9)	122 (252)	0.8	71.036-Kartusche
71.037	21.2	40	30	Synthetic felt	0.5 (7.3)	122 (252)	1.7	71.037-Kartusche
71.038	35.3	50	30	Synthetic felt	7.3 (105.9)	122 (252)	5	71.038-Kartusche
71.039	58.9	100	30	Synthetic felt	7.3 (105.9)	122 (252)	9.3	71.039-Kartusche

#### Dimensions



① = Bleeding screw ② = Blow-off screw

Item no.	G	A [mm]	Ø B [mm]	C [mm]
71.035	G3/8	80	75	135
71.036	G1/2	87	60	196
71.037	R3/4	125	100	255
71.038	G1	175	150	370
71.039	G1 1/2	220	190	450



### Flow control valves with flow pin

For handling of porous products



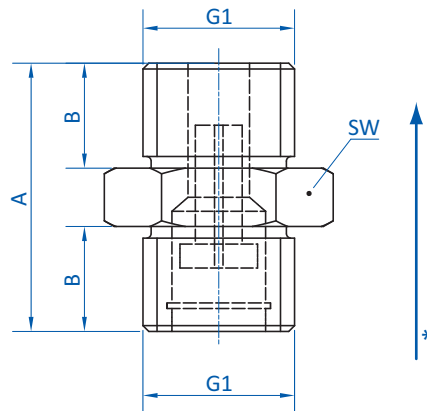
#### Product notes

- > Sealing of unused suction openings to maintain the system vacuum
- > Limited leakage prevents premature triggering with porous workpieces
- > Compact design
- > Optimal installation position is vertical

#### Technical data

Item no.	Suction power to achieve 30 % vacuum [NI/min]	Suction power to achieve 60 % vacuum [NI/min]	Max. flow rate with blow-off at 5 bar (72.5 psi) [NI/min]	Flow pin bore hole diameter [mm]	Leakage loss [m <sup>3</sup> /h]	Weight [g]
63.036	5	5	370	0.8	0.46	8
63.037	11	11	620	1.2	1.04	8
63.038	17	18	480	1.5	1.62	8
63.055	3	3	320	0.6	0.21	8

#### Dimensions



\* = Flow direction

Item no.	G1	A [mm]	B [mm]	SW
63.036	G1/4	23	9	17
63.037	G1/4	23	9	17
63.038	G1/4	23	9	17
63.055	G1/8	16	5	12

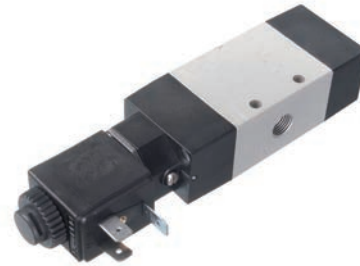


### Solenoid valves for compressed air

Indirectly controlled, with spring reset



36.060



36.061

#### Product notes

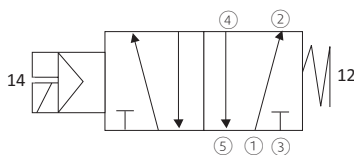
- > Suitable for compressed air
- > 36.060: for use e.g. to increase cycle times for ejectors without valve technology  
Example: vacuum and blow-off control for multi-chamber ejectors e.g. 65.410
  - 1x compressed air vacuum generation
  - 1x compressed air blow-off
- > 36.061: for use e.g. as a blow-off control valve for 3/2-way vacuum valves
- > Robust and lightweight housing
- > Included in scope of delivery: coil and DIN plug 10.006 for 24 VDC, IP65

#### Technical data

Item no.	Nominal width [mm]	Nominal flow rate at 6 bar [m <sup>3</sup> /h]	Control pressure [bar (psi)]	Design	Supply voltage [VDC]	Duty ratio [%]	Max. power consumption [W]	Protection class	Material	Operating temperature [°C (°F)]	Weight [g]
36.060	6	37.2	2.5 - 10 (36.3 - 145)	5/2	24	100	3.8	IP65	High resistant, fiberglass reinforced Polyarylamide (IXEF®)	-5 - 50 (23 - 122)	180
36.061	6	37.2	2.5 - 10 (36.3 - 145)	3/2	24	100	3.8	IP65	High resistant, fiberglass reinforced Polyarylamide (IXEF®)	-5 - 50 (23 - 122)	260

#### Wiring diagrams

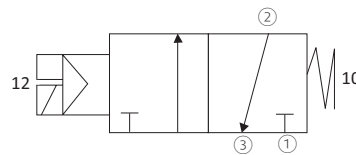
36.060



##### Assignment

- ① Compressed air inlet
- ②, ④ Working connection
- ③, ⑤ Bleeding

36.061



##### Assignment

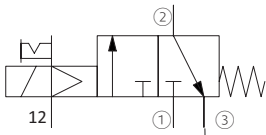
- ① Compressed air inlet
- ② Working connection
- ③ Bleeding (e.g. 72.016): This connects valve to atmospheric pressure and enables release of product in case of failure of compressed air line

Continued on the next page →



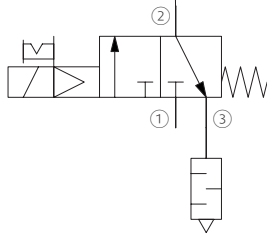
### Application example: usage of 36.061 as control valve to activate blow-off of 3/2-way vacuum valves (here: valve 36.520)

36.520



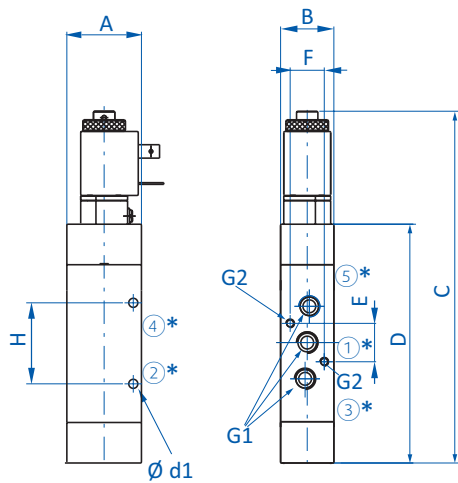
- Assignment
- ① Vacuum supply
  - ② Product side
  - ③ Ventilation (blow-off)

36.061

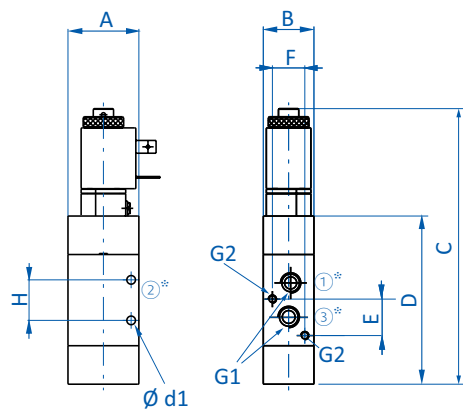


- Assignment
- ① Compressed air inlet
  - ② Compressed air output
  - ③ Use of silencer (e.g. 72.016): This connects valve to atmospheric pressure and enables release of product in case of failure of compressed air line

### Dimensions



36.060



36.061

\* = Assignment see wiring diagrams

Item no.	G1	G2	A [mm]	B [mm]	C [mm]	D [mm]	Ø d1 [mm]	E [mm]	F [mm]	H [mm]
36.060	G1/8	M4	35	25	153	100	4.25	18	16	38
36.061	G1/8	M4	35	25	136	83	4.25	18	16	20



### 2/2-way electromagnetic vacuum valves, directly controlled



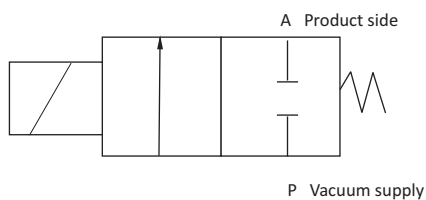
#### Product notes

- > Very high suction power at small size for short evacuation time and fast vacuum build-up
- > Short response time
- > Robust brass housing and compact design for demanding applications
- > Also suitable for positive pressure
- > Incl. energy-saving coil for minimized power consumption and less heat development
- > Energy-saving coil 24 VDC or 230 VAC and DIN plug IP65 included
- > Further available voltages:
  - VAC: 115, 48, 24
  - VDC: 12

#### Technical data

Item no.	36.004-24VDC	36.004-230VAC
Nominal width [mm]	7	7
Nominal flow rate [m <sup>3</sup> /h]	4.8	4.8
Pressure range [bar (psi)]	-0.99 - 5 (-14.4 - 72.5)	-1 - 4 (-14.5 - 58)
Operating principle	NC	NC
Switching time [ms]	20	20
Power-on time [ED]	100 %	100 %
Max. power consumption [W]	18	9
Protection class	IP65	IP65
Operating temperature [°C (°F)]	-10 - 60 (14 - 140)	-10 - 60 (14 - 140)
Weight [g]	520	520
Accessories	Plug: 10.007 Coil: 10.0050/24VDC	Plug: 10.007 Coil: 10.0050/230VAC

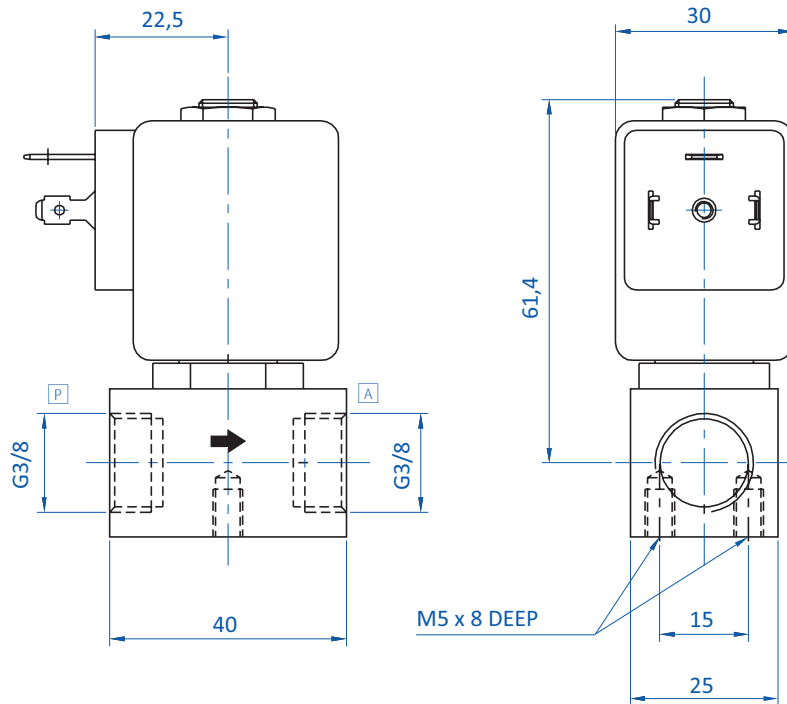
#### Wiring diagram



Continued on the next page →



### Dimensions



A = Product side P = Vacuum supply





### 3/2-way solenoid vacuum valve, directly controlled



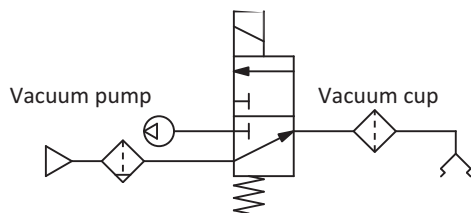
#### Product notes

- > Very high suction power at small size for short evacuation time and fast vacuum build-up
- > Small, compact and lightweight
- > Suction on/off, blow-off or ventilation of vacuum cups
- > HNBR diaphragm allows for flexible installation due to resistance against low ozone concentrations
- > Fast switching time
- > Factory set NO, can be switched to NC by the customer
- > To be mounted in any position
- > Resistance against low ozone concentration
- > Included in scope of delivery: coil 24 VDC and DIN plug
- > Other voltages on request

#### Technical data

<b>Item no.</b>	<b>36.003</b>
<b>Connection</b>	G 1/4
<b>Nominal width [mm]</b>	4.5
<b>Nominal flow rate [m<sup>3</sup>/h]</b>	2.1
<b>Pressure range [bar (psi)]</b>	-1 - 0 (-14.5 - 0)
<b>Max. switching frequency [Hz]</b>	10
<b>Response time [ms]</b>	20
<b>Protection class</b>	IP65
<b>Operating principle</b>	NC/NO
<b>Duty ratio [%]</b>	75
<b>Operating voltage [VDC]</b>	24
<b>Power consumption [W]</b>	4
<b>DIN-plug</b>	Yes
<b>Operating temperature [°C (°F)]</b>	-10 - 50 (14 - 122)
<b>Weight [g]</b>	155

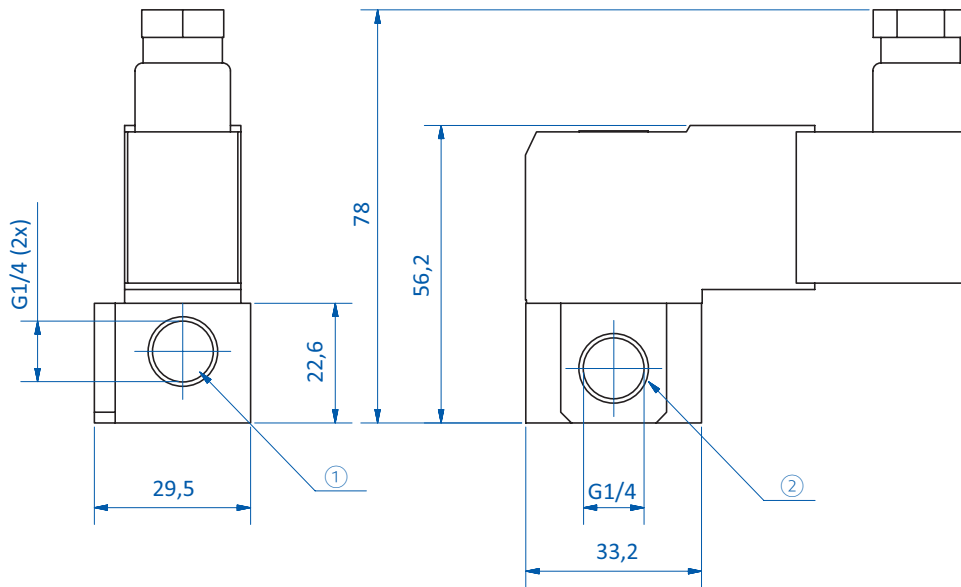
#### Wiring diagram



Continued on the next page →



### Dimensions



① = Vacuum supply ② = Compressed air, blow-off



### 3/2-way solenoid vacuum valves, pneumatically supported with spring reset



36.210 | 36.211



36.515 - 36.525

#### Product notes

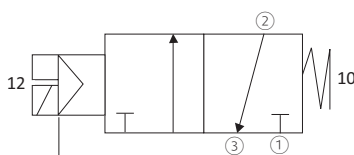
- > Suction, blow-off, ventilation of vacuum cups
- > High suction power at small construction for short evacuation times and fast vacuum build-up
- > Short switching times
- > Function: NC/NO as vacuum supply and blow-off/ventilation inlets can be exchanged
- > NO: safe gripping of workpiece during power failure
- > Robust and lightweight housing
- > 36.210 and 36.211: coil and DIN plug included in scope of delivery
- > 36.515 - 36.525: delivery without coil and plug; please order: Power consumption: 24 VDC: 5 W, 230 VAC: 5 W

#### Technical data

Item no.	Nominal width [mm]	Nominal flow rate [m <sup>3</sup> /h]	Pressure range [bar (psi)]	Operating principle	Control pressure [bar (psi)]	Switching time [ms]	Material	Operating temperature [°C (°F)]	Weight [g]	Accessories
36.210	10	10	-0.99 - 0 (-14.4 - 0)	NC	2.5 (36.3)	22	Aluminum anodized	-5 - 50 (23 - 122)	360	--
36.211	10	10	-0.99 - 0 (-14.4 - 0)	NO	2.5 (36.3)	22	Aluminum anodized	-5 - 50 (23 - 122)	360	--
36.515	15	20	-0.99 - 0 (-14.4 - 0)	NO/NC	2.5 (36.3)	90	High resistant, fiberglass reinforced Polyarylamide (IXEF®)	-5 - 50 (23 - 122)	390	Solenoid coil: 10.0058/230VAC Solenoid coil: 10.0052/24VDC Plug: 10.006
36.520	20	40	-0.99 - 0 (-14.4 - 0)	NO/NC	2.5 (36.3)	90	High resistant, fiberglass reinforced Polyarylamide (IXEF®)	-5 - 50 (23 - 122)	370	Solenoid coil: 10.0058/230VAC Solenoid coil: 10.0052/24VDC Plug: 10.006
36.525	25	90	-0.99 - 0 (-14.4 - 0)	NO/NC	2.5 (36.3)	90	High resistant, fiberglass reinforced Polyarylamide (IXEF®)	-5 - 50 (23 - 122)	500	Solenoid coil: 10.0058/230VAC Solenoid coil: 10.0052/24VDC Plug: 10.006

#### Wiring diagrams

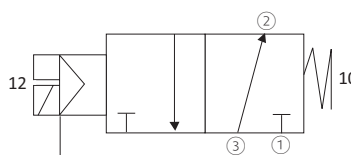
NO: Normally open



Assignment:

- ① = P (ventilation (blow-off))
- ② = A (product side)
- ③ = R (vacuum supply)

NC: Normally closed



Assignment:

- ① = P (vacuum supply)
- ② = A (product side)
- ③ = R (ventilation (blow-off))

Continued on the next page →



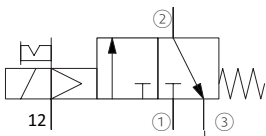
### Pilot valve



- > Manual mode for functional test: setscrew in position "0"
- > Automatic mode: setscrew in position "1"

### Wiring diagram: how to combine vacuum valve with pneumatic control valve for blow-off

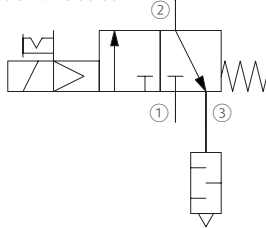
Vacuum valve 36.520



#### Assignment

- ① Vacuum supply
- ② Product side
- ③ Ventilation (blow-off)

Control valve 36.061



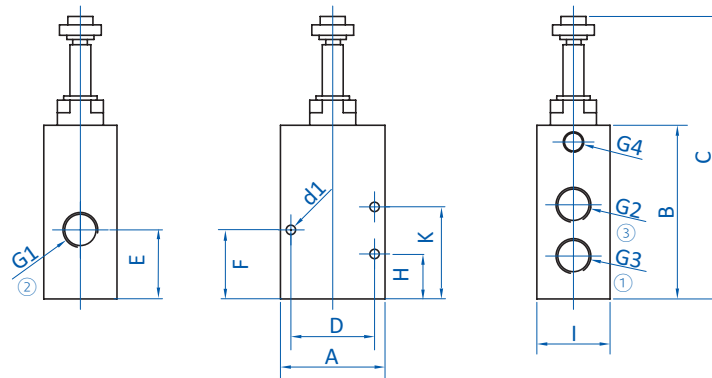
#### Assignment

- ① Compressed air inlet
- ② Compressed air output
- ③ Use of silencer (e.g. 72.016): This connects valve to atmospheric pressure and enables release of product in case of failure of compressed air line

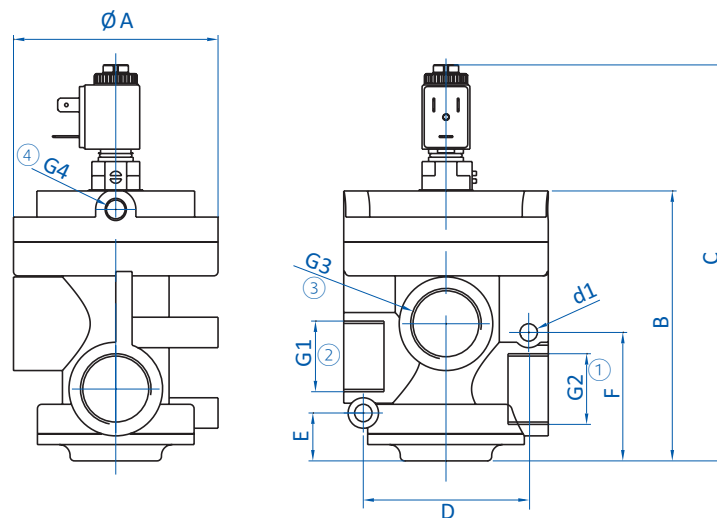
Application example: 3/2-way vacuum valves 36.520 with control valve 36.061



### Dimensions



36.210 | 36.211



36.515 | 36.520 | 36.525

① = Vacuum supply/Ventilation (blow-off) ② = Product side ③ = Ventilation (blow-off) / Vacuum supply ④ = Control pressure connection

Item no.	G1	G2	G3	G4	Ø A [mm]	A [mm]	B [mm]	C [mm]	D [mm]	d1 [mm]	E [mm]	F [mm]	H [mm]	I [mm]	K [mm]
36.210	G3/8	G3/8	G3/8	G1/8	--	50	83	137	40	4.5	33	32.8	22.5	35	44
36.211	G3/8	G3/8	G3/8	G1/8	--	50	83	137	40	4.5	33	32.8	22.5	35	44
36.515	G1/2	G1/2	G1/2	G1/8	75	--	101	155	63	6.5	22.5	55	--	--	--
36.520	G3/4	G3/4	G3/4	G1/8	75	--	101	155	63	6.5	22.5	55	--	--	--
36.525	G1	G1	G1	G1/8	92	--	114.5	168.5	63	6.9	22	58	--	--	--



### Vacuum switch – electronic with analog output



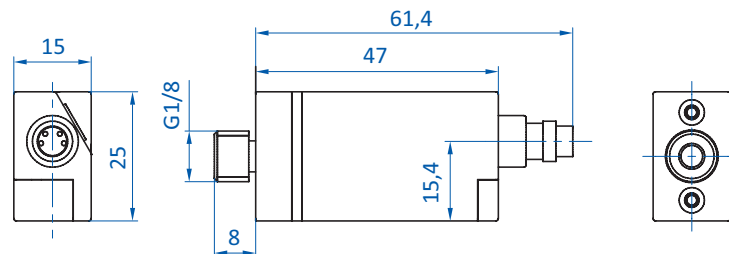
#### Product notes

- > Analog output enables monitoring of the continuous vacuum trend
- > Compact and light design for installation directly on the vacuum cup
- > LED-display in plug connection
- > As an option: mounting rail 20.008-H incl. slot nuts for mounting the vacuum switch, e.g. on FIPA SLine extrusions

#### Technical data

<b>Item no.</b>	<b>20.007</b>
<b>Adjustable range [mbar (psi)]</b>	-999 - 0 (-14.5 - 0)
<b>Hysteresis</b>	0 - 30 %
<b>Analog output [VDC]</b>	1 - 5
<b>Switching logic</b>	Contact breaker (NC)
<b>Response time [ms]</b>	< 5
<b>Thermal error</b>	± 3 % from measuring range
<b>Overpressure safety [bar (psi)]</b>	3 (43.5)
<b>Supply voltage [VDC]</b>	18 - 30
<b>Current consumption [mA]</b>	< 20
<b>Electric connection</b>	Plug M8x1, 4-pin
<b>Protection class</b>	IP50
<b>Suitable media</b>	Dry, unoled air and non-abrasive gases
<b>Operating temperature [°C (°F)]</b>	0 - 50 (32 - 122)
<b>Weight [g]</b>	85
<b>Accessories</b>	Mounting rail: 20.008-H Connector cable: 20.501 (p.410) Connector cable: 20.502 (p.410)

#### Dimensions





### Mini vacuum switch – electronic with digital output



Example: mini vacuum switch 20.040 on ejector EBA.08H.2-A and flat vacuum cup Ø 40 mm

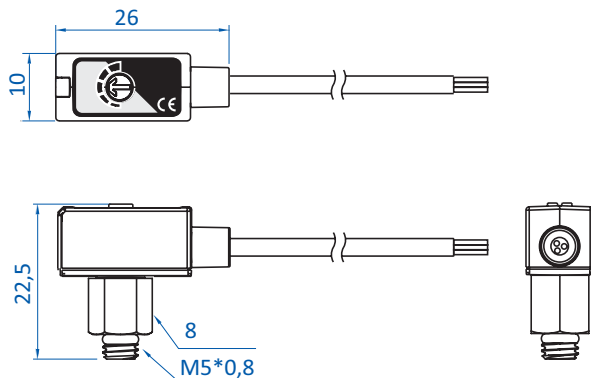
#### Product notes

- > Switch outputs a digital signal when a specific vacuum level is reached
- > Vacuum level is manually set with a potentiometer screw
- > Hysteresis is fixed
- > Red LED indicates set level reached
- > Space-saving installation on ejectors thanks to very small design
- > Included in scope of delivery: cable 1.5 m, 3-pole, open wire

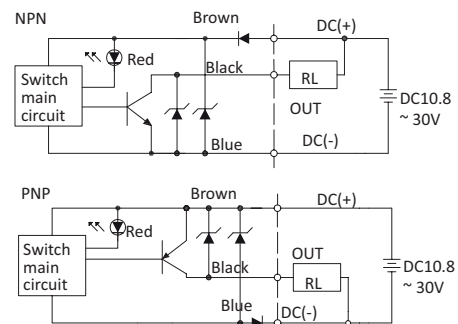
#### Technical data

Item no.	20.040	20.041
Adjustable range [mbar (psi)]	-990 - 0 (-14.4 - 0)	-990 - 0 (-14.4 - 0)
Hysteresis	3 % from default setting	3 % from default setting
Digital switching outputs	PNP	NPN
Response time [ms]	~ 1	~ 1
Repeat accuracy [%]	≤ ± 1 % from measuring range	≤ ± 1 % from measuring range
Overpressure safety [bar (psi)]	2 (29)	2 (29)
Supply voltage [VDC]	10.8 - 30	10.8 - 30
Max. current consumption [mA]	10	10
Vacuum connection	M5	M5
Protection class	IP40	IP40
Suitable media	Filtered, oiled or unoled air or neutral gases	Filtered, oiled or unoled air or neutral gases
Operating temperature [°C (°F)]	0 - 60 (32 - 140)	0 - 60 (32 - 140)
Weight [g]	20	20

#### Dimensions



#### Wiring diagrams





### Vacuum switch – electronic with two digital outputs and display



GS02.001



20.022

#### Product notes

- > Monitoring of vacuum levels, e.g. in handling systems
- > Optimization of cycle times to improve the economy of vacuum systems
- > Two freely adjustable digital outputs to set lower and upper threshold values
- > Additional analog output
- > 7-segment LED-display
- > Protection class IP65 (no ventilation tube required)
- > Integrated reverse voltage protection
- > Compact, lightweight and robust design
- > Flexible mounting: GS.001 can be rotated 360° after installation

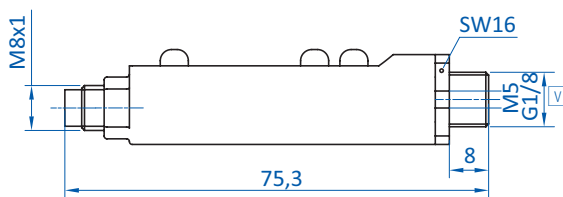
#### Notes

- > Transient emissions: EN 61000-6-4:2007; EN 61326-2-3:2006
- > Interference resistance: EN 61000-6-2:2005; EN 61326-2-3:2006
- > Vacuum values can be displayed and adjusted by the customer in following units: MPa, bar, inHg, mmHg

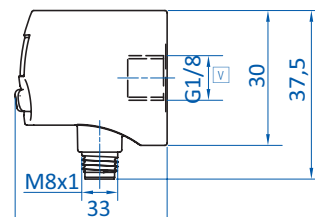
#### Technical data

Item no.	GS02.001	20.022
Measuring range [bar (inHg)]	-1 - 0 (-29.5 - 0)	-1 - 0 (-29.5 - 0)
Digital switching outputs	2x PNP (NO or NC)	2x PNP (NO or NC)
Repeat accuracy [%]	± 0.2 % from measuring range	± 0.2 % from measuring range
Overpressure safety [bar (psi)]	6 (87)	6 (87)
Supply voltage [VDC]	11 - 30	11 - 30
Current consumption [mA]	< 55	< 55
Max. switching current [mA]	125	125
Electric connection	Plug M8x1, 4-pin	Plug M8x1, 4-pin
Protection class	IP65	IP65
Suitable media	Filtered, oiled or unoled air or neutral gases	Filtered, oiled or unoled air or neutral gases
Operating temperature [°C (°F)]	0 - 50 (32 - 122)	0 - 50 (32 - 122)
Weight [g]	25	45
Accessories	Adapter: 20.522 (p.380), Adapter: 20.523 (p.380), Adapter: 20.511 (p.380), Connector cable: 20.501 (p.410), Connector cable: 20.502 (p.410), Wall clip: 20.520 (p.383)	Connector cable: 20.501 (p.410), Connector cable: 20.502 (p.410), Mounting bracket: 20.514 (p.382), Mounting bracket: 20.515 (p.382)

#### Dimensions



GS02.001



20.022

☐ = Vacuum connection





### Pressure switches – electronic with two digital switching outputs



Diagram with installation kit 20.515 for control panel installation

#### Product notes

- > Intelligent sensor for pressure monitoring
- > Adjustable with "teaching" feature
- > Switching point and hysteresis can be programmed as desired
- > Simple operation using button functions and LCD-display
- > Small and robust

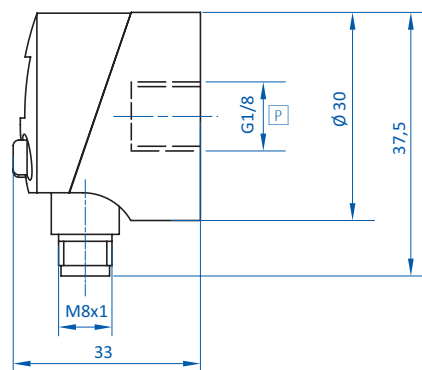
#### Notes

- > Transient emissions: EN 61000-6-4:2007; EN 61326-2-3:2006
- > Interference resistance: EN 61000-6-2:2005; EN 61326-2-3:2006
- > Vacuum values can be displayed and adjusted by the customer in following units: MPa, bar, psi

#### Technical data

<b>Item no.</b>	<b>20.023</b>
<b>Measuring range [bar (inHg)]</b>	0 - 10 (0 - 295.3)
<b>Digital switching outputs</b>	2x PNP (NO/NC)
<b>Repeat accuracy [%]</b>	± 0.2 % from measuring range
<b>Overpressure safety [bar (psi)]</b>	0.2 (2.9)
<b>Supply voltage [V]</b>	11 - 30
<b>Current consumption [mA]</b>	< 55
<b>Max. switching current [mA]</b>	125
<b>Electric connection</b>	Plug M8x1, 4-pin
<b>Protection class</b>	IP65
<b>Suitable media</b>	Filtered, oiled or unoled air or neutral gases
<b>Operating temperature [°C (°F)]</b>	0 - 50 (32 - 122)
<b>Weight [g]</b>	40
<b>Accessories</b>	Connector cable: 20.501 (p.410), Connector cable: 20.502 (p.410), Mounting bracket: 20.514 (p.382), Mounting bracket: 20.515 (p.382)

#### Dimensions



P = Compressed air connection



### Adapter and mounting brackets for vacuum switches and pressure switches



20.522 | 20.523



20.511

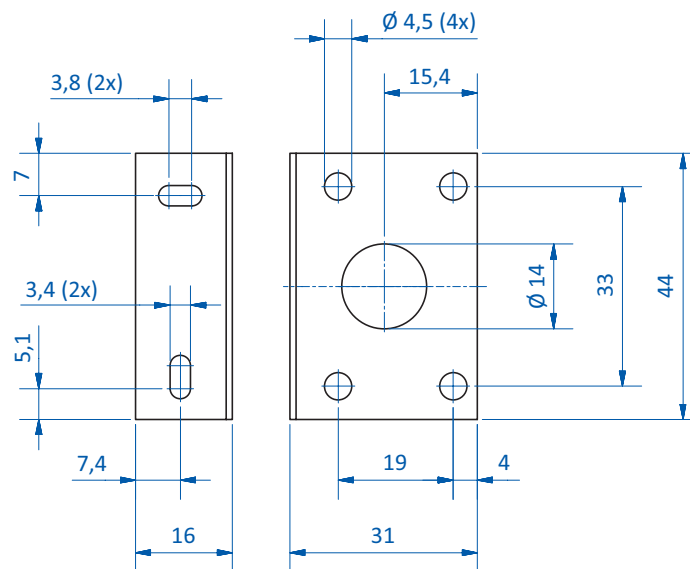
### Ordering notes

> Mounting material included in scope of delivery

### Technical data

Item no.	Description	Suitable for vacuum/pressure switches
20.511	Push-in fitting G1/8, hose- $\varnothing$ 6 mm with mounting angle	20.020, GS02.001, 20.026, 20.027
20.522	Adapter with angle bracket for flange assembly	20.020, GS02.001, 20.026, 20.027
20.523	Adapter for flange assembly	20.020, GS02.001, 20.026, 20.027

### Dimensions

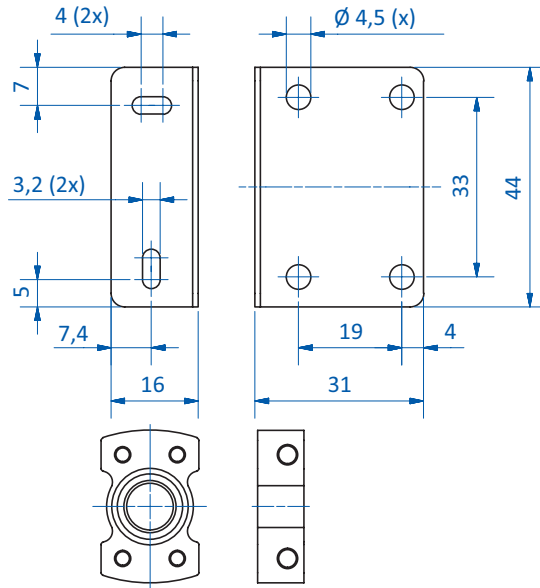


20.511

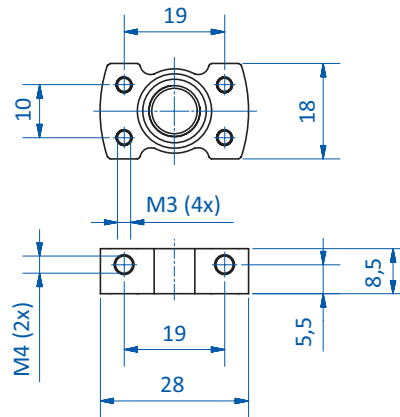
\* = Push-in fitting G1/8, tubing  $\varnothing$  6 mm not displayed



Dimensions



20.522

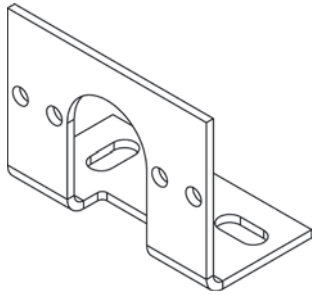


20.523

\* = Push-in fitting G1/8, tubing Ø 6 mm not displayed



### Mounting frame and brackets for front panel mounting



Example application: gauge 20.023 with installation kit 20.515

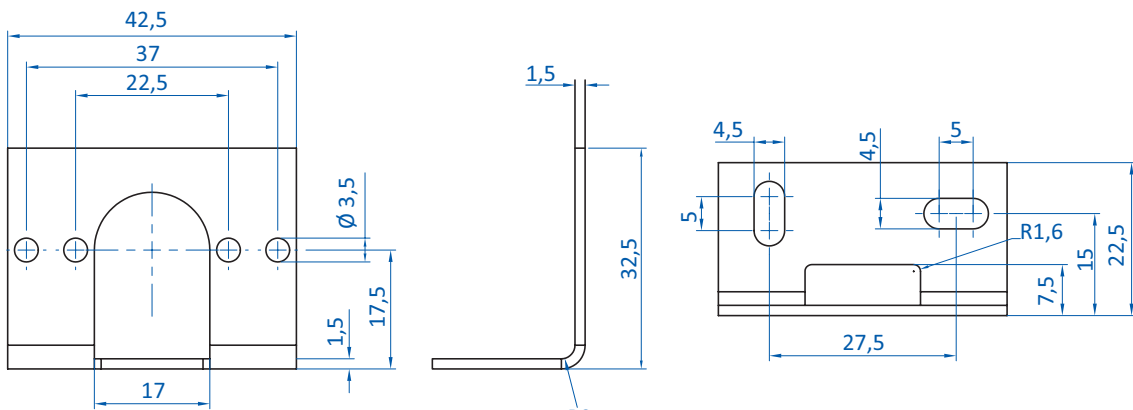
### Product notes

- > Mounting material included in scope of delivery

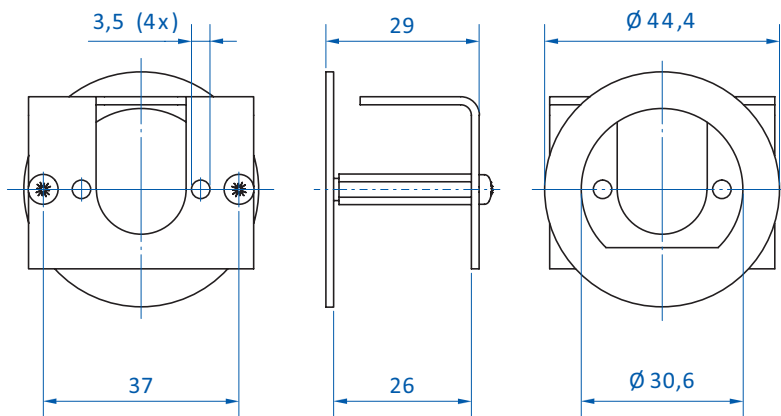
### Technical data

Item no.	Description	Suitable for vacuum/pressure switches
20.514	Bracket	20.022, 20.023, 91.012
20.515	Mounting frame with bracket	20.022, 20.023, 91.012

### Dimensions



20.514



20.515

\* = Installation frame drilling dimensions



Clip 16 mm for wall mounting

Suitable for vacuum switches 20.020 and GS02.001



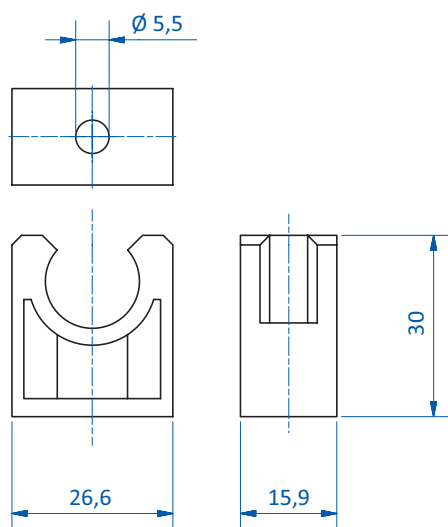
## Product notes

> Mounting via through hole  $\varnothing$  5 mm located centric at bottom side

## Technical data

Item no.	Suitable for vacuum/pressure switches
20.520	20.020, GS02.001

## Dimensions





Vacuum generation at a glance .....	386
Inline ejectors .....	388
Base ejectors .....	390
Heavy-duty ejectors .....	392
Ejectors with air saving function .....	394
Silencers for vacuum ejectors .....	398



## FIPA Vacuum generation



- > FIPA offers a broad range of vacuum generators – pneumatically operated or motor-driven
- > High suction power for short gripping time



### Inline ejectors EIL

- > Easy installation directly in the tubing line close to the vacuum cup
- > Small and light
- > See page 388



### Base ejectors with integrated blow-off

- > Installation directly on vacuum cups
- > Small and light
- > Ideally suited for robotic applications with very short cycles such as Delta Robots or similar
- > See page 390



### Heavy-duty ejectors

- > Compensation of compressed air fluctuations between 3 and 6 bar
- > Additional inlet for blow-off for fast product release or vacuum switch connection for process monitoring (65.111, 65.130)
- > Rectangular design enables block assembly in centralized or decentralized vacuum systems
- > See page 392



### Ejectors with air-saving function EMA

- > Electronic vacuum and blow-off control
- > Electronic air-saving function reduces operating costs up to 90 % with dense workpieces
- > Compact design, installation near to the vacuum cup
- > See page 394





FIPA Vacuum generation



**Rotary vane vacuum pumps – oil-free**

- > Handling of dense workpieces in dry areas
- > Suitable for load alternation and continuous operation
- > Available in single-phase and three-phase designs
- > Any installation position
- > Very low maintenance



**Piston pumps**

- > Small output at compact design
- > Suitable for dry and wet areas
- > Long-life and low maintenance thanks to the permanently lubricated piston seals
- > Oil-free operation
- > Also suitable as compressors



**Rotary vane vacuum pumps – oil-lubricated**

- > Handling dense and porous workpieces
- > Partially suitable for applications in wet areas
- > Suitable for continuous operation in product-dependent vacuum levels
- > Available in single-phase and three-phase designs
- > Horizontal installation position



**Centralized vacuum units**

- > Supply of several modules via a central station
- > Made up of one to three oil-lubricated vacuum pumps
- > Incl. vacuum tank and electronic control



On request

**Side channel blowers – single-stage and double-stage**

- > Handling of porous workpieces, such as cardboard boxes or untreated wooden pallets
- > Double-stage design offers higher suction power at the same vacuum level for effective leak compensation
- > Suitable for use in wet and dry areas
- > Suitable for continuous operation
- > Horizontal and vertical installation
- > Practically maintenance-free



**Accessories**

**Vacuum tanks**

- > Storage for compressed air, vacuum and non-aggressive liquids
- > Energy-saving assembly of compressed air and vacuum
- > For compressed air / vacuum networks with fluctuating demand

For additional product information please refer to the FIPA Vacuum Technology Catalog. Our technical customer service will be happy to help you find the optimal products for your application. (email: info@fipa.com; phone: +49 89 962489-0)



### Inline ejectors EIL

Compressed air and vacuum connection via quick fittings, lateral exhaust



☐ = Vacuum connection ☐ = Compressed air connection ☐ = Exhaust outlet

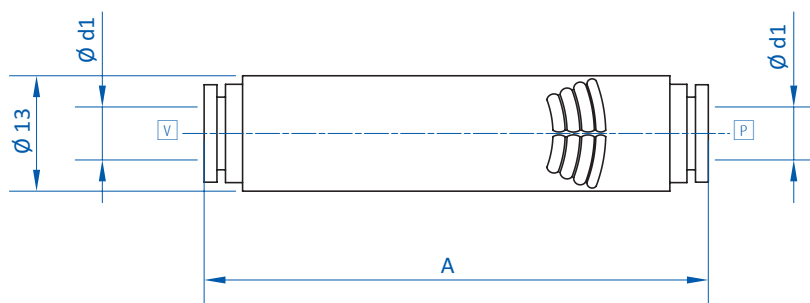
### Product notes

- > Easy installation directly in the tubing line close to the vacuum cup
- > High suction power enables short gripping times
- > Index H: ejectors for non-air-permeable products (max. vacuum degree 85 %)
- > Index L: ejectors for air-permeable products, resp. in case of higher leakage (increased suction, max. vacuum degree 60 %)

### Technical data

Item no.	EIL.05H.1	EIL.05H.2	EIL.05L.1	EIL.05L.2	EIL.07H.1	EIL.07H.2	EIL.07L.1	EIL.07L.2
Nozzle diameter [mm]	0.5	0.5	0.5	0.5	0.7	0.7	0.7	0.7
Optimal operating pressure [bar (psi)]	5 (72.5)	5 (72.5)	5 (72.5)	5 (72.5)	5 (72.5)	5 (72.5)	5 (72.5)	5 (72.5)
Suction power at 5 bar (72.5 psi) [Nl/min]	8	8	14	14	13	13	28	28
Air consumption at 5 bar (72.5 psi) [Nl/min]	14	14	14	14	28	28	28	28
Final vacuum at 5 bar (72.5 psi) [%]	85	85	60	60	85	85	60	60
Evacuation time 0 to 70 % [s/l]	13	13	--	--	7.5	7.5	--	--
Evacuation time 0 to 45 % [s/l]	--	--	4	4	--	--	2	2
Weight [g]	13	15	13	15	13	15	13	15
Suitable plug-in filter	71.071 (p.364)	--	71.071 (p.364)	--	71.071 (p.364)	--	71.071 (p.364)	--

### Dimensions

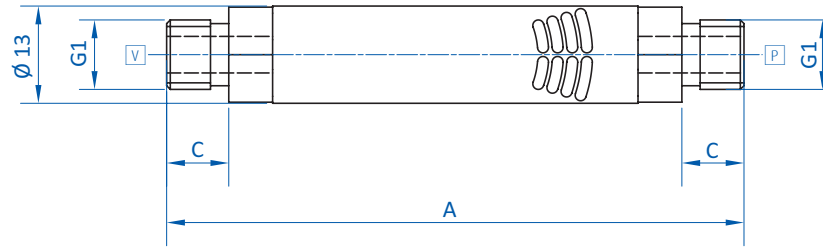


EIL.05H.1 | EIL.05L.1 | EIL.07H.1 | EIL.07L.1

☐ = Vacuum connection ☐ = Compressed air connection



### Dimensions



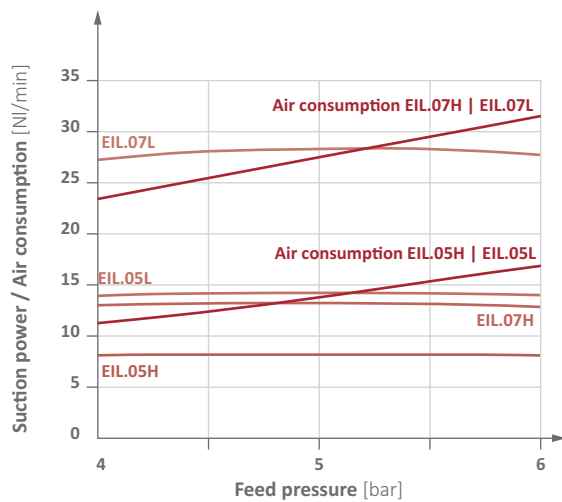
EIL.05H.2 | EIL.05L.2 | EIL.07H.2 | EIL.07L.2

V = Vacuum connection P = Compressed air connection

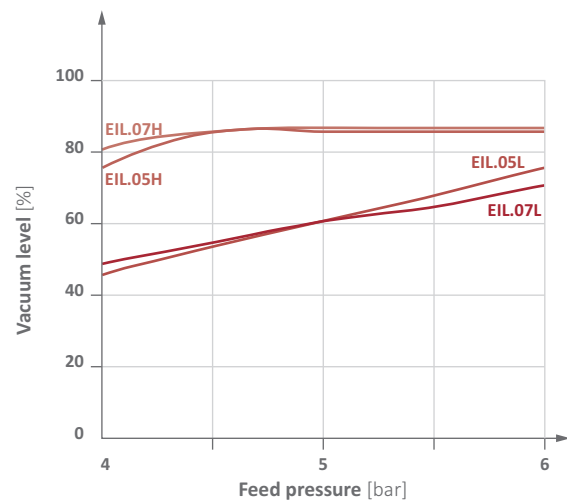
Item no.	EIL.05H.1	EIL.05H.2	EIL.05L.1	EIL.05L.2	EIL.07H.1	EIL.07H.2	EIL.07L.1	EIL.07L.2
G1	--	G1/8	--	G1/8	--	G1/8	--	G1/8
d1 [mm]	6	--	6	--	6	--	6	--
A [mm]	61	78	61	78	61	78	61	78
C [mm]	--	8	--	8	--	8	--	8

### Diagrams

> Suction power and air consumption against feed pressure



> Vacuum level against feed pressure



### Suction power [Nl/min] at vacuum level

Item no.	0 %	10 %	20 %	30 %	40 %	50 %	60 %	70 %	80 %
EIL.05H.1	8	5.3	4.2	3.9	3.3	2.5	1.3	0.4	0.1
EIL.05H.2	8	5.3	4.8	3.9	3.3	2.5	1.3	0.4	0.1
EIL.05L.1	14	11.9	9	6.8	4.3	2.2	0.1	--	--
EIL.05L.2	14	11.9	9	6.8	4.3	2.2	0.1	--	--
EIL.07H.1	13	10.8	9.2	8.1	7	5.2	4.1	2.7	1.1
EIL.07H.2	13	10.8	9.2	8.1	7	5.2	4.1	2.7	1.1
EIL.07L.1	28	26	22.1	17.6	10.8	5.4	1.9	--	--
EIL.07L.2	28	26	22.1	17.6	10.8	5.4	1.9	--	--

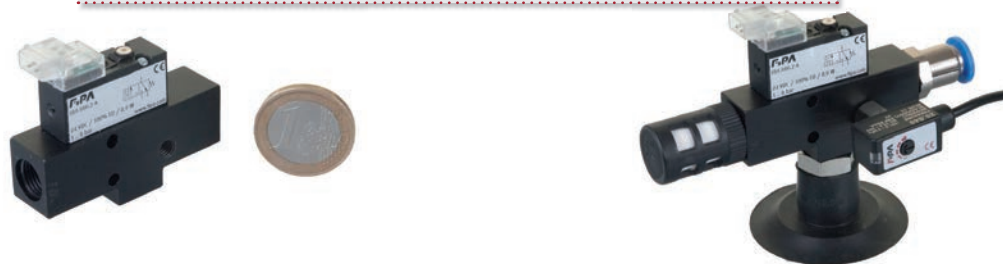


# Vacuum generation | Ejectors

Base ejectors with integrated blow-off

## Base ejectors with integrated blow-off

**VERY SHORT RESPONSE TIME, SAFE AND GENTLE PRODUCT RELEASE**



Example: ejector EBA.08H.2-A with digital mini vacuum switch 20.040, closed diffusor silencer 72.000 and flat vacuum cup  $\varnothing$  40 mm

### Product notes

- > Small and very light for installation directly on vacuum cups for fast vacuum build-up and short gripping times
- > Blow-off from a fast-reacting micro valve enables very short cycle times
- > Graded blow-off boost effect: initially the blow-off is supported by ambient air, for placement that is both quick and gentle
- > Robust design and long service life of > 100 million switching cycles
- > M5 connection for digital mini vacuum switch to ensure reliable process monitoring
- > Ideally suited for robotic applications with very short cycles such as Delta Robots (e.g. FlexPickers)

### Ordering notes

- > Included in delivery: control cable 20.550, length 1.5 m, 2-wire, free end

### Technical data

Item no.	EBA.08H.2-A
Nozzle diameter [mm]	0.8
Optimal operating pressure [bar (psi)]	5 (72.5)
Max. operating pressure [bar (psi)]	8 (116)
Final vacuum [%]	85
Suction power at 5 bar (72.5 psi) [NI/min]	25
Air consumption at 5 bar (72.5 psi) [NI/min]	30
Flow rate solenoid valve [NI/min]	15
Blow-off volumes of flow [NI/min]	110 - 45
Power-on time solenoid valve (ED) [%]	100
Power-on/-off time solenoid valve [ms]	5
Power consumption solenoid valve [W]	0.9
Control voltage	24 VDC $\pm$ 10 %
Protection class	IP40
Operating temperature [ $^{\circ}$ C ( $^{\circ}$ F)]	-10 - 50 (14 - 122)
Weight [g]	35
Accessories	Connector cable: 20.550 (p.410), Vacuum switch: 20.040 (p.377), Vacuum switch: 20.041 (p.377), Silencer: 72.000 (p.399), Silencer: 72.028 (p.398)

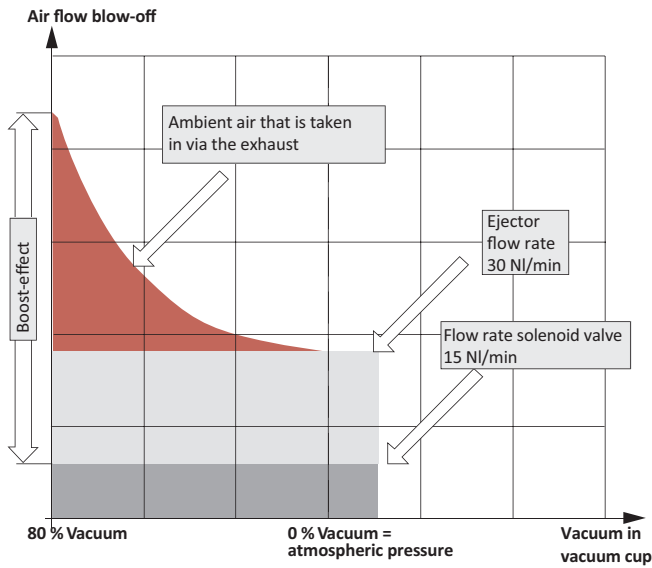
### Control cable 20.550



Cable assignment: red (+), black (-)



### Integrated blow-off with boost-effect

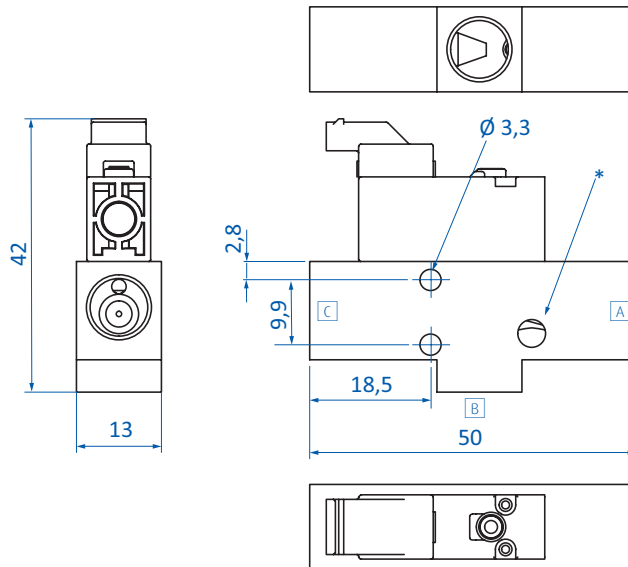


### Evacuation / Blow-off time

Evacuation / Blow-off time 1 liter volume up to % vacuum / atmospheric pressure [sec.]		
0 → 50 % / 50 % → 0	0 → 60 % / 60 % → 0	0 → 70 % / 70 % → 0
1.8 / 0.5	2.5 / 0.56	3.9 / 0.61

Evacuation / Blow-off time: example with Ø 30 mm flat suction cups, volume 1.7 cm <sup>3</sup> up to % vacuum / atmospheric pressure [ms]		
0 → 50 % / 50 % → 0	0 → 60 % / 60 % → 0	0 → 70 % / 70 % → 0
3 / <1	4 / <1	7 / 1

### Dimensions



A = Compressed air connection G1/8-female  
 B = Vacuum connection G1/8-female  
 C = Exhaust outlet G1/8-female  
 \* = M5 connection for vacuum switches



### Heavy-duty ejectors

Vacuum generation for use under harsh operating conditions



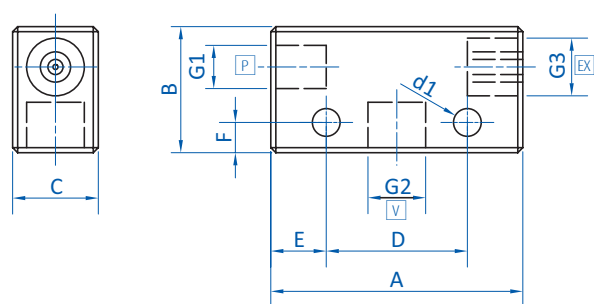
#### Product notes

- > Robust and compact aluminum housing
- > Compensation of compressed air fluctuations between 3 and 6 bar (43.5 and 87 psi)
- > Additional inlet for blow-off for fast product release or vacuum switch connection for process monitoring (65.111, 65.130)
- > Rectangular design enables block assembly in centralized or decentralized vacuum systems

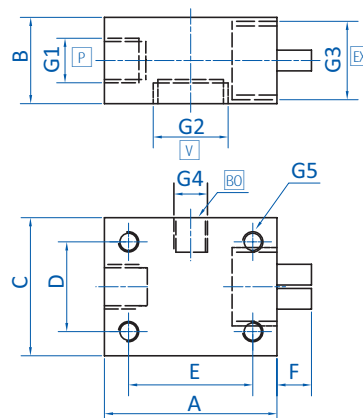
#### Technical data

Item no.	Optimal operating pressure [bar (psi)]	Max. operating pressure [bar (psi)]	Final vacuum [%]	Suction power [Nl/min]	Air consumption to 4 bar (58 psi) [Nl/min]	Evacuation time 0 to 70% [s/l]	Weight [g]	Accessories
<b>65.102A</b>	4 (58)	6 (87)	85	30	50	3.5	48	Silencer: 72.001 (p.399) Silencer: 72.029 (p.398)
<b>65.111</b>	4 (58)	6 (87)	85	33	60	3	120	Silencer: 72.002 (p.399) Silencer: 72.030 (p.398)
<b>65.120</b>	4 (58)	6 (87)	85	85	130	1.5	125	Silencer: 72.031 (p.398)
<b>65.130</b>	4 (58)	6 (87)	85	130	240	0.7	225	Silencer: 72.033 (p.398)

#### Dimensions



65.102A



65.111 | 65.120 | 65.130

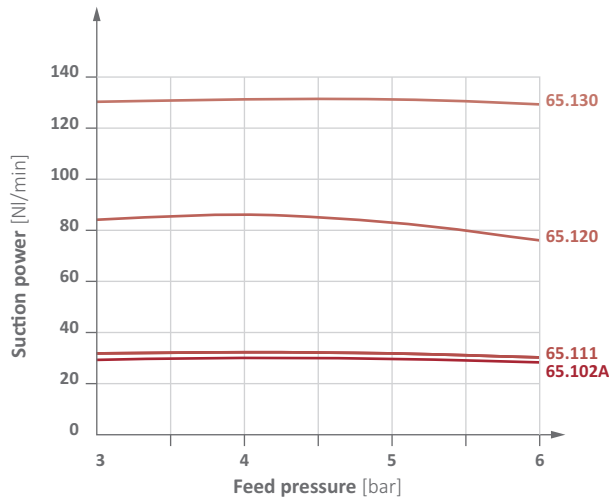
P = Compressed air connection V = Vacuum connection Ex = Exhaust Bo = Blow-off (65.111 and 65.130)

Item no.	G1	G2	G3	G4	G5	A [mm]	B [mm]	C [mm]	D [mm]	d1 [mm]	E [mm]	F [mm]
<b>65.102A</b>	G1/8	G1/4	G1/4	--	--	50	25	17	28	5.5	11	6
<b>65.111</b>	G1/4	G1/2	G3/8	G1/8	6.5	50	25	40	25	--	34	8
<b>65.120</b>	G1/4	G1/2	G1/2	G1/8	M6	50	25	40	25	--	34	10
<b>65.130</b>	G1/4	G1/2	G1	G1/8	M6	60	40	40	25	--	34	--

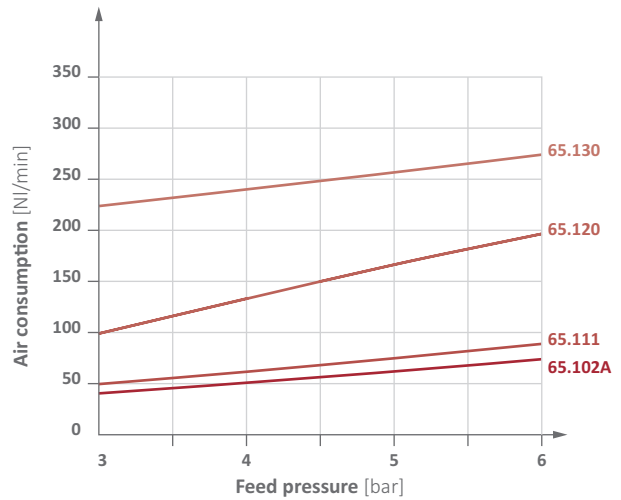


## Diagrams

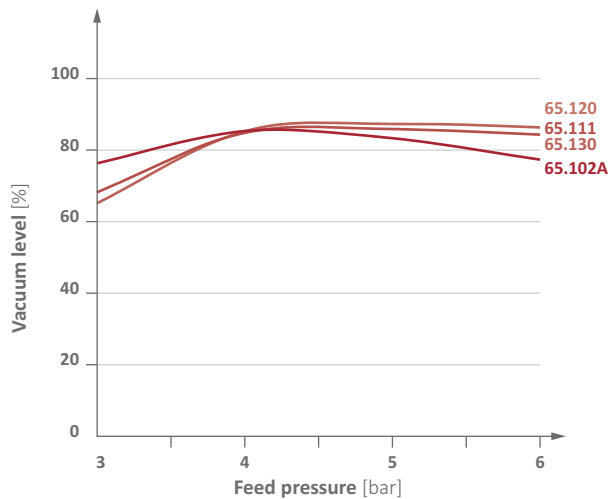
> Suction power against feed pressure



> Air consumption against feed pressure



> Vacuum level against feed pressure



Suction power [Nl/min] at vacuum level

Item no.	10 %	20 %	30 %	40 %	50 %	60 %	70 %	80 %
65.102A	25	23	19	15	13	8	4	1
65.111	25	23	20	17	13	8	4	1
65.120	76	66	55	41	34	22	12	3
65.130	182	160	135	69	52	33	17	6



### Ejectors with air-saving function EMA

Double energy efficient by integrated pressure control and electronic air-saving function



**SAVES UP TO 90 % OF ENERGY**

#### Product notes

- > Electronic air-saving function reduces operating costs by up to 90 % with dense workpieces
- > Pressure regulation energy-saving function at constant 3.5 bar (50.76 psi) reduces operating costs by up to 50 % with porous workpieces
  - Energy saving increases along with the difference between supply pressure and operating pressure
- > Electronic vacuum and blow-off control for short cycle times
- > Manual adjustment of the blow-off flow rate using a setscrew
- > Very compact design with integrated open silencer
- > Dust-resistant design, no additional filters required
- > NO-version on request
- > Smaller nozzle diameters on request
- > If the ejector experiences power failure, the workpiece is only held by the vacuum between non-return valve and product surface
- > Vacuum and blow-off are controlled using a single signal

#### Technical data

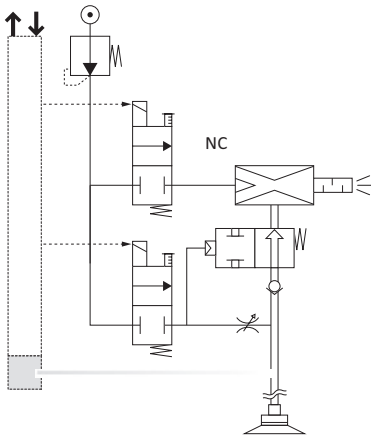
Item no.	EMA.90x14
Nozzle diameter [mm]	1.4
Feed pressure [bar (psi)]	4 - 8 (58 - 116)
Internal working pressure [bar (psi)]	3.5 (50.8)
Final vacuum [%]	90
Suction power [NI/min]	70
Air consumption [NI/min]	90
Protection class	IP65
Operating principle	NC
Control voltage	24 VDC (adjusted) ± 10 %
Current consumption for vacuum and blow-off feature [mA]	30 (0.7 W)
Noise level [dB(A)]	68
Operating temperature [°C (°F)]	10 - 60 (50 - 140)
Weight [g]	130
Suitable connector cable	20.501 (p.410) 20.502 (p.410)



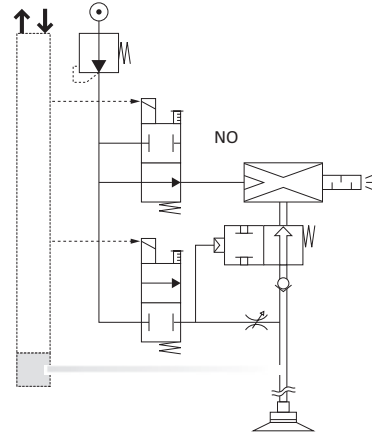


### Pneumatic diagram

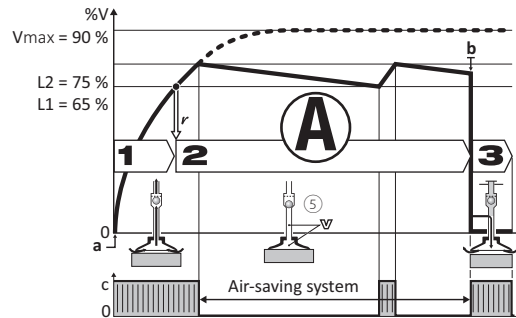
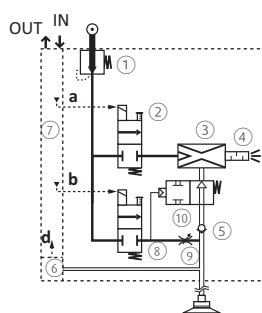
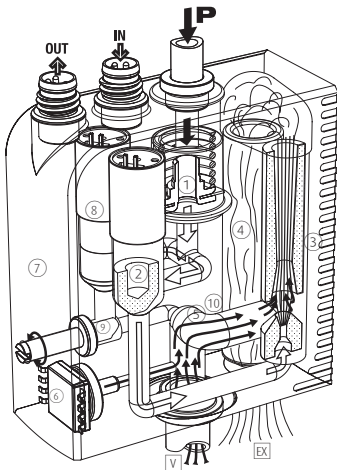
Solenoid valve NC



Solenoid valve NO



### Operating principle EMA series



#### 1. Gripping the workpiece

The vacuum solenoid valve (2) starts the cycle. Venturi nozzle (3) is supplied with compressed air and generates the vacuum to grip the item quickly with the vacuum cup → short-term energy consumption.

#### 2. Operations on the suctioned item

The vacuum level is continually monitored by the vacuum switch (6). When the vacuum threshold limit L1 (65 %) is reached the signal "Item gripped" is triggered. This gives a green light for the scheduled operation (transfer, processing, etc.). When the vacuum reaches the threshold limit L2 (75 %), the compressed air supply to the venturi nozzles via the solenoid valve (5) is interrupted. Energy consumption falls to zero. The item remains gripped because of the vacuum that remains because of the closed non-return valve. Tiny leakages often lead to a slow release of the vacuum. If the vacuum falls to the threshold limit of 65 %, new vacuum is briefly generated, i.e. until the threshold limit L2 (75 %) is reached.

#### 3. Releasing the workpiece

At the end of the procedures blow-off is triggered. The blow-off valve (8) generates an air jet that closes the closing valve (10). This blows off the item using the air pressure regulator (9) so that it can be released more quickly.

Continued on the next page →



### Nozzle diameter and energy-saving potential

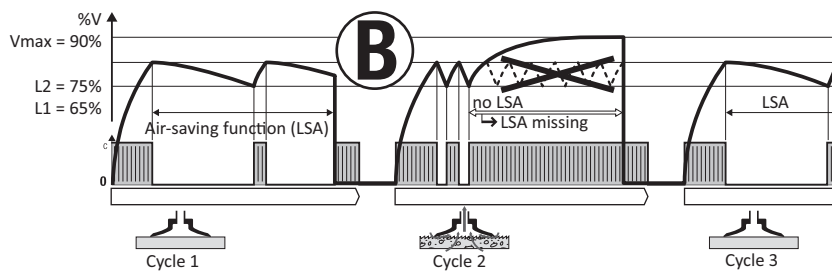
#### Air-saving control cycle self-adaptation

**Cycle 1:**  
Deals with an airtight product under the influence of LSA, resulting in optimum energy savings

**Cycle 2:**  
The porous product generates leaks that provoke repeated intermittent vacuum regeneration. The anomaly is automatically detected and the cycle goes on without LSA. An LSA missing signal is emitted and displayed, and production goes on.

**Cycle 3:**  
Illustrates the automatic return to the LSA cycle as soon as leaks are eliminated due to airtight products. Vacuum level will be maintained.

The compact-ejector EMA thus provides maximum energy saving, without any limitations to the performance and functioning of the overall production system.



Without automatic air-saving system			With automatic air-saving system		
Nozzle diameter [mm]	Suction power [NI/min]	Air consumption [NI/min]	Suction duration (65 % vacuum) [sec]	Suction duration (75 % vacuum) [sec]	Air consumption [NI/min]
1	29	44	2.38	3.33	2.2
1.2	45	65	1.53	2.15	2.2
1.4	70	90	0.99	1.38	2.2

> Automatic air-saving system activation allows a larger tube diameter to grip more quickly without increased consumption.

#### Example of the air-saving potential

The examples show how the automatic air-saving function reduces the energy demand:

> 75 % energy saved during product transfer

> 97 % energy saved during holding products while they are further processed or treated

The investment will often amortise itself within a couple of months.

Gripping + transfer (nozzle  $\varnothing$  1.4 mm, evacuation of 0.2 l)

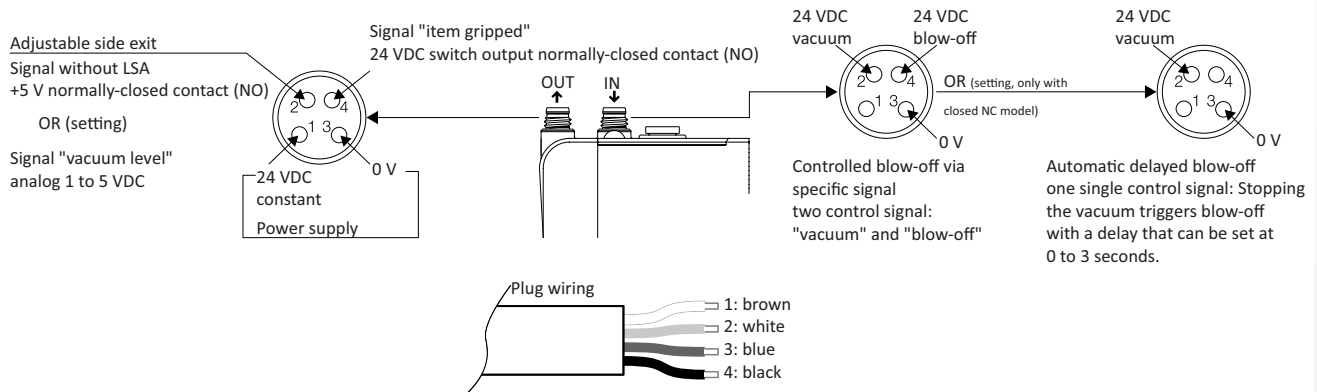
Phase	Duration	Air consumption		air-saving potential
		without "LSA"	with "LSA"	
Grip	0.28 s	0.4 NI	0.4 NI	75 %
Transfer	1.20 s	1.8 NI	0	
Placement	0.14 s	0.2 NI	0.2 NI	
		2.4 NI	0.6 NI	

Fixation + operation process (nozzle  $\varnothing$  1.4 mm, evacuation of 0.4 l)

Phase	Duration	Air consumption		air-saving potential
		without "LSA"	with "LSA"	
Fixation	0.55 s	0.8 NI	0.8 NI	97 %
Operation process	60 s	90 NI	0	
Placement	0.14 s	0.2 NI	0.2 NI	
		91 NI	1.0 NI	



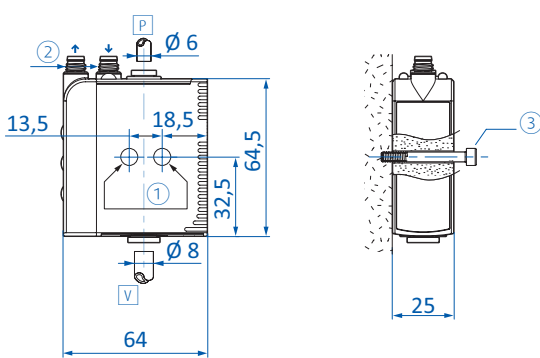
### Wiring diagram



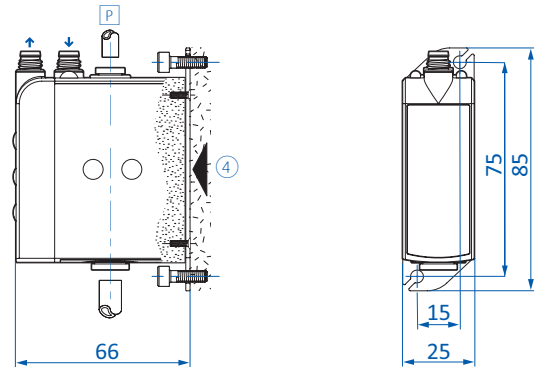
- > Output signal "object gripped", 24 VDC, switching output NO, switching current 125 mA, PNP
- > Adjustable side output:
  1. Signal without air-saving function, +5 V switching output NO: e.g. signal for failure indication
  2. Signal "vacuum level", analog, 1-5 VDC of measuring range

### Dimensions and mounting options

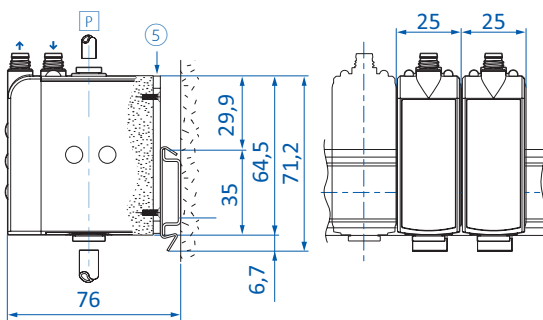
#### > Mounting sideways



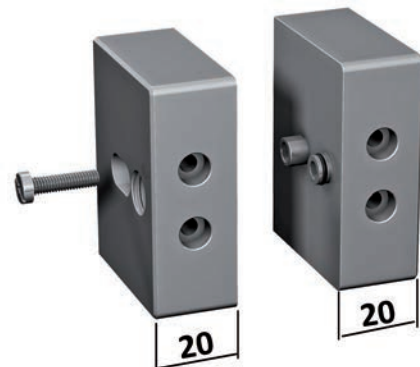
#### > Mounting in the front



#### > Block mounting on a DIN rail



#### > EMA.FIX-B endpieces, with connecting screws and closing pins for collecting main



P = Compressed air connection V = Vacuum connection ① = 2 Bore holes for 4 mm screws ② = M8 plug ③ = 2 Continuous screws ④ = Mounting plate with 4 screws (Item no. EMM.FIX-V) ⑤ = Mounting plate for DIN rail with 4 screws (Item no. EMM.FIX-D) – on plate per EMM module

### Evacuation time [sec.] for 1 liter at vacuum level

Item no.	55 %	60 %	65 %	70 %	75 %	80 %
EMA.90x14	0.73	0.85	0.99	1.16	1.38	1.7



### Open silencers for ejectors



#### Product notes

- > Suitable for heavy-duty ejectors
- > Open design, specially suitable for dusty, high-particle environments (e.g. wood industry)

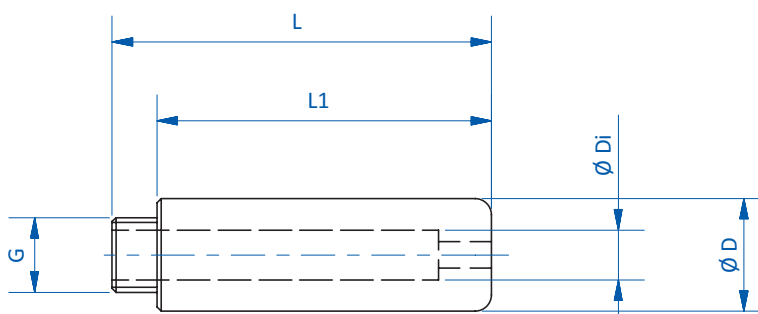
#### Technical data

Item no.	Weight [g]
72.028	3
72.029	20
72.030	25
72.031	35
72.032	55
72.033	175

#### Dimensions

G	Ø D [mm]	Ø Di [mm]	L [mm]	L1 [mm]
G1/8	14	7	46	41
G1/4	20	11	73	65
G3/8	24	11	72	64
G1/2	30	17	128	121
G3/4	40	17	126	119
G1	49	26	126	119

#### Dimensions





## Closed silencers for ejectors



### Product notes

- > Closed diffuser/silencer specially designed for dust-free environments
- > Suitable for heavy-duty ejectors

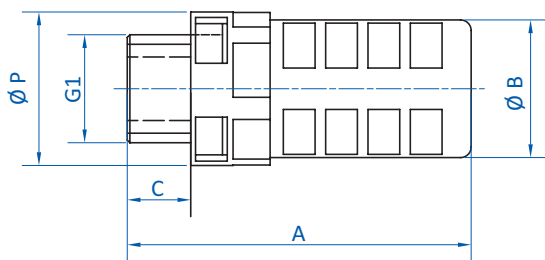
### Technical data

Item no.	Weight [g]
72.045	5
72.000	2
72.001	3.5
72.002	12
72.003	15
72.007	5.5
72.008	3
72.009	6.5

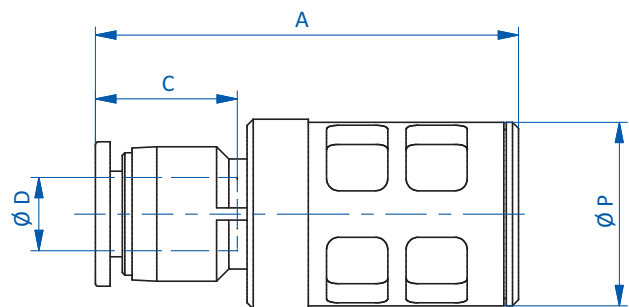
### Dimensions

G1	$\varnothing D$ [mm]	A [mm]	$\varnothing B$ [mm]	C [mm]	$\varnothing P$ [mm]
G1/8	--	41	18	6	--
G1/8	--	28	15.5	6	15.5
G1/4	--	38	17.5	8	17.5
G3/8	--	58	26	10	26.5
G1/2	--	66	29	12	29
--	4	30	--	11	10.5
--	6	34.5	--	11.5	15.5
--	8	48.5	--	17.5	17.5

### Dimensions



72.045 | 72.000 | 72.001 | 72.002 | 72.003



72.007 | 72.008 | 72.009



### Silencers with filter function



Series 1: brass construction with stainless steel wire fabric



Series 2: brass construction with sintered material

### Product notes

- > Combination of silencer and air filter
- > 72.015 - 72.021: also suitable as protective filter for 3/2-way valves at ventilation/blow-off inlet (under contaminated environmental conditions)
- > 72.022 - 72.027: can be mounted directly into the vacuum cup or the fitting, temperature-resistant up to 120 °C (248 °F)

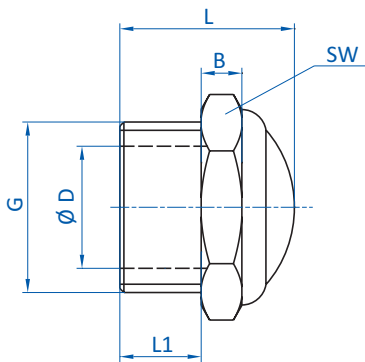
### Technical data

Item no.	Series	Weight [g]
72.015	1	2
72.016	1	6
72.017	1	10
72.018	1	15
72.019	1	25
72.020	1	38
72.021	1	56
72.022	2	1
72.023	2	3
72.024	2	6
72.025	2	12

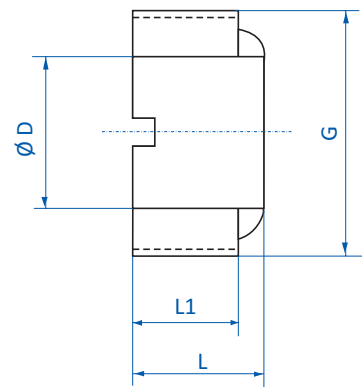
### Dimensions

G	B [mm]	Ø D [mm]	L [mm]	L1 [mm]	SW
M5	3.5	2.5	9.5	4	8
G1/8	4	6	14	6	13
G1/4	5	8.5	18.5	8	16
G3/8	6	11	19.5	8	19
G1/2	5	15	22.5	10	24
G3/4	6	20	25.5	10	30
G1	6.5	26	31	11.5	36
G1/8	--	5.5	4.5	3.5	--
G1/4	--	7	6.8	4.5	--
G3/8	--	9.5	6.8	5	--
G1/2	--	12	9	7	--

### Dimensions



72.015 | 72.016 | 72.017 | 72.018 | 72.019 | 72.020 | 72.021



72.022 | 72.023 | 72.024 | 72.025

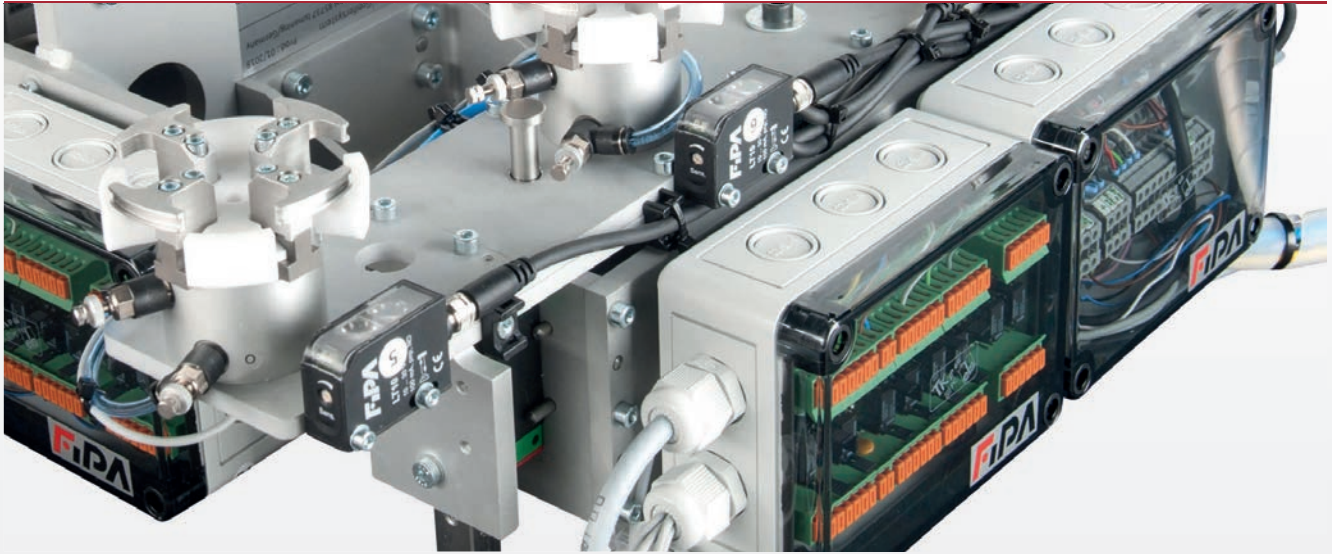
Electronics and sensors at a glance .....	403
Sensors .....	404
Cables and plugs .....	410
Reflective sensors .....	412
Signal transmitters .....	418







FIPA Electronics and sensors



**Magnetic and proximity sensors**

- > Sensors for active gripping elements, linear units, compact cylinders
- > PNP or NPN switching functions
- > With control LED

> See page 404



**Connector cables and adapter plugs**

- > Connection of vacuum switches, sensors or ejectors
- > Weather- and oil-resistant
- > Jacks/plugs M8 or M12 size, 3, 4, or 5 wires

> See page 410



**Reflective sensors and suitable mounting brackets**

- > Optical presence monitoring of workpiece
- > Light or dark switching with LED-display
- > Any mounting position

> See page 414



**Signal transmitters and switchboxes**

- > Collection of sensor signals
- > Either with or without logics (logic AND/OR)
- > 2 - 12 inlets

> See page 419



### Magnetic sensors



#### Product notes

- > C- and T-slot sensors for active gripping elements, linear units, compact cylinders
- > PNP or NPN switching functions
- > With control LED
- > PNP-Sensors: connect supply voltage +Vs (mainly 24 V) with digital input signal
- > NPN-Sensors: connect digital input signal with ground signal 0 V
- > Cable and M8 3-pole plug included in scope of delivery
- > Connector cable for sensors:
  - 20.503: 3-pole M8, cable straight, length 2,500 mm, open wire
  - 20.507: 3-pole M8, cable 90°, length 2,000 mm, open wire
  - 20.570: 3-pole M8, length 1,500 mm, end with plug 3-pole M8

#### Technical data

Item no.	Nut-Model	Electric connection	Plug design	Operating voltage [VDC]	Max. switching current [mA]	Max. power consumption [W]	Protection class	Cable length [mm]	Operating temperature [°C (°F)]	Weight [g]	Suitable connector cable
<b>GR04.198</b>	C	PNP	Straight	6 - 30	200	6	IP67	300	-10 - 70 (14 - 158)	18	20.503 (p.410) 20.507 (p.410) 20.570 (p.410)
<b>GR04.198/NPN</b>	C	NPN	Straight	6 - 30	200	6	IP67	300	-10 - 70 (14 - 158)	18	20.503 (p.410) 20.507 (p.410) 20.570 (p.410)
<b>GR04.202P</b>	C	PNP	90° elbow	5 - 30	50	1.5	IP67	150	-10 - 70 (14 - 158)	25	20.503 (p.410) 20.507 (p.410) 20.570 (p.410)
<b>GR04.202N</b>	C	NPN	90° elbow	5 - 30	50	1.5	IP67	150	-10 - 70 (14 - 158)	25	20.503 (p.410) 20.507 (p.410) 20.570 (p.410)
<b>GR04.280P</b>	C	PNP	Straight, short	4.5 - 28	50	1.5	IP67	150	-10 - 70 (14 - 158)	21	20.503 (p.410) 20.507 (p.410) 20.570 (p.410)
<b>GR04.280N</b>	C	NPN	Straight, short	4.5 - 28	50	1.5	IP67	150	-10 - 70 (14 - 158)	21	20.503 (p.410) 20.507 (p.410) 20.570 (p.410)
<b>GR04.199</b>	T	PNP	Straight	10 - 30	100	3	IP67	150	-10 - 70 (14 - 158)	25	20.503 (p.410) 20.507 (p.410) 20.570 (p.410)

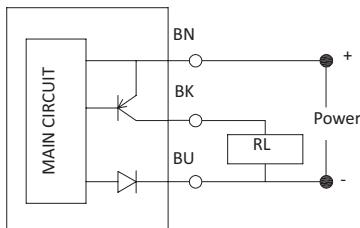


Technical data

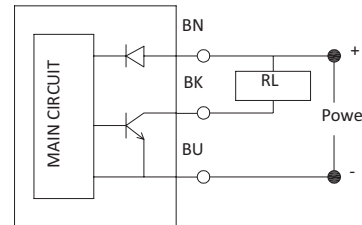
Item no.	Nut-Model	Electric connection	Plug design	Operating voltage [VDC]	Max. switching current [mA]	Max. power consumption [W]	Protection class	Cable length [mm]	Operating temperature [°C (°F)]	Weight [g]	Suitable connector cable
<b>GR04.199/NPN</b>	T	NPN	Straight	10 - 30	100	3	IP67	150	-10 - 70 (14 - 158)	25	20.503 (p.410) 20.507 (p.410) 20.570 (p.410)
<b>GR04.203P</b>	T	PNP	Straight	5 - 30	200	6	IP67	150	-10 - 70 (14 - 158)	27	20.503 (p.410) 20.507 (p.410) 20.570 (p.410)
<b>GR04.203N</b>	T	NPN	Straight	5 - 30	200	6	IP67	150	-10 - 70 (14 - 158)	27	20.503 (p.410) 20.507 (p.410) 20.570 (p.410)

Wiring diagrams

PNP

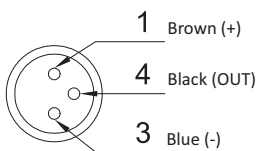


NPN



BN = Brown, BK = Black, BU = Blue

Plug assignment



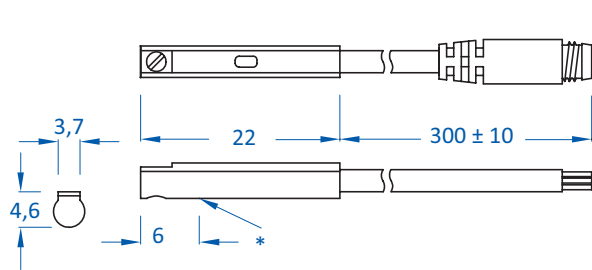
Continued on the next page →



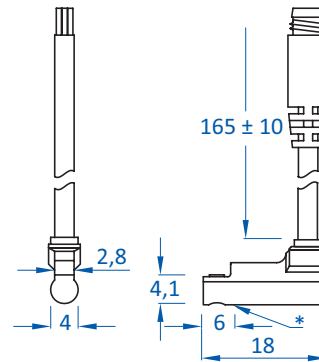
### Application example



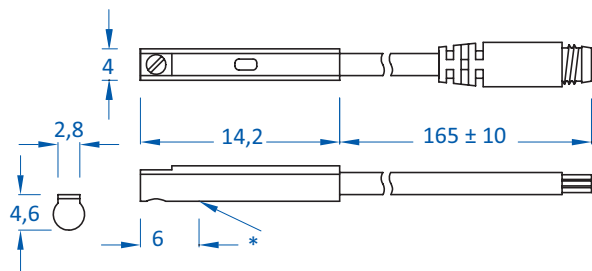
### Dimensions



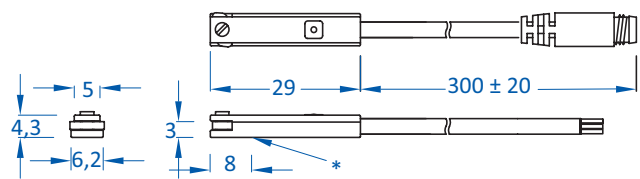
GR04.198 | GR04.198/NPN



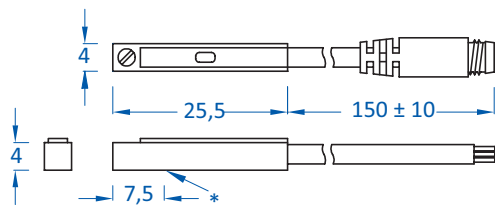
GR04.202P | GR04.202N



GR04.280P | GR04.280N



GR04.199 | GR04.199/NPN



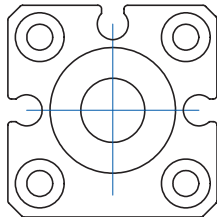
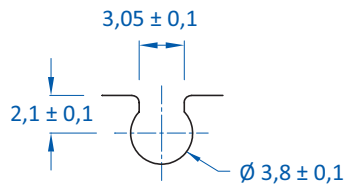
GR04.203P | GR04.203N

\* = Sensing point

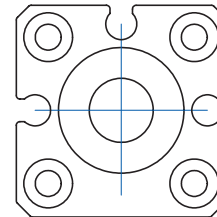
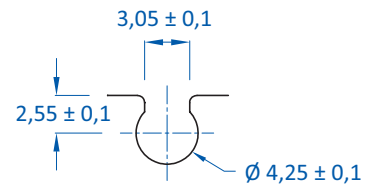


Matching nut dimensions

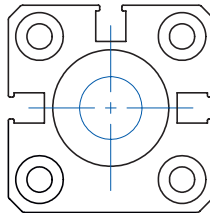
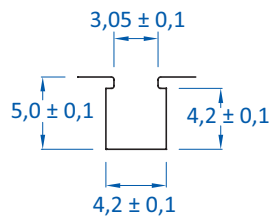
> GR04.198



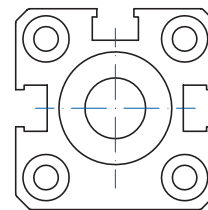
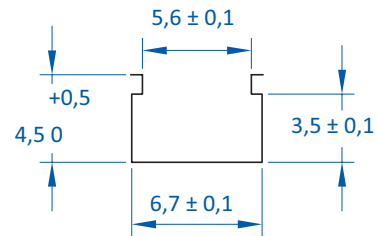
> GR04.202 | GR04.280



> GR04.203



> GR04.199





### Inductive sensors



GS04.001 | GS04.002

#### Product notes

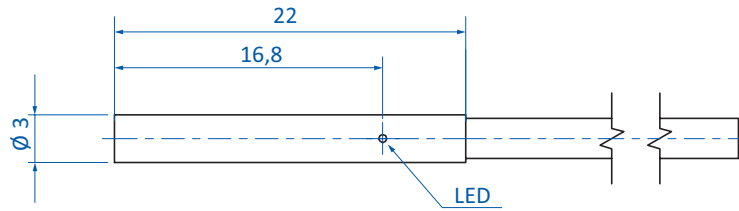
- > Sensors for sprue grippers or parallel grippers
  - > PNP or NPN switching functions
  - > Integrated control LED
  - > GS04.001, GS04.002: sensors for GR04.131D/E, GR04.140B; detection of jaw position (open/closed)
- Included in scope of delivery:
- > GR04.193P/N: 0.3 m cable, 3-pole, open wires (see accessories for suitable connectors for extension cables)
  - > GS04.001, GS04.002: 0.2 m cable and M8 3-pole plug
  - > GS04.003, GS04.004: 2 m cable, 3-pole, open wires

#### Technical data

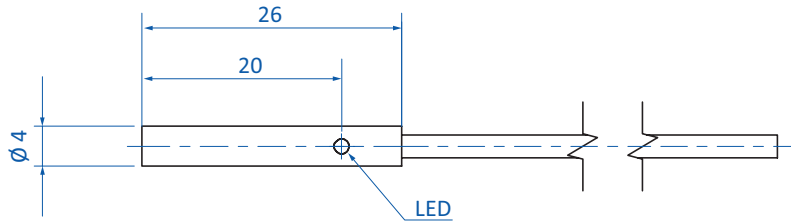
Item no.	Electric connection	Operating voltage [VDC]	Max. switching current [mA]	Protection class	Operating temperature [°C (°F)]	Cable length [mm]	Weight [g]	Accessories
<b>GS04.003</b>	PNP	10 - 30	100	IP67	-25 - 70 (-13 - 158)	2,000	16	Connector cable: 20.503 (p.410) Connector cable: 20.507 (p.410)
<b>GS04.004</b>	NPN	10 - 30	100	IP67	-25 - 70 (-13 - 158)	2,000	16	Connector cable: 20.503 (p.410) Connector cable: 20.507 (p.410)
<b>GR04.193P</b>	PNP	10 - 30	200	IP67	-20 - 70 (-4 - 158)	200	25	Plug connector: 20.527 (p.411) Plug connector: 20.528 (p.411) Connector cable: 20.503 (p.410) Connector cable: 20.507 (p.410)
<b>GR04.193N</b>	NPN	10 - 30	200	IP67	-20 - 70 (-4 - 158)	200	25	Plug connector: 20.527 (p.411) Plug connector: 20.528 (p.411) Connector cable: 20.503 (p.410) Connector cable: 20.507 (p.410)
<b>GS04.001</b>	PNP	10 - 30	100	IP67	-20 - 70 (-4 - 158)	200	38	Connector cable: 20.503 (p.410) Connector cable: 20.507 (p.410)
<b>GS04.002</b>	NPN	10 - 30	100	IP67	-20 - 70 (-4 - 158)	200	38	Connector cable: 20.503 (p.410) Connector cable: 20.507 (p.410)



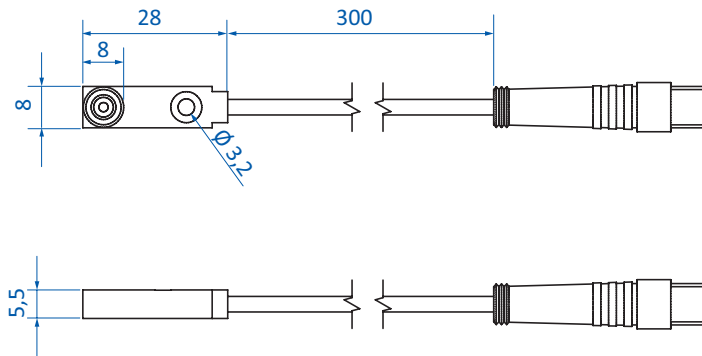
Dimensions



GS04.003 | GS04.004



GR04.193P | GR04.193N



GS04.001 | GS04.002



### Connector cables M8, M12, 2 to 5-pin, material PUR



#### Product notes

- > Electric connection of vacuum switches, sensors or ejectors
- > Weather- and abrasion-resistant

#### Technical data

Item no.	Contact	Plug design	Cable length [mm]	Suitable for
20.503	Socket M8, 3-pin, open cable	Straight	2,000	Connection of sensors and sensor grippers
20.504	Plug M8, 3-pin 90°, socket M8, 3-pin	90° elbow	300	Connection of sensors and sensor grippers
20.507	Socket M8, 3-pin, open cable	90° elbow	2,000	Connection of sensors and sensor grippers
20.570	Plug M8, 3-pin, socket M8, 3-pin	Straight	1,500	Connection of sensors and sensor grippers
20.501	Socket M8, 4-pin, open cable	Straight	5,000	Connection of vacuum switches or compact ejectors
20.502	Plug M8, 4-pin, open cable	90° elbow	5,000	Connection of vacuum switches or compact ejectors
20.518	Socket M12, 4-pin, open cable	Straight	2,000	Connection of vacuum switches or compact ejectors
20.519	Socket M12, 4-pin, open cable	90° elbow	2,000	Connection of vacuum switches or compact ejectors
20.508	Socket M12, 5-pin, open cable	Straight	2,000	Connection of compact ejectors
20.509	Socket M12, 5-pin, open cable	90° elbow	2,000	Connection of compact ejectors
20.550	Special plug, 2-pin, open cable	Straight	1,500	Connection of base ejectors with blow-off boost EBA.08H.2-A





Plug connectors M8/3-pin



Technical data

Item no.	Electric connection	Weight [g]
20.527	Plug	5
20.528	Socket	5

Adapter plug



Product notes

- > Adapter plug M8/3-pin, socket on M8/4-pin plug
- > Adapter plug M8/4-pin, socket on M8/3-pin plug

Technical data

Item no.	Weight [g]
M8B3 / M8S4	10
M8B4 / M8S3	10



### Reflective sensors M18



LT19

LT19 DETECTS EVEN TRANSPARENT PLASTIC PARTS



LT18OHT (light sensor with background suppression, fixing nuts not displayed)

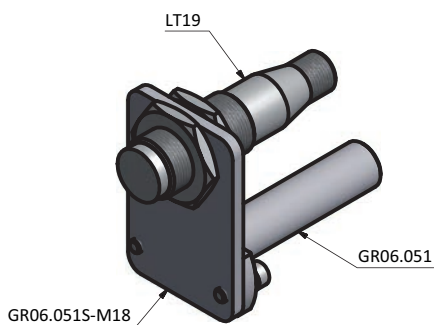
### Product notes

- > Sensors for optical presence monitoring of workpiece
  - > Light or dark switching with LED-display
  - > With or without background suppression
  - > Adjustable sensitivity
  - > Robust aluminum body
  - > Any mounting position
- Two fixing nuts, tightening torque 20 Nm, included in scope of delivery

### Technical data

Item no.	LT19	LT19/NPN	LT18OHT	LT18OHT/NPN
Adjustable range [mm]	70 - 400	70 - 400	70 - 400	70 - 400
Operating voltage [V]	6 - 30	6 - 30	10 - 36	10 - 36
Current consumption [mA]	< 30	< 30	< 25	< 25
Max. switching current [mA]	100	100	200	200
Protection class	IP67	IP67	IP67	IP67
Switching point principle	light / dark	light / dark	light	light
Background suppression	no	no	yes	yes
Ambient air temperature [°C (°F)]	-25 - 55 (-13 - 131)	-25 - 55 (-13 - 131)	-25 - 55 (-13 - 131)	-25 - 55 (-13 - 131)
Weight [g]	39	39	45	45
Suitable fittings	GR06.051 (p.240) GR06.051S-M18 (p.416)	GR06.051 (p.240) GR06.051S-M18 (p.416)	GR06.051 (p.240) GR06.051S-M18 (p.416)	GR06.051 (p.240) GR06.051S-M18 (p.416)

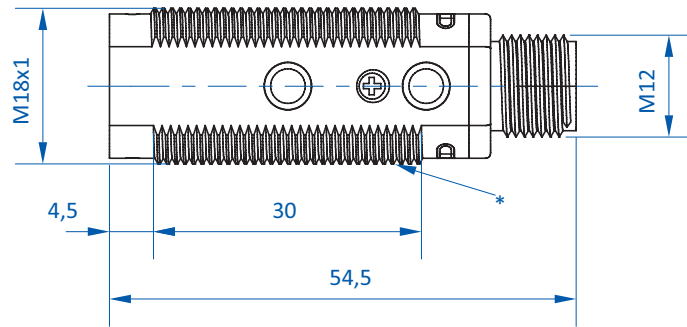
### Application example



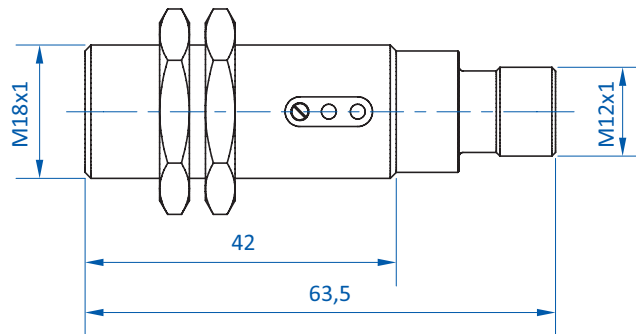
Sensor with mounting bracket



Dimensions



LT19 | LT19/NPN



LT18OHT | LT18OHT/NPN

\* = Fixing nuts not shown



### Reflective sensors – compact



Installation example with angle arm and rotatable mounting bracket GR06.045S

### Product notes

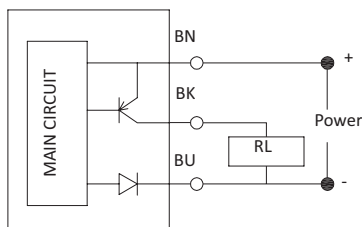
- > Sensors for optical presence monitoring of workpiece
- > Long scanning range at small foot print
- > Adjustable sensitivity
- > LED-display
- > Lightweight body
- > Any mounting position
- > Mounting bracket GR06.045S for angle variable installation on extrusions optionally available
- > Connector cable for sensors:
  - 20.503: 3-pole M8, length 2,500 mm, open wire
  - 20.507: 3-pole M8, length 2,000 mm, end with socket 3-Pole M8 available

### Technical data

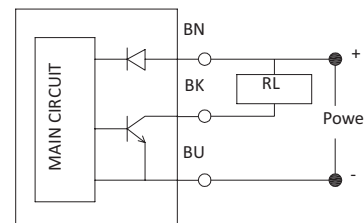
Item no.	LT10	LT10/NPN
Adjustable range [mm]	0 - 600	0 - 600
Sensor	PNP	NPN
Operating voltage [V]	10 - 30	10 - 30
Current consumption [mA]	< 25	< 25
Max. switching current [mA]	100	100
Protection class	IP67	IP67
Background suppression	no	no
Ambient air temperature [°C (°F)]	-25 - 60 (-13 - 140)	-25 - 60 (-13 - 140)
Weight [g]	19	19
Accessories	Mounting bracket: GR06.045S (p.417) Connector cable: 20.503 (p.410) Connector cable: 20.507 (p.410)	Mounting bracket: GR06.045S (p.417) Connector cable: 20.503 (p.410) Connector cable: 20.507 (p.410)

### Wiring diagrams

LT10



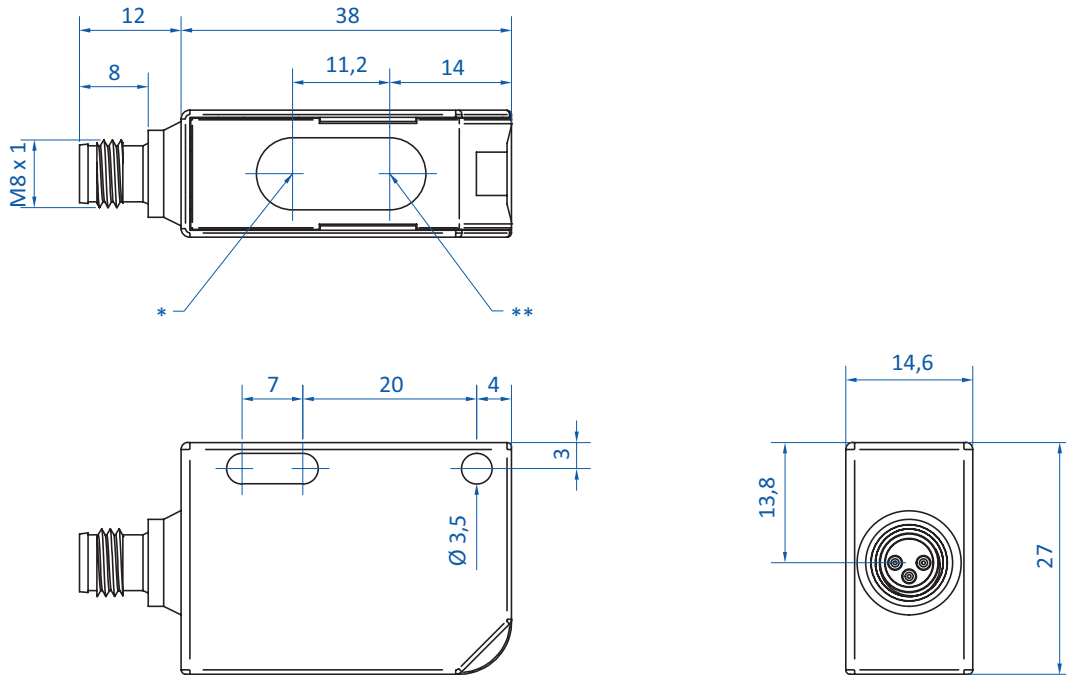
LT10/NPN



BN = Brown, BK = Black, BU = Blue



Dimensions



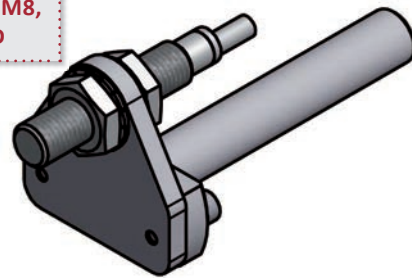
\* = Opt. axis transmitter \*\* = Opt. axis receiver



### Mounting brackets for reflective sensors



SUITABLE FOR SENSORS WITH M8, M12 OR M18 MALE THREAD



Application example with fitting GR06.050

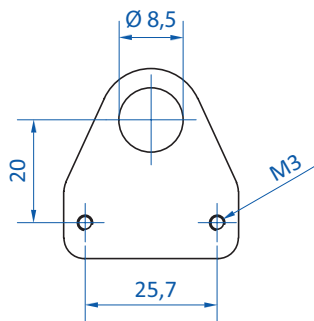
### Product notes

- > Mounting bracket for part control
- > Optional brackets with clamping shaft for mounting sensors to profiles

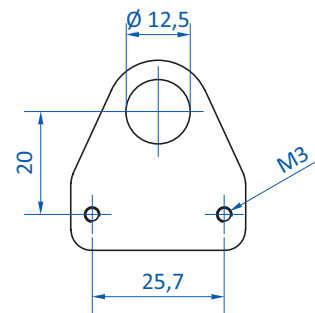
### Technical data

Item no.	Suitable for	Weight [g]	Suitable fittings
<b>GR06.050S-M8</b>	Common M8 sensors	9	GR06.050 (p.240)
<b>GR06.050S-M12</b>	Common M12 sensors	9	GR06.050 (p.240)
<b>GR06.051S-M18</b>	LT18OHT, LT18OHT/NPN, LT19, LT19/NPN	23	GR06.051 (p.240)

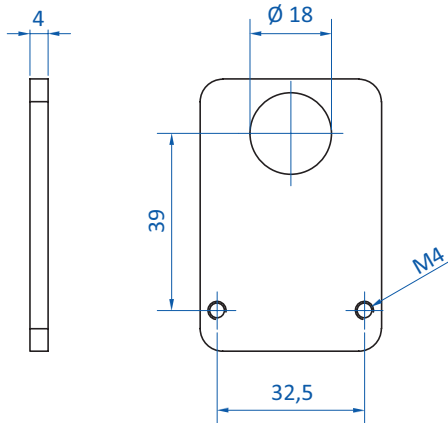
### Dimensions



GR06.050S-M8



GR06.050S-M12



GR06.051S-M18



### Mounting brackets for compact sensors



**FITS WITH MANY COMPACT SENSORS ON THE MARKET**



Installation example with sensor LT10 and angle arm

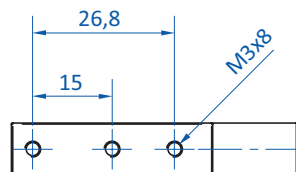
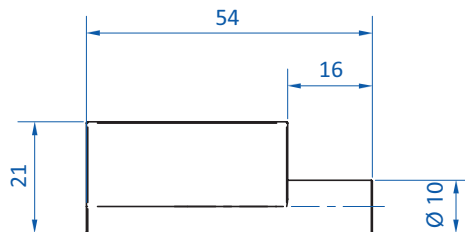
#### Product notes

- > Mounting bracket for sensor installation on extrusions
- > Freely rotatable, when combined with angle arms or other gripper components with clamping diameter 10 mm
- > A choice of suitable clamping elements can be found under accessories

#### Technical data

Item no.	Suitable for	Weight [g]
<b>GR06.045S</b>	Reflective sensor LT10, LT10/NPN; Profile - shaft - adapter GR01.110; Angle clamp GR02.010A; Cross clamp GR02.020; Angle arm GR02.070A; Quick-change systems GR02.240	23

#### Dimensions





### Signal transmitters M8 – without logics

#### COLLECTION AND TRANSMISSION OF SENSOR SIGNALS



#### Product notes

- > Transmits up to twelve sensor signals to the robot controller
- > Suitable for PNP/NPN sensors or 2-pole actuators
- > LED switching status display
- > Signals can be coupled via the external robot controller
- > Common output:
  - 20.540: 8-pole M12 plug, 1.9 m, open end, wire color to DIN 47100/11.79
  - 20.541 and 20.542: 15-pole D-sub-plug, cable length 2 m, open end, wire color to DIN 47100/11.79

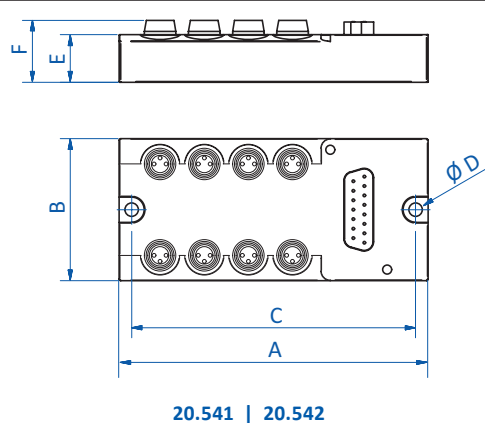
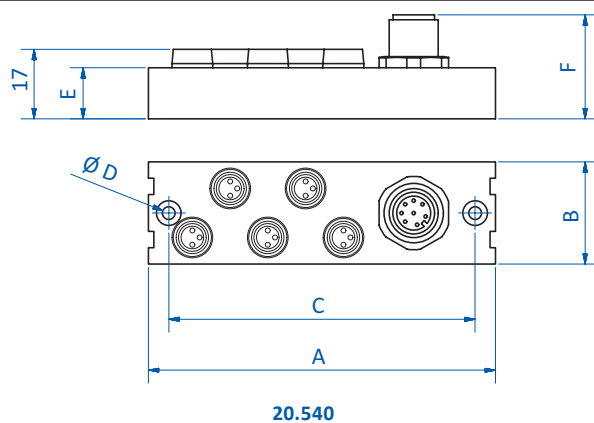
#### Technical data

Item no.	Number of slots M8	Power supply [V]	Weight [g]
20.540	5	24	65
20.541	8	24	120
20.542	12	24	250

#### Pin assignment: M8 jack according to IEC 947-5-2

- > Slot 0-7, or 0-11:  
Signal line: socket 4
- DC 24 V: socket 1
- 0 V: socket 3

#### Dimensions



Item no.	A [mm]	B [mm]	C [mm]	Ø D [mm]	E [mm]	F [mm]
20.540	85	25	75	3.1	12.5	25.45
20.541	98	45	90	4.3	15.1	19.6
20.542	125.6	45	117.6	4.3	15.1	19.6





Sensor-relay-switchboxes



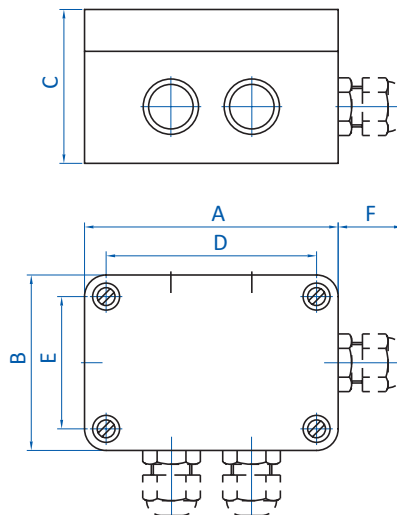
Product notes

- > Reduction of necessary inputs on the robot control via bundling (series switching logic AND) of several sensor signals
- > Inputs PNP, NPN or potential-free contact (NO or NC)
- > Outputs PNP, NPN or potential-free contact (NO)
- > Input LEDs for simplified troubleshooting
- > Assembly on SLine, MLine or XLine extrusions
- > Connection of several switchboxes possible
- > Slot nuts and screws for SLine/MLine included in scope of delivery

Technical data

Item no.	Max. number of inputs	Max. number of outputs	Operating voltage [V]	Protection class	Weight [g]
GS01.004	4	4	24	IP65	180
GS01.006	6	6	24	IP65	171
GS01.008	8	8	24	IP65	230
GS01.012	12	12	24	IP65	325

Dimensions



Item no.	A [mm]	B [mm]	C [mm]	D [mm]	E [mm]	F [mm]
GS01.004	94	65	57	79	50	25
GS01.006	94	94	57	79	79	25
GS01.008	130	94	57	115	79	25
GS01.012	180	94	57	165	79	25



### T-coupler bundlers with and/or logic



20.526

#### Product notes

- > T-coupler connects 2x M8-female with 1x M8-male
- > Interconnection of sensor signals on gripper systems
- > Please note for 20.525 and 20.525/NPN:  
If more than five sensors need to be connected we recommend to use switchboxes such as GS01.006 instead of T-couplers

#### Technical data

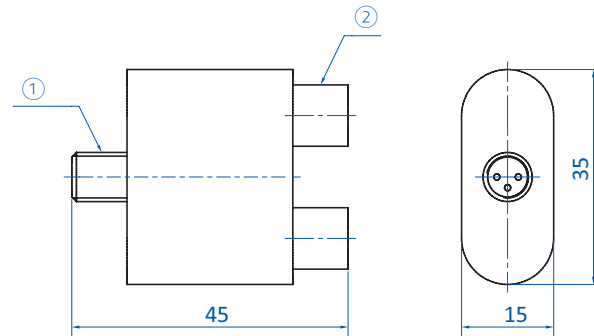
Item no.	Electric connection	Operating voltage [VDC]	Protection class	Logic	Weight [g]
20.524	PNP / NPN	24	IP67	2x or	15
20.525	PNP	24	IP67	2x and	15
20.525/NPN	NPN	24	IP67	2x and	15
20.526	PNP	10 - 35	IP67	2x and/or	25

#### Application example

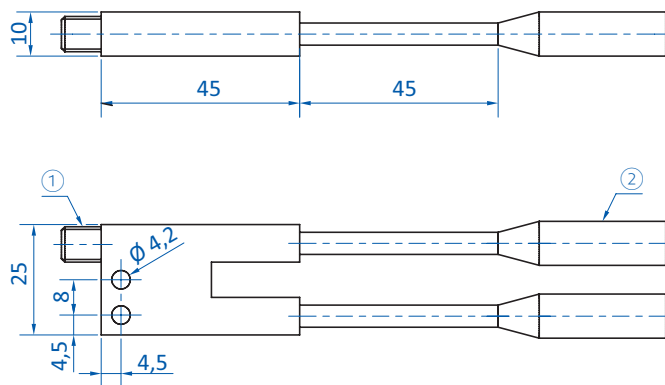




Dimensions



20.524 | 20.525 | 20.525/NPN



20.526

① = Plug, 3-pin M8x1    ② = Socket, 3-pin M8x1

Item no.	A [mm]	B [mm]	C [mm]
20.524	45	35	15
20.525	45	35	15
20.525/NPN	45	35	15
20.526	45	25	10



### Signal converters M8 / signal inverter M8

**CONVERT SENSOR SIGNALS INDEPENDENT OF ROBOT CONTROLLER**



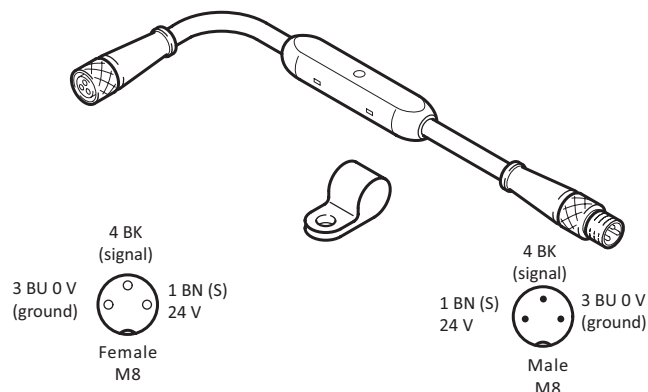
#### Product notes

- > Signal converter/signal inverter comes in two types:
  - PNP inverter 20.530 for grippers with indirect part detection
  - PNP-NPN converter 20.531 for using PNP sensors in NPN circuits
- > LEDs to display status and switching state
- > Using model 20.530 with grippers with indirect part detection, enables signal activation if a part has been gripped
- > Recommended for use with grippers GR04.091, GR04.111A, GR04.130F

#### Technical data

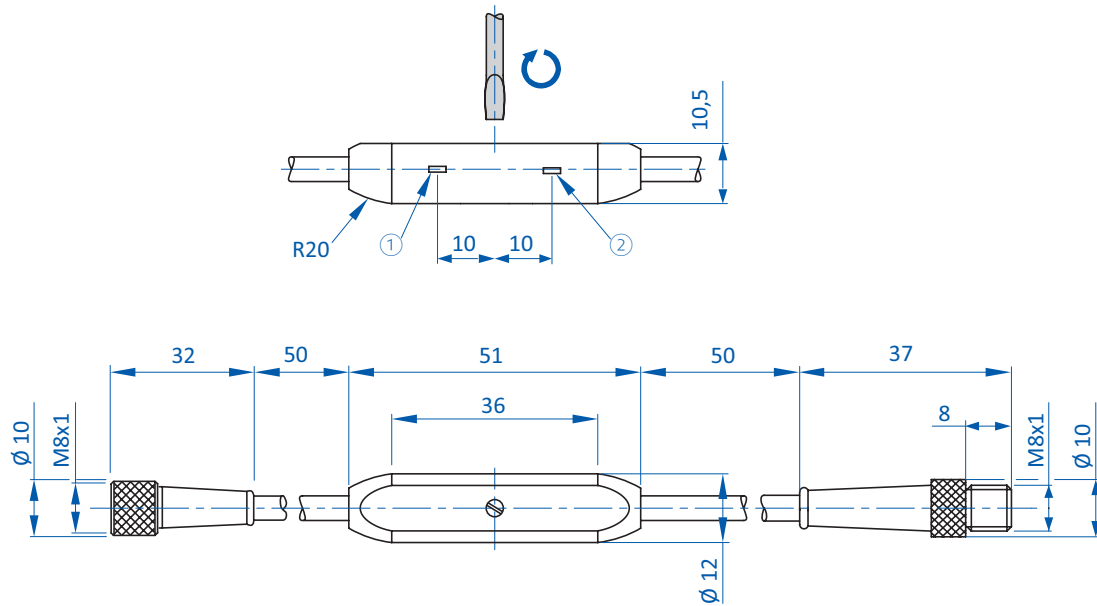
Item no.	20.530	20.531
Input signal	PNP	PNP
Output signal	PNP	NPN
Connection	M8x1	M8x1
Max. ampacity [mA]	200	200
Operating voltage [VDC]	10 - 35	10 - 35
Current consumption [mA]	< 20	< 20
Max. switching frequency [Hz]	3,500	5,000
Minimum pulse duration [ms]	> 0.1	> 0.1
Protection class	IP67	IP67
Ambient air temperature [°C (°F)]	-25 - 70 (-13 - 158)	-25 - 70 (-13 - 158)
Weight [g]	17	17

#### Plug assignment





Dimensions



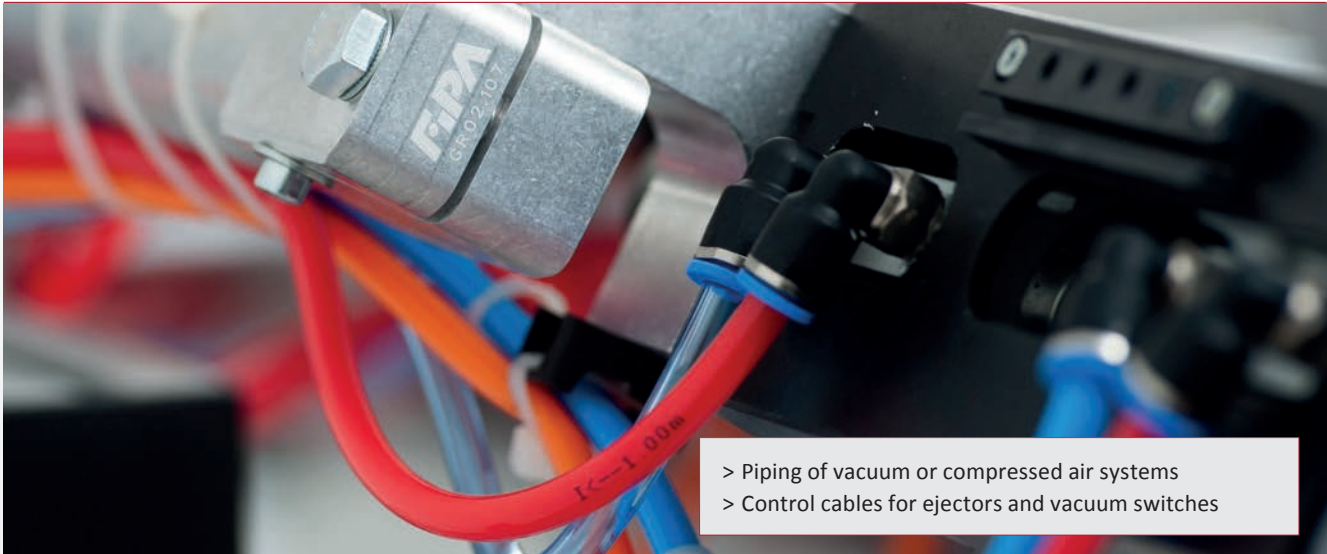
① = LED status ② = LED switching output



Tubing at a glance .....	426
Tubing .....	428
Accessories for tubing .....	432
Connectors at a glance .....	434
Vacuum manifolds .....	435
Push-in fittings and plug-in connectors – standard .....	437
Screw connectors and plug-in connectors – mini .....	449
Accessories .....	453



## FIPA Tubing



- > Piping of vacuum or compressed air systems
- > Control cables for ejectors and vacuum switches



### Flexible vacuum pressure tubing made from polyurethane (PUR)

- > Very small bending radius
- > Standard blue transparent or intransparent

#### 61.090 - 61.096

- > High chemical stability and mechanical resistance
- > Outer diameter toleranced tubing, making them suitable for quick fittings

#### 61.056 - 61.062

- > Available in a wide range of colors
- > Outer diameter toleranced tubing, making them suitable for quick fittings

#### 61.020 - 61.030

- > Suitable for use in trailing chains, corrugated external surface

#### 61.005S - 61.011S

- > Self-extinguishing, flame-resistant according to DIN 4102 B1, corrugated external surface

> See page 428



### Vacuum and pressure tubing made from transparent fluoro resin (PFA)

- > Excellent resistance to chemicals, temperature and weather conditions
- > Used predominantly in chemical, foodstuff and medical industries

> See page 430



### Highly flexible, soft PVC tubing for pressure applications

- > Suitable for frequently occurring pivoting motions and oscillations
- > Not suitable for vacuum

> See page 431





## FIPA Tubing



### Accessories:

Tubing nipples with male M and G threads

> See page 432



Reinforcing sleeves, especially for soft tubings

> See page 433



Tubing cutter with measuring tape

> See page 433



# Tubing technology | Tubing

Flexible vacuum and pressure tubing made from PUR blue transparent

Flexible vacuum and pressure tubing made from PUR blue transparent



SUITABLE FOR INSTALLATION IN DRAG CHAINS

## Product notes

- > High flexibility enables small bending curve to build compact tubing systems
- > Suitable for air and tap water
- > Cut marks at 500 mm intervals facilitate installation
- > High chemical and mechanical resistance
- > Very high oil resistance
- > Rule of thumb for installation in drag chain: bending radius = 10 x outer diameter of tubing

## Technical data

Item no.	Outer diameter [mm]	Inner diameter [mm]	Minimum bending radius [mm]	Pressure range [bar (psi)]	Operating pressure 20 °C (68 °F) [bar (psi)]	Usage temperature [°C (°F)]	Weight [g/m]	Packing unit [m]
61.090	3	2	8	-1 - 8 (-14.5 - 116)	29 (420.6)	-15 - 60 (5 - 140)	7	20
61.091	4	2.5	10	-1 - 8 (-14.5 - 116)	29 (420.6)	-15 - 60 (5 - 140)	9	20
61.092	6	4	15	-1 - 8 (-14.5 - 116)	29 (420.6)	-15 - 60 (5 - 140)	19	20
61.093	8	5	15	-1 - 8 (-14.5 - 116)	29 (420.6)	-15 - 60 (5 - 140)	36	20
61.094	10	6.5	20	-1 - 8 (-14.5 - 116)	29 (420.6)	-15 - 60 (5 - 140)	54	20
61.096	12	9	30	-1 - 8 (-14.5 - 116)	29 (420.6)	-15 - 60 (5 - 140)	68	20



## Flexible vacuum and pressure tubing made of blue PUR



**SUITABLE FOR INSTALLATION IN DRAG CHAINS**

### Product notes

- > High flexibility enables small bending curve to build compact tubing systems
- > Suitable for air and tap water
- > Cut marks at 500 mm intervals facilitate installation
- > Rule of thumb for installation in drag chain: bending radius = 10 x outer diameter of tubing

### Ordering notes

- > Standard length 20 m, color blue
- > Available in various tubing lengths and a wide selection of colors (black, red, orange, ocher, yellow, green, blue, light blue, transparent, pure white)
- > 61.062 standard color is black
- > Length of 50 m generally only available in black

### Technical data

Item no.	Outer diameter [mm]	Inner diameter [mm]	Minimum bending radius [mm]	Pressure range [bar (psi)]	Operating pressure 20 °C (68 °F) [bar (psi)]	Usage temperature [°C (°F)]	Weight [g/m]	Packing unit [m]
61.056	3	2	8	-1 - 8 (-14.5 - 116)	29 (420.6)	-15 - 60 (5 - 140)	7	20 / 50 / 100
61.057	4	2.5	10	-1 - 8 (-14.5 - 116)	29 (420.6)	-15 - 60 (5 - 140)	9	20 / 50 / 100
61.058	6	4	15	-1 - 8 (-14.5 - 116)	29 (420.6)	-15 - 60 (5 - 140)	19	20 / 50 / 100
61.059	8	5	15	-1 - 8 (-14.5 - 116)	29 (420.6)	-15 - 60 (5 - 140)	36	20 / 50 / 100
61.060	10	6.5	20	-1 - 8 (-14.5 - 116)	29 (420.6)	-15 - 60 (5 - 140)	54	20 / 50 / 100
61.061	12	8	30	-1 - 8 (-14.5 - 116)	29 (420.6)	-15 - 60 (5 - 140)	74	20 / 50 / 100
61.062	16	11	60	-1 - 8 (-14.5 - 116)	29 (420.6)	-15 - 60 (5 - 140)	128	20 / 50 / 100



# Tubing technology | Tubing

Vacuum and pressure tubing made of transparent fluoro resin (PFA)

## Vacuum and pressure tubing made of transparent fluoro resin (PFA)



FOR CHEMICAL, FOODSTUFF AND MEDICAL INDUSTRIES

### Product notes

- > Excellent resistance to chemicals, temperature and weather conditions
- > Very smooth, transparent inner surface
- > Suitable for air, water and corrosive fluids
- > 61.069 to 61.073: suitable for cleanroom applications

### Ordering notes

- > Standard packaging unit: 5 meters

### Technical data

Item no.	Outer diameter [mm]	Inner diameter [mm]	Minimum bending radius [mm]	Pressure range for air / gas [bar (psi)]	Pressure range for liquids [bar (psi)]	Operating pressure 20 °C (68 °F) [bar (psi)]	Usage temperature [°C (°F)]	Weight [g/m]	Packing unit [m]
61.063	4	2.5	20	-0.99 - 9 (-14.4 - 130.5)	3 (43.5)	49 (710.7)	-65 - 260 (-85 - 500)	18	5 / 20
61.064	6	4	30	-0.99 - 9 (-14.4 - 130.5)	3 (43.5)	49 (710.7)	-65 - 260 (-85 - 500)	36	5 / 20
61.065	8	6	48	-0.99 - 9 (-14.4 - 130.5)	3 (43.5)	39 (565.6)	-65 - 260 (-85 - 500)	50	5 / 20
61.066	10	7.5	60	-0.99 - 9 (-14.4 - 130.5)	3 (43.5)	39 (565.6)	-65 - 260 (-85 - 500)	78	5 / 20
61.067	12	9	72	-0.99 - 9 (-14.4 - 130.5)	3 (43.5)	59 (855.7)	-65 - 260 (-85 - 500)	112	5 / 20
61.068	16	13	78	-0.99 - 9 (-14.4 - 130.5)	3 (43.5)	34 (493.1)	-65 - 260 (-85 - 500)	154	5 / 20
61.069	4	2.5	20	-0.99 - 9 (-14.4 - 130.5)	3 (43.5)	49 (710.7)	-65 - 260 (-85 - 500)	55	5
61.070	6	4	30	-0.99 - 9 (-14.4 - 130.5)	3 (43.5)	49 (710.7)	-65 - 260 (-85 - 500)	95	5
61.071	8	6	30	-0.99 - 9 (-14.4 - 130.5)	3 (43.5)	39 (565.6)	-65 - 260 (-85 - 500)	125	5
61.072	10	7.5	60	-0.99 - 9 (-14.4 - 130.5)	3 (43.5)	39 (565.6)	-65 - 260 (-85 - 500)	190	5
61.073	12	9	72	-0.99 - 9 (-14.4 - 130.5)	3 (43.5)	39 (565.6)	-65 - 260 (-85 - 500)	270	5



Highly flexible tubing made of soft PVC for light pressure applications



**SUITABLE FOR FOODSTUFFS**

## Product notes

- > Unpressurized and low-pressure applications with concurrent pivoting motions and oscillations
- > High flexibility enables sharp turning radii for compact tubing systems
- > FDA approval for aqueous foods
- > Extremely resistant to acids and bases
- > Color transparent
- > Not suitable for vacuum

## Technical data

Item no.	Outer diameter [mm]	Inner diameter [mm]	Minimum bending radius [mm]	Pressure range [bar (psi)]	Usage temperature [°C (°F)]	Weight [g/m]	Packing unit [m]
61.211	4	2	5	0 - 1 (0 - 14.5)	-10 - 60 (14 - 140)	9	20
61.212	6	4	14	0 - 1 (0 - 14.5)	-5 - 60 (23 - 140)	17	20
61.213	8	6	25	0 - 0.5 (0 - 7.3)	-5 - 60 (23 - 140)	23	20
61.214	10	7	25	0 - 0.5 (0 - 7.3)	-10 - 60 (14 - 140)	36	20



### Tubing nipples with external thread



#### Product notes

> Select the tubing inner diameter about 1 - 2 mm smaller than the tubing nipple

#### Technical data

Item no.	For hose inner $\varnothing$ [mm]	Material
62.062	4	Brass
62.063	6	Brass

#### Dimensions

G1	SW
M5	7
M5	7



### Reinforcing sleeves

Material: stainless steel



#### Product notes

- > We recommend the use of reinforcing for all soft tubing
- > Reinforced sleeves also recommended for water transportation

#### Technical data

Item no.	Hose outer $\varnothing$ [mm]	Hose inner $\varnothing$ [mm]
<b>WR 0425</b>	4	2.5
<b>WR 0640</b>	6	4
<b>WR 0850</b>	8	5
<b>WR 0860</b>	8	6
<b>WR 1280</b>	12	8
<b>WR 1290</b>	12	9
<b>WR 1613</b>	16	13

### Tubing cutter with measuring tape

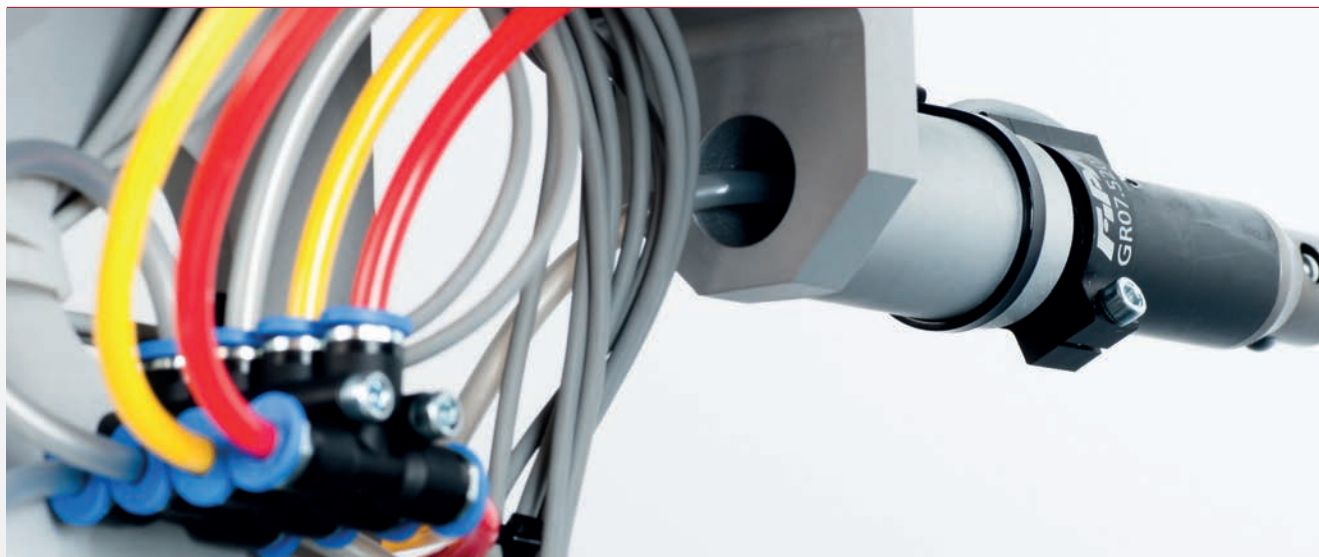


#### Technical data

Item no.	Compatible hose $\varnothing$ [mm]
<b>61.083</b>	3 - 16



## FIPA Push-in fittings



### Vacuum manifolds

- > Construction of vacuum systems by means of simple installation of push-in fittings or quick fittings
- > Inlets on one or both sides
- > Up to six inlets or outlets, male and female threads from M5 to G1 1/4
- > Design: aluminum or brass

> See page 435



### Push-in fittings and plug-in connectors – standard

- > Suitable for vacuum and pressure applications (-1 - 10 bar)
- > M, G and R male and female threads, straight or 90° version
- > T- and Y-manifolds, 2-way and 3-way angle swivel screw connections
- > Stackable plug-in connector (QC-3-3M - QC 8-8)
- > Lock connection push-in connectors 30.761 - 20.765 (straight); 30.774 - 30.778 (90°): locking of compressed air or vacuum during hose disassembly, release after reconnection
- > Rotation screw connections for mounting in with fast-running machines

> See page 437

### Push-in fittings and plug-in connectors – mini

- > Suitable for vacuum and pressure applications (-1 - 10 bar)
- > 40 % smaller than standard version
- > M, R and G male and female threads, straight, 45° or 90° version
- > T-manifold
- > Easy assembly and disassembly thanks to elliptical mini release ring

> See page 449



### Accessories

- > Double nipples
- > Thread adapters
- > Threaded sockets
- > Screw plugs
- > Sealing rings

> See page 453





### Manifolds for simple assembly of vacuum loads

Outputs on one side, at the front



#### Product notes

- > Construction of vacuum systems by means of simple installation of push-in fittings or quick fittings
- > Material: aluminum

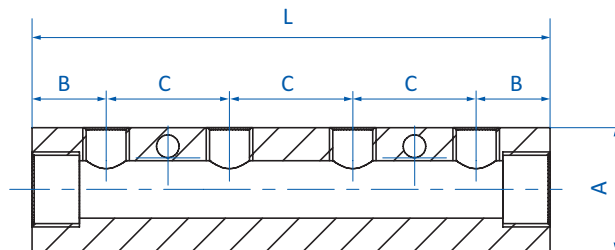
#### Technical data

Item no.	Input connection	Output connection	Suitable sealing plugs
79.000	2x 1/8	2x M5	77.000 (p.455), 77.009 (p.455)
79.001	2x 1/8	4x M5	77.000 (p.455), 77.009 (p.455)
79.002	2x 1/8	6x M5	77.000 (p.455), 77.009 (p.455)
79.003	2x 1/4	2x 1/8	77.008 (p.455), 77.009 (p.455)
79.004	2x 1/4	4x 1/8	77.008 (p.455), 77.009 (p.455)
79.005	2x 1/4	6x 1/8	77.008 (p.455), 77.009 (p.455)
79.006	2x 3/8	2x 1/4	77.008 (p.455), 77.010 (p.455)
79.007	2x 3/8	4x 1/4	77.008 (p.455), 77.010 (p.455)
79.008	2x 3/8	6x 1/4	77.008 (p.455), 77.010 (p.455)
79.009	2x 3/8	2x 1/4	77.009 (p.455), 77.010 (p.455)
79.010	2x 3/8	4x 1/8	77.009 (p.455), 77.010 (p.455)
79.011	2x 3/8	6x 1/8	77.009 (p.455), 77.010 (p.455)
79.012	2x 1/2	2x 1/4	77.007 (p.455), 77.008 (p.455)
79.013	2x 1/2	4x 1/4	77.007 (p.455), 77.008 (p.455)
79.014	2x 1/2	6x 1/4	77.007 (p.455), 77.008 (p.455)

#### Dimensions

A [mm]	B [mm]	C [mm]	L [mm]
20	15	15	45
20	15	15	75
20	15	15	105
30	15	30	60
30	15	30	120
30	15	30	180
40	18	36	72
30	18	36	144
30	18	36	216
40	18	30	72
30	18	30	126
30	18	30	186
40	22	36	80
40	22	36	152
40	22	36	224

#### Dimensions





# Tubing technology | Vacuum manifolds

Manifolds for simple assembly of vacuum loads

## Manifolds for simple assembly of vacuum loads

Outputs on both sides, at the front and rear



### Product notes

- > Construction of vacuum systems by means of simple installation of push-in fittings or quick fittings
- > Material: aluminum

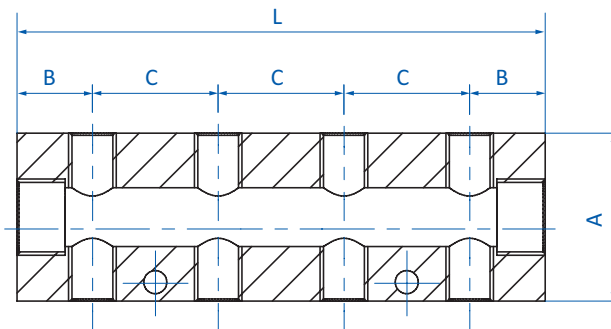
### Technical data

Item no.	Input connection	Output connection	Suitable sealing plugs
79.015	2x 1/8	2+2 x M5	77.000 (p.455) 77.009 (p.455)
79.016	2x 1/8	4+4 x M5	77.000 (p.455) 77.009 (p.455)
79.017	2x 1/4	2+2 x 1/8	77.008 (p.455) 77.009 (p.455)
79.018	2x 1/4	4+4 x 1/8	77.008 (p.455) 77.009 (p.455)
79.019	2x 3/8	2+2 x 1/4	77.008 (p.455) 77.010 (p.455)
79.020	2x 3/8	4+4 x 1/4	77.008 (p.455) 77.010 (p.455)
79.023	2x 1/2	2+2 x 1/4	77.007 (p.455) 77.008 (p.455)
79.024	2x 1/2	4+4 x 1/4	77.007 (p.455) 77.008 (p.455)

### Dimensions

A [mm]	B [mm]	C [mm]	L [mm]
20	15	15	45
20	15	15	75
30	15	30	60
30	15	30	120
40	18	36	72
40	18	36	144
40	22	36	80
40	22	36	152

### Dimensions





Straight male stud connectors



Technical data			Dimensions	
Item no.	Pressure range [bar (psi)]	Operating temperature [°C (°F)]	Ø D [mm]	G
30.000	-0.95 - 15 (-13.8 - 217.6)	0 - 60 (32 - 140)	4	M5
30.001	-0.95 - 15 (-13.8 - 217.6)	0 - 60 (32 - 140)	4	M6
30.002	-0.95 - 15 (-13.8 - 217.6)	0 - 60 (32 - 140)	4	R1/8
30.003	-0.95 - 15 (-13.8 - 217.6)	0 - 60 (32 - 140)	4	R1/4
30.004	-0.95 - 15 (-13.8 - 217.6)	0 - 60 (32 - 140)	6	M5
30.005	-0.95 - 15 (-13.8 - 217.6)	0 - 60 (32 - 140)	6	M6
30.006	-0.95 - 15 (-13.8 - 217.6)	0 - 60 (32 - 140)	6	R1/8
30.007	-0.95 - 15 (-13.8 - 217.6)	0 - 60 (32 - 140)	6	R1/4
30.008	-0.95 - 15 (-13.8 - 217.6)	0 - 60 (32 - 140)	6	R3/8
30.009	-0.95 - 15 (-13.8 - 217.6)	0 - 60 (32 - 140)	8	R1/8
30.010	-0.95 - 15 (-13.8 - 217.6)	0 - 60 (32 - 140)	8	R1/4
30.011	-0.95 - 15 (-13.8 - 217.6)	0 - 60 (32 - 140)	8	R3/8
30.002-G	-0.95 - 15 (-13.8 - 217.6)	-20 - 80 (-4 - 176)	4	G1/8
30.003-G	-0.95 - 15 (-13.8 - 217.6)	-20 - 80 (-4 - 176)	4	G1/4
30.006-G	-0.95 - 15 (-13.8 - 217.6)	-20 - 80 (-4 - 176)	6	G1/8
30.007-G	-0.95 - 15 (-13.8 - 217.6)	-20 - 80 (-4 - 176)	6	G1/4
30.008-G	-0.95 - 15 (-13.8 - 217.6)	-20 - 80 (-4 - 176)	6	G3/8
30.011-G	-0.95 - 15 (-13.8 - 217.6)	-20 - 80 (-4 - 176)	8	G3/8

**Cartridge male stud connectors, round, hex key**



Technical data				Dimensions	
Item no.	Pressure range [bar (psi)]	Operating temperature [°C (°F)]	Ø D [mm]	G	
<b>30.200</b>	-0.95 - 15 (-13.8 - 217.6)	0 - 60 (32 - 140)	4	M5	
<b>30.201</b>	-0.95 - 15 (-13.8 - 217.6)	0 - 60 (32 - 140)	4	M6	
<b>30.202</b>	-0.95 - 15 (-13.8 - 217.6)	0 - 60 (32 - 140)	4	R1/8	
<b>30.203</b>	-0.95 - 15 (-13.8 - 217.6)	0 - 60 (32 - 140)	6	M5	
<b>30.204</b>	-0.95 - 15 (-13.8 - 217.6)	0 - 60 (32 - 140)	6	M6	
<b>30.205</b>	-0.95 - 15 (-13.8 - 217.6)	0 - 60 (32 - 140)	6	R1/8	
<b>30.206</b>	-0.95 - 15 (-13.8 - 217.6)	0 - 60 (32 - 140)	6	R1/4	
<b>30.207</b>	-0.95 - 15 (-13.8 - 217.6)	0 - 60 (32 - 140)	8	R1/8	
<b>30.208</b>	-0.95 - 15 (-13.8 - 217.6)	0 - 60 (32 - 140)	8	R1/4	
<b>30.209</b>	-0.95 - 15 (-13.8 - 217.6)	0 - 60 (32 - 140)	8	R3/8	

**Straight male stud connectors with cut-off valve**

Locking of compressed air or vacuum during disassembly, release after reconnection



Technical data				Dimensions	
Item no.	Effective passage area [mm <sup>2</sup> ]	Pressure range [bar (psi)]	Operating temperature [°C (°F)]	Ø D [mm]	G
<b>30.761</b>	1.6	-0.95 - 15 (-13.8 - 217.6)	0 - 60 (32 - 140)	4	M5
<b>30.762</b>	2	-0.95 - 15 (-13.8 - 217.6)	0 - 60 (32 - 140)	4	R1/8
<b>30.763</b>	2.3	-0.95 - 15 (-13.8 - 217.6)	0 - 60 (32 - 140)	6	M5
<b>30.764</b>	7.3	-0.95 - 15 (-13.8 - 217.6)	0 - 60 (32 - 140)	6	R1/8
<b>30.765</b>	7.3	-0.95 - 15 (-13.8 - 217.6)	0 - 60 (32 - 140)	6	R1/4



## Female stud connectors



Technical data			Dimensions	
Item no.	Pressure range [bar (psi)]	Operating temperature [°C (°F)]	Ø D [mm]	G
30.050	-0.95 - 15 (-13.8 - 217.6)	0 - 60 (32 - 140)	4	R1/8
30.051	-0.95 - 15 (-13.8 - 217.6)	0 - 60 (32 - 140)	4	R1/4
30.052	-0.95 - 15 (-13.8 - 217.6)	0 - 60 (32 - 140)	6	R1/8
30.053	-0.95 - 15 (-13.8 - 217.6)	0 - 60 (32 - 140)	6	R1/4
30.054	-0.95 - 15 (-13.8 - 217.6)	0 - 60 (32 - 140)	8	R1/8
30.055	-0.95 - 15 (-13.8 - 217.6)	0 - 60 (32 - 140)	8	R1/4
30.056	-0.95 - 15 (-13.8 - 217.6)	0 - 60 (32 - 140)	8	R3/8

## Straight tube connectors – equal



Technical data			Dimensions	
Item no.	Pressure range [bar (psi)]	Operating temperature [°C (°F)]	Ø D [mm]	
30.223	-0.95 - 15 (-13.8 - 217.6)	0 - 60 (32 - 140)	4	
30.224	-0.95 - 15 (-13.8 - 217.6)	0 - 60 (32 - 140)	6	
30.225	-0.95 - 15 (-13.8 - 217.6)	0 - 60 (32 - 140)	8	

## Straight tube reducers



Technical data			Dimensions	
Item no.	Pressure range [bar (psi)]	Operating temperature [°C (°F)]	Ø D1 [mm]	Ø D2 [mm]
30.075	-0.95 - 15 (-13.8 - 217.6)	0 - 60 (32 - 140)	6	4
30.076	-0.95 - 15 (-13.8 - 217.6)	0 - 60 (32 - 140)	8	6

### 90° elbow male connectors



Technical data			Dimensions	
Item no.	Pressure range [bar (psi)]	Operating temperature [°C (°F)]	Ø D [mm]	G
<b>30.100</b>	-0.95 - 15 (-13.8 - 217.6)	0 - 60 (32 - 140)	4	M5
<b>30.101</b>	-0.95 - 15 (-13.8 - 217.6)	0 - 60 (32 - 140)	4	M6
<b>30.102</b>	-0.95 - 15 (-13.8 - 217.6)	0 - 60 (32 - 140)	4	R1/8
<b>30.103</b>	-0.95 - 15 (-13.8 - 217.6)	0 - 60 (32 - 140)	4	R1/4
<b>30.104</b>	-0.95 - 15 (-13.8 - 217.6)	0 - 60 (32 - 140)	6	M5
<b>30.105</b>	-0.95 - 15 (-13.8 - 217.6)	0 - 60 (32 - 140)	6	M6
<b>30.106</b>	-0.95 - 15 (-13.8 - 217.6)	0 - 60 (32 - 140)	6	R1/8
<b>30.107</b>	-0.95 - 15 (-13.8 - 217.6)	0 - 60 (32 - 140)	6	R1/4
<b>30.108</b>	-0.95 - 15 (-13.8 - 217.6)	0 - 60 (32 - 140)	6	R3/8
<b>30.109</b>	-0.95 - 15 (-13.8 - 217.6)	0 - 60 (32 - 140)	8	R1/8
<b>30.110</b>	-0.95 - 15 (-13.8 - 217.6)	0 - 60 (32 - 140)	8	R1/4
<b>30.111</b>	-0.95 - 15 (-13.8 - 217.6)	0 - 60 (32 - 140)	8	R3/8
<b>30.102-G</b>	-0.95 - 15 (-13.8 - 217.6)	-20 - 80 (-4 - 176)	4	G1/8
<b>30.103-G</b>	-0.95 - 15 (-13.8 - 217.6)	-20 - 80 (-4 - 176)	4	G1/4
<b>30.106-G</b>	-0.95 - 15 (-13.8 - 217.6)	-20 - 80 (-4 - 176)	6	G1/8
<b>30.107-G</b>	-0.95 - 15 (-13.8 - 217.6)	-20 - 80 (-4 - 176)	6	G1/4
<b>30.108-G</b>	-0.95 - 15 (-13.8 - 217.6)	-20 - 80 (-4 - 176)	6	G3/8
<b>30.109-G</b>	-0.95 - 15 (-13.8 - 217.6)	-20 - 80 (-4 - 176)	8	G1/8
<b>30.110-G</b>	-0.95 - 15 (-13.8 - 217.6)	-20 - 80 (-4 - 176)	8	G1/4
<b>30.111-G</b>	-0.95 - 15 (-13.8 - 217.6)	-20 - 80 (-4 - 176)	8	G3/8



## 90° elbow female connectors



### Technical data

Item no.	Pressure range [bar (psi)]	Operating temperature [°C (°F)]
30.170	-0.95 - 15 (-13.8 - 217.6)	0 - 60 (32 - 140)
30.171	-0.95 - 15 (-13.8 - 217.6)	0 - 60 (32 - 140)
30.172	-0.95 - 15 (-13.8 - 217.6)	0 - 60 (32 - 140)
30.173	-0.95 - 15 (-13.8 - 217.6)	0 - 60 (32 - 140)
30.174	-0.95 - 15 (-13.8 - 217.6)	0 - 60 (32 - 140)
30.175	-0.95 - 15 (-13.8 - 217.6)	0 - 60 (32 - 140)
30.176	-0.95 - 15 (-13.8 - 217.6)	0 - 60 (32 - 140)
30.177	-0.95 - 15 (-13.8 - 217.6)	0 - 60 (32 - 140)
30.178	-0.95 - 15 (-13.8 - 217.6)	0 - 60 (32 - 140)
30.179	-0.95 - 15 (-13.8 - 217.6)	0 - 60 (32 - 140)
30.180	-0.95 - 15 (-13.8 - 217.6)	0 - 60 (32 - 140)
30.181	-0.95 - 15 (-13.8 - 217.6)	0 - 60 (32 - 140)
30.172-G	-0.95 - 15 (-13.8 - 217.6)	-20 - 80 (-4 - 176)
30.173-G	-0.95 - 15 (-13.8 - 217.6)	-20 - 80 (-4 - 176)
30.176-G	-0.95 - 15 (-13.8 - 217.6)	-20 - 80 (-4 - 176)
30.177-G	-0.95 - 15 (-13.8 - 217.6)	-20 - 80 (-4 - 176)
30.178-G	-0.95 - 15 (-13.8 - 217.6)	-20 - 80 (-4 - 176)
30.179-G	-0.95 - 15 (-13.8 - 217.6)	-20 - 80 (-4 - 176)
30.180-G	-0.95 - 15 (-13.8 - 217.6)	-20 - 80 (-4 - 176)
30.181-G	-0.95 - 15 (-13.8 - 217.6)	-20 - 80 (-4 - 176)

### Dimensions

Ø D [mm]	G
4	M5
4	M6
4	R1/8
4	R1/4
6	M5
6	M6
6	R1/8
6	R1/4
6	R3/8
8	R1/8
8	R1/4
8	R3/8
4	G1/8
4	G1/4
6	G1/8
6	G1/4
6	G3/8
8	G1/8
8	G1/4
8	G3/8

## 90° male elbows with cut-off valve

Locking of compressed air or vacuum during disassembly, release after reconnection



### Technical data

Item no.	Pressure range [bar (psi)]	Operating temperature [°C (°F)]
30.774	-0.95 - 15 (-13.8 - 217.6)	0 - 60 (32 - 140)
30.775	-0.95 - 15 (-13.8 - 217.6)	0 - 60 (32 - 140)
30.776	-0.95 - 15 (-13.8 - 217.6)	0 - 60 (32 - 140)
30.777	-0.95 - 15 (-13.8 - 217.6)	0 - 60 (32 - 140)
30.778	-0.95 - 15 (-13.8 - 217.6)	0 - 60 (32 - 140)

### Dimensions

Ø D [mm]	G
4	M5
4	G1/8
6	M5
6	G1/8
6	G1/4

90° elbow connectors – equal



Technical data			Dimensions	
Item no.	Pressure range [bar (psi)]	Operating temperature [°C (°F)]	Ø D [mm]	
30.270	-0.95 - 15 (-13.8 - 217.6)	0 - 60 (32 - 140)	4	
30.271	-0.95 - 15 (-13.8 - 217.6)	0 - 60 (32 - 140)	6	
30.272	-0.95 - 15 (-13.8 - 217.6)	0 - 60 (32 - 140)	8	

Male banjo connectors



Technical data			Dimensions	
Item no.	Pressure range [bar (psi)]	Operating temperature [°C (°F)]	Ø D [mm]	G
30.300	-0.95 - 15 (-13.8 - 217.6)	0 - 60 (32 - 140)	4	M6
30.301	-0.95 - 15 (-13.8 - 217.6)	0 - 60 (32 - 140)	4	R1/8
30.302	-0.95 - 15 (-13.8 - 217.6)	0 - 60 (32 - 140)	6	M5
30.303	-0.95 - 15 (-13.8 - 217.6)	0 - 60 (32 - 140)	6	M6
30.304	-0.95 - 15 (-13.8 - 217.6)	0 - 60 (32 - 140)	6	R1/8
30.305	-0.95 - 15 (-13.8 - 217.6)	0 - 60 (32 - 140)	6	R1/4
30.306	-0.95 - 15 (-13.8 - 217.6)	0 - 60 (32 - 140)	8	R1/8
30.307	-0.95 - 15 (-13.8 - 217.6)	0 - 60 (32 - 140)	8	R1/4
30.308	-0.95 - 15 (-13.8 - 217.6)	0 - 60 (32 - 140)	8	R3/8





Male branch tee connectors



Technical data			Dimensions	
Item no.	Pressure range [bar (psi)]	Operating temperature [°C (°F)]	Ø D [mm]	G
30.332	-0.95 - 15 (-13.8 - 217.6)	0 - 60 (32 - 140)	4	M5
30.333	-0.95 - 15 (-13.8 - 217.6)	0 - 60 (32 - 140)	4	M6
30.334	-0.95 - 15 (-13.8 - 217.6)	0 - 60 (32 - 140)	4	R1/8
30.335	-0.95 - 15 (-13.8 - 217.6)	0 - 60 (32 - 140)	4	R1/4
30.336	-0.95 - 15 (-13.8 - 217.6)	0 - 60 (32 - 140)	6	M5
30.337	-0.95 - 15 (-13.8 - 217.6)	0 - 60 (32 - 140)	6	M6
30.338	-0.95 - 15 (-13.8 - 217.6)	0 - 60 (32 - 140)	6	R1/8
30.339	-0.95 - 15 (-13.8 - 217.6)	0 - 60 (32 - 140)	6	R1/4
30.340	-0.95 - 15 (-13.8 - 217.6)	0 - 60 (32 - 140)	6	R3/8
30.341	-0.95 - 15 (-13.8 - 217.6)	0 - 60 (32 - 140)	8	R1/8
30.342	-0.95 - 15 (-13.8 - 217.6)	0 - 60 (32 - 140)	8	R1/4
30.343	-0.95 - 15 (-13.8 - 217.6)	0 - 60 (32 - 140)	8	R3/8

Equal tube tee connectors



Technical data			Dimensions	
Item no.	Pressure range [bar (psi)]	Operating temperature [°C (°F)]	Ø D [mm]	
30.390	-0.95 - 15 (-13.8 - 217.6)	0 - 60 (32 - 140)	4	
30.391	-0.95 - 15 (-13.8 - 217.6)	0 - 60 (32 - 140)	6	
30.392	-0.95 - 15 (-13.8 - 217.6)	0 - 60 (32 - 140)	8	

### Unequal tube tee connectors



Technical data			Dimensions	
Item no.	Pressure range [bar (psi)]	Operating temperature [°C (°F)]	Ø D1 [mm]	Ø D2 [mm]
<b>30.399</b>	-0.95 - 15 (-13.8 - 217.6)	0 - 60 (32 - 140)	6	4
<b>30.400</b>	-0.95 - 15 (-13.8 - 217.6)	0 - 60 (32 - 140)	8	6

### Equal Y-connectors



Technical data			Dimensions	
Item no.	Pressure range [bar (psi)]	Operating temperature [°C (°F)]	Ø D [mm]	
<b>30.431</b>	-0.95 - 15 (-13.8 - 217.6)	0 - 60 (32 - 140)	4	
<b>30.432</b>	-0.95 - 15 (-13.8 - 217.6)	0 - 60 (32 - 140)	6	
<b>30.433</b>	-0.95 - 15 (-13.8 - 217.6)	0 - 60 (32 - 140)	8	

### Unequal Y-connectors



Technical data			Dimensions	
Item no.	Pressure range [bar (psi)]	Operating temperature [°C (°F)]	Ø D1 [mm]	Ø D2 [mm]
<b>30.440</b>	-0.95 - 15 (-13.8 - 217.6)	0 - 60 (32 - 140)	6	4
<b>30.441</b>	-0.95 - 15 (-13.8 - 217.6)	0 - 60 (32 - 140)	8	6



## Male Y-connectors



### Technical data

Item no.	Pressure range [bar (psi)]	Operating temperature [°C (°F)]
30.403	-0.95 - 15 (-13.8 - 217.6)	0 - 60 (32 - 140)
30.404	-0.95 - 15 (-13.8 - 217.6)	0 - 60 (32 - 140)
30.405	-0.95 - 15 (-13.8 - 217.6)	0 - 60 (32 - 140)
30.406	-0.95 - 15 (-13.8 - 217.6)	0 - 60 (32 - 140)
30.407	-0.95 - 15 (-13.8 - 217.6)	0 - 60 (32 - 140)
30.408	-0.95 - 15 (-13.8 - 217.6)	0 - 60 (32 - 140)
30.409	-0.95 - 15 (-13.8 - 217.6)	0 - 60 (32 - 140)
30.410	-0.95 - 15 (-13.8 - 217.6)	0 - 60 (32 - 140)
30.411	-0.95 - 15 (-13.8 - 217.6)	0 - 60 (32 - 140)
30.412	-0.95 - 15 (-13.8 - 217.6)	0 - 60 (32 - 140)
30.413	-0.95 - 15 (-13.8 - 217.6)	0 - 60 (32 - 140)

### Dimensions

Ø D [mm]	G
4	M5
4	R1/8
4	R1/4
6	M5
6	M6
6	R1/8
6	R1/4
6	R3/8
8	R1/8
8	R1/4
8	R3/8

## Elbow Y male connectors



### Technical data

Item no.	Pressure range [bar (psi)]	Operating temperature [°C (°F)]
30.518	-0.95 - 15 (-13.8 - 217.6)	0 - 60 (32 - 140)
30.519	-0.95 - 15 (-13.8 - 217.6)	0 - 60 (32 - 140)
30.520	-0.95 - 15 (-13.8 - 217.6)	0 - 60 (32 - 140)
30.521	-0.95 - 15 (-13.8 - 217.6)	0 - 60 (32 - 140)
30.522	-0.95 - 15 (-13.8 - 217.6)	0 - 60 (32 - 140)
30.523	-0.95 - 15 (-13.8 - 217.6)	0 - 60 (32 - 140)
30.524	-0.95 - 15 (-13.8 - 217.6)	0 - 60 (32 - 140)
30.525	-0.95 - 15 (-13.8 - 217.6)	0 - 60 (32 - 140)
30.527	-0.95 - 15 (-13.8 - 217.6)	0 - 60 (32 - 140)
30.528	-0.95 - 15 (-13.8 - 217.6)	0 - 60 (32 - 140)
30.529	-0.95 - 15 (-13.8 - 217.6)	0 - 60 (32 - 140)

### Dimensions

Ø D [mm]	G
4	M5
4	M6
4	R1/8
4	R1/4
6	M5
6	M6
6	R1/8
6	R1/4
8	R1/8
8	R1/4
8	R3/8

### Push-in connectors QC

Available as an option: connecting strap for parallel circuit = QB-H, for series circuit = QB-T



Technical data			Dimensions	
Item no.	Pressure range [bar (psi)]	Operating temperature [°C (°F)]	Ø D1 [mm]	Ø D2 [mm]
<b>QC3-3M</b>	-0.95 - 15 (-13.8 - 217.6)	0 - 60 (32 - 140)	3	3
<b>QC3-4M</b>	-0.95 - 15 (-13.8 - 217.6)	0 - 60 (32 - 140)	3	4
<b>QC3-6M</b>	-0.95 - 15 (-13.8 - 217.6)	0 - 60 (32 - 140)	3	6
<b>QC4-3M</b>	-0.95 - 15 (-13.8 - 217.6)	0 - 60 (32 - 140)	4	3
<b>QC4-4M</b>	-0.95 - 15 (-13.8 - 217.6)	0 - 60 (32 - 140)	4	4
<b>QC4-6M</b>	-0.95 - 15 (-13.8 - 217.6)	0 - 60 (32 - 140)	4	6
<b>QC6-3M</b>	-0.95 - 15 (-13.8 - 217.6)	0 - 60 (32 - 140)	6	3
<b>QC6-4M</b>	-0.95 - 15 (-13.8 - 217.6)	0 - 60 (32 - 140)	6	4
<b>QC6-6M</b>	-0.95 - 15 (-13.8 - 217.6)	0 - 60 (32 - 140)	6	6
<b>QC6-6</b>	-0.95 - 15 (-13.8 - 217.6)	0 - 60 (32 - 140)	6	6
<b>QC6-8</b>	-0.95 - 15 (-13.8 - 217.6)	0 - 60 (32 - 140)	6	8
<b>QC8-6</b>	-0.95 - 15 (-13.8 - 217.6)	0 - 60 (32 - 140)	8	6
<b>QC8-8</b>	-0.95 - 15 (-13.8 - 217.6)	0 - 60 (32 - 140)	8	8

### Two stack banjos



Technical data			Dimensions	
Item no.	Pressure range [bar (psi)]	Operating temperature [°C (°F)]	Ø D [mm]	G
<b>30.599</b>	-0.95 - 15 (-13.8 - 217.6)	0 - 60 (32 - 140)	4	R1/8
<b>30.600</b>	-0.95 - 15 (-13.8 - 217.6)	0 - 60 (32 - 140)	4	R1/4
<b>30.601</b>	-0.95 - 15 (-13.8 - 217.6)	0 - 60 (32 - 140)	4	R3/8
<b>30.602</b>	-0.95 - 15 (-13.8 - 217.6)	0 - 60 (32 - 140)	6	R1/8
<b>30.603</b>	-0.95 - 15 (-13.8 - 217.6)	0 - 60 (32 - 140)	6	R1/4
<b>30.604</b>	-0.95 - 15 (-13.8 - 217.6)	0 - 60 (32 - 140)	6	R3/8
<b>30.605</b>	-0.95 - 15 (-13.8 - 217.6)	0 - 60 (32 - 140)	8	R1/8
<b>30.606</b>	-0.95 - 15 (-13.8 - 217.6)	0 - 60 (32 - 140)	8	R1/4
<b>30.607</b>	-0.95 - 15 (-13.8 - 217.6)	0 - 60 (32 - 140)	8	R3/8
<b>30.608</b>	-0.95 - 15 (-13.8 - 217.6)	0 - 60 (32 - 140)	8	R1/2



## Two stack, twin banjos



Technical data			Dimensions	
Item no.	Pressure range [bar (psi)]	Operating temperature [°C (°F)]	Ø D [mm]	G
30.649	-0.95 - 15 (-13.8 - 217.6)	0 - 60 (32 - 140)	4	R1/8
30.650	-0.95 - 15 (-13.8 - 217.6)	0 - 60 (32 - 140)	4	R1/4
30.651	-0.95 - 15 (-13.8 - 217.6)	0 - 60 (32 - 140)	4	R3/8
30.652	-0.95 - 15 (-13.8 - 217.6)	0 - 60 (32 - 140)	6	R1/8
30.653	-0.95 - 15 (-13.8 - 217.6)	0 - 60 (32 - 140)	6	R1/4
30.654	-0.95 - 15 (-13.8 - 217.6)	0 - 60 (32 - 140)	6	R3/8
30.655	-0.95 - 15 (-13.8 - 217.6)	0 - 60 (32 - 140)	8	R1/8
30.656	-0.95 - 15 (-13.8 - 217.6)	0 - 60 (32 - 140)	8	R1/4
30.657	-0.95 - 15 (-13.8 - 217.6)	0 - 60 (32 - 140)	8	R3/8
30.658	-0.95 - 15 (-13.8 - 217.6)	0 - 60 (32 - 140)	8	R1/2

## 3-way male elbow connectors



Technical data			Dimensions	
Item no.	Pressure range [bar (psi)]	Operating temperature [°C (°F)]	Ø D [mm]	G
30.490	-0.95 - 15 (-13.8 - 217.6)	0 - 60 (32 - 140)	4	M5
30.491	-0.95 - 15 (-13.8 - 217.6)	0 - 60 (32 - 140)	4	M6
30.492	-0.95 - 15 (-13.8 - 217.6)	0 - 60 (32 - 140)	4	R1/8
30.493	-0.95 - 15 (-13.8 - 217.6)	0 - 60 (32 - 140)	4	R1/4
30.494	-0.95 - 15 (-13.8 - 217.6)	0 - 60 (32 - 140)	6	M5
30.495	-0.95 - 15 (-13.8 - 217.6)	0 - 60 (32 - 140)	6	M6
30.496	-0.95 - 15 (-13.8 - 217.6)	0 - 60 (32 - 140)	6	R1/8
30.497	-0.95 - 15 (-13.8 - 217.6)	0 - 60 (32 - 140)	6	R1/4
30.498	-0.95 - 15 (-13.8 - 217.6)	0 - 60 (32 - 140)	6	R3/8
30.499	-0.95 - 15 (-13.8 - 217.6)	0 - 60 (32 - 140)	8	R1/8
30.500	-0.95 - 15 (-13.8 - 217.6)	0 - 60 (32 - 140)	8	R1/4
30.501	-0.95 - 15 (-13.8 - 217.6)	0 - 60 (32 - 140)	8	R3/8

Three stack, twin banjos



Technical data			Dimensions	
Item no.	Pressure range [bar (psi)]	Operating temperature [°C (°F)]	Ø D [mm]	G
<b>30.674</b>	-0.95 - 15 (-13.8 - 217.6)	0 - 60 (32 - 140)	4	R1/8
<b>30.675</b>	-0.95 - 15 (-13.8 - 217.6)	0 - 60 (32 - 140)	4	R1/4
<b>30.676</b>	-0.95 - 15 (-13.8 - 217.6)	0 - 60 (32 - 140)	4	R3/8
<b>30.677</b>	-0.95 - 15 (-13.8 - 217.6)	0 - 60 (32 - 140)	6	R1/8
<b>30.678</b>	-0.95 - 15 (-13.8 - 217.6)	0 - 60 (32 - 140)	6	R1/4
<b>30.679</b>	-0.95 - 15 (-13.8 - 217.6)	0 - 60 (32 - 140)	6	R3/8
<b>30.680</b>	-0.95 - 15 (-13.8 - 217.6)	0 - 60 (32 - 140)	8	R1/8
<b>30.681</b>	-0.95 - 15 (-13.8 - 217.6)	0 - 60 (32 - 140)	8	R1/4
<b>30.682</b>	-0.95 - 15 (-13.8 - 217.6)	0 - 60 (32 - 140)	8	R3/8
<b>30.683</b>	-0.95 - 15 (-13.8 - 217.6)	0 - 60 (32 - 140)	8	R1/2



## Mini male stud connectors



Technical data			Dimensions	
Item no.	Pressure range [bar (psi)]	Operating temperature [°C (°F)]	Ø D [mm]	G
30.900	-0.95 - 15 (-13.8 - 217.6)	0 - 60 (32 - 140)	3	M3
30.901	-0.95 - 15 (-13.8 - 217.6)	0 - 60 (32 - 140)	3	M5
30.902	-0.95 - 15 (-13.8 - 217.6)	0 - 60 (32 - 140)	3	M6
30.903	-0.95 - 15 (-13.8 - 217.6)	0 - 60 (32 - 140)	4	M3
30.904	-0.95 - 15 (-13.8 - 217.6)	0 - 60 (32 - 140)	4	M5
30.905	-0.95 - 15 (-13.8 - 217.6)	0 - 60 (32 - 140)	4	M6
30.906	-0.95 - 15 (-13.8 - 217.6)	0 - 60 (32 - 140)	4	R1/8
30.907	-0.95 - 15 (-13.8 - 217.6)	0 - 60 (32 - 140)	6	M5
30.908	-0.95 - 15 (-13.8 - 217.6)	0 - 60 (32 - 140)	6	M6
30.906-G	-0.95 - 15 (-13.8 - 217.6)	-20 - 80 (-4 - 176)	4	G1/8
30.910-G	-0.95 - 15 (-13.8 - 217.6)	-20 - 80 (-4 - 176)	6	G1/8

## Mini male stud connectors, round, hex key



Technical data			Dimensions	
Item no.	Pressure range [bar (psi)]	Operating temperature [°C (°F)]	Ø D [mm]	G
30.921	-0.95 - 15 (-13.8 - 217.6)	0 - 60 (32 - 140)	3	M5
30.922	-0.95 - 15 (-13.8 - 217.6)	0 - 60 (32 - 140)	4	M3
30.923	-0.95 - 15 (-13.8 - 217.6)	0 - 60 (32 - 140)	4	M5
30.924	-0.95 - 15 (-13.8 - 217.6)	0 - 60 (32 - 140)	4	M6
30.925	-0.95 - 15 (-13.8 - 217.6)	0 - 60 (32 - 140)	4	R1/8
30.926	-0.95 - 15 (-13.8 - 217.6)	0 - 60 (32 - 140)	6	M5
30.927	-0.95 - 15 (-13.8 - 217.6)	0 - 60 (32 - 140)	6	M6
30.928	-0.95 - 15 (-13.8 - 217.6)	0 - 60 (32 - 140)	6	R1/8

### Mini tube fittings, cartridge



Technical data			Dimensions	
Item no.	Pressure range [bar (psi)]	Operating temperature [°C (°F)]	Ø D [mm]	G
<b>30.932</b>	-0.95 - 15 (-13.8 - 217.6)	0 - 60 (32 - 140)	3	M6
<b>30.933</b>	-0.95 - 15 (-13.8 - 217.6)	0 - 60 (32 - 140)	4	M6
<b>30.934</b>	-0.95 - 15 (-13.8 - 217.6)	0 - 60 (32 - 140)	4	M8
<b>30.935</b>	-0.95 - 15 (-13.8 - 217.6)	0 - 60 (32 - 140)	6	M8

### Mini female stud connectors



Technical data			Dimensions	
Item no.	Pressure range [bar (psi)]	Operating temperature [°C (°F)]	Ø D [mm]	G
<b>30.914</b>	-0.95 - 15 (-13.8 - 217.6)	0 - 60 (32 - 140)	3	M3
<b>30.915</b>	-0.95 - 15 (-13.8 - 217.6)	0 - 60 (32 - 140)	3	M5
<b>30.916</b>	-0.95 - 15 (-13.8 - 217.6)	0 - 60 (32 - 140)	4	M3
<b>30.917</b>	-0.95 - 15 (-13.8 - 217.6)	0 - 60 (32 - 140)	4	M5

### Mini 45° male elbow connectors



Technical data			Dimensions	
Item no.	Pressure range [bar (psi)]	Operating temperature [°C (°F)]	Ø D [mm]	G
<b>30.976</b>	-0.95 - 15 (-13.8 - 217.6)	0 - 60 (32 - 140)	4	M3
<b>30.977</b>	-0.95 - 15 (-13.8 - 217.6)	0 - 60 (32 - 140)	4	M5
<b>30.978</b>	-0.95 - 15 (-13.8 - 217.6)	0 - 60 (32 - 140)	4	M6
<b>30.979</b>	-0.95 - 15 (-13.8 - 217.6)	0 - 60 (32 - 140)	4	R1/8
<b>30.980</b>	-0.95 - 15 (-13.8 - 217.6)	0 - 60 (32 - 140)	6	M5
<b>30.981</b>	-0.95 - 15 (-13.8 - 217.6)	0 - 60 (32 - 140)	6	M6
<b>30.982</b>	-0.95 - 15 (-13.8 - 217.6)	0 - 60 (32 - 140)	6	R1/8





Mini unequal tube tee connectors



Technical data			Dimensions	
Item no.	Pressure range [bar (psi)]	Operating temperature [°C (°F)]	Ø D1 [mm]	Ø D2 [mm]
31.025	-0.95 - 15 (-13.8 - 217.6)	0 - 60 (32 - 140)	4	3
31.026	-0.95 - 15 (-13.8 - 217.6)	0 - 60 (32 - 140)	6	4

Mini extended male elbow connectors



Technical data			Dimensions	
Item no.	Pressure range [bar (psi)]	Operating temperature [°C (°F)]	Ø D [mm]	G
30.963	-0.95 - 15 (-13.8 - 217.6)	0 - 60 (32 - 140)	3	M3
30.964	-0.95 - 15 (-13.8 - 217.6)	0 - 60 (32 - 140)	4	M3
30.965	-0.95 - 15 (-13.8 - 217.6)	0 - 60 (32 - 140)	4	M5
30.966	-0.95 - 15 (-13.8 - 217.6)	0 - 60 (32 - 140)	4	M6
30.967	-0.95 - 15 (-13.8 - 217.6)	0 - 60 (32 - 140)	4	R1/8
30.968	-0.95 - 15 (-13.8 - 217.6)	0 - 60 (32 - 140)	6	M5
30.969	-0.95 - 15 (-13.8 - 217.6)	0 - 60 (32 - 140)	6	M6
30.970	-0.95 - 15 (-13.8 - 217.6)	0 - 60 (32 - 140)	6	R1/8

Mini male elbow connectors



Technical data			Dimensions	
Item no.	Pressure range [bar (psi)]	Operating temperature [°C (°F)]	Ø D [mm]	G
<b>30.949</b>	-0.95 - 15 (-13.8 - 217.6)	0 - 60 (32 - 140)	3	M3
<b>30.950</b>	-0.95 - 15 (-13.8 - 217.6)	0 - 60 (32 - 140)	3	M5
<b>30.951</b>	-0.95 - 15 (-13.8 - 217.6)	0 - 60 (32 - 140)	3	M6
<b>30.952</b>	-0.95 - 15 (-13.8 - 217.6)	0 - 60 (32 - 140)	4	M3
<b>30.953</b>	-0.95 - 15 (-13.8 - 217.6)	0 - 60 (32 - 140)	4	M5
<b>30.954</b>	-0.95 - 15 (-13.8 - 217.6)	0 - 60 (32 - 140)	4	M6
<b>30.955</b>	-0.95 - 15 (-13.8 - 217.6)	0 - 60 (32 - 140)	4	R1/8
<b>30.956</b>	-0.95 - 15 (-13.8 - 217.6)	0 - 60 (32 - 140)	6	M5
<b>30.957</b>	-0.95 - 15 (-13.8 - 217.6)	0 - 60 (32 - 140)	6	M6
<b>30.958</b>	-0.95 - 15 (-13.8 - 217.6)	0 - 60 (32 - 140)	6	R1/8

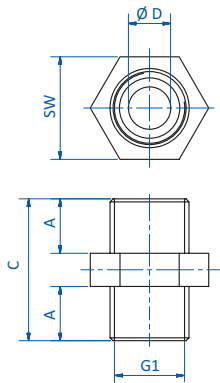
Mini male branch equal tee connectors



Technical data			Dimensions	
Item no.	Pressure range [bar (psi)]	Operating temperature [°C (°F)]	Ø D [mm]	G
<b>30.993</b>	-0.95 - 15 (-13.8 - 217.6)	0 - 60 (32 - 140)	3	M3
<b>30.994</b>	-0.95 - 15 (-13.8 - 217.6)	0 - 60 (32 - 140)	3	M5
<b>30.995</b>	-0.95 - 15 (-13.8 - 217.6)	0 - 60 (32 - 140)	3	M6
<b>30.996</b>	-0.95 - 15 (-13.8 - 217.6)	0 - 60 (32 - 140)	4	M3
<b>30.997</b>	-0.95 - 15 (-13.8 - 217.6)	0 - 60 (32 - 140)	4	M5
<b>30.998</b>	-0.95 - 15 (-13.8 - 217.6)	0 - 60 (32 - 140)	4	M6
<b>30.999</b>	-0.95 - 15 (-13.8 - 217.6)	0 - 60 (32 - 140)	4	R1/8
<b>31.000</b>	-0.95 - 15 (-13.8 - 217.6)	0 - 60 (32 - 140)	6	M5
<b>31.001</b>	-0.95 - 15 (-13.8 - 217.6)	0 - 60 (32 - 140)	6	M6
<b>31.002</b>	-0.95 - 15 (-13.8 - 217.6)	0 - 60 (32 - 140)	6	R1/8

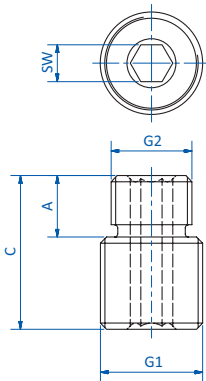


Double nipples, equal thread – SZ-GA-MM



Technical data		Dimensions				
Item no.	Material	G1 (male)	A [mm]	C [mm]	Ø D [mm]	SW
270.420	Brass	M5	5	13	2.5	7
270.059	Brass	G1/8	7	18	5	14
270.120	Brass	G1/4	9	23.5	7	17
270.121	Nickel-plated brass	G3/8	9	23	11	19

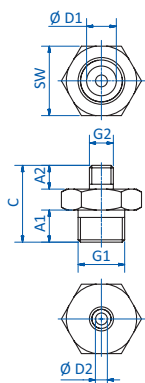
Reducing bushes with hex socket – SZ GA- MMI



Technical data		Dimensions				
Item no.	Material	G1 (male)	G2 (male)	A [mm]	C [mm]	SW
270.561	Aluminum	G3/8	G1/4	10	25	6
270.562	Aluminum	G3/8	M10	12	27	5
270.563	Aluminum	G3/8	M14	12	27	6
270.564	Aluminum	G1/4	G1/4	--	22	5
270.565	Aluminum	G1/4	M10	12	24	5
270.566	Aluminum	G1/4	M14	11	24	5



Reducing nipples – SZ-GA-RMM



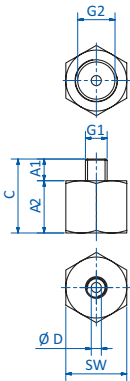
Technical data

Dimensions

Item no.	Material	G1 (male)	G2 (male)	A1 [mm]	A2 [mm]	C [mm]	D1 [mm]	D2 [mm]	SW
<b>270.280</b>	Nickel-plated brass	G1/8	M5	6.5	4.8	15.5	6	2.4	14
<b>270.279</b>	Aluminum	G1/8	M6	9	7	21	3	3	14
<b>270.131</b>	Brass	G1/8	M8	7	6	18	4	4	14
<b>270.107</b>	Aluminum	G1/8	M12	7.5	8.5	21	5.6	5.6	17
<b>270.227</b>	Brass	G1/4	M5	9	5	19	7.5	2.5	17
<b>270.320</b>	Aluminum	G1/4	M10	10	10	25	5.5	5.5	17
<b>270.108</b>	Aluminum	G1/4	M12	8	8	21	5.5	5.5	17
<b>270.181</b>	Nickel-plated brass	G1/4	G1/8	9	8	22	4	4	17



### Reducing bushings male/female – SZ-GA-MF



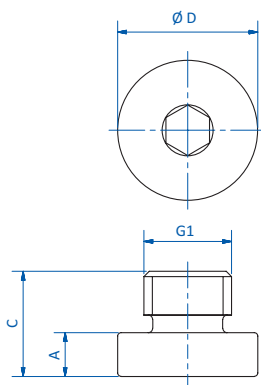
#### Technical data

Item no.	Material
270.423	Nickel-plated brass
270.079	Brass
270.576	Steel galvanized
270.577	Steel galvanized
270.302	Nickel-plated brass
270.303	Nickel-plated brass
270.334	Nickel-plated brass
270.304	Aluminum
270.090	Brass
270.088	Aluminum
270.245	Brass
270.078	Brass
270.567	Aluminum
270.560	Aluminum

#### Dimensions

G1 (male)	G2 (female)	A1 [mm]	A2 [mm]	C [mm]	Ø D [mm]	SW
M5	M5	4	7	11	2	8
M5	G1/8	5	12	17	2.3	14
M12	G1/4	10	12	22	6.5	17
M16	G3/8	10	15	25	10	24
G1/8	M5	6	4	10	--	14
G1/8	M6	8	5	13	--	13
G1/8	G1/4	6	10	20	5.3	17
G1/4	M6	10	5	15	--	17
G1/4	M10	5.7	4	11.5	--	19
G1/4	M10	12	16	28	4	17
G1/4	G1/8	9	4	13	--	17
G1/4	G1/4	10	18	28	7.5	17
G1/4	G3/8	11	16	27	4	20
G3/8	G1/4	11	5	16	--	22

### Blanking plugs with O-ring seal – SZ-SCV



#### Technical data

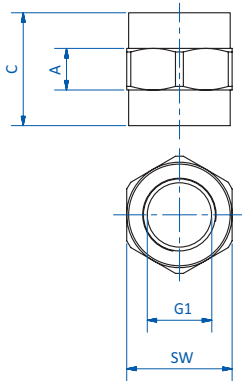
Item no.	Material
77.000	Nickel-plated brass
77.009	Nickel-plated brass
77.008	Nickel-plated brass
77.007	Nickel-plated brass
77.010	Nickel-plated brass

#### Dimensions

G1 (male)	A [mm]	C [mm]	Ø D [mm]
M5	2	6	8
G1/8	3	11	17
G1/4	3	9.5	14
G1/2	3.5	13.5	25
G3/8	3.5	12.5	20



Threaded bushes – SZ-GA-FF



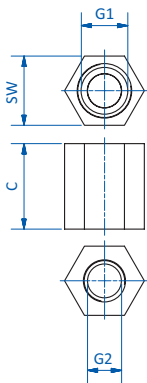
Technical data

Item no.	Material
270.343	Nickel-plated brass
270.182.O	Aluminum
270.579	Aluminum

Dimensions

G1 (female)	A [mm]	C [mm]	SW
G1/8	5.5	15	14
G1/4	20	20	19
G3/8	23	23	22

Reducing bushes – SZ-GA-RFF



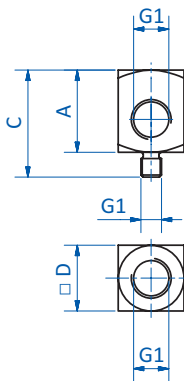
Technical data

Item no.	Material
270.306	Aluminum
270.307	Aluminum
270.308	Aluminum
270.089	Aluminum
270.228	Nickel-plated brass

Dimensions

G1 (female)	G2 (female)	C [mm]	SW
G1/8	M5	14	13
G1/8	M6	14	13
G1/4	M6	17.5	17
G1/4	M10	21	17
G3/8	G1/4	21.5	22

Elbow connectors AG – SZ-WAA



Technical data

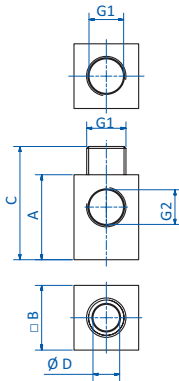
Item no.	Material
GR07.010	Steel nickel-plated
GR07.011	Steel nickel-plated
GR07.012	Steel nickel-plated
GR07.013	Steel nickel-plated

Dimensions

G1 (female)	G2 (male)	A [mm]	C [mm]	□ D [mm]
G1/8	M5	20	26	16
G1/4	M6	33	43	25
G1/4	M8	33	43	25
G1/4	G1/8	25	35	20



### Elbow connectors IG – SZ-WAI



#### Technical data

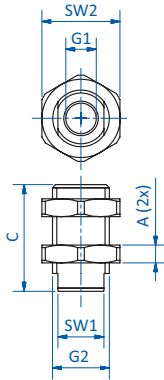
Item no.	Material
270.395	Aluminum
270.396	Aluminum

#### Dimensions

G1 (female+male)	G2 (female)	A [mm]	B [mm]	C [mm]	Ø D [mm]
G1/8	G1/8	21	16	28	6.6
G1/4	G1/8	26	18	36	8

### Bulkhead connectors – SZ-SVS

Allow for height adjustment during vacuum cup installation



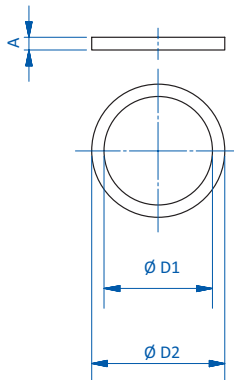
#### Technical data

Item no.	Material bushing	Material screw nut
270.518	Stainless steel	Steel galvanized
270.519	Stainless steel	Steel galvanized

#### Dimensions

G1 (female)	G2 (male)	A [mm]	C [mm]	SW1	SW2
G1/8	M16	5	30	13	22
G1/4	M20	5	30	-	24

### Sealing rings – SZ-DR



#### Technical data

Item no.	For outside thread	Material
78.052	M5	Rigid PVC white
78.053	G1/8	Rigid PVC white
78.054	G1/4	Rigid PVC white
78.051	G3/8	Rigid PVC white
78.055	G1/2	Rigid PVC white
78.056	G3/4	Rigid PVC white

#### Dimensions

A [mm]	Ø D1 [mm]	Ø D2 [mm]
1	5.4	7.9
2	10.3	13.5
2	13.3	18
2	17.5	21.3
2	21.2	27.9
2	26.8	33

#### Ordering notes

1 packing unit = 100 pieces

## Vacuum cups: holding forces



### Calculation

The force exerted by a vacuum cup holding or lifting a workpiece depends on many factors. These include the acceleration, the safety factor, turning and tilting moments, the elasticity of the material and even the design of the vacuum cup.

Regardless of such factors, the holding power of a vacuum cup can easily be identified by the following formula:

$$\text{Holding power in N} = \frac{\text{active suction surface in cm}^2 \times \text{vacuum available in \%}}{10}$$

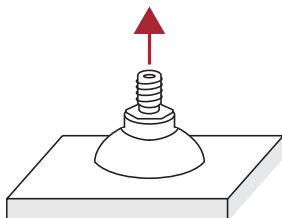
The following applies: The holding power of a vacuum cup is proportional to the active suction surface.

To determine the necessary vacuum cup diameter or the required active suction surface, the following formula helps:

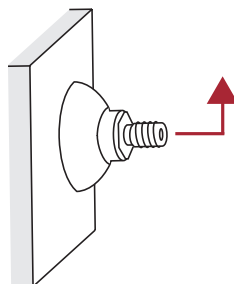
$$\text{Vacuum cup diameter in mm} = 113 \times \sqrt{\frac{\text{weight in kg} \times \text{safety factor}}{\text{underpressure in \%} \times \text{number of vacuum cups}}}$$

### Important: the safety factor (dependent on the lifting direction)

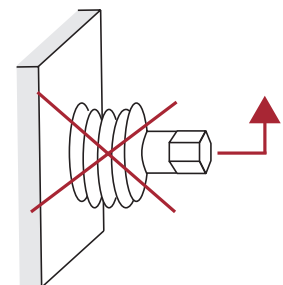
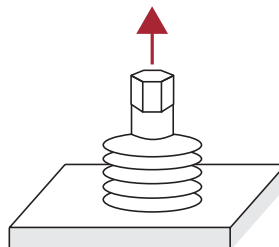
Min. 2x safety factor



Min. 4x safety factor



Min. 2x safety factor





## Average values for vacuum cups in standard applications

Vacuum cup diameter [mm]	Effective diameter approx. [mm]	Effective suction surface approx. [cm <sup>2</sup> ]	Theoretical holding force 20 % vacuum [N]	Theoretical holding force 60 % vacuum [N]	Theoretical holding force 80 % vacuum [N]	Volume flat approx. [cm <sup>3</sup> ]	Volume bellows approx. [cm <sup>3</sup> ]	Recommended internal tubing diameter approx. [mm]
1	0.80	0.0050	0.01	0.03	0.04	0.001	0.05	2
2	1.60	0.0201	0.04	0.12	0.16	0.001	0.05	2
3	2.40	0.0452	0.09	0.27	0.36	0.002	0.05	2
4	3.20	0.0804	0.16	0.48	0.64	0.003	0.05	2
5	4.00	0.1257	0.25	0.75	1.01	0.005	0.1	2
6	5.17	0.2101	0.42	1.26	1.68	0.008	0.1	2
7	6.03	0.2860	0.57	1.72	2.29	0.015	0.1	2
8	6.90	0.3736	0.75	2.24	2.99	0.03	0.2	2
9	7.76	0.4728	0.95	2.84	3.78	0.05	0.2	2
10	8.62	0.5837	1.17	3.50	4.67	0.07	0.5	4
11	9.48	0.7063	1.41	4.24	5.65	0.1	0.5	4
12	10.34	0.8405	1.68	5.04	6.72	0.1	1	4
13	11.21	0.9864	1.97	5.92	7.89	0.2	1	4
14	12.07	1.1440	2.29	6.86	9.15	0.3	1	4
15	12.93	1.3133	2.63	7.88	10.51	0.4	3	4
16	13.79	1.4942	2.99	8.97	11.95	0.5	3	4
17	14.66	1.6868	3.37	10.12	13.49	0.5	3	4
18	15.52	1.8911	3.78	11.35	15.13	0.6	3	4
19	16.38	2.1071	4.21	12.64	16.86	0.7	5	4
20	17.24	2.3347	4.67	14.01	18.68	0.8	5	4
25	21.55	3.6480	7.30	21.89	29.18	1.3	5	4
30	25.86	5.2531	10.51	31.52	42.02	1.3	5	4
35	30.17	7.1501	14.30	42.90	57.20	2.7	10	4
40	34.48	9.3389	18.68	56.03	74.71	3.8	10	4
45	38.79	11.8195	23.64	70.92	94.56	5	20	4
50	43.10	14.5920	29.18	87.55	116.74	7	20	6
60	51.72	21.0124	42.02	126.07	168.10	10	30	6
70	60.34	28.6003	57.20	171.60	228.80	20	50	6
80	68.97	37.3554	74.71	224.13	298.84	25	60	6
90	77.59	47.2780	94.56	283.67	378.22	30	100	6
100	86.21	58.3679	116.74	350.21	466.94	40	200	9
125	107.76	91.1998	182.40	547.20	729.60	80	300	9
150	129.31	131.3277	262.66	787.97	1,050.62	180	500	9
175	150.86	178.7516	357.50	1,072.51	1,430.01	250	650	12
200	172.41	233.4715	466.94	1,400.83	1,867.77	430	800	12
250	215.52	364.7992	729.60	2,188.80	2,918.39	500	1,600	12
300	258.62	525.3109	1,050.62	3,151.87	4,202.49	600	2,000	12
350	301.72	715.0065	1,430.01	4,290.04	5,720.05	1,500	3,000	12
400	344.83	933.8860	1,867.77	5,603.32	7,471.09	2,000	5,000	12
500	431.03	1,459.1969	2,918.39	8,755.18	11,673.58	4,000	x	16
600	517.24	2,101.2436	4,202.49	12,607.46	16,809.95	6,500	x	16

The information provided above consists of average values for smooth, dry product surfaces without a safety factor. The application, shape of the vacuum cup and product qualities (e.g. surface texture or air permeability) may result in deviations.

## General technical information

### Air volume to be evacuated per meter of tubing, dependent on the internal tubing diameter

Internal tubing diameter [mm]	Cross section [mm <sup>2</sup> ]	Air volume per meter [cm <sup>3</sup> ]	Air volume per meter [l]
2	3.14	3.1	0.003
3	7.07	7.1	0.007
4	12.56	12.6	0.013
6	28.26	28.3	0.028
7	38.47	38.5	0.038
8	50.24	50.2	0.050
9	63.59	63.6	0.064
10	78.50	78.5	0.079
11	94.99	95.0	0.095
12	113.04	113.0	0.113
14	153.86	153.9	0.154
16	200.96	201.0	0.201
18	253.34	254.3	0.254
20	314.00	314.0	0.314
25	490.63	490.6	0.491
32	803.84	803.8	0.804
35	961.63	961.6	0.962
38	1,133.54	1,133.5	1.134
40	1,256.00	1,256.0	1.256

### Required inner diameter D in case of branching of tubing

Number of tubing	Calculation [diameter D x factor]
1	D x 1
2	D x 0.71
4	D x 0.50
8	D x 0.36
16	D x 0.25
32	D x 0.18

#### Example calculation

If tubing with an inner diameter of 40 mm branches out to become 4 tubes, each of these tubes requires an internal diameter of 20 mm.

If tubing with an inner diameter of 40 mm branches out to become 16 tubes, each of these tubes requires an internal diameter of 10 mm.

## Required internal diameter for compressed air tubing lines

Air flow rate [liters/min.]	Tubing length [m]																			
	1	2	3	4	5	6	7	8	9	10	11	12	13	14	15	16	17	18	19	20
100	3	4	4	4	4	5	5	5	5	5	5	5	5	5	5	6	6	6	6	6
200	4	5	5	5	6	6	6	6	6	7	7	7	7	7	7	7	7	7	7	7
300	5	5	6	6	7	7	7	7	7	8	8	8	8	8	8	8	8	9	9	9
400	5	6	7	7	7	8	8	8	8	8	9	9	9	9	9	9	9	9	10	10
500	6	7	7	8	8	8	9	9	9	9	9	9	10	10	10	10	10	10	10	11
600	6	7	8	8	9	9	9	9	10	10	10	10	10	10	11	11	11	11	11	11
700	7	8	8	9	9	9	10	10	10	10	10	11	11	11	11	11	11	12	12	12
800	7	8	9	9	9	10	10	10	11	11	11	11	11	12	12	12	12	12	12	13
900	7	8	9	9	10	10	11	11	11	11	12	12	12	12	12	12	12	13	13	13
1,000	7	9	9	10	10	11	11	11	12	12	12	12	12	13	13	13	13	13	13	14
1,100	8	9	10	10	11	11	11	12	12	12	12	13	13	13	13	13	14	14	14	14
1,200	8	9	10	11	11	11	12	12	12	12	13	13	13	13	14	14	14	14	14	15
1,300	8	9	10	11	11	12	12	12	13	13	13	14	14	14	14	14	14	15	15	15
1,400	8	10	11	11	12	12	12	13	13	13	14	14	14	14	15	15	15	15	15	15
1,500	9	10	11	11	12	12	13	13	13	14	14	14	14	15	15	15	15	15	16	16
1,600	9	10	11	12	12	13	13	13	14	14	14	15	15	15	15	16	16	16	16	16
1,700	9	10	11	12	13	13	13	14	14	14	15	15	15	15	16	16	16	16	16	17
1,800	9	11	12	12	13	13	14	14	14	15	15	15	15	16	16	16	16	17	17	17
1,900	9	11	12	12	13	14	14	14	15	15	15	16	16	16	16	16	17	17	17	17
2,000	10	11	12	13	13	14	14	15	15	15	16	16	16	16	17	17	17	17	17	18
2,100	10	11	12	13	14	14	14	15	15	16	16	16	16	17	17	17	17	18	18	18
2,200	10	11	12	13	14	14	15	15	15	16	16	16	17	17	17	17	18	18	18	18
2,300	10	12	13	13	14	15	15	15	16	16	16	17	17	17	17	18	18	18	18	18
2,400	10	12	13	14	14	15	15	16	16	16	17	17	17	17	18	18	18	18	19	19
2,500	10	12	13	14	14	15	15	16	16	17	17	17	17	18	18	18	18	19	19	19
2,600	11	12	13	14	15	15	16	16	16	17	17	17	18	18	18	18	19	19	19	19
2,700	11	12	13	14	15	15	16	16	17	17	17	18	18	18	19	19	19	19	19	20
2,800	11	13	14	14	15	16	16	17	17	17	18	18	18	19	19	19	19	19	20	20
2,900	11	13	14	15	15	16	16	17	17	18	18	18	18	19	19	19	19	20	20	20
3,000	11	13	14	15	15	16	17	17	17	18	18	18	19	19	19	20	20	20	20	20
3,100	11	13	14	15	16	16	17	17	18	18	18	19	19	19	19	20	20	20	20	21
3,200	11	13	14	15	16	16	17	17	18	18	19	19	19	19	20	20	20	20	21	21
3,300	12	13	14	15	16	17	17	18	18	18	19	19	19	20	20	20	20	21	21	21
3,400	12	13	15	15	16	17	17	18	18	19	19	19	20	20	20	20	21	21	21	21
3,500	12	14	15	16	16	17	18	18	18	19	19	19	20	20	20	21	21	21	21	22
3,600	12	14	15	16	17	17	18	18	19	19	19	20	20	20	21	21	21	21	22	22
3,700	12	14	15	16	17	17	18	18	19	19	20	20	20	21	21	21	21	22	22	22
3,800	12	14	15	16	17	17	18	19	19	19	20	20	20	21	21	21	22	22	22	22
3,900	12	14	15	16	17	18	18	19	19	20	20	20	21	21	21	21	22	22	22	22
4,000	12	14	16	16	17	18	18	19	19	20	20	20	21	21	21	22	22	22	22	23
4,100	13	14	16	17	17	18	19	19	20	20	20	21	21	21	22	22	22	22	23	23
4,200	13	15	16	17	18	18	19	19	20	20	20	21	21	21	22	22	22	23	23	23
4,300	13	15	16	17	18	18	19	19	20	20	21	21	21	22	22	22	23	23	23	23
4,400	13	15	16	17	18	18	19	20	20	20	21	21	21	22	22	22	23	23	23	23
4,500	13	15	16	17	18	19	19	20	20	21	21	21	22	22	22	23	23	23	23	24
4,600	13	15	16	17	18	19	19	20	20	21	21	22	22	22	22	23	23	23	24	24
4,700	13	15	16	17	18	19	20	20	21	21	21	22	22	22	23	23	23	24	24	24
4,800	13	15	17	18	18	19	20	20	21	21	22	22	22	23	23	23	23	24	24	24
4,900	13	15	17	18	19	19	20	20	21	21	22	22	22	23	23	23	24	24	24	24
5,000	14	16	17	18	19	19	20	21	21	21	22	22	23	23	23	24	24	24	24	25
5,500	14	16	17	18	19	20	21	21	22	22	23	23	23	24	24	24	25	25	25	26
6,000	14	17	18	19	20	21	21	22	22	23	23	24	24	25	25	25	26	26	26	26
6,500	15	17	19	20	21	21	22	23	23	24	24	25	25	25	26	26	26	27	27	27
7,000	15	18	19	20	21	22	23	23	24	24	25	25	26	26	26	27	27	27	28	28
7,500	16	18	20	21	22	22	23	24	24	25	25	26	26	27	27	27	28	28	28	29
8,000	16	18	20	21	22	23	24	24	25	26	26	26	27	27	28	28	28	29	29	29
8,500	16	19	21	22	23	24	24	25	26	26	27	27	28	28	28	29	29	29	30	30
9,000	17	19	21	22	23	24	25	25	26	27	27	28	28	29	29	29	30	30	30	31
9,500	17	20	21	23	24	25	25	26	27	27	28	28	29	29	29	30	30	31	31	31
10,000	17	20	22	23	24	25	26	27	27	28	28	29	29	30	30	30	31	31	32	32

Values at an operating pressure of 6 bar and a pressure drop of 0.5 bar  
 Design example: At a required air flow rate of 2,000 liters per minute and a tubing length of 10 m, the required internal diameter is 15 mm.

# Questionnaire F 350 | FIPA Gripper assembly

To:

**FIPA GmbH** | Germany  
 Fax +49 89 962489-11 | info@fipa.com

**FIPA Inc.** | USA  
 Fax +1 919 5730871 | sales.us@fipa.com

**FIPA Ltd.** | Thailand  
 Fax +66 2 294-4149 | sales.th@fipa.com

From:

Company: \_\_\_\_\_  
 Name: \_\_\_\_\_  
 Street: \_\_\_\_\_  
 City/Country/Zipcode: \_\_\_\_\_  
 Phone/Fax: \_\_\_\_\_  
 Email: \_\_\_\_\_  
 Industry: \_\_\_\_\_

Please complete the following questionnaire carefully so that we can select the optimal product for you.

**Please help us to offer you the best service:**

- > Please send us 3D-CAD data of your part, tool and sprue (in STEP or IGES file format)
- > If you have no 3D-CAD data available, please send us 2D drawings with measure details
- > If possible, please send us a photo or a sample
- > Please send us drawings of the robot adapter (2D, AutoCAD or PDF)

We will contact you if important information is missing. Please note, only if all information is completely available, we can ensure the optimal choice for you.

**Handling**

**1. Robot type**

- Linear
- Swivel axes \_\_\_\_\_ No. of axes
- Model name \_\_\_\_\_

- Robot entry  Top  Side
- Robot wrist flip  Yes  No
- Robot wrist rotation  Yes  No
- Robot payload capacity \_\_\_\_\_ kg

- Existing robot side quick-changer  Yes  No
- Manufacturer/Type: \_\_\_\_\_

**2. Media supply**

- Number of vacuum circuits \_\_\_\_\_
- Number of compressed air circuits \_\_\_\_\_ bar (\_\_\_\_\_ psi)
- Hose diameter \_\_\_\_\_ mm
- OD  ID
- Hose length \_\_\_\_\_ mm

**3. Vacuum generation**

- By FIPA
- By the customer
- Number of ejectors \_\_\_\_\_ Type \_\_\_\_\_
- Pump
- Side channel blower
- Other: \_\_\_\_\_

**4. Field bus connection**

- ASI
- Profibus
- Other: \_\_\_\_\_

**5. Electric gripper system interface – continued on page 2**

Sensor type  PNP  NPN

**Electrical connector type (robot side):**

- M8 connector (3 pins) (female connector at robot)
- M12 connector (4 pins) (female connector at robot)
- SUB-D connector (25 pins) (female connector at robot, please attach specification incl. pin-out!)

## 5. Electric gripper system interface – continued from page 1

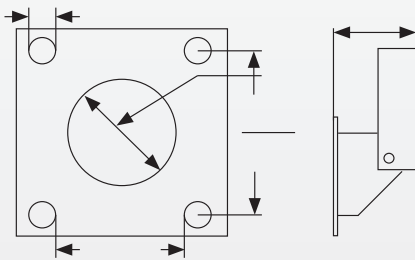
Electrical contacts at quick-change system (please attach specification incl. pin-out!)

Other (please specify) \_\_\_\_\_

In order to keep the wiring simple and to save digital inputs at the controller unit, sensors can be AND-combined to supply a common output signal. This common output signal will be positive as long as all sensors supply a positive output signal. Please specify which sensors shall be AND-combined (e.g. "all part detection sensors"): \_\_\_\_\_

### Gripper Mounting

#### 1. Sketch – robot adapter plate



#### 2. Robot adapter plate

Size \_\_\_\_\_ mm

Spring loaded  Lift \_\_\_\_\_ mm

Type: \_\_\_\_\_

Name: \_\_\_\_\_

\_\_\_\_\_

#### 3. Gripper base plate

Size \_\_\_\_\_ mm

Spring loaded  Lift \_\_\_\_\_ mm

Type: \_\_\_\_\_

Name: \_\_\_\_\_

\_\_\_\_\_

4. Comments: \_\_\_\_\_

### Tool

1. Tool opening size \_\_\_\_\_ mm

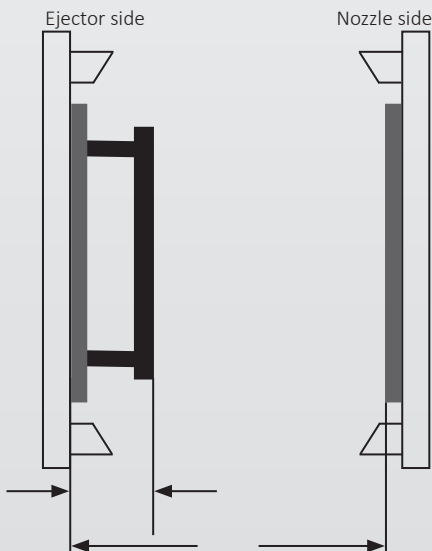
2. Robot space requirement in x-direction \_\_\_\_\_ mm

Robot space requirement in y-direction \_\_\_\_\_ mm

Robot space requirement in z-direction \_\_\_\_\_ mm

### Die-casting machine

#### 1. Sketch



Tie-bar thickness: \_\_\_\_\_ mm

Tie-bar spacing - horizontal: \_\_\_\_\_ mm

Tie-bar spacing - vertical: \_\_\_\_\_ mm

Typ of mold:  Hot runner  3-plate mold  
 Vertical corepull  Subgated  
 Other explain below

\_\_\_\_\_  
 \_\_\_\_\_

Ejection:  Moving half  Fixed half

Do parts fall or sag during or after ejection?  Yes  No

Is any force, twisting, bending, lifting required to remove parts?

Yes  No

Double stroke?  Yes  No

Description \_\_\_\_\_

\_\_\_\_\_





# Questionnaire F 400 | Customized grippers

To:

**FIPA GmbH** | Germany  
Fax +49 89 962489-11 | info@fipa.com

**FIPA Inc.** | USA  
Fax +1 919 5730871 | sales.us@fipa.com

**FIPA Ltd.** | Thailand  
Fax +66 2 294-4149 | sales.th@fipa.com

From:

Company: \_\_\_\_\_  
Name: \_\_\_\_\_  
Street: \_\_\_\_\_  
City/Country/Zipcode: \_\_\_\_\_  
Phone/Fax: \_\_\_\_\_  
Email: \_\_\_\_\_  
Industry: \_\_\_\_\_

Please complete the following questionnaire carefully so that we can select the optimal product for you.

## Robot-gripper interface

1. Robot type: \_\_\_\_\_

### 2. Handling type

- Linear
- Swivel axes \_\_\_\_\_ No. of axes
- Delta robot (3-leg); FlexPicker
- Model name: \_\_\_\_\_
- \_\_\_\_\_
- Other \_\_\_\_\_

### 2. Media supply

- Number of vacuum circuits \_\_\_\_\_
- Number of compressed air circuits \_\_\_\_\_
- \_\_\_\_\_ bar ( \_\_\_\_\_ psi)
- Hose diameter \_\_\_\_\_ mm
- Hose length \_\_\_\_\_ mm

### 3. Vacuum generation

- by FIPA
- by the customer
- Number of ejectors \_\_\_\_\_
- Model name: \_\_\_\_\_
- Pump
- Model name: \_\_\_\_\_
- Side channel blower
- Model name: \_\_\_\_\_
- Other: \_\_\_\_\_

4. Comments: \_\_\_\_\_

## Application

1. Type of product to be handled: \_\_\_\_\_

- Product weight: \_\_\_\_\_ g
- Product dimensions (LxWxH): \_\_\_\_\_ mm
- CAD available:  yes  no

### 2. Item picked from

- Conveyor belt
- Pallet
- Container
- Tray
- Fixture
- Other

### 3. Item placed on

- Conveyor belt
- Pallet
- Container
- Tray
- Fixture
- Other

### 4. Cycle time

- Pick-up \_\_\_\_\_ seconds
- Placement \_\_\_\_\_ seconds



## 5. Description of application

---

---

---

### Gripper Design

Integrated vacuum generation required  Yes  No

Media feed-through required:  Yes  No

Interference contours (e.g. gripping space between products): \_\_\_\_\_  
\_\_\_\_\_  
\_\_\_\_\_

### Labelling

---

### Colouring

---

### Special cleaning regulations

---

### Description of process

---

---

---

### Current solution

---

---

---

---

---

### Improvements required

---

---

---

---

# Questionnaire F 200 | Cutting Test

To:

**FIPA GmbH** | Germany  
Fax +49 89 962489-11 | info@fipa.com

**FIPA Inc.** | USA  
Fax +1 919 5730871 | sales.us@fipa.com

**FIPA Ltd.** | Thailand  
Fax +66 2 294-4149 | sales.th@fipa.com

From:

Company: \_\_\_\_\_  
Name: \_\_\_\_\_  
Street: \_\_\_\_\_  
City/Country/Zipcode: \_\_\_\_\_  
Phone/Fax: \_\_\_\_\_  
Email: \_\_\_\_\_  
Industry: \_\_\_\_\_

Please answer the following questions carefully, so we can make the best cutting tests for you. Please note that you can type in the document; printing out is not necessary. Please email or fax this form back to us.

## 1. Please check appropriate box

FIPA customer?  Yes  No  Urgent  
 Please call

## 2. Material

Copper specification (e.g. CuZn) \_\_\_\_\_ annealed

Steel specification (e.g. St 37) \_\_\_\_\_ hardened

Other specification \_\_\_\_\_

Plastic specification (e.g. PA, PP, POM) \_\_\_\_\_

Glass fibre reinforced \_\_\_\_\_ %

Temperature of workpiece when cut \_\_\_\_\_ °C \_\_\_\_\_ ° F)

## 3. Dimensions

diam. \_\_\_\_\_ mm, \_\_\_\_\_ x \_\_\_\_\_ mm

Sample of workpiece attached

# Questionnaire F 100 | Vacuum Technology

To:

**FIPA GmbH** | Germany  
 Fax +49 89 962489-11 | info@fipa.com

**FIPA Inc.** | USA  
 Fax +1 919 5730871 | sales.us@fipa.com

**FIPA Ltd.** | Thailand  
 Fax +66 2 294-4149 | sales.th@fipa.com

From:

Company: \_\_\_\_\_  
 Name: \_\_\_\_\_  
 Street: \_\_\_\_\_  
 City/Country/Zipcode: \_\_\_\_\_  
 Phone/Fax: \_\_\_\_\_  
 Email: \_\_\_\_\_  
 Industry: \_\_\_\_\_




Please answer the following questions carefully so we can select the vacuum unit best suited for your purpose.  
 Please note that you can type in the document; printing out is not necessary. Please email or fax this form back to us.

**1. Please quote for the following application:**

\_\_\_\_\_

**2. What kind of parts are you handling?**

\_\_\_\_\_

3. The objects are	4. Dimensions, Weight	5. Lifting direction	6. Surface	7. Temperature
<input type="checkbox"/> Round <input type="checkbox"/> Oval <input type="checkbox"/> Square <input type="checkbox"/> Rectangular <input type="checkbox"/> Curved <input type="checkbox"/> Unstable <b>3a. Material</b> ..... .....	Length _____ mm Width _____ mm Height _____ mm Diam. _____ mm Weight _____ g/kg	<input type="checkbox"/>  <input type="checkbox"/>  <input type="checkbox"/> 	<input type="checkbox"/> Smooth <input type="checkbox"/> Rough <input type="checkbox"/> Textured <input type="checkbox"/> Rippled <input type="checkbox"/> Oily <input type="checkbox"/> Scaled <input type="checkbox"/> Wet <input type="checkbox"/> Dry <input type="checkbox"/> Porous	Briefly _____ °C _____ °F) Continuously + _____ °C _____ °F) - _____ °C _____ °F) <b>8. Use</b> <input type="checkbox"/> Indoor <input type="checkbox"/> Outdoor

**9. Vacuum generating:**

Vacuum pump  
  Vacuum ejector  
  existing  
  not existing  
 Power capacity \_\_\_\_\_

**Vacuum Cups**

**16. In use?**

No  
  Yes, following type \_\_\_\_\_

**17. Annual requirement? approx. \_\_\_\_\_ pieces**

**10. Duty cycle** \_\_\_\_\_

**11. Distance** \_\_\_\_\_

**12. Suck in time** \_\_\_\_\_

**13. Positioning accuracy** \_\_\_\_\_

**14. Acceleration** \_\_\_\_\_

**15. Environment** \_\_\_\_\_

FIPA will gladly perform individual handling tests free of charge on samples of the objects to be carried. Alternatively please feel free to request sample cups for your own tests.

# Questionnaire F 150 | Vacuum pumps

To:

**FIPA GmbH** | Germany  
 Fax +49 89 962489-11 | info@fipa.com

**FIPA Inc.** | USA  
 Fax +1 919 5730871 | sales.us@fipa.com

**FIPA Ltd.** | Thailand  
 Fax +66 2 294-4149 | sales.th@fipa.com

From:

Company: \_\_\_\_\_  
 Name: \_\_\_\_\_  
 Street: \_\_\_\_\_  
 City/Country/Zipcode: \_\_\_\_\_  
 Phone/Fax: \_\_\_\_\_  
 Email: \_\_\_\_\_  
 Industry: \_\_\_\_\_

Please answer the following questions carefully so we can select the vacuum pump best suited for your purpose. Please note that you can type in the document; printing out is not necessary. Please email or fax this form back to us.

**1. Please specify the branch of industry in which the pump will be used**

- Packaging     Food & beverage     Glass  
 Graphic arts     Wood-working     Plastic  
 Marble/Stone     Metal/Sheet metal  
 \_\_\_\_\_

**2. What will the pump be used for?**

- Handling     Degasification of silicon mixture  
 Vacuum clamping     Degasification of synthetic resin  
 Degasification of laminated materials  
 Evacuating tanks: Liters: \_\_\_\_\_ / Time: \_\_\_\_\_

**3. Location of pump**

- Indoor     Outdoor     Mobile  
 Temperature range: \_\_\_\_\_ to \_\_\_\_\_ °C    \_\_\_\_\_ to \_\_\_\_\_ °F)  
 Relative humidity (e.g. tropical areas) \_\_\_\_\_ %

**4. Medium to be sucked**

- Dry air     Humid air     Oily air     Water vapor  
 Water     Grinding sludge  
 Aggressive gases (which): \_\_\_\_\_  
 Temperature of medium: \_\_\_\_\_ °C ( \_\_\_\_\_ °F)

**5. Suction capacity** \_\_\_\_\_ m<sup>3</sup>/h or \_\_\_\_\_ NL/min

**6. Vacuum level (in continuous operation):**

\_\_\_\_\_ mbar \_\_\_\_\_ inHg) or \_\_\_\_\_ % vacuum

**7. Duty cycle**

- Continuous operation  8 - 10 h/day     16 - 18 h/day  
 Intermittent operation:  
 Operating interval of pump? \_\_\_\_\_

**8. Back diffusion**

Must leakage of the medium be prevented when the pump is switched off? (Check valve for oil-lubricated vacuum pump)    Yes  No

**9. Maintenance of vacuum**

Must the vacuum be maintained for a certain period (e.g. for putting down loads in case of power failure)?  
 Yes     No

**10. Vacuum tank**

- Available ( \_\_\_\_\_ liters)     Desired ( \_\_\_\_\_ liters)  
 Capacity suggested by FIPA

**11. Maintenance**

- Is the pump accessible for maintenance?     Yes     No  
 Is sufficient cooling available for the pump?     Yes     No  
 Is remote monitoring of pump condition possible? (e.g. oil level)  
 Yes     No

**12. General information if new pump is desired**

- Only one pump is required  
 Number of pumps needed per year: \_\_\_\_\_  
 Delivery desired within: \_\_\_\_\_  
 Replacement

**13. In case of replacement please fill out**

- Brand until now \_\_\_\_\_     Suction capacity \_\_\_\_\_  
 Vacuum level \_\_\_\_\_     Electricity supply \_\_\_\_\_

Item no.	Page	Item no.	Page	Item no.	Page
20.007	376	21.008.094.*	150	23.018.237.*	126
20.016.145.*	141	21.009.002.*	134, 150	23.019.119.*	147
20.016.146.*	141	21.009.148.*	128	23.020.124.*	132
20.021.147.*	141	21.010.119.*	150	23.020.238.*	126
20.022	378	21.012.135.*	134, 150	23.021.264.*	138
20.023	379	21.012.149.*	128	23.022.028.*	147
20.026.148.*	141	21.014.007.*	150	23.022.239.*	126
20.037.149.*	141	21.014.053.*	134	23.025.137.*	147
20.037.150.*	141	21.014.133.*	150	23.025.240.*	126
20.040	377	21.014.150.*	128	23.026.265.*	138
20.041	377	21.016.175.*	141	23.030.125.*	132
20.053.151.*	141	21.018.010.*	134, 150	23.033.039.*	147
20.053.152.*	141	21.018.151.*	128	23.033.241.*	126
20.053.153.*	141	21.020.016.*	134, 150	23.037.266.*	138
20.077.154.*	141	21.020.152.*	128	23.043.096.*	132, 147
20.077.155.*	141	21.021.176.*	141	23.043.242.*	126
20.088.123.*	150	21.025.060.*	150	23.053.033.*	147
20.088.124.*	150	21.025.153.*	128	23.053.243.*	126
20.501	410	21.026.177.*	141	23.053.267.*	138
20.502	410	21.032.075.*	134, 150	23.063.244.*	126
20.503	410	21.032.154.*	128	23.075.151.*	147
20.504	410	21.037.177.*	141	23.115.274.*	138
20.507	410	21.042.155.*	128	23.160.273.*	138
20.508	410	21.043.049.*	134, 150	30.000	437
20.509	410	21.052.156.*	128	30.001	437
20.511	380	21.053.178.*	141	30.002	437
20.514	382	21.060.051.*	134	30.002-G	437
20.515	382	21.062.055.*	150	30.003	437
20.518	410	21.062.157.*	128	30.003-G	437
20.519	410	22.016.253.*	138	30.004	437
20.520	383	22.016.254.*	138	30.005	437
20.522	380	22.021.255.*	138	30.006	437
20.523	380	22.026.256.*	138	30.006-G	437
20.524	420	22.037.257.*	138	30.007	437
20.525	420	22.037.258.*	138	30.007-G	437
20.525/NPN	420	22.053.259.*	138	30.008	437
20.526	420	22.053.260.*	138	30.008-G	437
20.527	411	22.053.261.*	138	30.009	437
20.528	411	22.075.262.*	138	30.010	437
20.530	422	22.075.263.*	138	30.011	437
20.531	422	22.088.158.*	147	30.011-G	437
20.535	38	22.088.159.*	147	30.050	439
20.536	38	22.115.266.*	138	30.051	439
20.537	38	22.115.267.*	138	30.052	439
20.538	38	22.160.264.*	138	30.053	439
20.540	418	22.160.265.*	138	30.054	439
20.541	418	23.005.178.*	132	30.055	439
20.542	418	23.005.181.*	147	30.056	439
20.550	410	23.008.166.*	132	30.075	439
20.570	410	23.011.008.*	132, 147	30.076	439
21.004.083.*	150	23.011.234.*	126	30.100	440
21.005.057.*	134, 150	23.013.120.*	147	30.101	440
21.005.146.*	128	23.014.235.*	126	30.102	440
21.006.087.*	150	23.015.122.*	132	30.102-G	440
21.006.093.*	150	23.016.016.*	132, 147	30.103	440
21.007.089.*	134	23.016.236.*	126	30.103-G	440
21.007.147.*	128	23.016.263.*	138	30.104	440

# Item numbers index

Item no.	Page	Item no.	Page	Item no.	Page
30.105	440	30.308	442	30.599	446
30.106	440	30.332	443	30.600	446
30.106-G	440	30.333	443	30.601	446
30.107	440	30.334	443	30.602	446
30.107-G	440	30.335	443	30.603	446
30.108	440	30.336	443	30.604	446
30.108-G	440	30.337	443	30.605	446
30.109	440	30.338	443	30.606	446
30.109-G	440	30.339	443	30.607	446
30.110	440	30.340	443	30.608	446
30.110-G	440	30.341	443	30.649	447
30.111	440	30.342	443	30.650	447
30.111-G	440	30.343	443	30.651	447
30.170	441	30.390	443	30.652	447
30.171	441	30.391	443	30.653	447
30.172	441	30.392	443	30.654	447
30.172-G	441	30.399	444	30.655	447
30.173	441	30.400	444	30.656	447
30.173-G	441	30.403	445	30.657	447
30.174	441	30.404	445	30.658	447
30.175	441	30.405	445	30.674	448
30.176	441	30.406	445	30.675	448
30.176-G	441	30.407	445	30.676	448
30.177	441	30.408	445	30.677	448
30.177-G	441	30.409	445	30.678	448
30.178	441	30.410	445	30.679	448
30.178-G	441	30.411	445	30.680	448
30.179	441	30.412	445	30.681	448
30.179-G	441	30.413	445	30.682	448
30.180	441	30.431	444	30.683	448
30.180-G	441	30.432	444	30.761	438
30.181	441	30.433	444	30.762	438
30.181-G	441	30.440	444	30.763	438
30.200	438	30.441	444	30.764	438
30.201	438	30.490	447	30.765	438
30.202	438	30.491	447	30.774	441
30.203	438	30.492	447	30.775	441
30.204	438	30.493	447	30.776	441
30.205	438	30.494	447	30.777	441
30.206	438	30.495	447	30.778	441
30.207	438	30.496	447	30.900	449
30.208	438	30.497	447	30.901	449
30.209	438	30.498	447	30.902	449
30.223	439	30.499	447	30.903	449
30.224	439	30.500	447	30.904	449
30.225	439	30.501	447	30.905	449
30.270	442	30.518	445	30.906	449
30.271	442	30.519	445	30.906-G	449
30.272	442	30.520	445	30.907	449
30.300	442	30.521	445	30.908	449
30.301	442	30.522	445	30.910-G	449
30.302	442	30.523	445	30.914	450
30.303	442	30.524	445	30.915	450
30.304	442	30.525	445	30.916	450
30.305	442	30.527	445	30.917	450
30.306	442	30.528	445	30.921	449
30.307	442	30.529	445	30.922	449

## Item numbers index

Item no.	Page	Item no.	Page	Item no.	Page
30.923	449	33.105	362	61.213	431
30.924	449	33.120	362	61.214	431
30.925	449	36.003	371	62.062	432
30.926	449	36.004-24VDC	369	62.063	432
30.927	449	36.004-230VAC	369	63.036	366
30.928	449	36.060	367	63.037	366
30.932	450	36.061	367	63.038	366
30.933	450	36.210	373	63.055	366
30.934	450	36.211	373	65.102A	392
30.935	450	36.515	373	65.111	392
30.949	452	36.520	373	65.120	392
30.950	452	36.525	373	65.130	392
30.951	452	50.120	157	65.510	270
30.952	452	50.123	157	65.510-PK	276
30.953	452	50.124	157	65.520	270
30.954	452	50.149	159	65.520-PK	276
30.955	452	50.150	159	65.530	270
30.956	452	50.152	159	65.530-PK	276
30.957	452	50.153	159	65.540	270
30.958	452	50.158	159	65.540-PK	276
30.963	451	50.160	159	71.000	364
30.964	451	50.162	159	71.001	364
30.965	451	50.164	159	71.002	364
30.966	451	50.166	159	71.003	364
30.967	451	50.230	159	71.004	364
30.968	451	55.000	334	71.035	365
30.969	451	55.001	334	71.036	365
30.970	451	55.002	334	71.037	365
30.976	450	55.004	334	71.038	365
30.977	450	55.005	332	71.039	365
30.978	450	61.056	429	71.070	364
30.979	450	61.057	429	71.071	364
30.980	450	61.058	429	72.000	399
30.981	450	61.059	429	72.001	399
30.982	450	61.060	429	72.002	399
30.993	452	61.061	429	72.003	399
30.994	452	61.062	429	72.007	399
30.995	452	61.063	430	72.008	399
30.996	452	61.064	430	72.009	399
30.997	452	61.065	430	72.015	400
30.998	452	61.066	430	72.016	400
30.999	452	61.067	430	72.017	400
31.000	452	61.068	430	72.018	400
31.001	452	61.069	430	72.019	400
31.002	452	61.070	430	72.020	400
31.025	451	61.071	430	72.021	400
31.026	451	61.072	430	72.022	400
32.577	361	61.073	430	72.023	400
32.578	361	61.083	433	72.024	400
32.579	361	61.090	428	72.025	400
32.580	361	61.091	428	72.028	398
32.581	361	61.092	428	72.029	398
32.582	360	61.093	428	72.030	398
32.583	360	61.094	428	72.031	398
32.584	360	61.096	428	72.032	398
32.585	360	61.211	431	72.033	398
32.586	360	61.212	431	72.045	399

# Item numbers index

Item no.	Page	Item no.	Page	Item no.	Page
77.000	455	112.040.071.*	144	270.565	453
77.007	455	112.045.077.*	144	270.566	453
77.008	455	112.060.091.*	144	270.567	455
77.009	455	112.085.102.*	144	270.576	455
77.010	455	132.4x2.031.*	136	270.577	455
78.051	457	132.4x2.079.*	130	270.579	456
78.052	457	132.7x4.034.*	136	ASR48-A	42
78.053	457	132.7x4.080.*	130	ASR48-A-ME	45
78.054	457	132.15x5.067.*	136	ASR48-B	42
78.055	457	132.15x5.081.*	130	ASR48-B-ME	45
78.056	457	132.18x6.082.*	130	ASR60-A	42
79.000	435	132.24x8.066.*	136	ASR60-A-ME	45
79.001	435	132.24x8.083.*	130	ASR60-B	42
79.002	435	132.30x10.084.*	130	ASR60-B-ME	45
79.003	435	132.36x12.068.*	136	EBA.08H.2-A	390
79.004	435	132.45x15.064.*	136	EIL.05H.1	388
79.005	435	132.45x15.085.*	130	EIL.05H.2	388
79.006	435	132.60x20.086.*	130	EIL.05L.1	388
79.007	435	132.75x25.087.*	130	EIL.05L.2	388
79.008	435	270.059	453	EIL.07H.1	388
79.009	435	270.078	455	EIL.07H.2	388
79.010	435	270.079	455	EIL.07L.1	388
79.011	435	270.088	455	EIL.07L.2	388
79.012	435	270.089	456	EMA.90x14	394
79.013	435	270.090	455	GR01.001.2000	52
79.014	435	270.107	454	GR01.002.2000	52
79.015	436	270.108	454	GR01.003.2000	52
79.016	436	270.120	453	GR01.004.2000	52
79.017	436	270.121	453	GR01.006.2000	52
79.018	436	270.131	454	GR01.007.2000	52
79.019	436	270.181	454	GR01.008.2000	54
79.020	436	270.182.O	456	GR01.009.2000	54
79.023	436	270.227	454	GR01.010	57
79.024	436	270.228	456	GR01.011	57
102.005.496.*	124	270.245	455	GR01.012	57
102.008.497.*	124	270.279	454	GR01.013	57
102.010.498.*	124	270.280	454	GR01.015	57
102.015.499.*	124	270.302	455	GR01.016	57
102.020.500.*	124	270.303	455	GR01.017	57
102.025.501.*	124	270.304	455	GR01.018	57
102.030.502.*	124	270.306	456	GR01.020A	64
102.040.503.*	124	270.307	456	GR01.021	64
102.050.504.*	124	270.308	456	GR01.022	64
102.060.505.*	124	270.320	454	GR01.023	65
112.004.001.*	144	270.334	455	GR01.024	65
112.005.002.*	144	270.343	456	GR01.025	65
112.006.003.*	144	270.395	457	GR01.026	64
112.008.007.*	144	270.396	457	GR01.027	64
112.010.011.*	144	270.420	453	GR01.030	66
112.012.015.*	144	270.423	455	GR01.031	66
112.015.022.*	144	270.518	457	GR01.032	66
112.018.024.*	144	270.519	457	GR01.035	75
112.020.031.*	144	270.560	455	GR01.036	75
112.022.037.*	144	270.561	453	GR01.037	75
112.025.042.*	144	270.562	453	GR01.040	66
112.030.052.*	144	270.563	453	GR01.041	66
112.035.060.*	144	270.564	453	GR01.042	66



# Item numbers index

Item no.	Page	Item no.	Page	Item no.	Page
GR01.046	74	GR02.010A	79	GR02.210	88
GR01.047	74	GR02.011A	79	GR02.211	88
GR01.048	74	GR02.013A	79	GR02.212	88
GR01.050	67	GR02.014	81	GR02.220	87
GR01.051	67	GR02.015	81	GR02.221	87
GR01.052	67	GR02.016	79	GR02.222	87
GR01.053	67	GR02.020	83	GR02.227	251
GR01.054	73	GR02.020-KG	85	GR02.228	251
GR01.055	73	GR02.022	83	GR02.229	251
GR01.056	73	GR02.022-KG	85	GR02.230	86
GR01.060	68	GR02.023	83	GR02.231	86
GR01.061	68	GR02.023-KG	85	GR02.232	86, 251
GR01.062	70	GR02.024	83	GR02.233	251
GR01.063	69	GR02.026	82	GR02.240	107
GR01.064	69	GR02.027	82	GR02.241	107
GR01.065	76	GR02.028	82	GR02.242	107
GR01.066	76	GR02.029	82	GR02.250	107
GR01.069	62	GR02.030A	91	GR02.251	107
GR01.070	62	GR02.031A	91	GR02.252	107
GR01.071	62	GR02.035	80	GR02.260	107
GR01.080	62	GR02.036	80	GR02.261	107
GR01.081	62	GR02.037	80	GR02.262	107
GR01.082	62	GR02.038	80	GR02.270	108
GR01.083	62	GR02.040	92	GR02.273	108
GR01.084	62	GR02.041	92	GR02.280	250
GR01.085	62	GR02.043	92	GR02.281	250
GR01.086	62	GR02.050	93	GR02.282	250
GR01.088A	58	GR02.051	93	GR02.283	250
GR01.089A	58	GR02.053	93	GR02.284	250
GR01.090A	58	GR02.060	94	GR02.285	250
GR01.091A	58	GR02.061	94	GR02.286	250
GR01.092A	58	GR02.063	94	GR02.287	250
GR01.093A	58	GR02.070A	105	GR02.300	99
GR01.094A	58	GR02.071A	105	GR03.001A	112
GR01.095A	58	GR02.072A	105	GR03.002A	112
GR01.096A	58	GR02.083	105	GR03.003A	112
GR01.097A	58	GR02.084	105	GR03.010A	112
GR01.098A	58	GR02.085	105	GR03.011A	112
GR01.100	71	GR02.100	105	GR03.012A	112
GR01.101A	58	GR02.101A	105	GR03.036	112
GR01.102A	58	GR02.102A	105	GR03.037	112
GR01.103	60	GR02.104	105	GR03.038	112
GR01.104	60	GR02.105	105	GR03.039	112
GR01.105	60	GR02.106	105	GR03.040A	114
GR01.110	77	GR02.107	105	GR03.041A	114
GR01.111	77	GR02.140	106	GR03.042A	114
GR01.112	77	GR02.141	106	GR03.050A	114
GR01.120	72	GR02.142	106	GR03.051A	114
GR01.121	72	GR02.153	106	GR03.052A	114
GR01.122	72	GR02.154	106	GR03.070A	114
GR01.123	72	GR02.155	106	GR03.071A	114
GR01.150	64	GR02.170	106	GR03.072A	114
GR02.001A	78	GR02.171	106	GR03.073A	114
GR02.003A	78	GR02.172	106	GR03.074A	114
GR02.004	78	GR02.180	106	GR03.075A	114
GR02.005	78	GR02.181	106	GR03.080A	117
GR02.006	84	GR02.182	106	GR03.080T	118

# Item numbers index

Item no.	Page	Item no.	Page	Item no.	Page
GR03.081A	117	GR04.041	202	GR04.122-32	209
GR03.081T	118	GR04.044	200	GR04.122-32-1	214
GR03.090A	117	GR04.044-H	206	GR04.122-32-4	214
GR03.090T	118	GR04.045	202	GR04.122-32S	209
GR03.091A	117	GR04.046	206	GR04.122-40	209
GR03.091T	118	GR04.047	205	GR04.122-40-1	214
GR03.114	117	GR04.060	164	GR04.122-40-4	214
GR03.114T	118	GR04.080	165	GR04.122-40S	209
GR03.115	117	GR04.090	166	GR04.123-10	233
GR03.115T	118	GR04.090-1N	166	GR04.123-10-1	236
GR03.120B	119	GR04.090-1P	166	GR04.123-16	233
GR03.121B	119	GR04.090-3P	166	GR04.123-16-1	236
GR03.130B	119	GR04.090H	166	GR04.123-20	233
GR03.131B	119	GR04.090H-2N	166	GR04.123-20-1	236
GR03.152B	119	GR04.090H-2P	166	GR04.123-25	233
GR03.153B	119	GR04.100	170	GR04.123-25-1	236
GR03.160	110	GR04.100-1N	170	GR04.123-32	233
GR03.161	110	GR04.100-1P	170	GR04.123-32-1	236
GR03.162	110	GR04.100-2N	170	GR04.125-16	227
GR03.163	110	GR04.100-2P	170	GR04.125-16L	230
GR03.164	110	GR04.100-3N	170	GR04.125-25	227
GR03.165	110	GR04.100-3P	170	GR04.125-25L	230
GR03.202	111	GR04.100B	170	GR04.125-32	227
GR03.203	111	GR04.100H	170	GR04.125-32L	230
GR03.204	111	GR04.100H-2N	170	GR04.125-40	227
GR03.240	115	GR04.100H-2P	170	GR04.125-40L	230
GR03.241	115	GR04.100HNBR	170	GR04.125-50	227
GR03.242	115	GR04.100S	170	GR04.125-50L	230
GR03.250	115	GR04.100U	170	GR04.125-60	227
GR03.251	115	GR04.100XW	170	GR04.125-80	227
GR03.252	115	GR04.102	177	GR04.130	178
GR03.260	115	GR04.110	196	GR04.130-1N	178
GR03.261	115	GR04.110A	194	GR04.130-1P	178
GR03.262	115	GR04.110A/NPN	194	GR04.130B	178
GR03.1010	154	GR04.110B	194	GR04.130B-1N	178
GR03.1010T	155	GR04.111A	193	GR04.130B-1P	178
GR03.1025	154	GR04.111A/NPN	193	GR04.130H	178
GR03.1025T	155	GR04.121-10	237	GR04.130U	178
GR03.1210T	155	GR04.121-16	237	GR04.130XW-3P	178
GR03.1225T	155	GR04.121-20	237	GR04.140A	188
GR03.1420	154	GR04.121-25	237	GR04.140B	188
GR03.1435	154	GR04.122-10	209	GR04.140B/NPN	188
GR03.1620T	155	GR04.122-10-1	214	GR04.193N	408
GR03.1635T	155	GR04.122-10-4	214	GR04.193P	408
GR03.2025	154	GR04.122-10S	209	GR04.196A	198
GR03.2025T	155	GR04.122-16	209	GR04.197A	197
GR03.2050	154	GR04.122-16-1	214	GR04.197B	197
GR03.2050T	155	GR04.122-16-4	214	GR04.198	404
GR03.2540T	155	GR04.122-16S	209	GR04.198/NPN	404
GR03.2580T	155	GR04.122-20	209	GR04.199	404
GR04.034	200	GR04.122-20-1	214	GR04.199/NPN	404
GR04.034-H	206	GR04.122-20-4	214	GR04.202N	404
GR04.035	202	GR04.122-20S	209	GR04.202P	404
GR04.036	206	GR04.122-25	209	GR04.203N	404
GR04.037	205	GR04.122-25-1	214	GR04.203P	404
GR04.038S	204	GR04.122-25-4	214	GR04.280N	404
GR04.040	200	GR04.122-25S	209	GR04.280P	404

Item no.	Page	Item no.	Page	Item no.	Page
GR04.510	219	GR04.F01-45	242	GR05.101	32
GR04.510-1	219	GR04.F02-50	242	GR05.102	32
GR04.510-2	219	GR04.F02-55	242	GR05.121	39
GR04.516	219	GR04.F02-60	242	GR05.122	40
GR04.516-1	219	GR04.F02-65	242	GR06.001	89
GR04.516-2	219	GR04.F02-70	242	GR06.002A	89
GR04.520	219	GR04.F02-75	242	GR06.003	89
GR04.520-1	219	GR04.F02-80	242	GR06.020	90, 208
GR04.520-2	219	GR04.F02-85	242	GR06.021A	90, 208
GR04.525	223	GR04.F02-90	242	GR06.022	90, 208
GR04.525-1	223	GR04.F02-95	242	GR06.034	249
GR04.525-2	223	GR04.F02-100	242	GR06.035	249
GR04.532	223	GR04.F208	245	GR06.036	249
GR04.532-1	223	GR04.F208-SI	245	GR06.037	249
GR04.532-2	223	GR04.F210	245	GR06.045S	417
GR04.600-12	216	GR04.F210-SI	245	GR06.050	240
GR04.600-16	216	GR04.F212	245	GR06.050S-M8	416
GR04.600-20	216	GR04.F212-SI	245	GR06.050S-M12	416
GR04.600-26	216	GR04.F214	245	GR06.051	240
GR04.600-32	216	GR04.F214-SI	245	GR06.051S-M18	416
GR04.700-20	259	GR04.F218	245	GR06.052	240
GR04.700-25	259	GR04.F218-SI	245	GR06.053	240
GR04.710-25	261	GR04.F222	245	GR06.054	240
GR04.710-50	261	GR04.F222-SI	245	GR06.055	240
GR04.710-75	261	GR04.F227	245	GR06.060	102
GR04.710-100	261	GR04.F227-SI	245	GR06.061	102
GR04.711-25	256	GR04.F233	245	GR06.062	102
GR04.711-40	256	GR04.F233-SI	245	GR06.063	102
GR04.711-60	256	GR04.F241	245	GR06.125-16	241
GR04.715-70	263	GR04.F241-SI	245	GR06.125-25	241
GR04.720-25	261	GR04.F251	245	GR06.125-32	241
GR04.720-50	261	GR04.F251-SI	245	GR06.125-40	241
GR04.725-60	265	GR04.F263	245	GR06.125-50	241
GR04.725-90	265	GR04.F263-SI	245	GR06.125-60	241
GR04.730-20	259	GR05.001	97	GR06.125-80	241
GR04.740B	257	GR05.001A	96	GR07.001	351
GR04.840A-20	190	GR05.002	97	GR07.002	351
GR04.840A-20-20	190	GR05.003	97	GR07.010	456
GR04.840A-20-30	190	GR05.021	13	GR07.011	456
GR04.840A-30	190	GR05.022	15	GR07.012	456
GR04.840B-20	190	GR05.022-W	19	GR07.012-5	336
GR04.840B-20-20	190	GR05.022-X	15	GR07.012-10	336
GR04.840B-20-20/NPN	190	GR05.023	18	GR07.013	456
GR04.840B-20-30	190	GR05.024	18	GR07.016-5	336
GR04.840B-20-30/NPN	190	GR05.031	13	GR07.016-10	336
GR04.840B-20/NPN	190	GR05.032	15	GR07.016-20	336
GR04.840B-30	190	GR05.032-W	19	GR07.016-30	336
GR04.840B-30/NPN	190	GR05.032-X	15	GR07.020	95
GR04.2016H	184	GR05.041	13	GR07.020-5	336
GR04.2016R	184	GR05.042	15	GR07.020-10	336
GR04.2016RC	186	GR05.042-W	19	GR07.020-20	336
GR04.2016RC/NPN	186	GR05.042-X	15	GR07.020-30	336
GR04.2016S	184	GR05.051	13	GR07.020-50	336
GR04.2016SC	186	GR05.052	15	GR07.021	354
GR04.2016SC/NPN	186	GR05.052-W	19	GR07.022	353
GR04.F01-35	242	GR05.052-X	15	GR07.024	353
GR04.F01-40	242	GR05.100	32	GR07.025-5	336

# Item numbers index

Item no.	Page	Item no.	Page	Item no.	Page
GR07.025-10	336	GR-XL01.005.2000	55	GT-NF10	308
GR07.025-20	336	GR-XL01.012	57	GT-NF15	308
GR07.025-30	336	GR-XL01.013	57	GT-NR3	286
GR07.025-50	336	GR-XL01.020	64	GT-NR5	286
GR07.026	355	GR-XL01.021	64	GT-NR7	286
GR07.028	355	GR-XL01.022	64	GT-NR10GR	328
GR07.030	352	GR-XL01.025	72	GT-NR10H	325
GR07.032-5	336	GR-XL01.026	72	GT-NR10L	286
GR07.032-10	336	GR-XL01.028	73	GT-NR10S	326
GR07.032-20	336	GR-XL01.029	74	GT-NR10ST2	327
GR07.032-30	336	GR-XL01.035	75	GT-NR20	286
GR07.032-50	336	GR-XL01.062	70	GT-NR20GR	328
GR07.040	267	GR-XL01.063	69	GT-NR20H	325
GR07.041	267	GR-XL01.100	58	GT-NR20S	326
GR07.042	268	GR-XL01.101	58	GT-NR20ST2	327
GR07.112-25	338	GR-XL01.102	58	GT-NR30	286
GR07.112-50	338	GR-XL01.103	58	GT-NR30GR	328
GR07.112-75	338	GR-XL01.104	58	GT-NR30H	325
GR07.116-25	338	GR-XL01.105	62	GT-NR30S	326
GR07.116-50	338	GR-XL01.106	58	GT-NR30ST2	327
GR07.116-75	338	GR-XL02.003	78	GT-NR50	286
GR07.116-100	338	GR-XL02.005	78	GT-NR50H	325
GR07.196	350	GR-XL02.013	79	GT-NR50ST2	327
GR07.197	350	GR-XL02.016	79	GT-NS3	286
GR07.198	350	GR-XL02.022	83	GT-NS5	286
GR07.199	350	GR-XL02.024	83	GT-NS7	286
GR07.208-30	340	GR-XL02.029	82	GT-NS10L	286
GR07.208-50	340	GR-XL02.033	91	GT-NS20	286
GR07.208-75	340	GR-XL02.038	80	GT-NS20H-1	286
GR07.216-30	343	GR-XL05.032	15	GT-NS30	286
GR07.216-50	343	GR-XL05.052	15	GT-NT03	316
GR07.216-75	343	GS01.004	419	GT-NT03-4	316
GR07.216-100	343	GS01.006	419	GT-NT03R	316
GR07.220-10	343	GS01.008	419	GT-NT03R-4	316
GR07.220-30	343	GS01.012	419	GT-NT05	316
GR07.220-50	343	GS02.001	378	GT-NT05-4	316
GR07.220-75	343	GS04.001	408	GT-NT05R	316
GR07.220-100	343	GS04.002	408	GT-NT05R-4	316
GR07.220-125	343	GS04.003	408	GT-NT10	316
GR07.220-150	343	GS04.004	408	GT-NT10-6	316
GR07.506-10	346	GT-H12K	321	GT-NT10R	316
GR07.506-20	346	GT-H30	321	GT-NT10R-6	316
GR07.506-30	346	GT-H120K	321	GT-NT20	316
GR07.510-10	346	GT-HS30	321	GT-NT20-6	316
GR07.510-20	346	GT-HWR1	323	GT-NT20R	316
GR07.510-30	346	GT-HWR10	323	GT-NT20R-6	316
GR07.516-10	346	GT-HWS1	323	GT-NY05	309
GR07.516-20	346	GT-HWS10	323	GT-NY05-4	309
GR07.516-30	346	GT-N3	288	GT-NY05R	309
GR07.520	100	GT-N5	288	GT-NY05R-4	309
GR07.520S	101	GT-N7	288	GT-NY10	309
GR07.521	100	GT-N10	288	GT-NY10-4	309
GR09.xx1	278	GT-N12	288	GT-NY10R	309
GR09.xx2	252	GT-N20	288	GT-NY10R-4	309
GR09.xx3	252	GT-N30	288	GT-NY15	309
GR-XL01.003.2000	55	GT-N50	288	GT-NY15-4	309
GR-XL01.004.2000	55	GT-NF05	308	GT-NY15R	309

## Item numbers index

Item no.	Page	Item no.	Page	Item no.	Page
GT-NY15R-4	309	N20AJL	296	NY10AJ	311
GT-NY25	309	N20AL	301	NY10AJB	311
GT-NY25-6	309	N20AML	300	NY10AJL	311
GT-NY25R	309	N20AMR	300	NY10AJT	311
GT-NY25R-6	309	N20AP	298	NY10RAH	313
H12ME30K	322	N20AS	306	NY10RAJ	311
H30ME	322	N20BFB	304	NY15AH	313
H120SK	322	N20HS	306	NY15AJ	311
HW1J	324	N20PF	298	NY15AJB	311
HW10J	324	N30AA114	298	NY15AJL	311
LT10	414	N30AE	303	NY15AJT	311
LT10/NPN	414	N30AH	302	NY15RAH	313
LT18OHT	412	N30AJ	296	NY15RAJ	311
LT18OHT/NPN	412	N30AJL	296	NY25AH	313
LT19	412	N30AL525	301	NY25AJ	311
LT19/NPN	412	N30AML	300	NY25AJB	311
M8B3 / M8S4	411	N30AMR	300	NY25AJL	311
M8B4 / M8S3	411	N30AP	298	NY25RAH	313
MG35	269	N30AS	306	NY25RAJ	311
MG55	269	N30BBB	306	P-10L	295
MG70	269	N30PF	298	P-20	295
N3AE	303	N50AB	298	P-30	295
N3AJ	296	N50ABH41	298	P-50	295
N3AP	298	N50AE	303	QC3-3M	446
N3AS	306	N50AJL	296	QC3-4M	446
N3BJ	304	N50AS	304	QC3-6M	446
N3HS	306	N50BBB	306	QC4-3M	446
N5AE	303	NE05AJ	318	QC4-4M	446
N5AP	298	NE10AJ	318	QC4-6M	446
N5AS	306	NT03AJ	318	QC6-3M	446
N5BJ	304	NT03AJT	318	QC6-4M	446
N5HS	306	NT05AE	320	QC6-6	446
N7AE	303	NT05AJ	318	QC6-6M	446
N7AP	298	NT05AJB	318	QC6-8	446
N7AS	306	NT05AJH	318	QC8-6	446
N7BJ	304	NT05AJL	318	QC8-8	446
N7HS	306	NT05AJT	318	SF05.A15.25	289
N7PF	298	NT10AE	320	SF10.A15.35	290
N10AE	303	NT10AJ	318	SF10.A40.34	290
N10AP	298	NT10AJB	318	SF20.A40.51	291
N10AS	306	NT10AJH	318	SF20.A90.41	291
N10HS	306	NT10AJL	318	SF20.I36	291
N10LAB2	296	NT10AJT	318	SF20.I65	291
N10LAB152	298	NT20AJ	318	SF20.P48	291
N10LAP	298	NT20AJB	318	SF30.A30.76	293
N10LAS	306	NT20AJH	318	SF30.I53	293
N10LPF	298	NT20AJL	318	SF30.I74	293
N12AP	298	NY05AH	313	SF30.P45	293
N12AS	306	NY05AJ	311	SR50-A	20
N12HS	306	NY05AJB	311	SR50-A-MV	20
N20AA27	298	NY05AJL	311	SR50-A-SL	20
N20AA239	298	NY05AJT	311	SR50-A-SL-MV	20
N20AB39	296	NY05BJ	315	SR50-B	23
N20AB360	298	NY05RAH	313	SR50-C	32
N20AE	303	NY05RAJ	311	SR90-A	24
N20AH	302	NY05RBJ	315	SR90-A-MV	24
N20AJ	296	NY10AH	313	SR90-A-SL	24

# Item numbers index

Item no.	Page
SR90-A-SL-MV	24
SR90-B	27
SR90-C	32
SR90-W	37
SR150-A	28
SR150-A-SL	28
SR150-B	31
SR150-C	32
SR150-W	37
WR 0425	433
WR 0640	433
WR 0850	433
WR 0860	433
WR 1280	433
WR 1290	433
WR 1613	433





Our General Terms and Conditions apply; they can be viewed at our website [www.fipa.com](http://www.fipa.com) or requested by calling +49 89 962489-0.

#### Copyrights

All pages and their contents are copyright protected (all rights reserved). All names, trademarks, logos, text and images are the property of the respective owners and must be treated as such.

Realization: FIPA GmbH, Ismaning / Germany

Printed by: Concordia Druckerei, Mannheim / Germany

#### Exclusion of liability

This catalog was compiled with the greatest possible care. Nevertheless, FIPA provides no warranty that the information contained herein will be accurate and free of errors. FIPA rules out any liability for damages that result directly or indirectly from the use of the FIPA catalog to the extent that these damages were not caused by premeditation or gross negligence on behalf of FIPA.

FIPA shall not be held liable for any damage resulting from ready-made modules preassembled by FIPA if a check as to their suitability for the particular application has not been made prior to them being put into operation by the customer.

Created in March 2018

FIPA GmbH

Freisinger Straße 30

85737 Ismaning

Phone +49 89 962489-0

Fax +49 89 962489-11

[info@fipa.com](mailto:info@fipa.com) | [www.fipa.com](http://www.fipa.com)

Executive Manager: Rainer Mehrer

Headquarters: Ismaning

Commercial Register: München, HRB 104 684

Sales Tax ID No: DE161864784

**FIPA GmbH – Headquarters**

Freisinger Straße 30  
 85737 Ismaning / Germany  
 Phone +49 89 962489-0  
 Fax +49 89 962489-11  
 info@fipa.com

**FIPA Inc.**

1855 Evans Road  
 Cary, NC 27513 / USA  
 Phone +1 919 651 9888  
 Fax +1 919 573 0871  
 sales.us@fipa.com

**FIPA Ltd.**

1338/939 Supalai Prima Riva Building  
 Rama 3 Road, Chong Non Si Sub-District  
 Yannawa District  
 10120 Bangkok / Thailand  
 Phone +66 2 294 4166  
 Fax +66 2 294 4149  
 sales.th@fipa.com

**FIPA GmbH**

Bureau de liaison France  
 11, rue Mittlerweg  
 CS 90015  
 68025 COLMAR Cedex / France  
 Phone +33 3 8920 3873  
 Fax +33 3 8920 4379  
 sales.fr@fipa.com

**FIPA GmbH – RO China**

4/E BLK52, 1089 North Qinzhou Rd  
 200233 Shanghai / China  
 Phone +86 21 5426 5181  
 Mobil +86 157 2121 8290  
 Fax +86 21 5426 5178  
 dyao@fipa.com

**FIPA Magyarország Kft**

Szombathelyi tér 3  
 1119 Budapest / Hungary  
 Phone +36 1 321 0312  
 Mobil +36 70 336 0314  
 Fax +36 1 413 7536  
 fipa@fipa.hu | www.fipa.hu

**FIPA sales partners**

With sales partners in over 30 countries around the world, FIPA makes know-how accessible to anyone who needs it.



[www.fipa.com](http://www.fipa.com)

- Headquarters
- Subsidiaries abroad