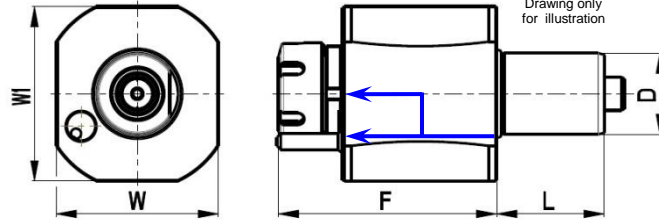


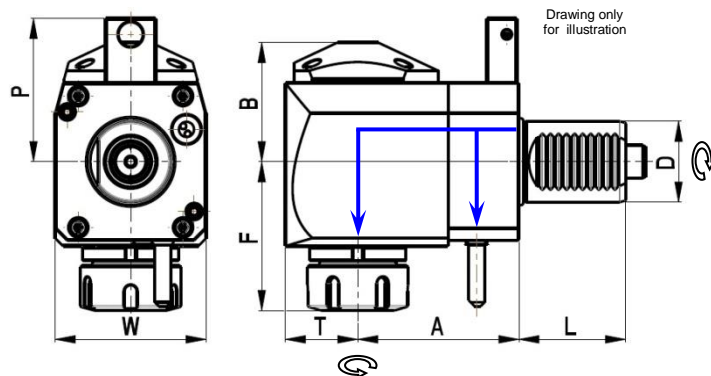
## DIN 5482



**Code**   
Click below to see more

	D	Tool grip	Internal Cooling	F	L	W	W1
<a href="#">NGT1-30/111-25/1</a>	30	ER25	no	87	45	64	68
<a href="#">NGT1-30/111-25/2</a>	30	ER25	yes	87	45	64	68
<a href="#">NGT1-40/111-25/1</a>	40	ER25	no	105	53	80	86
<a href="#">NGT1-40/111-25/2</a>	40	ER25	yes	105	53	80	86
<a href="#">NGT1-40/111-32/1</a>	40	ER32	no	108	53	80	86
<a href="#">NGT1-40/111-32/2</a>	40	ER32	yes	108	53	80	86

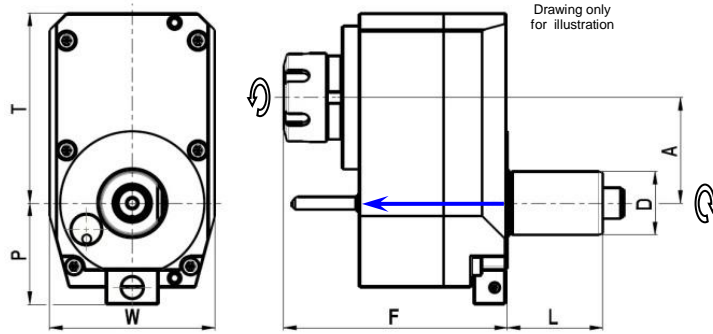
## DIN 5482



**Code**   
Click below to see more

	D	Tool grip	Internal Cooling	Direction	A	B	F	L	P	T	W
<a href="#">NGT1-30/211-25/1.1-55</a>	30	ER25	no	right	55	48	63	45	48	29	64
<a href="#">NGT1-30/211-25/2.1-55</a>	30	ER25	yes	right	55	51	63	45	48	29	64
<a href="#">NGT1-40/211-25/1.1-80</a>	40	ER25	no	right	80	59	70	53	71	36	75
<a href="#">NGT1-40/211-25/2.1-80</a>	40	ER25	yes	right	80	62	70	53	71	36	75
<a href="#">NGT1-40/211-32/1.1-80</a>	40	ER32	no	right	80	59	74	53	71	36	75
<a href="#">NGT1-40/211-32/2.1-80</a>	40	ER32	yes	right	80	62	74	53	71	36	75
<a href="#">NGT1-40/211-25/1.2-80</a>	40	ER25	no	left	80	59	70	53	71	36	75
<a href="#">NGT1-40/211-25/2.2-80</a>	40	ER25	yes	left	80	62	70	53	71	36	75
<a href="#">NGT1-40/211-32/1.2-80</a>	40	ER32	no	left	80	59	74	53	71	36	75
<a href="#">NGT1-40/211-32/2.2-80</a>	40	ER32	yes	left	80	62	74	53	71	36	75

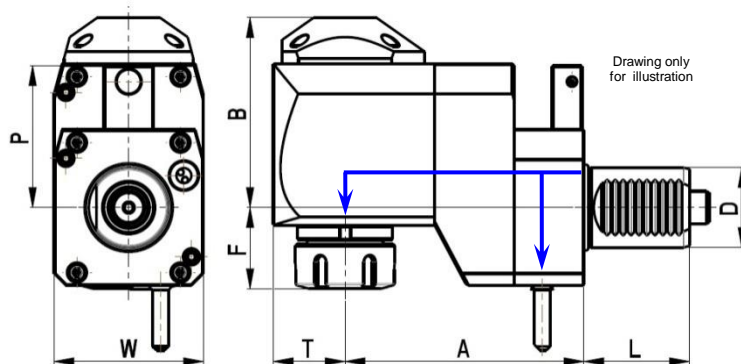
DIN 5482



**Code**   
Click below to see more

	D	Tool grip	Internal Cooling	Direction	A	F	L	P	T	W
<a href="#">NGT1-30/311-25/1.1-50(1:2)</a>	30	ER25	no	right	50	106	45	48	90	78

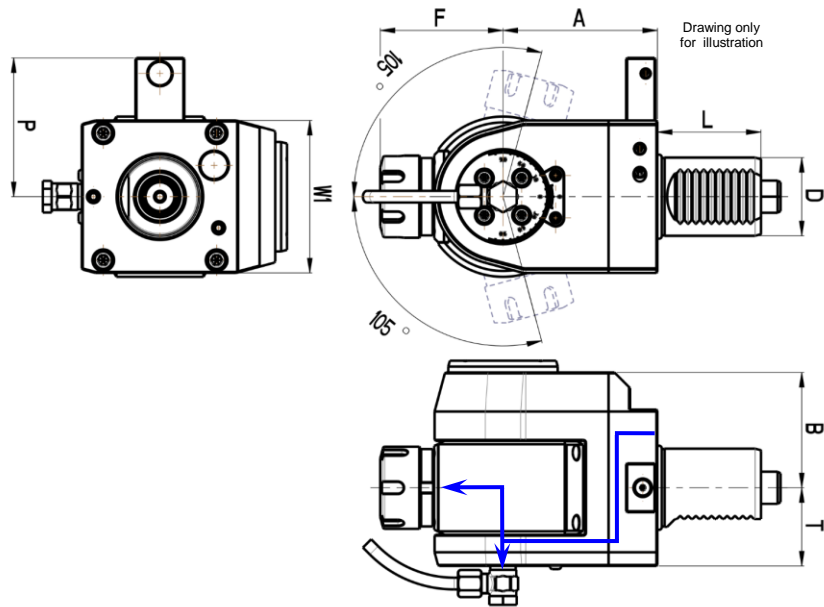
DIN 5482



**Code**   
Click below to see more

	D	Tool grip	Internal Cooling	Direction	A	B	F	L	P	T	W
<a href="#">NGT1-30/411-25/1.1-75</a>	30	ER25	no	right	75	71	40	45	48	29	64
<a href="#">NGT1-30/411-25/2.1-75</a>	30	ER25	yes	right	75	74	40	45	48	29	64
<a href="#">NGT1-40/411-25/1.1-120</a>	40	ER25	no	right	120	92	37	53	71	36	75
<a href="#">NGT1-40/411-25/2.1-120</a>	40	ER25	yes	right	120	95	37	53	71	36	75
<a href="#">NGT1-40/411-32/1.1-120</a>	40	ER32	no	right	120	92	41	53	71	36	75
<a href="#">NGT1-40/411-32/2.1-120</a>	40	ER32	yes	right	120	95	41	53	71	36	75

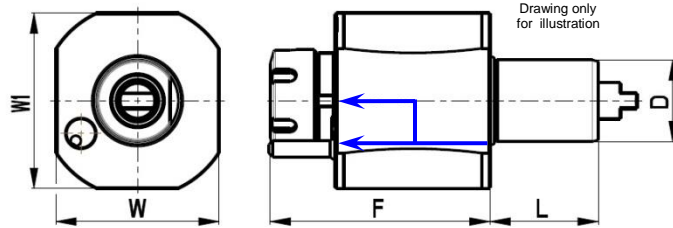
DIN 5482



**Code**   
Click below to see more

Code	D	Tool grip	Internal Cooling	Direction	A	B	F	L	P	T	W1
<a href="#">NGT1-30/511-16.1</a>	30	ER16	no	right/left	79	59	43	45	48	40	64
<a href="#">NGT1-30/511-16.2</a>	30	ER16	yes	right/left	86	59	43	45	48	40	64
<a href="#">NGT1-40/511-25.1</a>	40	ER25	no	right/left	79	59	63	53	71	40	78
<a href="#">NGT1-40/511-25.2</a>	40	ER25	yes	right/left	86	59	63	53	71	40	78

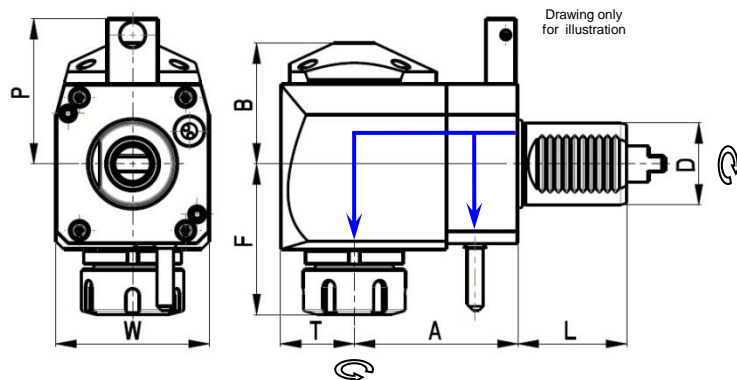
## DIN 1809



**Code**   
 Click below to see more

Code	D	Tool grip	Internal Cooling	F	L	W	W1
<a href="#">NGT1-30/121-25/1</a>	30	ER25	no	87	45	64	68
<a href="#">NGT1-30/121-25/2</a>	30	ER25	yes	87	45	64	68
<a href="#">NGT1-30/121-25/1B</a>	30	ER25	no	87	55	64	68
<a href="#">NGT1-30/121-25/2B</a>	30	ER25	yes	87	55	64	68
<a href="#">NGT1-40/121-25/1</a>	40	ER25	no	105	53	80	86
<a href="#">NGT1-40/121-25/2</a>	40	ER25	yes	105	53	80	86
<a href="#">NGT1-40/121-32/1</a>	40	ER32	no	108	53	80	86
<a href="#">NGT1-40/121-32/2</a>	40	ER32	yes	108	53	80	86
<a href="#">NGT1-40/121-32/1S</a>	40	ER32	no	95	53	80	86
<a href="#">NGT1-40/121-32/2S</a>	40	ER32	yes	95	53	80	86

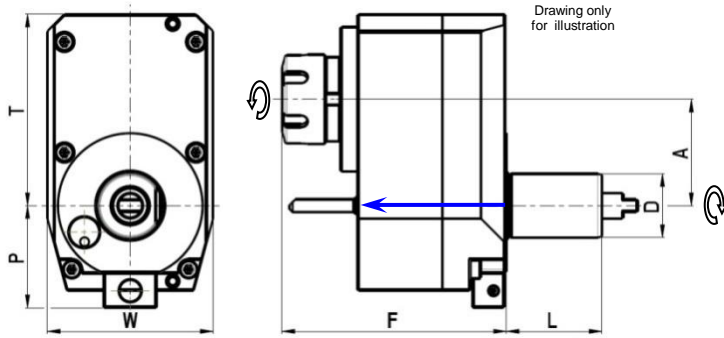
## DIN 1809



**Code**   
 Click below to see more

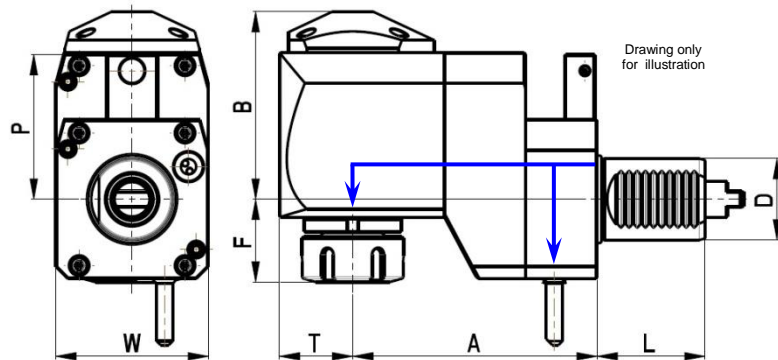
Code	D	Tool grip	Internal Cooling	Direction	A	B	F	L	P	T	W
<a href="#">NGT1-30/221-25/1.1-55</a>	30	ER25	no	right	55	48	63	45	48	29	64
<a href="#">NGT1-30/221-25/2.1-55</a>	30	ER25	yes	right	55	51	63	45	48	29	64
<a href="#">NGT1-30/221-25/1.1-55B</a>	30	ER25	no	right	55	48	63	55	48	29	64
<a href="#">NGT1-30/221-25/2.1-55B</a>	30	ER25	yes	right	55	51	63	55	48	29	64
<a href="#">NGT1-40/221-25/1.1-80</a>	40	ER25	no	right	80	59	70	53	71	36	75
<a href="#">NGT1-40/221-25/2.1-80</a>	40	ER25	yes	right	80	62	70	53	71	36	75
<a href="#">NGT1-40/221-32/1.1-80</a>	40	ER32	no	right	80	59	74	53	71	36	75
<a href="#">NGT1-40/221-32/2.1-80</a>	40	ER32	yes	right	80	62	74	53	71	36	75
<a href="#">NGT1-40/221-25/1.2-100D</a>	40	ER25	no	left	100	59	70	53	-	36	75
<a href="#">NGT1-40/221-25/2.2-100D</a>	40	ER25	yes	left	100	62	70	53	-	36	75
<a href="#">NGT1-40/221-32/1.2-100D</a>	40	ER32	no	left	100	59	74	53	-	36	75
<a href="#">NGT1-40/221-32/2.2-100D</a>	40	ER32	yes	left	100	62	74	53	-	36	75

## DIN 1809



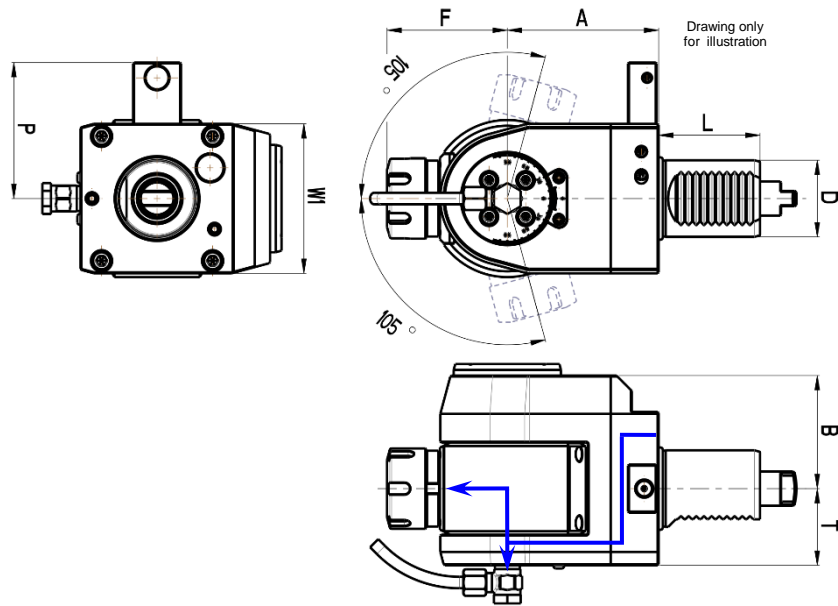
Code	D	Tool grip	Internal Cooling	Direction	A	F	L	P	T	W
<a href="#">Click below to see more</a>										
<b>NGT1-30/321-25/1.1-50(1:2)</b>	30	ER25	no	right	50	106	45	48	90	78

## DIN 1809



Code	D	Tool grip	Internal Cooling	Direction	A	B	F	L	P	T	W
<a href="#">Click below to see more</a>											
<b>NGT1-30/421-25/1.1-75</b>	30	ER25	no	right	75	71	40	45	48	29	64
<b>NGT1-30/421-25/2.1-75</b>	30	ER25	yes	right	75	74	40	45	48	29	64
<b>NGT1-40/421-25/1.1-120</b>	40	ER25	no	right	120	92	37	53	71	36	75
<b>NGT1-40/421-25/2.1-120</b>	40	ER25	yes	right	120	95	37	53	71	36	75
<b>NGT1-40/421-32/1.1-120</b>	40	ER32	no	right	120	92	41	53	71	36	75
<b>NGT1-40/421-32/2.1-120</b>	40	ER32	yes	right	120	95	41	53	71	36	75

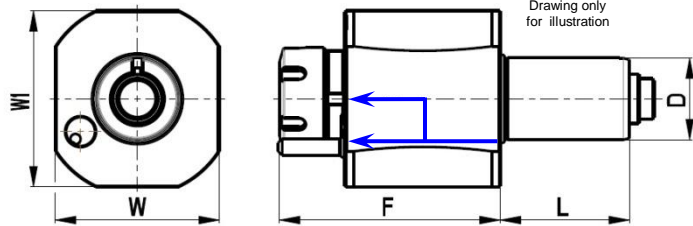
DIN 1809



**Code**   
Click below to see more

Code	D	Tool grip	Internal Cooling	Direction	A	B	F	L	P	T	W1
<a href="#">NGT1-30/521-16.1</a>	30	ER16	no	right/left	79	59	43	45	48	40	64
<a href="#">NGT1-30/521-16.2</a>	30	ER16	yes	right/left	86	59	43	45	48	40	64
<a href="#">NGT1-40/521-25.1</a>	40	ER25	no	right/left	79	59	63	53	71	40	78
<a href="#">NGT1-40/521-25.2</a>	40	ER25	yes	right/left	86	59	63	53	71	40	78

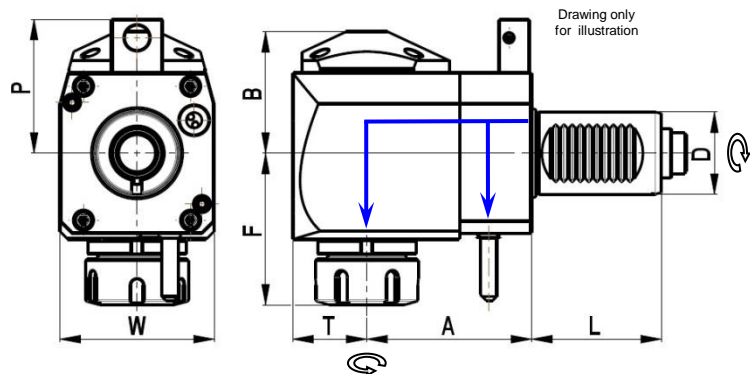
## DIN 5480



**Code** [Click below to see more](#)


Code	D	Tool grip	Internal Cooling	F	L	W	W1
<a href="#">NGT1-30/131-25/1</a>	30	ER25	no	87	55	64	68
<a href="#">NGT1-30/131-25/2</a>	30	ER25	yes	87	55	64	68
<a href="#">NGT1-40/131-25/1</a>	40	ER25	no	105	63	80	86
<a href="#">NGT1-40/131-25/2</a>	40	ER25	yes	105	63	80	86
<a href="#">NGT1-40/131-32/1</a>	40	ER32	no	108	63	80	86
<a href="#">NGT1-40/131-32/2</a>	40	ER32	yes	108	63	80	86

## DIN 5480

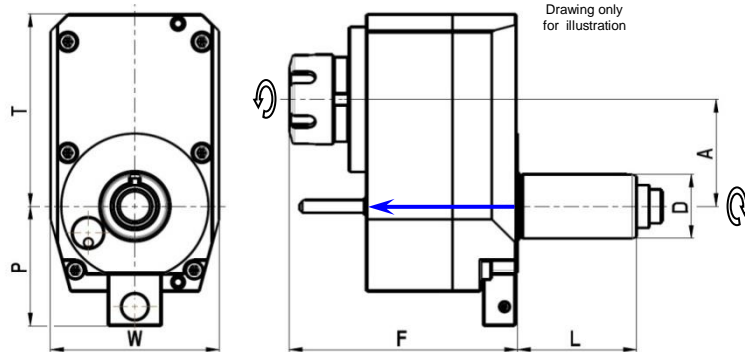



**Code** [Click below to see more](#)

Code	D	Tool grip	Internal Cooling	Direction	A	B	F	L	P	T	W
<a href="#">NGT1-30/231-25/1.1-55</a>	30	ER25	no	right	55	48	63	55	56	29	64
<a href="#">NGT1-30/231-25/2.1-55</a>	30	ER25	yes	right	55	51	63	55	56	29	64
<a href="#">NGT1-30/231-25/1.1-85</a>	30	ER25	no	right	85	48	63	55	56	29	64
<a href="#">NGT1-30/231-25/2.1-85</a>	30	ER25	yes	right	85	51	63	55	56	29	64
<a href="#">NGT1-30/231-25/1.1-100</a>	30	ER25	no	right	100	48	63	55	56	29	64
<a href="#">NGT1-30/231-25/2.1-100</a>	30	ER25	yes	right	100	51	63	55	56	29	64
<a href="#">NGT1-30/231-25/1.2-55</a>	30	ER25	no	left	55	48	63	55	56	29	64
<a href="#">NGT1-30/231-25/2.2-55</a>	30	ER25	yes	left	55	51	63	55	56	29	64
<a href="#">NGT1-30/231-25/1.2-85</a>	30	ER25	no	left	85	48	63	55	56	29	64
<a href="#">NGT1-30/231-25/2.2-85</a>	30	ER25	yes	left	85	51	63	55	56	29	64
<a href="#">NGT1-40/231-25/1.1-80</a>	40	ER25	no	right	80	59	70	63	65	36	75
<a href="#">NGT1-40/231-25/2.1-80</a>	40	ER25	yes	right	80	62	70	63	65	36	75
<a href="#">NGT1-40/231-32/1.1-80</a>	40	ER32	no	right	80	59	74	63	65	36	75
<a href="#">NGT1-40/231-32/2.1-80</a>	40	ER32	yes	right	80	62	74	63	65	36	75
<a href="#">NGT1-40/231-25/1.1-100</a>	40	ER25	no	right	100	59	70	63	65	36	75
<a href="#">NGT1-40/231-25/2.1-100</a>	40	ER25	yes	right	100	62	70	63	65	36	75
<a href="#">NGT1-40/231-32/1.1-100</a>	40	ER32	no	right	100	59	74	63	65	36	75
<a href="#">NGT1-40/231-32/2.1-100</a>	40	ER32	yes	right	100	62	74	63	65	36	75

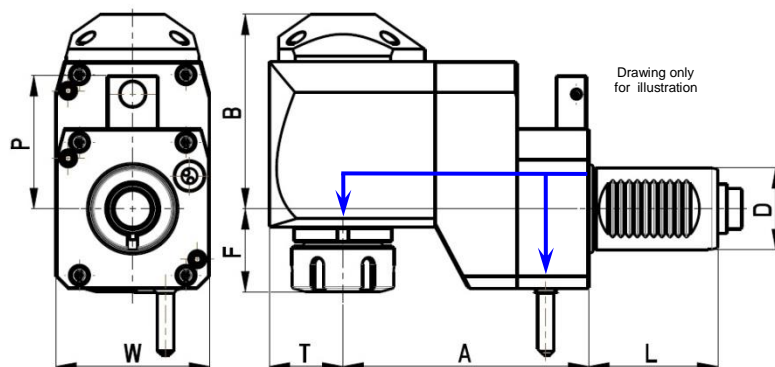
Code  Click below to see more	D	Tool grip	Internal Cooling	Direction	A	B	F	L	P	T	W
<a href="#">NGT1-40/231-25/1.2-80</a>	40	ER25	no	left	80	59	70	63	65	36	75
<a href="#">NGT1-40/231-25/2.2-80</a>	40	ER25	yes	left	80	62	70	63	65	36	75
<a href="#">NGT1-40/231-32/1.2-80</a>	40	ER32	no	left	80	59	74	63	65	36	75
<a href="#">NGT1-40/231-32/2.2-80</a>	40	ER32	yes	left	80	62	74	63	65	36	75
<a href="#">NGT1-40/231-25/1.2-100</a>	40	ER25	no	left	100	59	70	63	65	36	75
<a href="#">NGT1-40/231-25/2.2-100</a>	40	ER25	yes	left	100	62	70	63	65	36	75
<a href="#">NGT1-40/231-32/1.2-100</a>	40	ER32	no	left	100	59	74	63	65	36	75
<a href="#">NGT1-40/231-32/2.2-100</a>	40	ER32	yes	left	100	62	74	63	65	36	75


DIN 5480



Code  Click below to see more	D	Tool grip	Internal Cooling	Direction	A	F	L	P	T	W
<a href="#">NGT1-30/331-25/1.1-50(1:2)</a>	30	ER25	no	right	50	106	55	56	90	78
<a href="#">NGT1-30/331-25/1.1-50(2:1)</a>	30	ER25	no	right	50	106	55	56	90	78

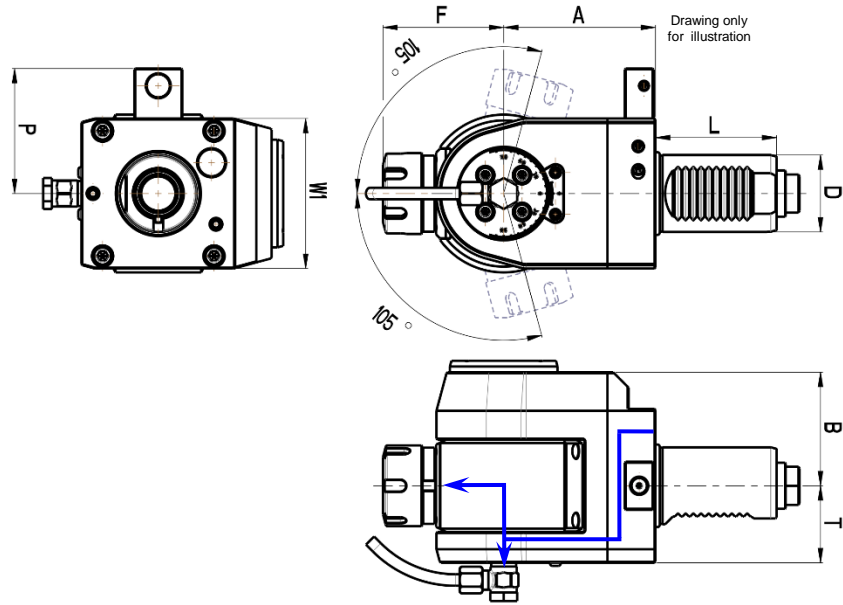
DIN 5480



Code  Click below to see more	D	Tool grip	Internal Cooling	Direction	A	B	F	L	P	T	W
<a href="#">NGT1-30/431-25/1.1-75</a>	30	ER25	no	right	75	71	40	55	56	29	64
<a href="#">NGT1-30/431-25/2.1-75</a>	30	ER25	yes	right	75	74	40	55	56	29	64
<a href="#">NGT1-40/431-25/1.1-120</a>	40	ER25	no	right	120	92	37	63	65	36	75
<a href="#">NGT1-40/431-25/2.1-120</a>	40	ER25	yes	right	120	95	37	63	65	36	75
<a href="#">NGT1-40/431-32/1.1-120</a>	40	ER32	no	right	120	92	41	63	65	36	75
<a href="#">NGT1-40/431-32/2.1-120</a>	40	ER32	yes	right	120	95	41	63	65	36	75



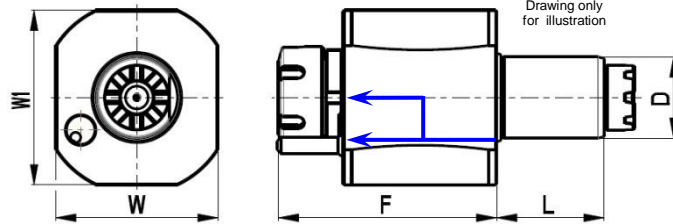
DIN 5480



**Code**   
Click below to see more

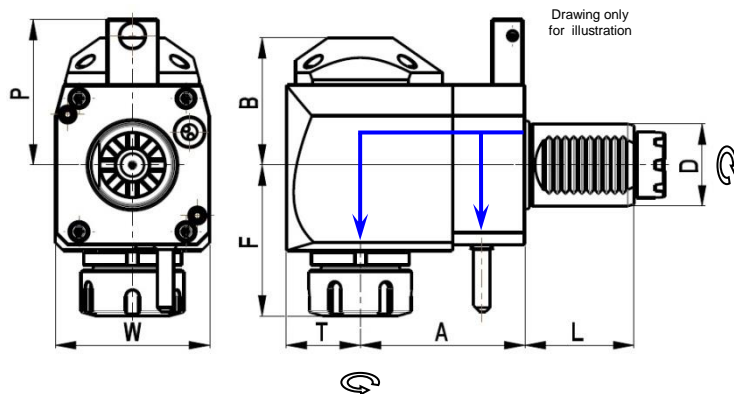
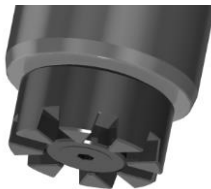
	D	Tool grip	Internal Cooling	Direction	A	B	F	L	P	T	W1
<a href="#">NGT1-30/531-16.1</a>	30	ER16	no	right/left	79	59	43	55	56	40	64
<a href="#">NGT1-30/531-16.2</a>	30	ER16	yes	right/left	86	59	43	55	56	40	64
<a href="#">NGT1-40/531-25.1</a>	40	ER25	no	right/left	79	59	63	63	65	40	78
<a href="#">NGT1-40/531-25.2</a>	40	ER25	yes	right/left	86	59	63	63	65	40	78

## TOEM



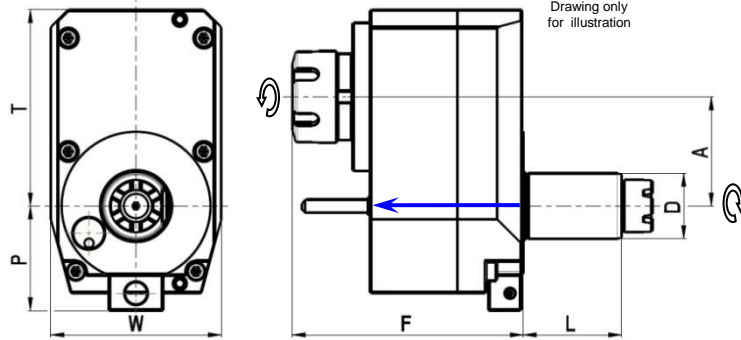
Code	D	Tool grip	Internal Cooling	F	L	W	W1
<a href="#">NGT1-30/141-25/1</a>	30	ER25	no	87	45	64	68
<a href="#">NGT1-30/141-25/2</a>	30	ER25	yes	87	45	64	68
<a href="#">NGT1-40/141-25/1</a>	40	ER25	no	105	53	80	86
<a href="#">NGT1-40/141-25/2</a>	40	ER25	yes	105	53	80	86
<a href="#">NGT1-40/141-32/1</a>	40	ER32	no	108	53	80	86
<a href="#">NGT1-40/141-32/2</a>	40	ER32	yes	108	53	80	86

## TOEM



Code	D	Tool grip	Internal Cooling	Direction	A	B	F	L	P	T	W
<a href="#">NGT1-30/241-25/1.1-55</a>	30	ER25	no	right	55	48	63	45	48	29	64
<a href="#">NGT1-30/241-25/2.1-55</a>	30	ER25	yes	right	55	51	63	45	48	29	64
<a href="#">NGT1-30/241-25/1.2-85</a>	30	ER25	no	left	85	48	63	45	48	29	64
<a href="#">NGT1-30/241-25/2.2-85</a>	30	ER25	yes	left	85	51	63	45	48	29	64
<a href="#">NGT1-40/241-25/1.1-80</a>	40	ER25	no	right	80	59	70	53	71	36	75
<a href="#">NGT1-40/241-25/2.1-80</a>	40	ER25	yes	right	80	62	70	53	71	36	75
<a href="#">NGT1-40/241-32/1.1-80</a>	40	ER32	no	right	80	59	74	53	71	36	75
<a href="#">NGT1-40/241-32/2.1-80</a>	40	ER32	yes	right	80	62	74	53	71	36	75
<a href="#">NGT1-40/241-25/1.2-80</a>	40	ER25	no	left	80	59	70	53	71	36	75
<a href="#">NGT1-40/241-25/2.2-80</a>	40	ER25	yes	left	80	62	70	53	71	36	75
<a href="#">NGT1-40/241-32/1.2-80</a>	40	ER32	no	left	80	59	74	53	71	36	75
<a href="#">NGT1-40/241-32/2.2-80</a>	40	ER32	yes	left	80	62	74	53	71	36	75
<a href="#">NGT1-40/241-25/1.2-80D</a>	40	ER25	no	left	80	59	70	53	-	36	75
<a href="#">NGT1-40/241-25/2.2-80D</a>	40	ER25	yes	left	80	62	70	53	-	36	75
<a href="#">NGT1-40/241-32/1.2-80D</a>	40	ER32	no	left	80	59	74	53	-	36	75
<a href="#">NGT1-40/241-32/2.2-80D</a>	40	ER32	yes	left	80	62	74	53	-	36	75

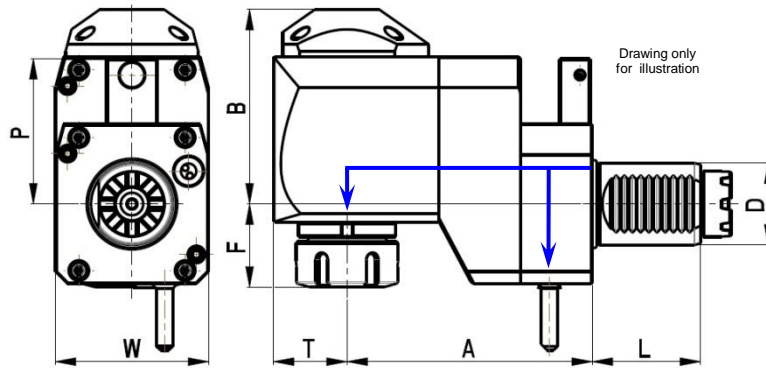
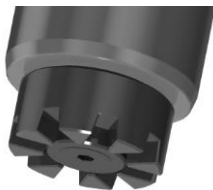
TOEM



**Code**   
Click below to see more

	D	Tool grip	Internal Cooling	Direction	A	F	L	P	T	W
<a href="#">NGT1-30/341-25/1.1-50(1:2)</a>	30	ER25	no	right	50	106	45	48	90	78

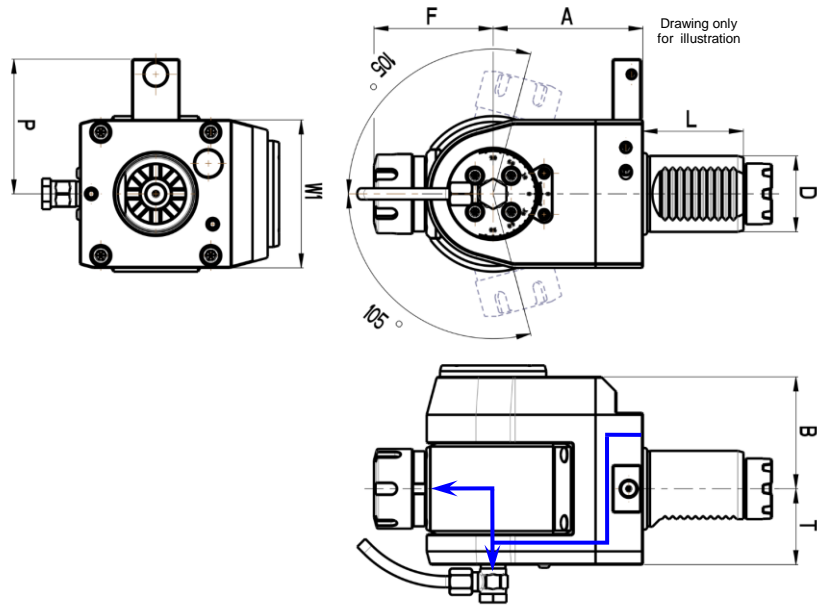
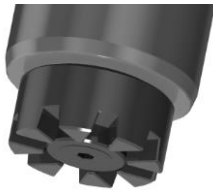
TOEM




**Code**   
Click below to see more

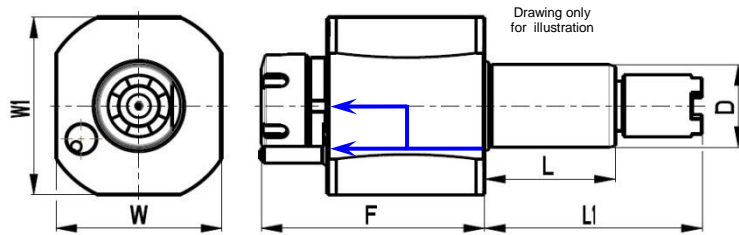
	D	Tool grip	Internal Cooling	Direction	A	B	F	L	P	T	W
<a href="#">NGT1-30/441-25/1.1-75</a>	30	ER25	no	right	75	71	40	45	48	29	64
<a href="#">NGT1-30/441-25/2.1-75</a>	30	ER25	yes	right	75	74	40	45	48	29	64
<a href="#">NGT1-40/441-25/1.1-120</a>	40	ER25	no	right	120	92	37	53	71	36	75
<a href="#">NGT1-40/441-25/2.1-120</a>	40	ER25	yes	right	120	95	37	53	71	36	75
<a href="#">NGT1-40/441-32/1.1-120</a>	40	ER32	no	right	120	92	41	53	71	36	75
<a href="#">NGT1-40/441-32/2.1-120</a>	40	ER32	yes	right	120	95	41	53	71	36	75

TOEM



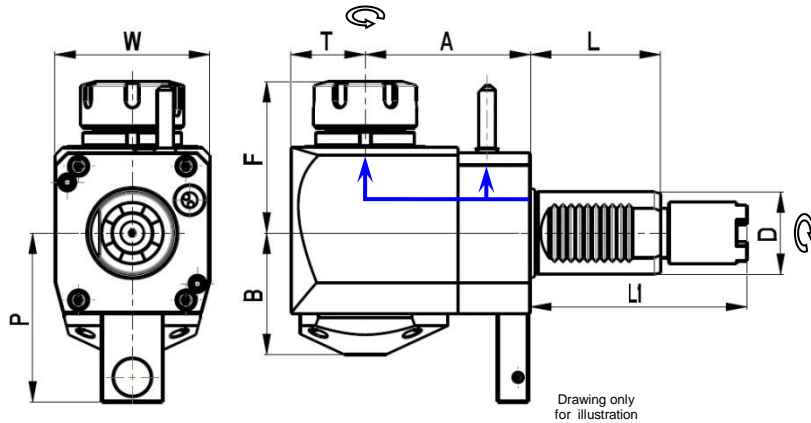
Code  <small>Click below to see more</small>	D	Tool grip	Internal Cooling	Direction	A	B	F	L	P	T	W1
<a href="#">NGT1-30/541-16.1</a>	30	ER16	no	right/left	79	59	43	45	48	40	64
<a href="#">NGT1-30/541-16.2</a>	30	ER16	yes	right/left	86	59	43	45	48	40	64
<a href="#">NGT1-40/541-25.1</a>	40	ER25	no	right/left	79	59	63	53	71	40	78
<a href="#">NGT1-40/541-25.2</a>	40	ER25	yes	right/left	86	59	63	53	71	40	78

## STEPPED



Code <small>Click below to see more</small>	D	Tool grip	Internal Cooling	F	L	L1	W	W1
<a href="#">NGT1-40/151-25/1A</a>	40	ER25	no	105	63	104.85	80	86
<a href="#">NGT1-40/151-25/2A</a>	40	ER25	yes	105	63	104.85	80	86
<a href="#">NGT1-40/151-32/1A</a>	40	ER32	no	108	63	104.85	80	86
<a href="#">NGT1-40/151-32/2A</a>	40	ER32	yes	108	63	104.85	80	86
<a href="#">NGT1-40/151-25/1B</a>	40	ER25	no	105	63	117.55	80	86
<a href="#">NGT1-40/151-25/2B</a>	40	ER25	yes	105	63	117.55	80	86
<a href="#">NGT1-40/151-32/1B</a>	40	ER32	no	108	63	117.55	80	86
<a href="#">NGT1-40/151-32/2B</a>	40	ER32	yes	108	63	117.55	80	86
<a href="#">NGT1-40/151-25/1C</a>	40	ER25	no	105	63	130.25	80	86
<a href="#">NGT1-40/151-25/2C</a>	40	ER25	yes	105	63	130.25	80	86
<a href="#">NGT1-40/151-32/1C</a>	40	ER32	no	108	63	130.25	80	86
<a href="#">NGT1-40/151-32/2C</a>	40	ER32	yes	108	63	130.25	80	86

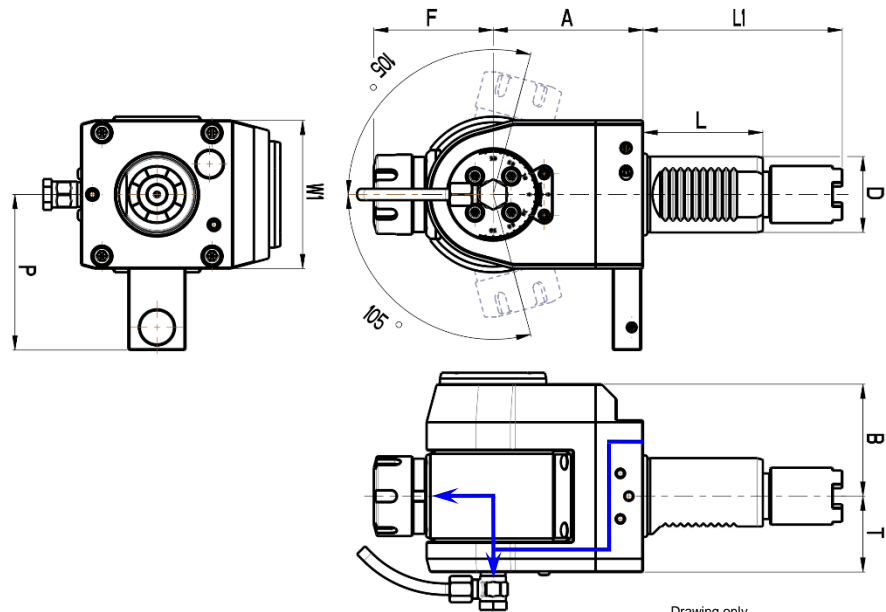
## STEPPED



**Code**   
Click below to see more

Code	D	Tool grip	Internal Cooling	Direction	A	B	F	L	L1	P	T	W
<a href="#">NGT1-40/251-25/1.2-80A</a>	40	ER25	no	left	80	59	70	63	104.85	82	36	75
<a href="#">NGT1-40/251-25/2.2-80A</a>	40	ER25	yes	left	80	62	70	63	104.85	82	36	75
<a href="#">NGT1-40/251-32/1.2-80A</a>	40	ER32	no	left	80	59	74	63	104.85	82	36	75
<a href="#">NGT1-40/251-32/2.2-80A</a>	40	ER32	yes	left	80	62	74	63	104.85	82	36	75
<a href="#">NGT1-40/251-25/1.2-80B</a>	40	ER25	no	left	80	59	70	63	117.55	82	36	75
<a href="#">NGT1-40/251-25/2.2-80B</a>	40	ER25	yes	left	80	62	70	63	117.55	82	36	75
<a href="#">NGT1-40/251-32/1.2-80B</a>	40	ER32	no	left	80	59	74	63	117.55	82	36	75
<a href="#">NGT1-40/251-32/2.2-80B</a>	40	ER32	yes	left	80	62	74	63	117.55	82	36	75
<a href="#">NGT1-40/251-25/1.2-80C</a>	40	ER25	no	left	80	59	70	63	130.25	82	36	75
<a href="#">NGT1-40/251-25/2.2-80C</a>	40	ER25	yes	left	80	62	70	63	130.25	82	36	75
<a href="#">NGT1-40/251-32/1.2-80C</a>	40	ER32	no	left	80	59	74	63	130.25	82	36	75
<a href="#">NGT1-40/251-32/2.2-80C</a>	40	ER32	yes	left	80	62	74	63	130.25	82	36	75
<a href="#">NGT1-40/251-25/1.2-69A</a>	40	ER25	no	left	69	59	70	63	104.85	82	36	75
<a href="#">NGT1-40/251-25/2.2-69A</a>	40	ER25	yes	left	69	62	70	63	104.85	82	36	75
<a href="#">NGT1-40/251-32/1.2-69A</a>	40	ER32	no	left	69	59	74	63	104.85	82	36	75
<a href="#">NGT1-40/251-32/2.2-69A</a>	40	ER32	yes	left	69	62	74	63	104.85	82	36	75
<a href="#">NGT1-40/251-25/1.2-69B</a>	40	ER25	no	left	69	59	70	63	117.55	82	36	75
<a href="#">NGT1-40/251-25/2.2-69B</a>	40	ER25	yes	left	69	62	70	63	117.55	82	36	75
<a href="#">NGT1-40/251-32/1.2-69B</a>	40	ER32	no	left	69	59	74	63	117.55	82	36	75
<a href="#">NGT1-40/251-32/2.2-69B</a>	40	ER32	yes	left	69	62	74	63	117.55	82	36	75
<a href="#">NGT1-40/251-25/1.2-69C</a>	40	ER25	no	left	69	59	70	63	130.25	82	36	75
<a href="#">NGT1-40/251-25/2.2-69C</a>	40	ER25	yes	left	69	62	70	63	130.25	82	36	75
<a href="#">NGT1-40/251-32/1.2-69C</a>	40	ER32	no	left	69	59	74	63	130.25	82	36	75
<a href="#">NGT1-40/251-32/2.2-69C</a>	40	ER32	yes	left	69	62	74	63	130.25	82	36	75

STEPPED



**Code**   
Click below to see more

Code	D	Tool grip	Internal Cooling	Direction	A	B	F	L	L1	P	T	W1
<a href="#">NGT1-40/551-25.1A</a>	40	ER25	no	right/left	79	59	63	63	104.85	82	40	78
<a href="#">NGT1-40/551-25.2A</a>	40	ER25	yes	right/left	86	59	63	63	104.85	82	40	78
<a href="#">NGT1-40/551-25.1B</a>	40	ER25	no	right/left	79	59	63	63	117.55	82	40	78
<a href="#">NGT1-40/551-25.2B</a>	40	ER25	yes	right/left	86	59	63	63	117.55	82	40	78
<a href="#">NGT1-40/551-25.1C</a>	40	ER25	no	right/left	79	59	63	63	130.25	82	40	78
<a href="#">NGT1-40/551-25.2C</a>	40	ER25	yes	right/left	86	59	63	63	130.25	82	40	78