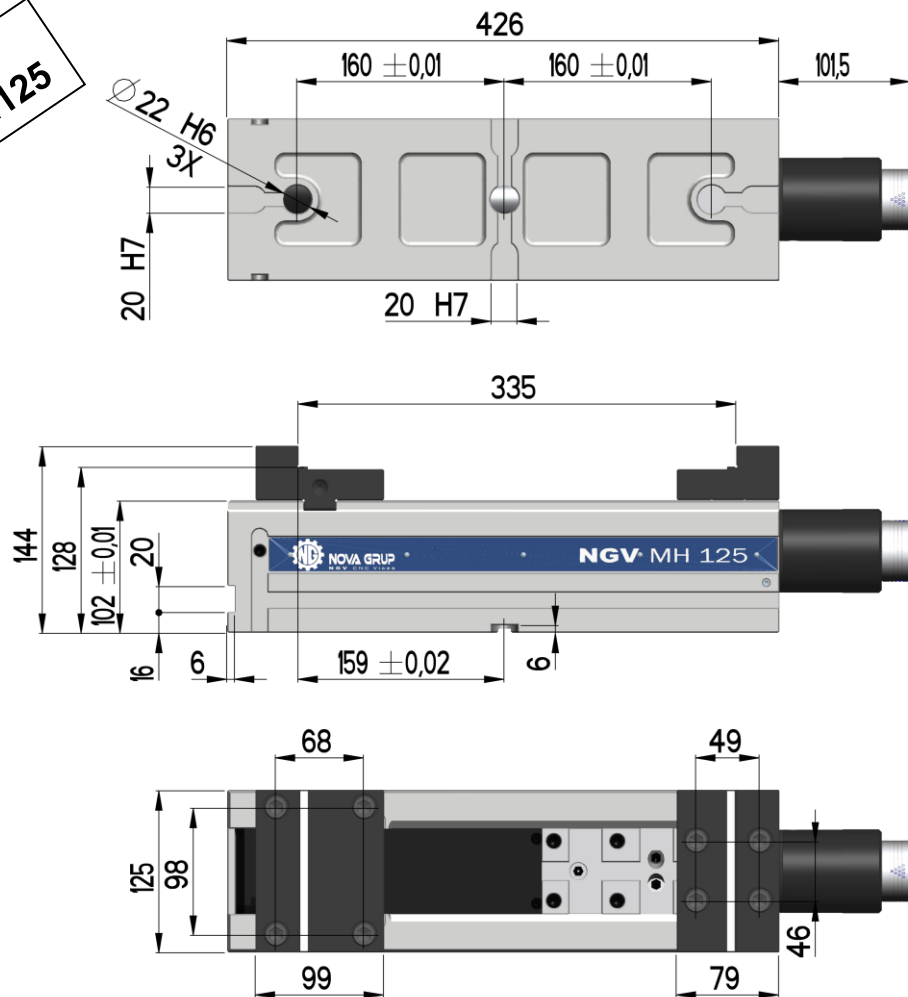




## MECHANO-HYDRAULIC VICE

Product code:  
**NGV .MH.125**



**Max. force:** 4000 kgf

**Max. opening:** 335 mm

**Jaw width:** 125 mm

**Amplification:** hydraulic

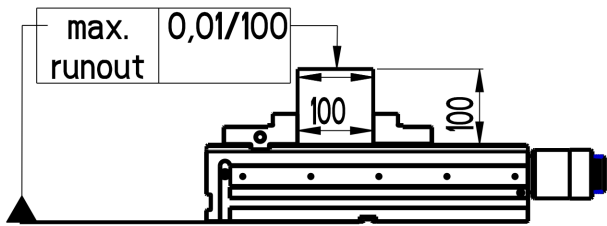
**Type:** NC vice

### Accessories

Wide range of jaws

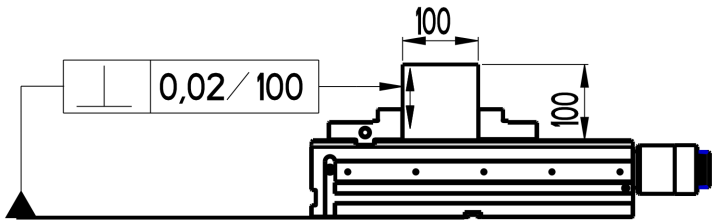
Stopper



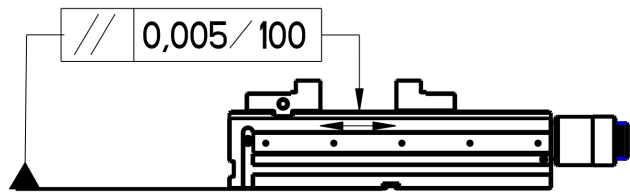


Admissible

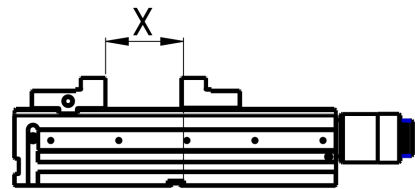
0,01mm



0,02mm



0,005mm

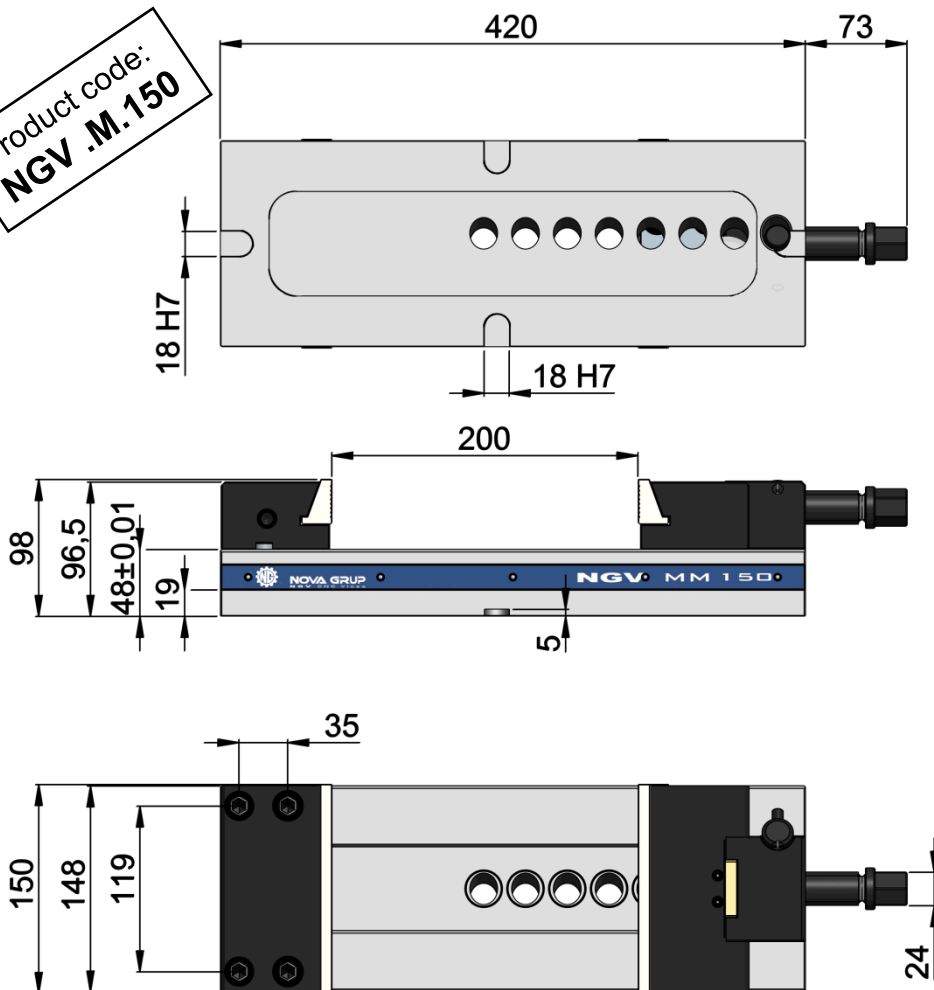


X:102,99-103,04mm



## MECHANICAL VICE

Product code:  
**NGV .M.150**



**Max. force:** 4000 kgf

**Max. opening:** 200 mm

**Jaw width:** 150 mm

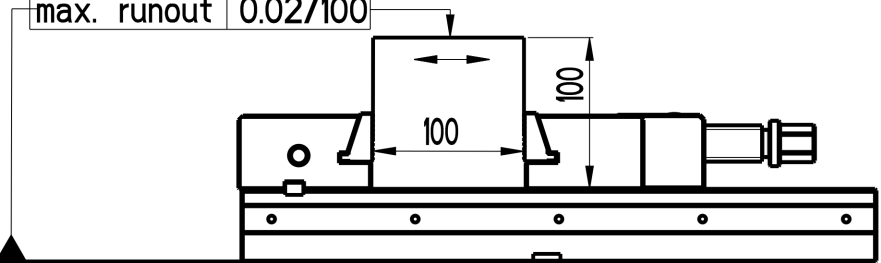
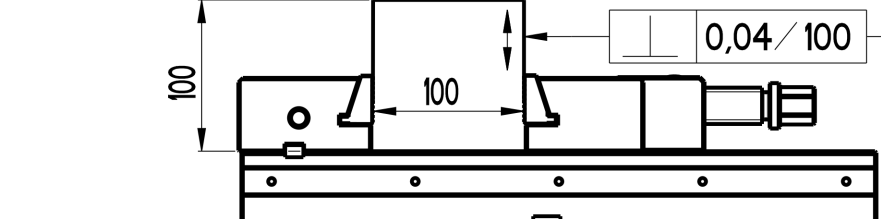
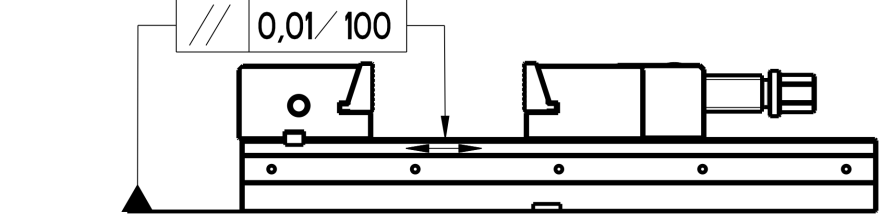
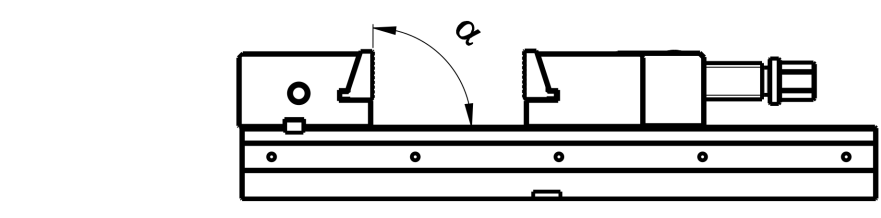
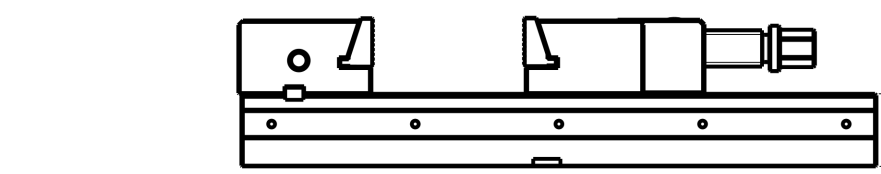
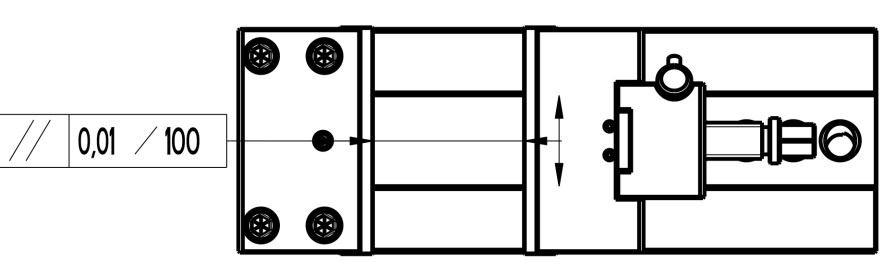
**Amplification:** no

**Type:** precision machine vice

### Accessories

Stopper

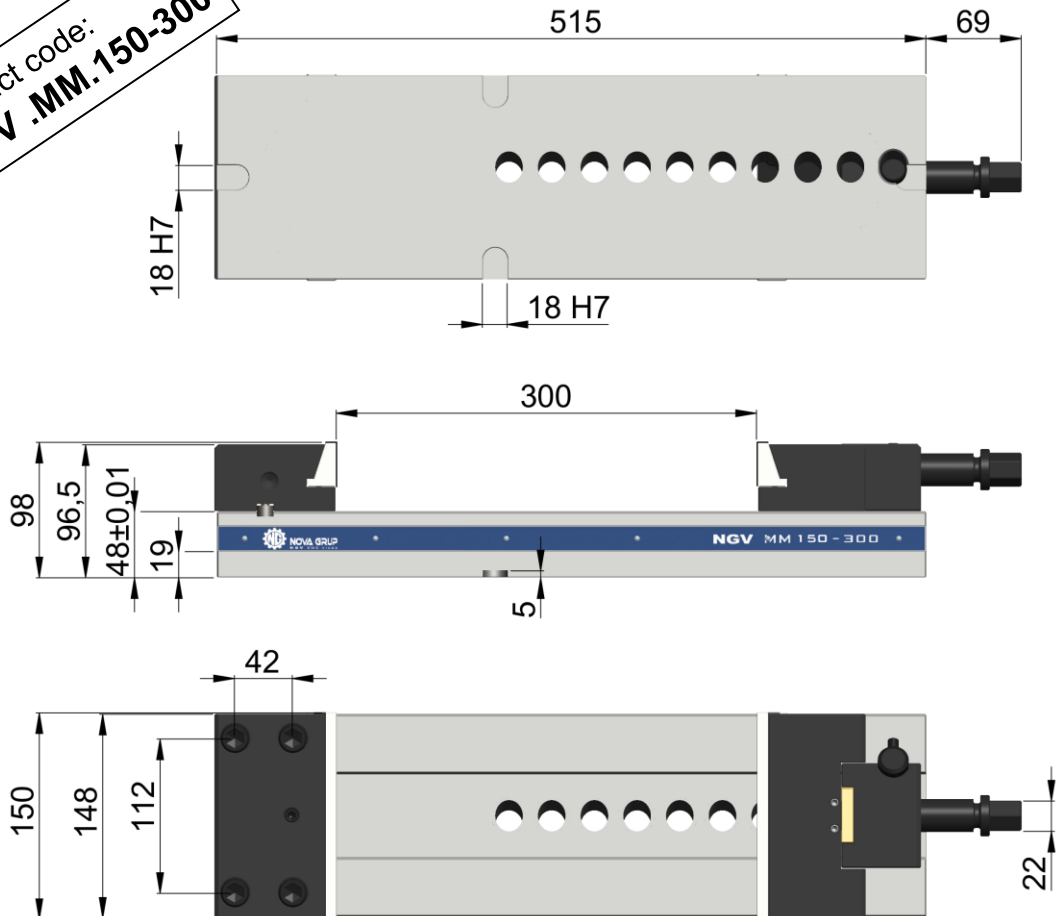


max. runout 0.02/100	Admissible
	0,02mm
	0,04mm
	0,01mm
	$\alpha < 90^\circ$
	$X = 48 \pm 0,01\text{mm}$
	0,01mm



## MECHANICAL VICE

Product code:  
**NGV .MM.150-300**



**Max. force:** 4000 kgf

**Max. opening:** 300 mm

**Jaw width:** 150 mm

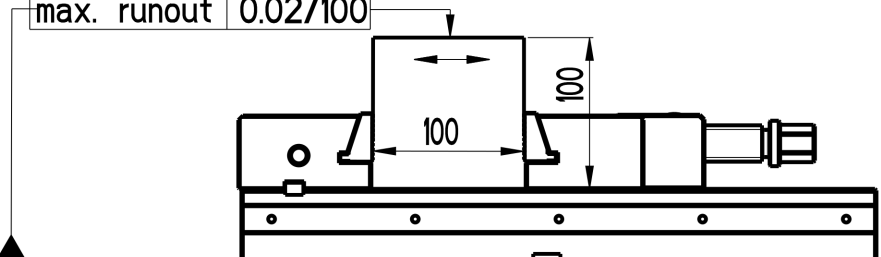
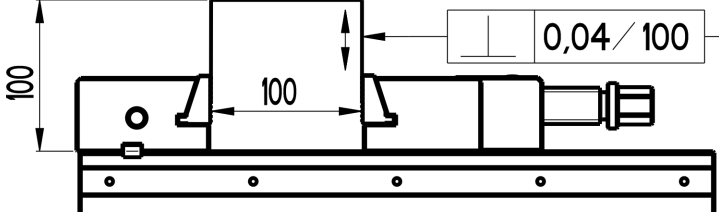
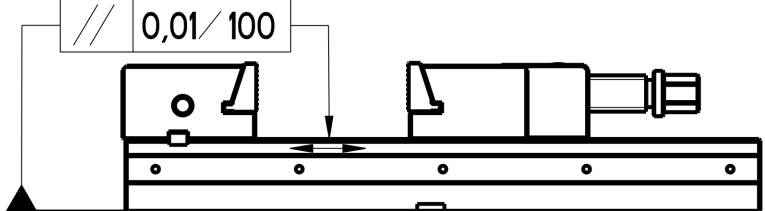
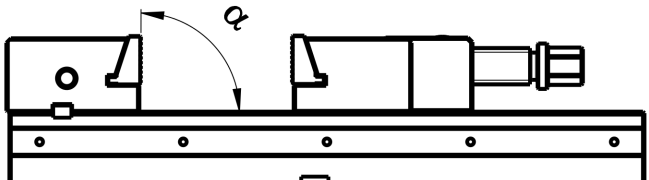
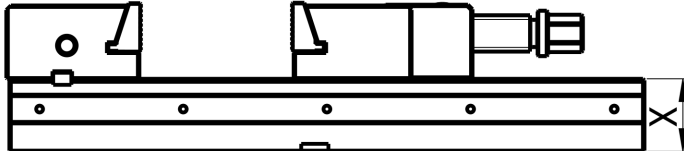
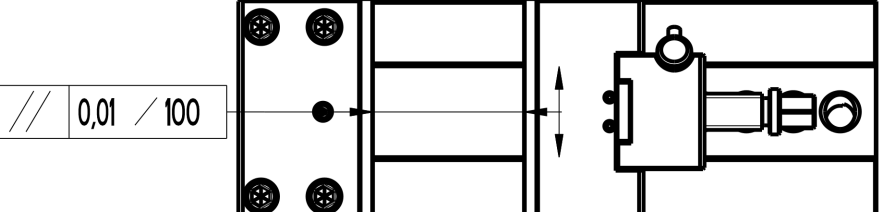
**Amplification:** no

**Type:** precision machine vice

### Accessories

Stopper

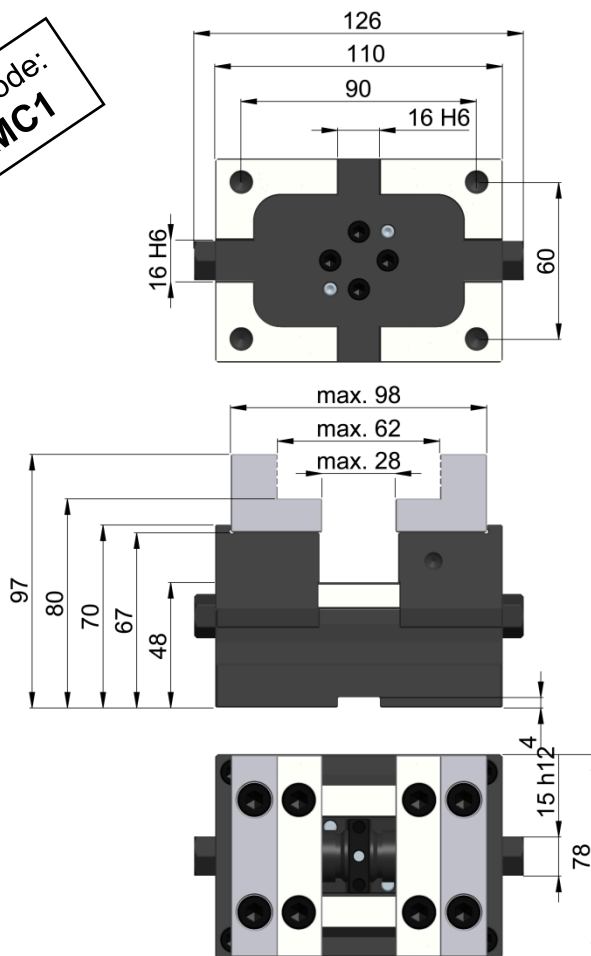


	Admissible
 <p>max. runout 0.02/100</p>	0,02mm
 <p>0,04/100</p>	0,04mm
 <p>0,01/100</p>	0,01mm
 <p><math>\alpha &lt; 90^\circ</math></p>	$\alpha < 90^\circ$
 <p>X: <math>48 \pm 0,01</math>mm</p>	$X: 48 \pm 0,01$ mm
 <p>0,01/100</p>	0,01mm



## CENTRIC VICE

Product code:  
**NGV .MC1**



**Max. force:** 1000 kgf

**Max. opening:** 28 / 62 / 98 mm

**Jaw width:** 78 mm

**Amplification:** no

**Type:** precision centric vice

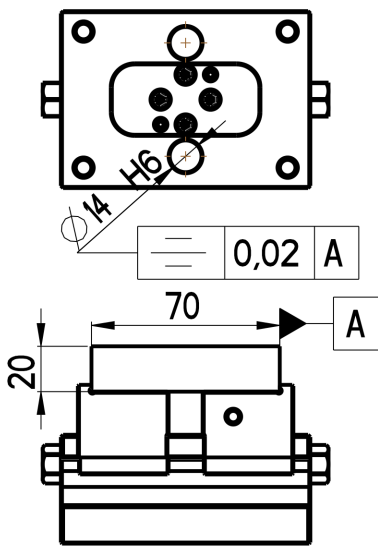
### Accessories

Wide range of jaws

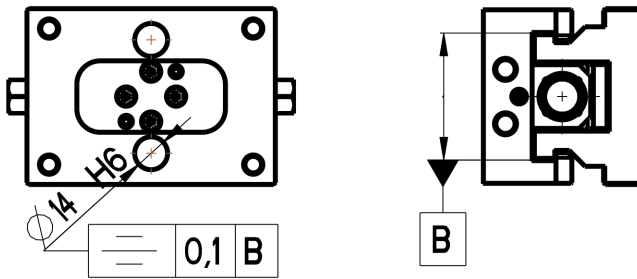
Stopper



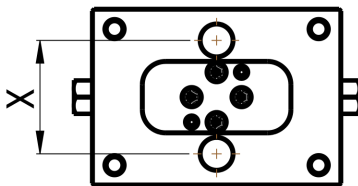
Admissible



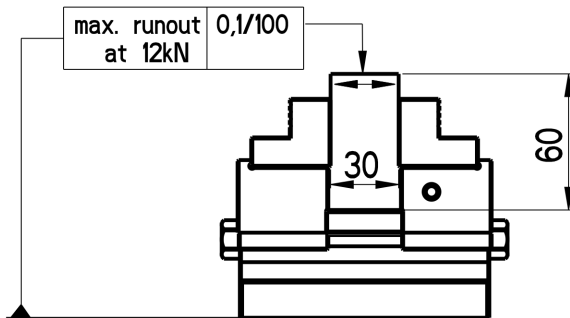
0,02mm



0,02mm



$X=50 \pm 0,01$ mm



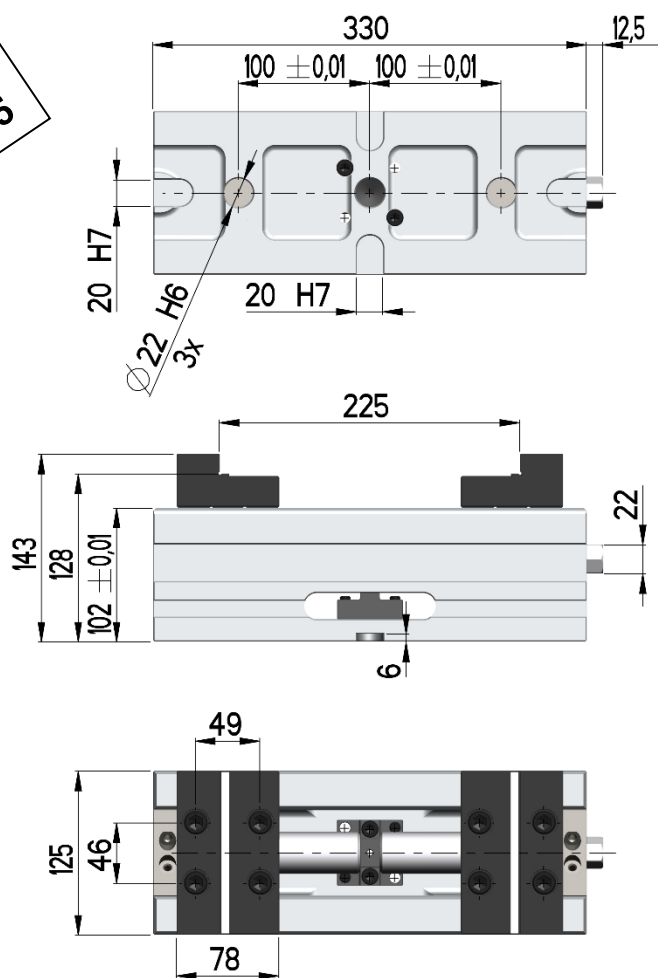
0,1mm





## CENTRIC VICE

Product code:  
**NGV .MC.125**



**Max. force: 3500 kgf**

**Max. opening: 225 mm**

**Jaw width: 125 mm**

**Amplification: no**

**Type: precision centric vice**

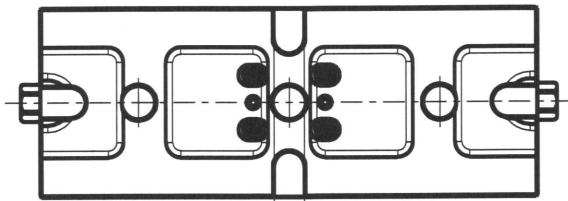
### Accessories

*Wide range of jaws*



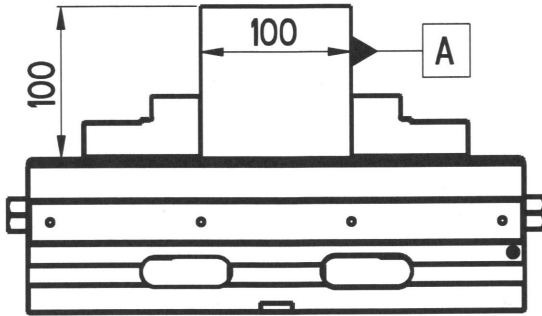
Admis

Masurat

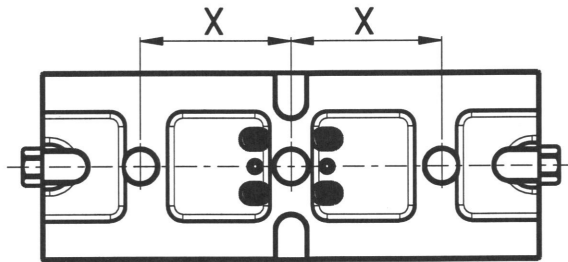


0,015 A

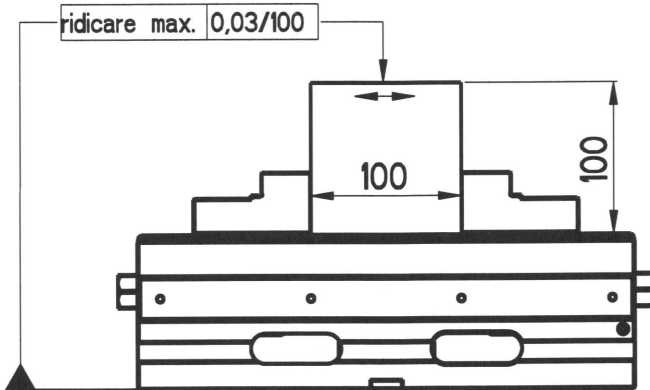
20 H7



0,015mm



$X=100 \pm 0,01\text{mm}$

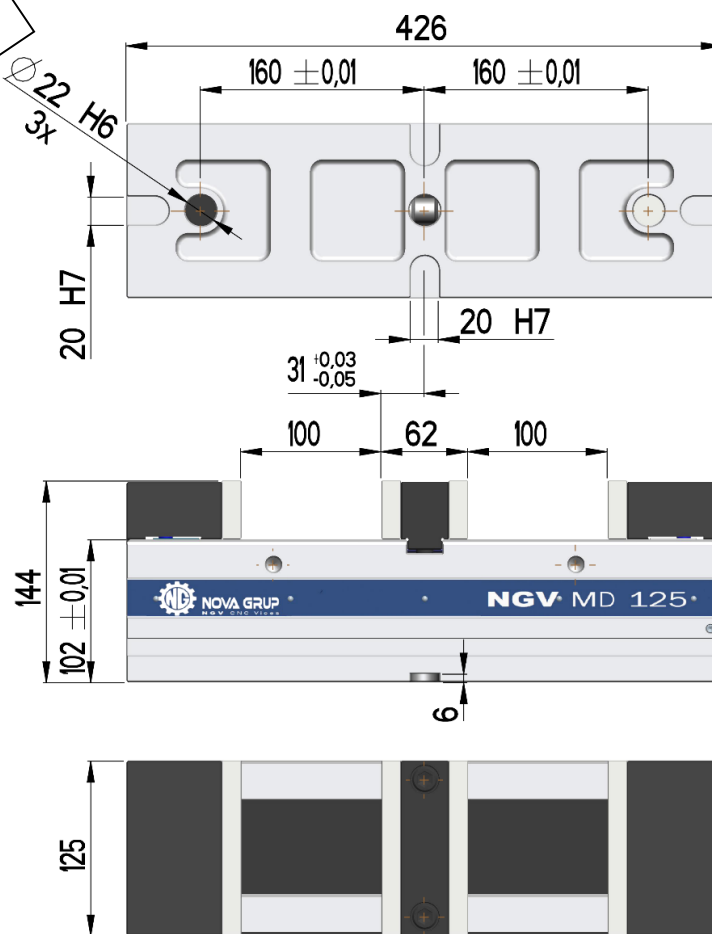


0,03mm



## DOUBLE MECHANICAL VICE

Product code:  
**NGV .MD.125**



**Max. force:** 3500 kgf

**Max. opening:** 100 mm

**Jaw width:** 125 mm

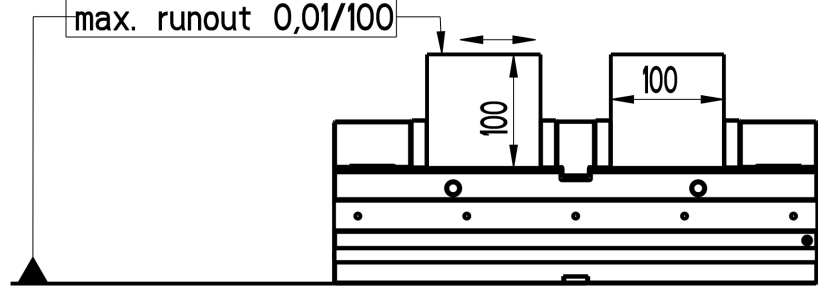
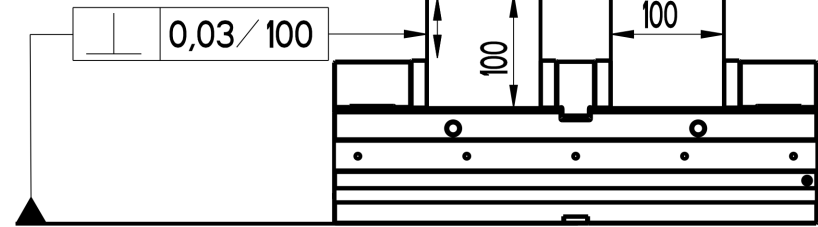
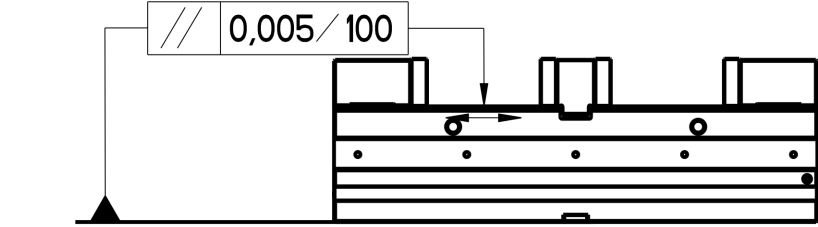
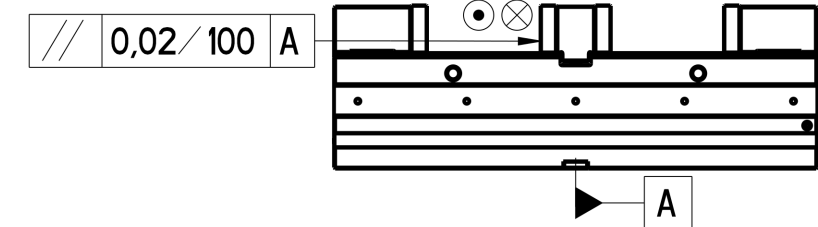
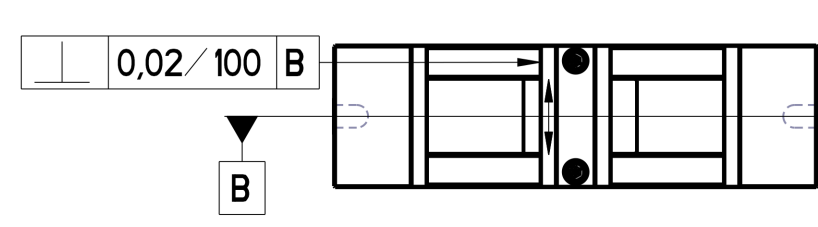
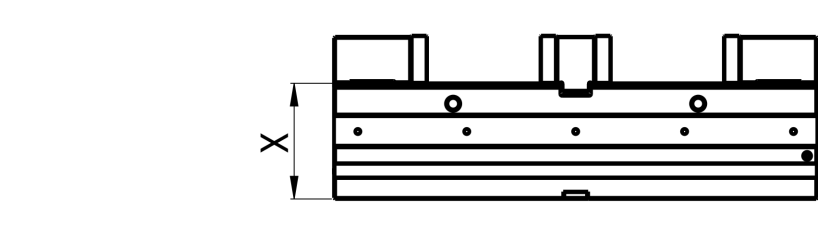
**Amplification:** no

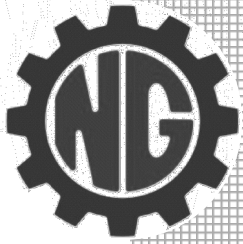
**Type:** precision machine vice

### Accessories

Stopper

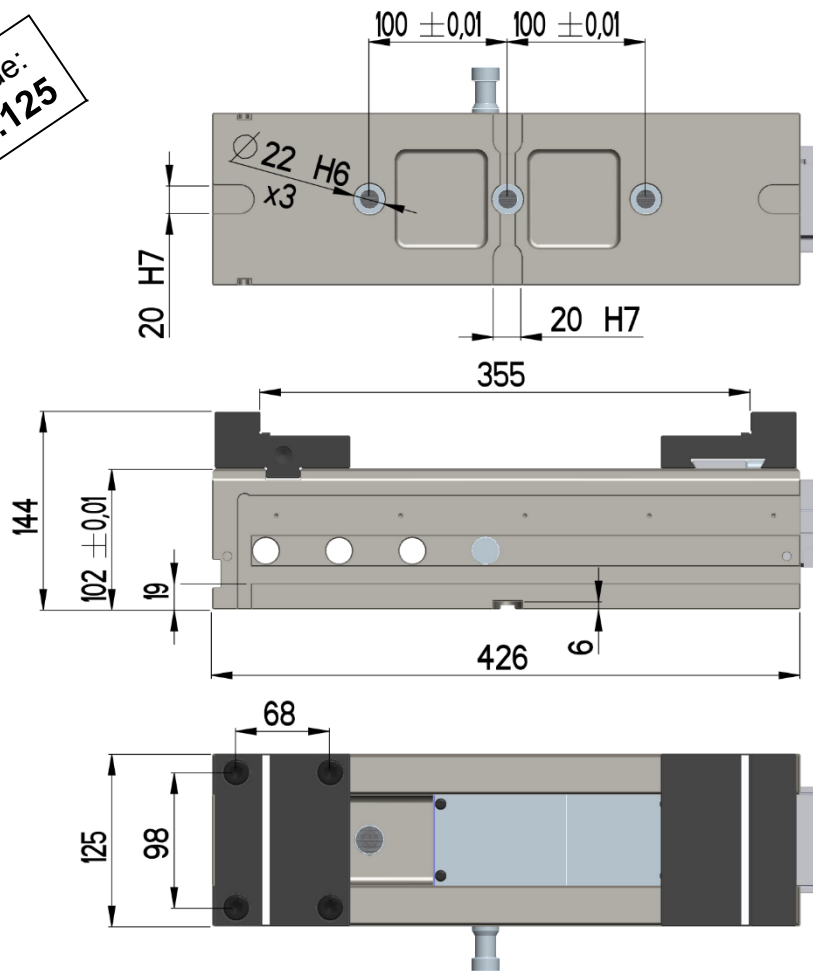


 <p>max. runout 0,01/100</p>	<p>Admissible</p> <p>0,01mm</p>
 <p>0,03/100</p>	<p>0,03mm</p>
 <p>0,005/100</p>	<p>0,005mm</p>
 <p>0,02/100 A</p> <p>A</p>	<p>0,02mm</p>
 <p>0,02/100 B</p> <p>B</p>	<p>0,02mm</p>
 <p>X</p>	<p><math>X=102\pm 0,01\text{mm}</math></p>



## MECHANICAL VICE 125

Product code:  
**NGV .M.125**



**Max. force:** 4000 kgf

**Max. opening:** 355 mm

**Jaw width:** 125 mm

**Amplification:** no

**Type:** precision machine vice

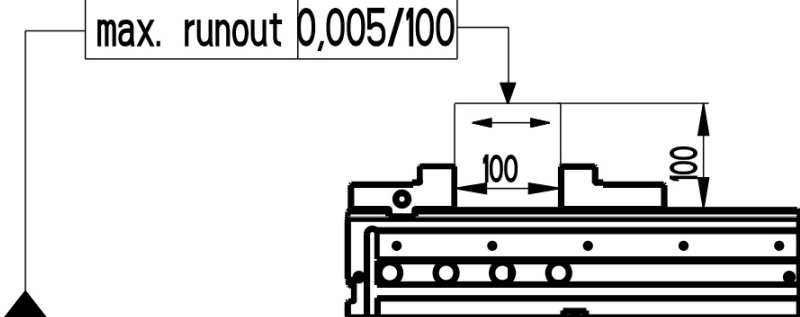
### **Accessories**

Wide range of jaws  
Stopper



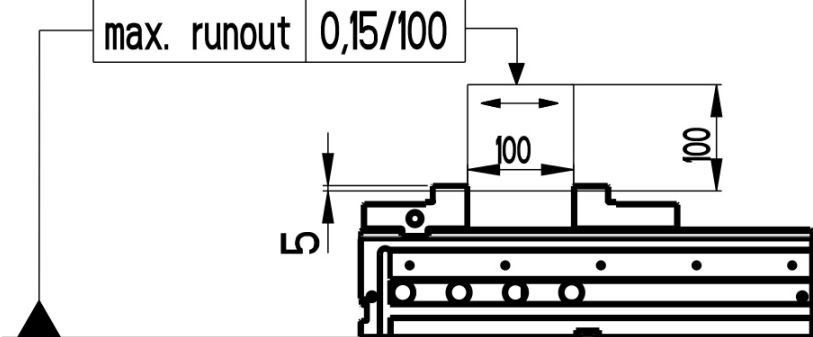
Admissible

max. runout 0,005/100



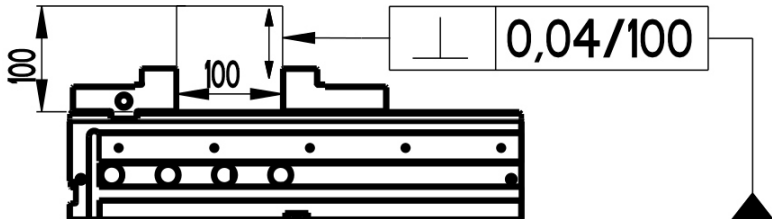
0,005mm

max. runout 0,15/100



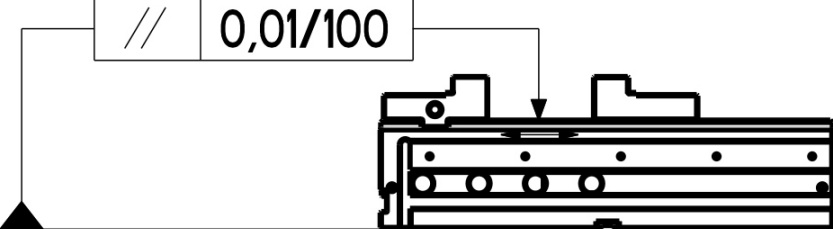
0,15mm

$\perp$  0,04/100

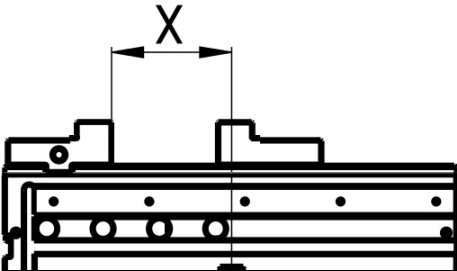


0,04mm

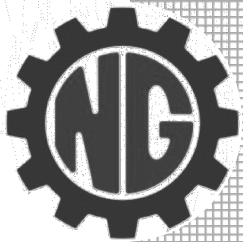
// 0,01/100



0,01mm



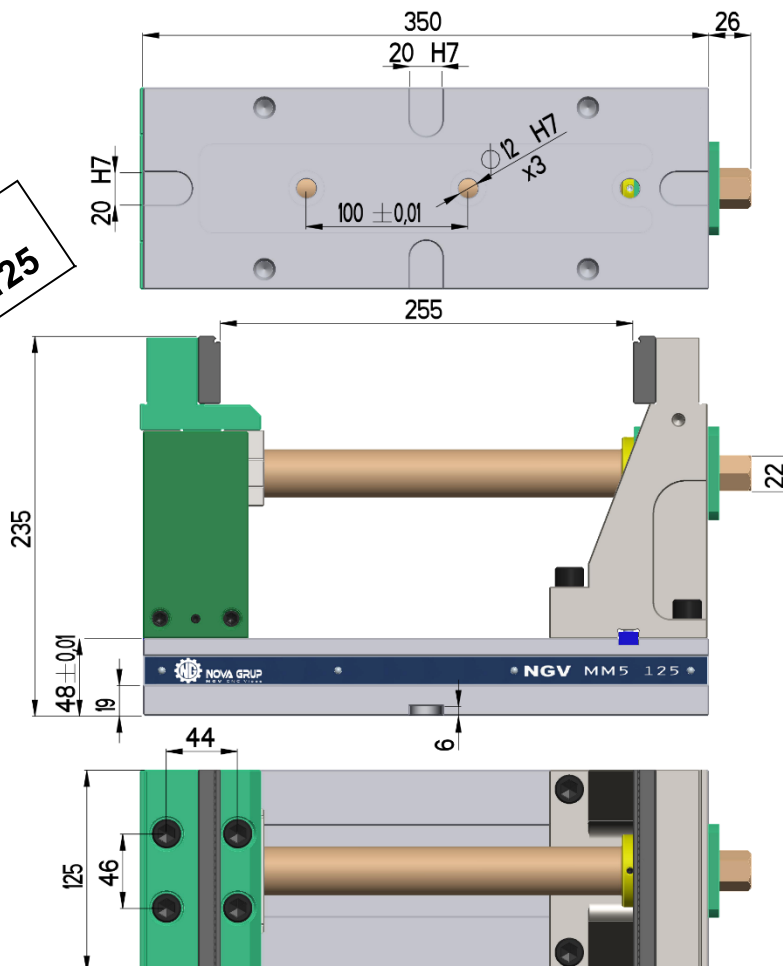
X=122,99-123,041mm



## MECHANICAL VICE

### 5 AXIS

Product code:  
**NGV .MM5.125**



**Max. force: 3556 kgf**

**Max. opening: 255 mm**

**Jaw width: 125 mm**

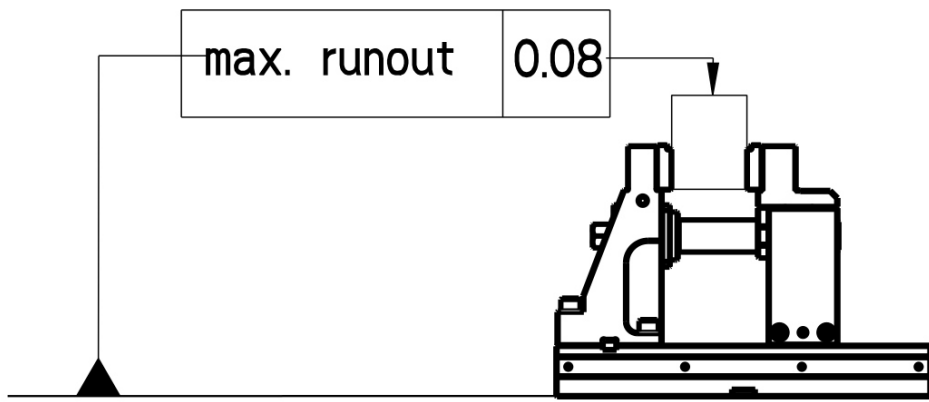
**Amplification: no**

**Type: precision vice for 5 axis machines**

#### **Accessories**

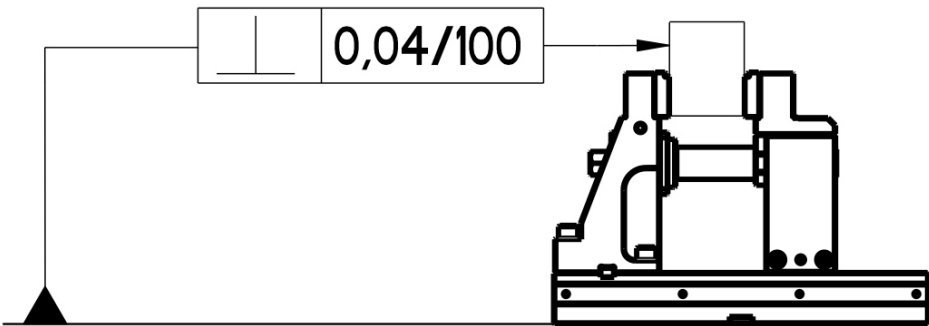
Wide range of jaws

Stopper

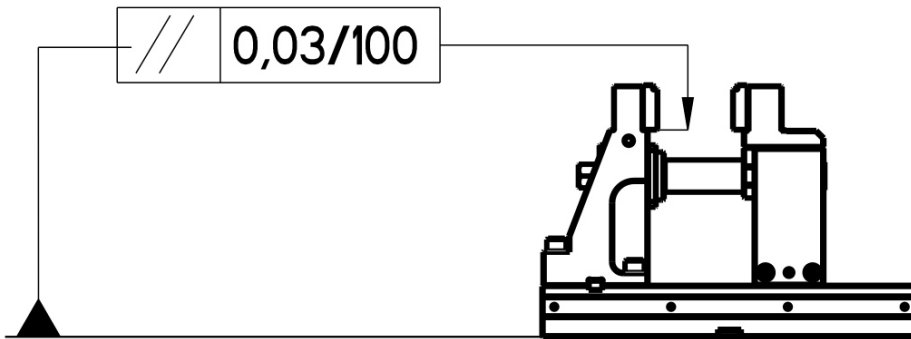


Admissible

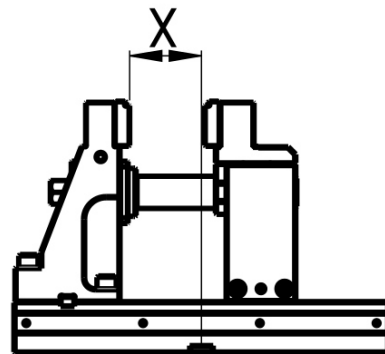
0,08mm



0,04mm



0,03mm



X=66,98-67,03mm