

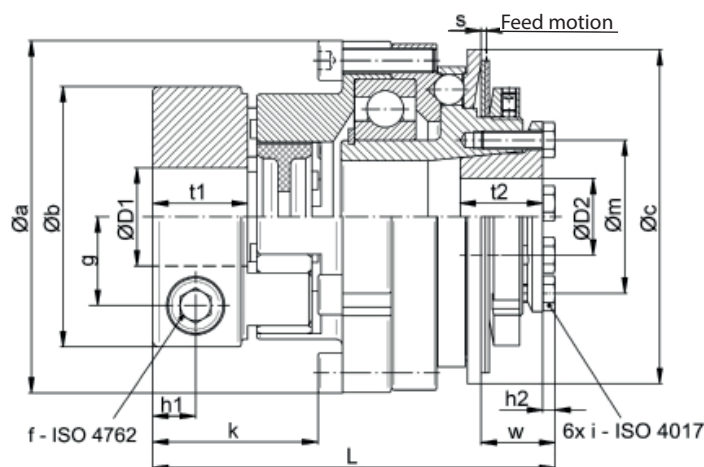
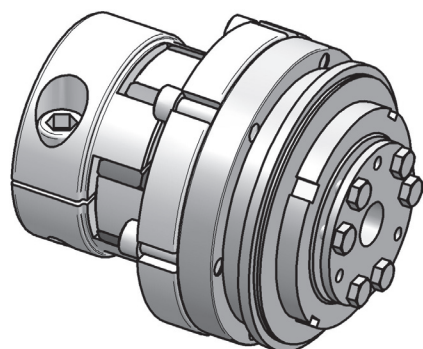
Safety coupling I Series SKY - EK for direct drives

- /// with elastomer attachment for direct drives
- /// with conical clamping hub for small shaft diameters
- /// elastomer coupling with radial clamping hub
- /// plug in, backlash free, flexible, robust, oscillation dampening

Technical data:

SKY -EK size	static disengagement torque T_{KA} [Nm]	moment of inertia $[10^{-3} \text{kgm}^2]$	mass approx. [kg]	torsional stiffness [Nm/arcmin]	max. shaft displacement [mm]		tightening torque of screws		$\varnothing D1$		$\varnothing D2$	
					axial \pm	lateral	„f“ [Nm]	„i“ [Nm]	min	max	min	max
6	2 - 6	0,11	0,4	0,25	0,5	0,1	M5 - 8	M3 - [1,5]	8	20	5	11,5
12	6 - 12								8	20	5	11,5
15	8 - 15	0,45	0,9	1,0	0,5	0,1	M6 - 14	M4 - [3]	12	32	9	17
30	13 - 30								12	32	9	17
45	22 - 45								14	32	10	17
60	25 - 60	1,35	1,7	1,2	1	0,1	M8 - 35	M6 - [12]	16	38	12	24
100	40 - 100								19	38	12	24
150	60 - 150								22	38	14	24
230	80 - 230	5,1	3,7	3,6	1	0,12	*M12-115(90)	M6 - [12]	20	35(42)	18	35
330	130 - 330								24	35(42)	22	35
500	200 - 500	14,5	7,0	8,0	1	0,15	*M14-180(140)	M8 - [30]	30	60(70)	28	44
800	350 - 800								40	60(70)	30	44
1000	500 - 1000	58	16,0	12	1	0,1	*M14-180(140)	M12-[90]	42	60(70)	40	65
2000	800 - 2000	90	22,6	21	1	0,15	M16-290	M12 - [90]	50	90	40	65

sizes 6 - 45: i = ISO 4762 *note: reduced tightening torque for bigger hub bore diameter - see also $\varnothing D1$ max!



Material:

safety part: heat treated steel
 hub: high tensile aluminium
 (size 2000: tempered steel)
 elastomer spider: Polyurethan – 98 Shore-A
 temperature range: -30°C up to +90°C

Dimensions [mm]: length dimensions according to DIN ISO 2768 cH

SKY -EK	$\varnothing a$	$\varnothing b$	$\varnothing c$	g	h1	h2	k*	L ± 1	$\varnothing m$	s	t1	t2	w
6/12	52,5	40	48	13	8	3	33	75	19	0,9	17	15	13,8
15/30/45	69	55	66	20	10	4	39	91,5	27	1,2	21	18	18,5
60/100/150	88	70	83	25	12	4	45	107	36,2	1,6	26,5	24	22,4
230/330	115	85	109	29	14	4	54	131,5	50	1,8	31	27	24
500/800	137	120	132	44	18	5,3	71	164	62	2,5	38	32	34
1000	181	120	185	44	18	7,5	72	194,5	98	3,7	38	45	64,5
2000	181	160	185	55,5	21	7,5	84	206,5	98	3,7	42	45	64,5

- * Note: - other shore-hardnesses of elastomer spider are possible on request
 - coupling side with conical hub see series SKY - ES

Ordering example: SKY - EK 60 - D1 = $\varnothing 32^{G7}$ - D2 = $\varnothing 22^{H7}$ - $T_{KA} = 55 \text{ Nm}$