

Metal Bellows Coupling I Series KPH / KMH / KRH

- // simple installation // split-hub design
- // backlash-free // torsionally stiff // flexible
- // stainless design // variable length

technical data:

Size	KPH KMH KRH nominal torque [Nm]	moment of inertia [10 ⁻³ kgm ²]	torsional stiffness [Nm/arcmin]			max. lateral shaft misalignment [mm]			axial spring rate [N/mm]			lateral spring rate [N/mm]			mass approx. [kg]
			KPH	KMH	KRH	KPH	KMH	KRH	KPH	KMH	KRH	KPH	KMH	KRH	
10	10	0,02	1,7	1,1	-	0,15	0,25	-	70	45	-	60	224	-	0,1
40	40	0,2	9	5,8	10	0,2	0,25	0,2	70	51	170	190	450	170	0,5
80	80	0,5	14	8,7	12	0,2	0,3	0,3	70	49	95	260	650	80	0,8
200	200	1,2	25	17	30	0,2	0,3	0,3	98	80	120	470	1000	120	1,2
400	400	3,0	74	47	80	0,2	0,3	0,3	135	100	260	640	1500	260	2,0
900*	900	8,0	156	105	-	0,2	0,3	-	210	145	-	3050	1000	-	3,3

* KRH not available in this size

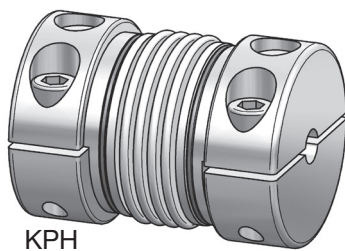
- three types: type KPH with 4-corrugation bellows / type KMH mit 6-corrugation bellows / type KRH mit 2x 1-corrugation bellows.
- note: for coupling types in split-hub design for higher torques and shorter length see series KGH.



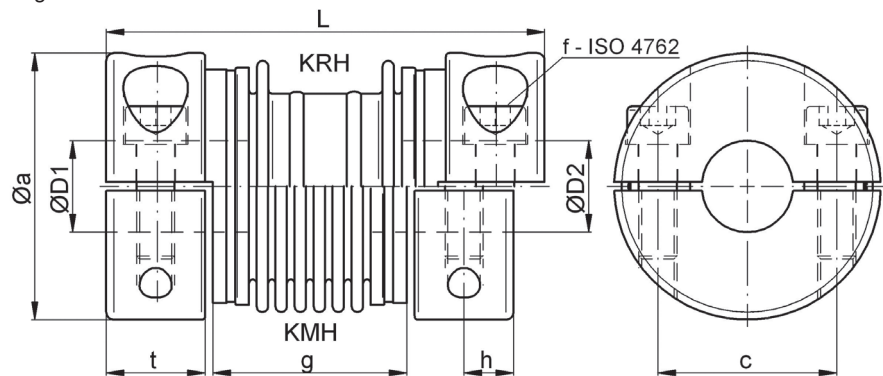
update version

material:
bellows: stainless steel
hubs: high-tensile strength aluminum

screws: ISO 4762 / 12.9
temperature range: -40°C up to 200°C



KPH



Dimensions [mm]: length dimensions according to DIN ISO 2768 cH

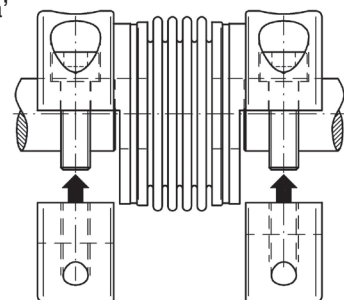
Size	Øa**	c	f-TA	g KPH	g KMH	g KRH	h	L KPH	L KMH	L KRH	t	ØD1/2 min	ØD1/2 max
10	35	21	M5 - 8 Nm	33	43	-	9	73	83	-	18	6	15
40	58	36	M8 - 35 Nm	39	48	51	13	95	104	107	26	9	25
80	75	47	M10 - 65 Nm	41	51	59	13	97	107	115	26	12,5	35
200	89	56	M12 - 115 Nm	45,5	57,5	73	14	106	118	134	28	19	42
400	109	72	M14 - 180 Nm	52,5	67,5	84	15	117	132	149	30	24	55
900	132	94	M14 - 180 Nm	62	78	-	16	132	148	-	31	32	75

** the projecting edge of the screw head is taken into consideration for outer diameter 'a'

Mounting Instructions:

The split-hub design allows for easy assembly. Further simplification during installation is provided because one half of the split hub can be put onto the shaft. The coupling can rest on the two shaft ends. The second half of the split-hub can then be mounted to the coupling by screwing it on from below with the specified tightening torque. This feature makes a "one man assembly" possible.

Important: the distance between the shafts must be bigger than 'g'!



order example: KPH 80 - D1 = 24^{G7} D2 = 30^{G7}
KMH 400 - D1 = 38^{F6} D2 = 48^{F6}