

Metal Bellows Coupling I Series KG-VA

- /// all-stainless steel version up to 350°C /// wear and maintenance free
- /// very short and variable design /// torsionally stiff
- /// simple installation with clamping hub

stainless
steel

technical data:

KG-VA size	T _N [Nm]	moment of inertia [10 ⁻³ kgm ²]	torsional stiffness [Nm/arcmin]		max. shaft misalignment [mm]				axial spring rate [N/mm]		lateral spring rate [N/mm]		mass approx. [kg]
			2W	4W	axial±	lateral	2W	4W	2W	4W	2W	4W	
30	30	0,18	16	9	0,3	0,6	0,1	0,2	130	70	2500	450	0,5
60	60	0,44	26	14	0,3	0,6	0,1	0,2	120	70	3500	600	0,9
100	100	0,74	32	20	0,3	0,6	0,1	0,2	210	110	7000	1200	1,1
180	180	1,22	50	28	0,4	0,7	0,1	0,2	170	95	5000	1000	1,5
280	280	2,6	93	52	0,4	0,8	0,1	0,2	170	90	7000	1300	2,4
500	500	6,0	190	106	0,4	0,8	0,1	0,2	260	140	15000	2800	3,8
1000	1000	24	400	225	0,4	0,7	0,1	0,2	310	160	13000	2100	8,5

Sizes for smaller nominal torque see miniature couplings series MKG-VA
temperature range: -40°C up to +350°C

material:

bellows: stainless steel 1.4571 / A4

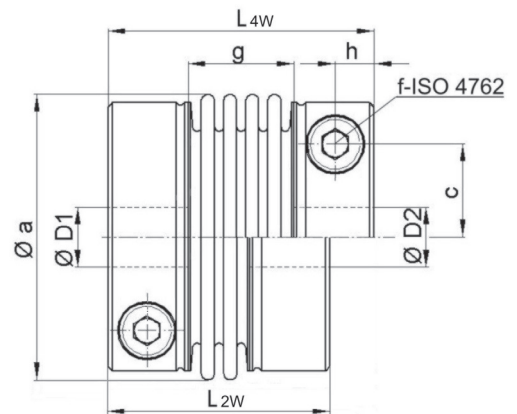
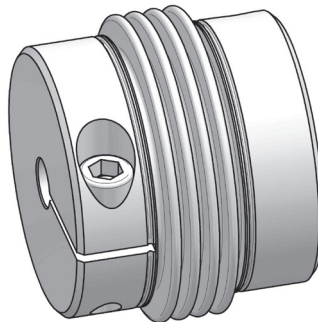
hubs: 1.4301 / A2

screws: ISO 4762 stainless steel / A4-80

optional: ISO 4762 / 12.9



update version



notes: connection between bellows and hub by plasma welding
two standard versions with 4-corrugation bellows 4W or 2-corrugation bellows 2W

Dimensions [mm]: length dimensions according to DIN ISO 2768 cH

KG-VA	Øa	c	f-TA	g		h	L		ØD1/2 min	ØD1/2 max
				2W	4W		2W	4W		
30	56	18,5	M6-9(14)	14	23	7,5	46	55	14(10)	28
60	66	22,5	M8-24(35)	16	24	9	53	61	16(11)	35
100	71	25	M8-24(35)	15	25	9	52	62	24(17)	40
180	82	27,5	M10-45(65)	18	28	11,5	63	73	28(20)	42
280	101	32	M12-80(115)	19	30	12,5	71	82	30(22)	50
500	122	39,5	M14-110(180)	22	37	15	82	97	42(28)	62
1000	157	54	M16-180(280)	23	40	17,5	94	111	54(42)	90

- clamping hubs generally with stainless steel screws A4-80 without EASY-pin - mind reduced actuation torques
- check transmission torques of hub-shaft connection for diameters below Dmin (further inquiry possible)
- optional: coated screws of property class 12.9 for higher clamping forces or torques see values in brackets
- alternative lengths or hub versions available on request

order example: KG-VA 180 / 4W
KG-VA 30 / 2W

D1 = 32^{G7}
D1 = 16^{G7}

D2 = 35^{G7}
D2 = 19^{G7}

- stainless steel screws
- screws - 12.9 - coated