

Elastomer Coupling I Series EKH

with split-hub design / plug-in / backlash-free / stainless

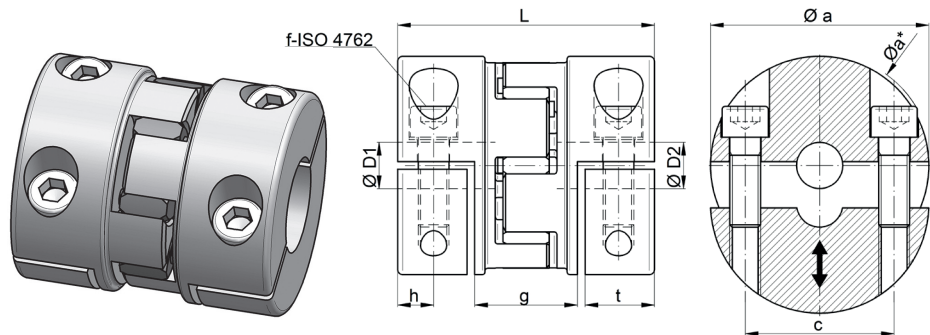
technical data:

EKH	T _N	hardness	moment of inertia	torsional stiffness (stat. 0,5 x T _N)	max. shaft-misalignment (mm)		lateral spring rate	mass approx.	tightening torque of screws
					axial ±	lateral			
size	[Nm]	[Shore]	[10 ⁻³ kgm ²]	[Nm/arcmin]			[N/mm]	[kg]	"f" [Nm]
15	15	98 Sh-A	0,03	0,24	0,5	0,10	2100	0,17	8
20	20	72 Sh-D	0,03	0,46	0,5	0,07	2900	0,17	8
30	30	98 Sh-A	0,09	0,7	0,5	0,10	2500	0,30	14
45	45	72 Sh-D	0,09	1,1	0,5	0,07	3600	0,30	14
60	60	98 Sh-A	0,2	1,0	0,5	0,10	2600	0,50	35
90	90	72 Sh-D	0,2	2,0	0,5	0,07	3700	0,50	35
150	150	98 Sh-A	0,4	1,2	1	0,10	3300	0,75	65
200	200	72 Sh-D	0,4	2,3	1	0,07	4600	0,75	65
300	300	98 Sh-A	1,0	3,6	1	0,12	4500	1,3	115
400	400	72 Sh-D	1,0	7,0	1	0,10	6500	1,3	115
700	700	98 Sh-A	6,0	8,0	1	0,15	7000	3,2	180
1000	1000	72 Sh-D	6,0	12	1	0,10	9600	3,2	180
2000	2000	98 Sh-A	62	21	1	0,15	9000	18,5	290

material:
 elastomer spider: polyurethane
 split-hubs: high tensile aluminum
 (size 2000 heat treated steel)
 screws: ISO 4762 / 12.9 - coated



update version



Dimensions [mm]: length dimensions according to DIN

EKH	Ø a	Ø a*	c	g	h	t	L	f	Ø D 1/2 min	Ø D 1/2 max	Ø D 1/2 prebored
15	40	42	27	26	8,5	16	62	M5	8	20	6,1
20	40	42	27	26	8,5	16	62	M5	10	20	6,1
30	50	52	34	30	10	18	72	M6	10	26	8,5
45	50	52	34	30	10	18	72	M6	15	26	8,5
60	60	63	41	30	11,5	22	78	M8	13	30	12
90	60	63	41	30	11,5	22	78	M8	16	30	12
150	70	76	48	32	14	26	89	M10	18	35	15
200	70	76	48	32	14	26	89	M10	20	35	15
300	85	91	58	40	15	28	102	M12	20	42	18
400	85	91	58	40	15	28	102	M12	24	42	18
700	120	125	90	53	18	34	127	M14	32	70	23
1000	120	125	90	53	18	34	127	M14	42	70	23
2000	160	165	122	64	24	43	156	M16	48	100	30

Installation Instructions:

The split-hub design allows a backlash-free, force-fitted clamping connection with simple operation. Misalignment errors between the input and output shafts can thus be easily controlled and corrected. For easy assembly, the fixed hub halves can be placed on the shaft pegs and the loose hub pieces can be screwed on. In the case of service, the complicated disassembly of the drive and output units isn't necessary. The distance between the drive shaft and the output shaft must be greater than the dimension „g“.

order example: EKH 200 - D1 = 26 ^{G6} D2 = 32 ^{H6}