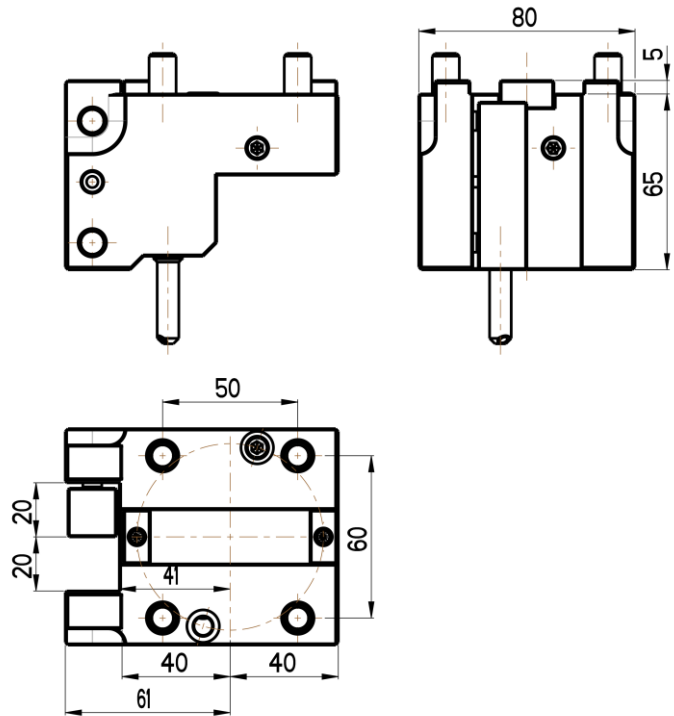
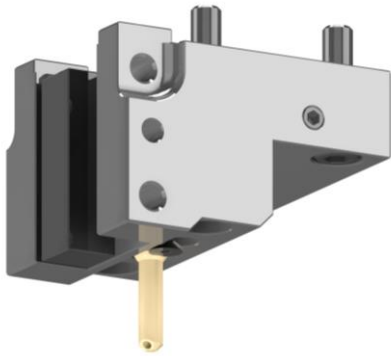
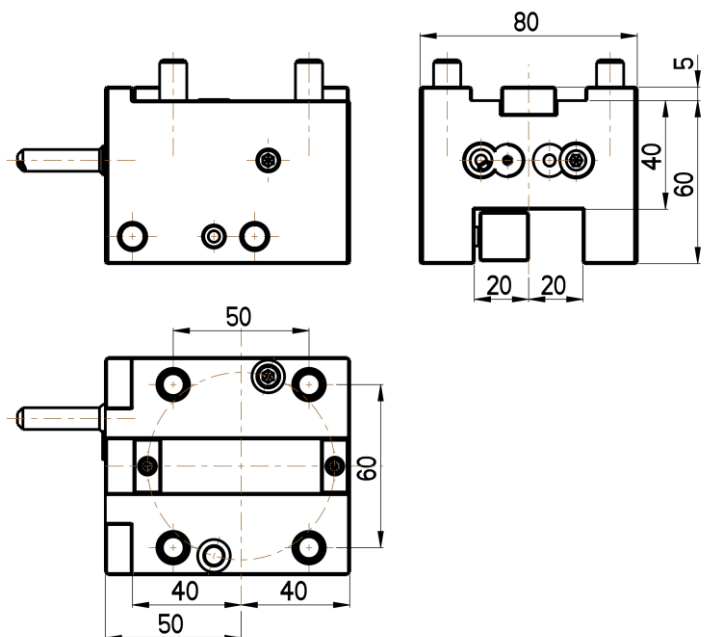
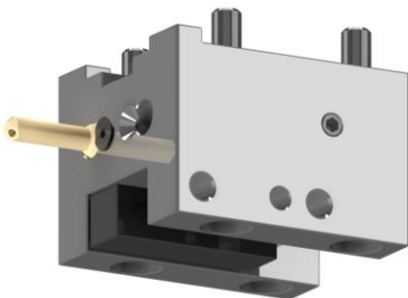


NAKAMURA-TOME BMT55 AS200
 TW10
 WT150, WT250, WTW150, WTS150
 NTM3, NTY3-250
 SUPER NTJ, SUPER NTJX
 SC150M, SC200MY, SC250M
 TW10M, MY, MM, MMY, MMY Y
 TW20M, MY, MM, MMY, MMY Y (16 stations)

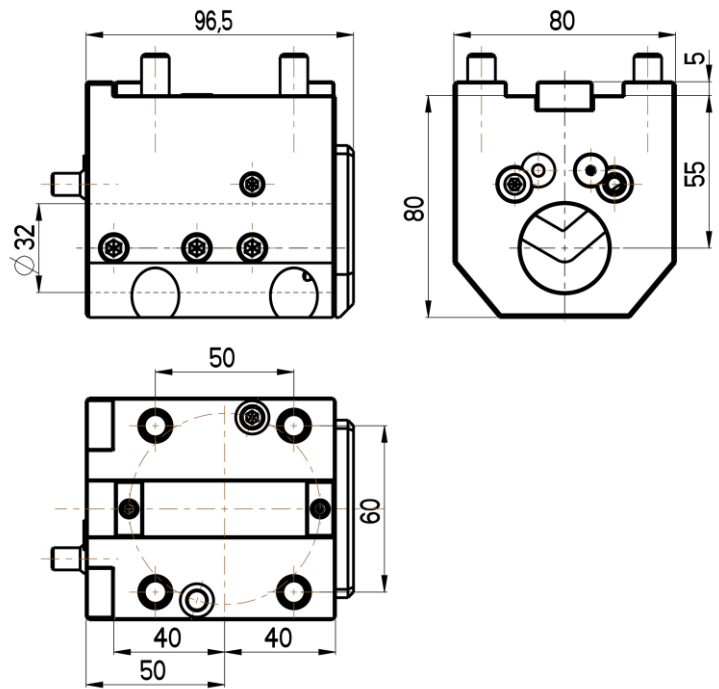
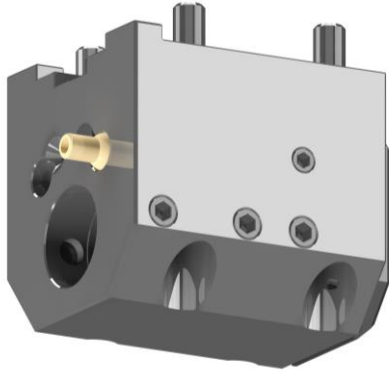
NGT OD-55x20x65(NT)



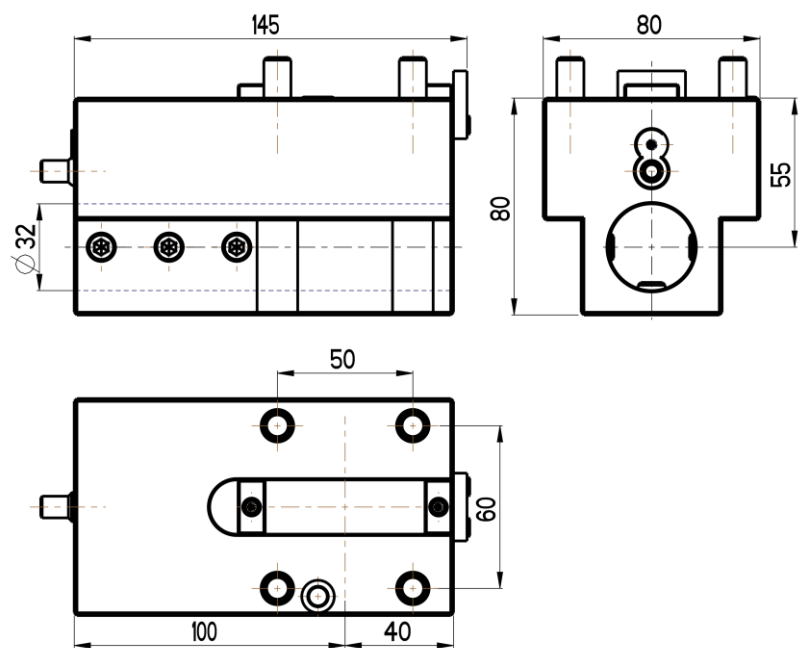
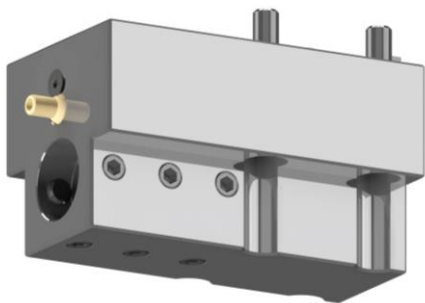
NGT F-55x20x60(NT)



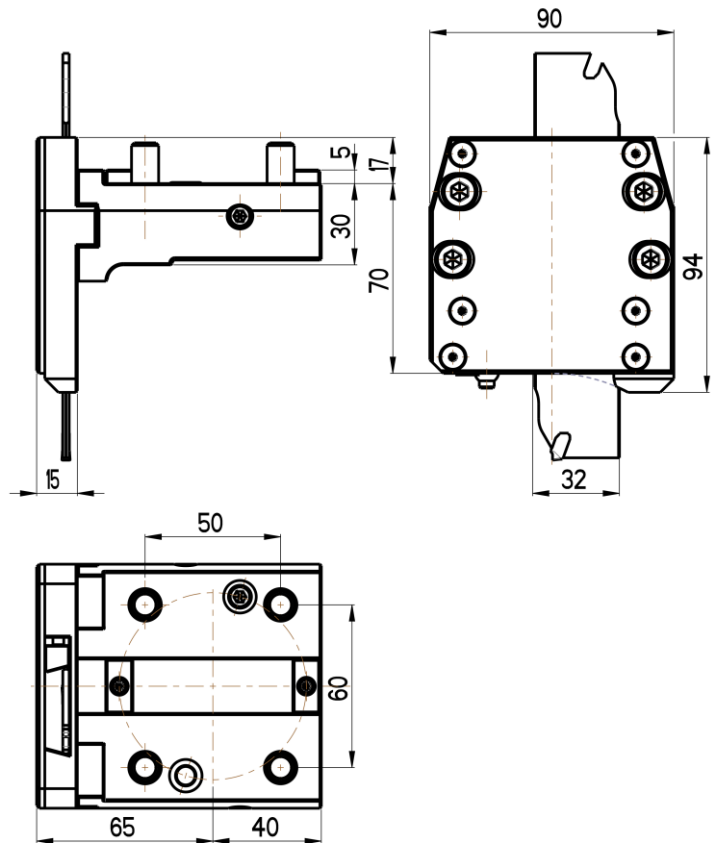
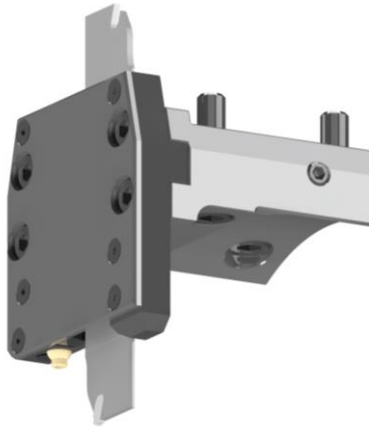
NGT ID-55x32x55S(NT)



NGT ID-55x32x55(NT)



NGT CR-55x32(NT)



NGT CL-55x32(NT)

