



世邦興業股份有限公司
STANNY MACHINE TOOLS CO., LTD.

43750 台中市大甲區東安路108-12號
No. 108-12, Dong' an Rd., Dajia Dist.,
Taichung City 43750, Taiwan.
TEL:886-4-26710805 FAX:886-4-26710807
Http://www.stanny-tool.com
E-mail:stanny88@ms45.hinet.net



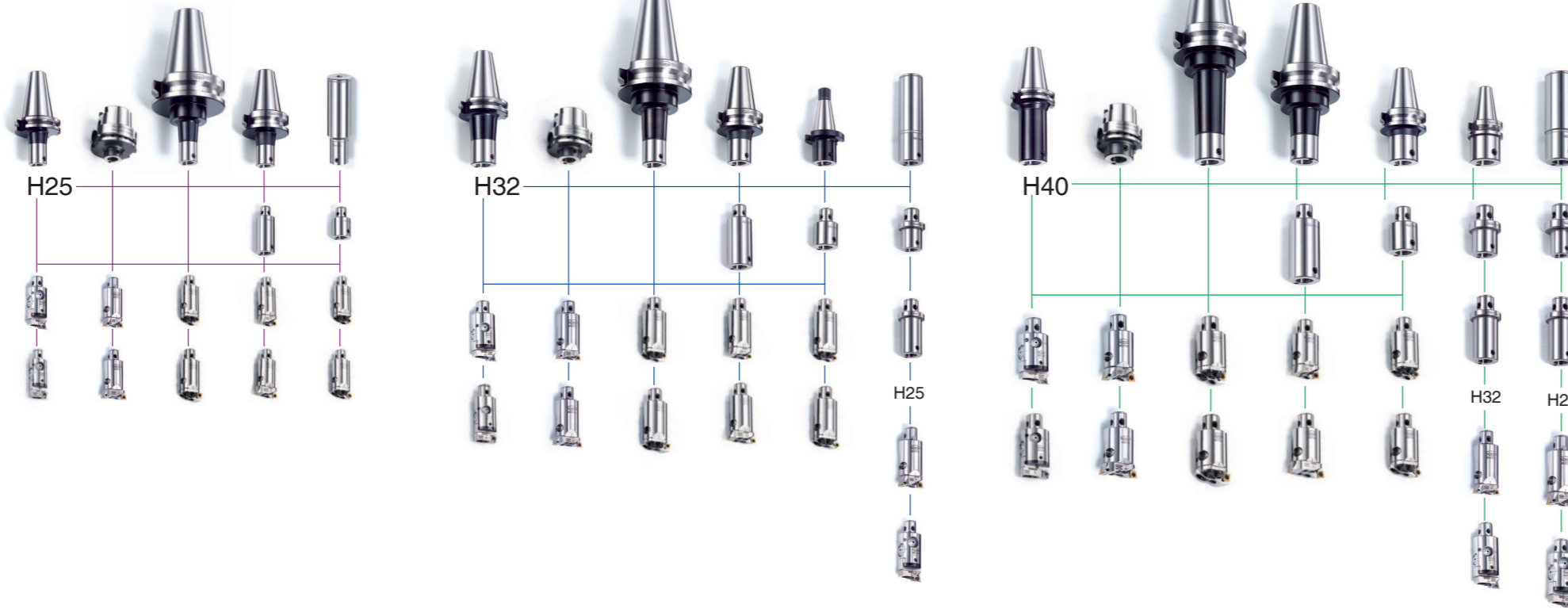
目次 Index

7~13	搪孔刀柄 Taper Shank for Boring System
15~30	雙刃粗搪孔刀系統 Adjustable Twin Cutter Roughing and Semi-Finishing Boring System
32~44	極細微調精搪孔刀系統 Micro-Finishing Cutter Fine Boring System
45~47	小徑精搪孔系統 Small Diameter Boring System
49~55	大孔徑搪孔刀組合系統 Large Diameter Boring System
57~60	微調精搪孔系統 Boring System





搪孔組合系統
Modular Boring System



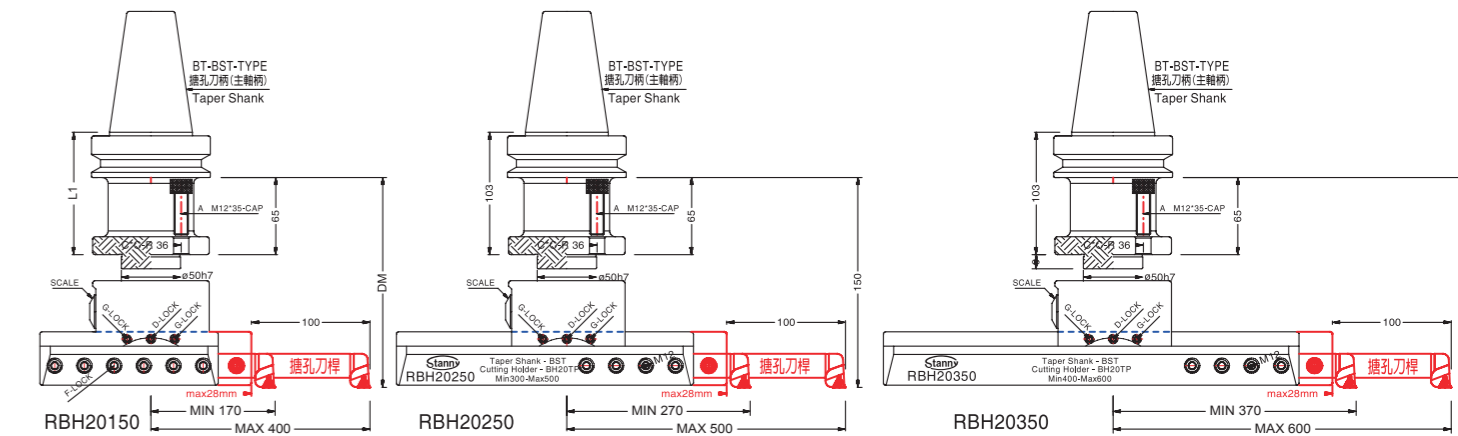
- 雙刃粗搪孔刀有**H•BIT**系統，加工直徑從**ø29~ ø230**
- 極細微調精搪孔刀有**H•BOR**系統，加工直徑從**ø29~ ø150**
- 極細微調精搪孔刀有**H•BOR25P**系統，加工直徑從**ø2~ ø7**
- 極細微調精搪孔刀有**H•BOR32P**系統，加工直徑從**ø2~ ø9**
- 極細微調精搪孔刀有**H•BOR40P**系統，加工直徑從**ø2~ ø9**
- 極細微調精搪孔刀有**H•BOR50P**系統，加工直徑從**ø11~ ø32**
- 極細微調精搪孔刀有**H•BOR63P**系統，加工直徑從**ø11~ ø32**
- 極細微調精搪孔刀有**H•BOR50**系統，加工直徑從**ø6~ ø90**
- 極細微調精搪孔刀有**H•BOR63**系統，加工直徑從**ø6~ ø150**
- 極細微調精搪孔刀有**H•BOR63**搪外徑系統，加工直徑從**0~ ø100**
- 大孔徑粗搪孔刀有**B•BIT**系統，加工直徑從**ø160~ ø510**
- 大孔徑精搪孔刀有**B•BOR**系統，加工直徑從**ø150~ ø517**
- 小徑精搪孔刀有**H•NB16**系統，加工直徑從**ø6~ ø51**

- "H•BIT" is the series for adjustable twin-cutter roughing and semi-finishing boring system, in which diameter ranges from ø29 to ø230
- "H•BOR" is the series for micro-finishing cutter fine boring system, in which diameter size ranges from ø29 to ø150.
- "H•BOR25P" is a set that refers to micro-finishing cutter fine boring system in which diameter size ranges from ø2 to ø7.
- "H•BOR32P" is a set that refers to micro-finishing cutter fine boring system in which diameter size ranges from ø2 to ø9.
- "H•BOR40P" is a set that refers to micro-finishing cutter fine boring system in which diameter size ranges from ø2 to ø9.
- "H•BOR50P" is a set that refers to micro-finishing cutter fine boring system in which diameter size ranges from ø11 to ø32.
- "H•BOR63P" is a set that refers to micro-finishing cutter fine boring system in which diameter size ranges from ø11 to ø32.
- "H•BOR50" is a set that refers to micro-finishing cutter fine boring system in which diameter size ranges from ø6 to ø90.
- "H•BOR63" is a set that refers to micro-finishing cutter fine boring system in which diameter size ranges from ø6 to ø150.
- "H•BOR63" is a set that refers to micro-finishing cutter fine outer diameter boring system in which diameter size ranges from 0 to ø100
- "B•BIT" is the series for large diameter adjustable twin-cutter roughing and semi-finishing boring system, in which diameter ranges from ø160 to ø510.
- "B•BOR" is the series for large diameter finishing cutter fine boring system, in which diameter size ranges from ø150 to ø517.
- "H•NB16" is a set that refers to small diameter boring system in which diameter size ranges from ø6 to ø51.

BST-RBH

微調精搪孔系統
Boring System

搪孔刀柄 Taper Shank
精搪孔刀本體 Body
精搪孔刀桿 Cutting Bar



BST-RBH微調精搪孔系統 – 搪孔刀柄
BST Taper Shank for RBH Boring System

訂貨編號 Order No.	規格 Model	L1	搪孔深度 DM	淨重 N.W.
20811510	BT50-BST100	100	150	5.75
20811515	BT50-BST150	150	200	6.75
20811520	BT50-BST200	200	250	7.75
20811525	BT50-BST250	250	300	8.75

RBH微調精搪孔系統 – 精搪孔刀本體
Body for RBH Boring System

訂貨編號 Order No.	規格 Model	範圍 D Boring Range øDmin-øDmax	滑座外徑 Body Diameter	刀徑 Cutting Bar	扳手 Wrench	搪孔刀柄 Taper Shank	淨重 N.W.
20870080	RBH20150	170-400	ø150	□20	○4 ○6	BST	4.88
20880080	RBH20250	270-500	ø250	□20	○4 ○6	BST	5.90
20890080	RBH20350	370-600	ø350	□20	○4 ○6	BST	7.35

RBH微調精搪孔系統 – 精搪孔刀桿
Cutting Bar for RBH Boring System

訂貨編號 Order No.	規格 Model	刀徑 Cutting Bar	刀片 Insert	螺絲 Bolt	扳手 Wrench	淨重 N.W.
20020150	BH20TP	□20	TPGH1103.L	SB-3TR-M3	T8	0.45

