

# Bellows made of Theku 100

## Questionnaire



For preparing the best possible quotation we ask to provide the information requested bellow:

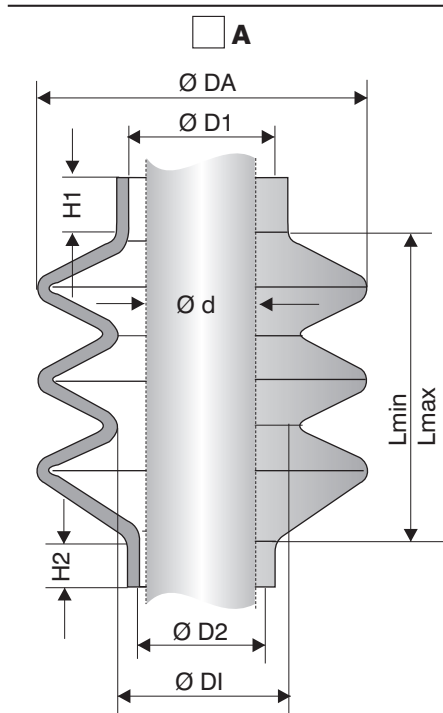
One-time requirement ..... units      Annual requirement ..... units      Lot size ..... units

Where do you wish to use the bellows? .....

Use:       horizontal     vertical     inclined     indoor     outdoor

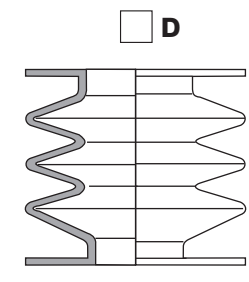
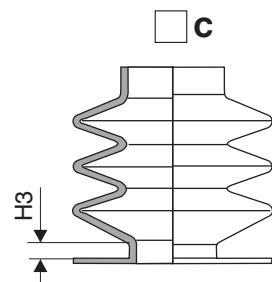
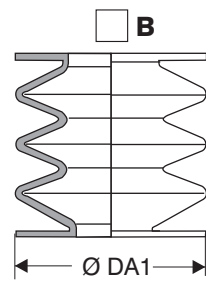
Temperature range from -.....°C to +.....°C

Work cycles/min .....       Work hours per day .....



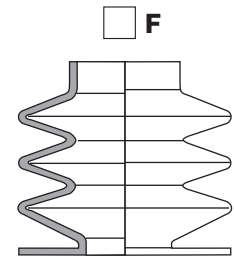
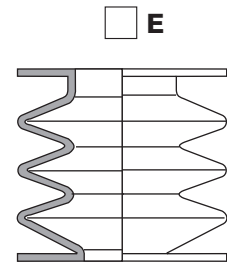
### What media will the bellows be exposed to?

	Inside	Outside	Permanently	Sometimes
<input type="checkbox"/> Dust .....	<input type="checkbox"/>	<input type="checkbox"/>	<input type="checkbox"/>	<input type="checkbox"/>
<input type="checkbox"/> Water .....	<input type="checkbox"/>	<input type="checkbox"/>	<input type="checkbox"/>	<input type="checkbox"/>
<input type="checkbox"/> Oil/Grease, namely .....	<input type="checkbox"/>	<input type="checkbox"/>	<input type="checkbox"/>	<input type="checkbox"/>
<input type="checkbox"/> Acid, namely .....	<input type="checkbox"/>	<input type="checkbox"/>	<input type="checkbox"/>	<input type="checkbox"/>
<input type="checkbox"/> Leaches, namely .....	<input type="checkbox"/>	<input type="checkbox"/>	<input type="checkbox"/>	<input type="checkbox"/>
<input type="checkbox"/> Spatters .....	<input type="checkbox"/>	<input type="checkbox"/>	<input type="checkbox"/>	<input type="checkbox"/>
<input type="checkbox"/> Pressure ..... bar .....	<input type="checkbox"/>	<input type="checkbox"/>	<input type="checkbox"/>	<input type="checkbox"/>



**!** Please tick the desired type and specify the dimensions.

- |            |    |           |    |
|------------|----|-----------|----|
| d .....    | mm | DI .....  | mm |
| Lmin ..... | mm | DA .....  | mm |
| Lmax ..... | mm | DA1 ..... | mm |
| D1 .....   | mm | H1 .....  | mm |
| D2 .....   | mm | H2 .....  | mm |
|            |    | H3 .....  | mm |



**On request:**     Zipper     Velcro     Air vents

Company: .....  
 Your name: .....  
 Address: .....  
 Postal code/City: .....  
 Country: .....

Phone: .....  
 Fax: .....  
 eMail: .....  
 www: .....