

HAND TOOLS



WE GENERATE EXCITEMENT.

Since its founding by Andreas Maier in 1890, our company has lived through many exciting times. Today we are the leading manufacturer in Europe, supplying over 5,000 different products from the fields of clamping, hand tools and locks. With this extensive product range we can meet all of our customers' needs and requirements. But providing optimal quality means meeting the challenges at all levels: Expert consultation, modern team organisation, individual solutions (including special developments), flexibility in response to changing conditions, etc. And we ourselves find this so exciting that we look forward every day to shaping the market together with our employees and our customers – both now and in the future. That is something you can count on.

COMPANY HISTORY

- 1890** Company founded as a lock manufacturer by Andreas Maier.
- 1920** Product range extended to include spanners.
- 1928** Production line assembly of „Fellbach locks“.
- 1951** AMF introduces clamping elements and diversifies into workpiece and tool clamping technology.
- 1965** Toggle clamps extend the AMF product range. AMF catalogues are now printed in ten languages.
- 1975** Further specialisation into hydraulic clamping technology.
- 1982** Clamping and fixture systems round off AMF's clamping expertise.
- 1996** AMF team organisation in all sectors of the business. Quality management with certification to ISO 9001.
- 2001** AMF Service Guarantee for all products.
- 2004** Introduction of the ZPS zero-point clamping system.
- 2007** The magnetic clamping technology extends the AMF product range.
- 2009** Development and marketing of AMF Vacuum clamping technology
- 2012** Marking and cleaning tools included in the AMF product range.



5 Individual development

And if the product you need doesn't exist? Just ask us: We will find the best solution for you – whether it is a special version or a completely new development.

4 Warranty

We stand by our high quality standards. We handle customer complaints very liberally and without red tape – whenever possible even after the end of the warranty period.

3 Guaranteed quality standard

AMF stands for manufacturing in-house with the utmost care. A tradition we have upheld since 1890 – and naturally for many years now with a modern quality management system to ISO 9001.

2 Short delivery times

AMF's finished goods inventory with over 5,000 items guarantees a delivery readiness of 98%. You can also count on each warehouse item you order being shipped to you on the same day.

1 Service from genuine experts

„Different tasks, different solutions. In AMF's professional product range, you can find the right solution quickly and reliably: either from your local dealer or with help from the specialists in our teams. A phone call is all it takes.“

E Made in Germany

It goes without saying that our range of products is developed and manufactured by our team of employees in Germany.

MANAGING DIRECTORS

> Johannes Maier
Volker Göbel

THE AMF SERVICE GUARANTEE

> Assuredly on the way to the top

PRODUCTS ON THE COVER

Hinged hook wrench with nose No. 775NI, page 48 · Hinged hook wrench with pin No. 776C, page 49 · Workshop stand No. 906QE-WM7, page 11

<p>HEXAGON KEYS (METRIC)</p>		<p>9 - 20</p>
<p>HEXAGON KEYS WITH PILOT, BALL-ENDED HEXAGON KEYS (METRIC), COLOR BALL-ENDED HEXAGON KEY 100°</p>		<p>21 - 30</p>
<p>HEXAGON KEY (INCH)</p>		<p>31 - 34</p>
<p>TORX-SCREWDRIVERS</p>		<p>35 - 41</p>
<p>HOOK WRENCHES</p>		<p>42 - 50</p>
<p>PIN WRENCHES</p>		<p>51 - 56</p>
<p>WRENCHES FOR MACHINE TOOLS</p>		<p>57 - 60</p>
<p>SOCKET SPANNERS</p>		<p>61 - 63</p>
<p>OPEN-ENDED SPANNERS, COUPLING WRENCH</p>		<p>64 - 65</p>
<p>CUSTOMER SPECIALS</p>		<p>67 - 69</p>



HINGED PIN WRENCH, OFFSET

No. 764CC, page 53

COLOR BALL-ENDED TORX KEY - KEY HOLDER

No. 918-HT8F, page 39



BIKETOOL COLOR

No. 906F, page 9



with TORX T25



BALL-ENDED HEXAGON KEY - KEY HOLDER, STAINLESS STEEL

No. 911LG-HM9NI, page 27

**ADJUSTABLE FACE SPANNER
STAINLESS STEEL**

No. 758NI, page 51



WE GENERATE EXCITEMENT - ON YOUR MOBILE DEVICE TOO



The "Clamping technology APP" offers you an overview of AMF's exciting clamping product range. No matter whether mechanical, pneumatic, hydraulic or magnetic clamping technology, as well as vacuum and zero point clamping systems - all the products are presented in detail in this APP, and you can see the numerous application options of AMF clamping technology at a glance.

All products can be downloaded as 2D and 3D CAD models, and be conveniently imported into all standard CAD programs.

Also stay up-to-date and read our news and PDF catalogues on your mobile device.

Test it now by downloading our clamping technology APP free-of-charge from the Apple App Store or Google Play.

**THE CLAMPING TECHNOLOGY APP -
FIND PRODUCTS, DOWNLOAD
CAD DATA, STAY INFORMED...**



YOU NEED AN ADVERTISING OR COMPANY IMPRINT? NO PROBLEM!

All conventional or T-handle screwdrivers in this catalogue can be printed with your individual advertising or company imprint in any desired colour, or in several colours, using the very economical tampon printing process.

If you need a quotation for larger quantities, please let us know how many you require and give details of your imprint (single or multicoloured).



SPECIAL TOOLS MADE TO YOUR SPECIFIC REQUIREMENTS!

We will manufacture special tools in an extraordinary variety of forms and sizes to the very highest quality.

MADE-TO-MEASURE.

One of our specialities is the manufacturer of special hand tools to the individual needs of the customer. Technical perfection is our standard!

THE CONSEQUENCES OF THIS QUALITY:

- long working life
- precise application of force, and thus
- the greatest possible safety for the user

The latest production methods in our own works. If you need it, we can make it!

More starting on page 67!



Subject to technical alterations.

1 > QUALITY FROM AMF

There are very good reasons why a discriminating user should choose the best quality screwdriving tools:

- > rigorous quality control ensures uniform standards
- > seen as a whole, more economical, because the unproductive time spent while tools are issued is reduced to the essential minimum
- > in sizes up to ca. 6 A/F, the torque that can be applied by hand may be higher than the test torque that is specified in the relevant standard, with the result that:
 - the wrench deforms, but only breaks under very unfavourable conditions, a modest, but valuable contribution is made to safety in the workplace;
- > the true value of quality tools can only be seen in real, practical use



2 > MATERIAL

Highly alloyed chrome-vanadium steel

- > tested steel sections in verifiably uniform quality from trusted suppliers ensure low wear for a long working-life.

3 > MANUFACTURE

- > end faces machined
- > end face up to 10 mm jaw opening chamfered process-sure
- > inspection by sampling at all stages of production

4 > EXECUTION

Hardness to DIN standards

- > the values of minimum torque specified for tightening screws up to grade 12.9 are achieved or exceeded.

5 > SURFACE FINISH:

- > blued (version C)
- > nickel-plated (version D)



AN ATTRACTIVE, PRACTICAL AND HANDY ADVERTISING MEDIUM!

In your contacts with customers, there will frequently be occasions when a token of appreciation is helpful.

The SCHRAUB-boy is a sure way of achieving customer awareness. It is not only attractive, practical and handy, but also of outstanding quality. The body can be supplied in other RAL colours.

All SCHRAUB-boys can be supplied, in quantities of 100 or more, printed with your company or advertising imprint (in one or more colours) applied by the tampon printing process, just as you require.

Give your business partners a SCHRAUB-boy Real quality as an advertising medium will bring you recognition and long-term success.



**THE IDEAL BUSINESS GIFT -
USEFUL, HANDY, VALUABLE.**



No. 906F

Biketool Color

10-part multifunction tool in a practical pocket format, packed in a handy protective sleeve.

The professional tool, especially for your bicycle tour and much more, with **Torx T25**.

Blades: CHROME VANADIUM hardened and **colour-anodised**.

Housing: black aluminium with AMF logo.

Fits in every trouser pocket, backpack, bicycle bag...

NEW!



Order no.	L x W x H	Weight [g]
44008	88 x 45 x 15	135

Design:

7 hexagon keys:
SW 2 - 2.5 - 3 - 4 - 5 - 6 and 8 mm
2 screwdrivers: + PH2 / -1 x 5
1 TORX screwdriver: T25

with TORX T25

No. 910

SCHRAUB-boy (metric)

Blades: CHROM VANADIUM, hardened and **nickel-plated**.

Body: powder-coated steel.



Order no.	Size	L x W x H	Weight [g]
44875	M6	95 x 28 x 25	180
44800	M8	95 x 28 x 25	180

Application:

The SCHRAUB-boy is a super-practical mini-workshop in pocket-knife format.

A really useful addition to professional and d-i-y toolkits. A single tool that fits in the palm of your hand and can perform up to 14 functions. Hexagon, TORX or Philips screw are no problem. And when refreshment is called for, there is even a bottle opener.

Dimensions:

Order no.	ISO 2936	DIN ISO 8764	sim. DIN5264	DIN 659
44875	2, 2.5, 3, 4, 5 mm	1 + 2	0.5x3.5, 1x7 mm	7, 8, 10, 13 mm
44800	1.5, 2, 2.5, 3, 4, 5, 6 mm	1	1x7 mm	7, 8, 10, 13 mm

No. 906M

Biketool

16-piece multi-purpose tool in pocket format. A professional tool specially for the cyclist, for rapid repair after any breakdown.

Tools: hardened and **blued**.

Case: two-component body.



Order no.	L x W x H	Weight [g]
45666	90 x 50 x 32	260

Design:

7 Hexagon keys:
2 - 2.5 - 3 - 4 - 5 - 6 and 8 mm A/F
2 Screwdrivers: + PH2 / -1 x 5
3 Socket spanners: 8 - 9 - 10 mm
3 Open-ended spanners: 8 - 10 - 15 mm
1 Spoke key: 14 G.

Recommendations



No. 909EG7,
page 28

Subject to technical alterations.



THE ADVANTAGES OF THE 2-COMPONENT HANDLES:

- > new, ergonomic 2-component handle
- > grip shape optimised for comfortable use
- > easy tightening when applying full torque
- > high-quality, impact-resistant, cadmium-free plastic.

No. 906QE

Hexagon key (metric) with ergonomic 2-component T-grip

Blade: CHROME VANADIUM, hardened and nickel-plated.
Grip: impact-resistant plastic (cadmium-free), black/red.



Order no.	SW [mm]	SW [Zoll]	L1	B	L	T	Weight [g]
49007	2,0	5/64	100	80	125	15,5	18
49015	2,5	-	100	80	125	15,5	24
49023	2,5	-	150	80	175	15,5	27
49031	2,5	-	200	80	225	15,5	30
49049	3	-	100	80	125	15,5	24
49056	3	-	150	80	175	15,5	30
49072	3	-	350**	100	381	19,5	117
49098	4	5/32	150	80	175	15,5	36
49114	4	5/32	300	80	325	15,5	50
49122	4	5/32	350**	100	381	19,5	117
49148	5	-	150	100	181	19,5	60
49163	5	-	350	100	381	19,5	100
49171	5	-	450**	100	488	19,5	240
49205	6	-	200	100	231	19,5	84
49213	6	-	350	100	381	19,5	130
49247	8	5/16	200	100	231	19,5	125
49254	8	5/16	350	100	381	19,5	200
49262	10	-	100	100	138	19,5	165
49288	10	-	350	100	388	19,5	350

** With reinforced blade

Advantage:

Hexagon keys with new ergonomic 2-component T-grip set apart by:

- grip shape optimised for comfortable use
- easy tightening when applying full torque
- hang-up hole for a tidy workplace.

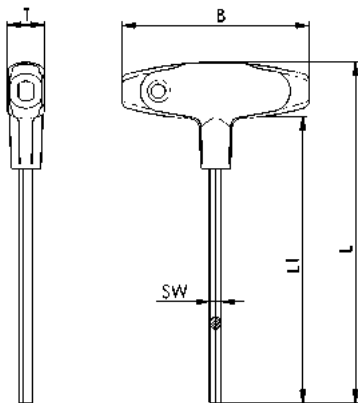
Note:

Please see also workshop stands no. 906QE-WM7.

On request:

Advertising or company imprint?

These conventional or T-grip keys are particularly suitable for printing with your individual advertising or company logo using the tampon printing process. If you need larger quantities, ask for our quotation. Please state the quantity required and printing details (one or more colours).



Recommendations



No. 966QGE,
page 29



No. 906QGE,
page 29

No. 906QE-WM7

Workshop stand (metric)

with 2-component T-grip hexagon keys no. 906QE, metric, 7-piece set.

Blades: CHROME VANADIUM, hardened and **nickel-plated**.

Grip: impact-resistant plastic (cadmium-free), black/red.

Stand: single-grade, impact-resistant **plastic** with clips for connecting further workshop stands.

Order no.	Contents: A/F x blade length L1	Weight [g]
49577	2x100, 2,5x100, 3x150, 4x150, 5x150, 6x200, 8x200	650



Recommendations



No. 906-WM9,
page 13



No. 911LG-WM9,
page 27



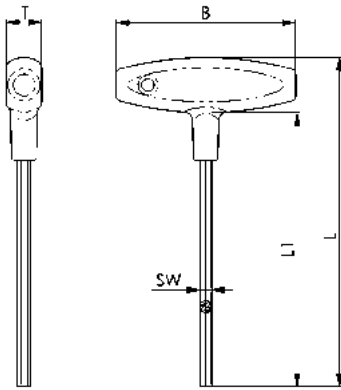
No. 907Q-WT7,
page 38



No. 906Q

Hexagon keys (metric) with T-grip

Key: CHROM VANADIUM, hardened and nickel-plated.
Grip: impact-resistant plastic (cadmium-free), red.



Order no.	SW [mm]	SW [Zoll]	L1	B	L	T	Weight [g]
42242	2	5/64	100	80	125	16	18
42259	2,5	-	100	80	125	16	24
44958	3	-	100	80	125	16	24
44966	3	-	150	80	175	16	30
44974	3	-	200	80	225	16	40
44982	4	5/32	100	80	125	16	31
44990	4	5/32	150	80	175	16	36
45005	4	5/32	200	80	225	16	41
45013	5	-	100	100	131	20	51
42218	5	-	150	100	181	20	60
45021	5	-	200	100	231	20	68
45039	6	-	100	100	131	20	58
45047	6	-	150	100	181	20	77
45054	6	-	200	100	231	20	84
45062	8	5/16	100	100	131	20	85
45070	8	5/16	150	100	181	20	105
42234	8	5/16	200	100	231	20	125
45096	10	-	200	120	238	20	223
45112	12	-	200	120	238	20	307

Advantage:

Hexagon keys with ergonomic T-grip with:
- shape of grip optimised for comfortable use
- permits sensitive tightening with full torque
- hole for hanging up, for a tidy workplace.

Note:

Please see also workshop stands no. 906-WM**.

On request:

Advertising or company imprint?
These conventional or T-handle screwdrivers are specially suitable for printing with your individual advertising or company imprint using the economical tampon printing process. If you need larger quantities, ask for our quotation. Please state the quantity required and printing details (one or more colours).

Recommendations



No. 907Q,
page 38



No. 906QGE,
page 29

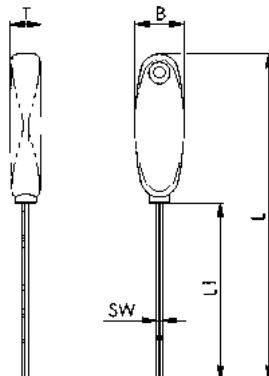


No. 906QZ,
page 32

No. 906

Hexagon keys (metric) with screwdriver handle

Blade: CHROME VANADIUM, hardened and nickel-plated.
Grip: impact-resistant plastic (cadmium-free), red.



Order no.	SW [mm]	L1	B	L	T	Weight [g]
42200	1,5	90	25	166	16	18
42168	2,0	90	25	166	16	21
42184	2,5	90	25	166	16	24
42192	3,0	90	25	166	16	26

Recommendations



No. 906GE,
page 29



No. 907LE,
page 37

Subject to technical alterations.

No. 906-WM7M

Workshop stand (metric), metal

with no. 906 screwdriver-handle keys, and no. 906Q T-grip keys (metric), 7-piece set.

Blades: CHROME-VANADIUM, hardened and **nickel-plated**.

Grips: impact-resistant plastic (cadmium-free), red.

Stand: powder-coated **metal**.



Order no.	Contents: A/F x blade length L1	Weight [g]
42283	906-2x90, 2,5x90, 3x90; 906Q-4x150, 5x150, 6x200, 8x200	1030

Recommendations



No. 911LG-H100F,
page 24



No. 911L-BM8D,
page 18

No. 906Q-WM7

Workshop stand (metric)

with T-grip hexagon keys no.906Q, metric, 7-piece set.

Blades: CHROME VANADIUM, hardened and **nickel-plated**.

Grip: impact-resistant plastic (cadmium-free), red.

Stand: single-grade, impact-resistant **plastic** with clips for connecting further workshop stands.



Order no.	Contents: A/F x blade length L1	Weight [g]
42606	2x100, 2,5x100, 3x150, 4x150, 5x150, 6x150, 8x150	575

Recommendations



No. 907Q-WT7,
page 38

No. 906-WM9

Workshop stand (metric)

with no. 906 screwdriver-handle keys and no. 906Q T-grip keys (metric), 9-piece set.

Blades: CHROME-VANADIUM, hardened and **nickel-plated**.

Grips: impact-resistant plastic (cadmium-free), red.

Stand: single-grade, impact-resistant **plastic** with clips for connecting further workshop stands.



Order no.	Contents: A/F x blade length L1	Weight [g]
42291	906-1,5x, 2x, 2,5x, 3x90; 906Q-4x, 5x150, 6x, 8x, 10x200	860

Recommendations



No. 906QE-WM7,
page 11



No. 911LG-WM9,
page 27

APPLICATION OF OUR HEXAGON KEYS TO ISO 2936, DIN 6911 AND BALLEDED KEYS.

The table shows the across-flats sizes of keys for thread sizes (M) and types of screw.

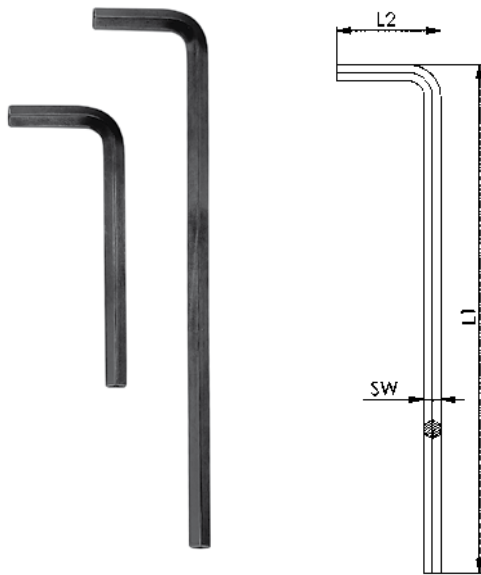
SW mm	Test torque		Hardness HRC	Socket screw standards				
	Hexagon Nm	Ball-ended Nm		ISO 4762 [DIN 912]	DIN 6912	DIN 7984	ISO 10642 [DIN 7991]	ISO 4026-4029 [DIN 913-916]
0,7	0,08	-	52-55	-	-	-	-	M1,4 M1,6 (M1,8)
0,9	0,18	-		-	-	-	-	M2
1,3	0,53	-		(M1,4)	-	-	-	M2,5
1,5	0,82	0,40		M1,6 M2	-	-	-	M3
2,0	1,90	0,98		M2,5	-	M3	M3	M4
2,5	3,80	1,60		M3	-	M4	M4	M5
3	6,60	2,90		M4	M4	M5	M5	M6
4	16	6,40		M5	M5	M6	M6	M8
5	30	12		M6	M6	M8	M8	M10
6	52	21		M8	M8	-	M10	M12 (M14)
7	80	-	-	-	M10	-	-	
8	120	50	M10	M10	M12	M12	M16	
10	220	92	48-52	M12	M12	M14	M14 M16	(M18) M20
12	370	250		M14	M14	M16 M18	(M18) M20	(M22) M24
14	590	-		M16 M18	M16 M18	M20 M22	(M22 M24)	-
17	980	-	45 - 50	M20	M20 M22	M24	-	-
19	1360	-		(M22)	M24 M27	-	-	-
22	2110	-		M24 (M27)	M30	-	-	-
24	2750	-		M30	M33	-	-	-
				M33	-	-	-	-
27	3910	-		M36	M36	-	-	-
32	4000	-		M42	-	-	-	-
36	4000	-		M48	-	-	-	-

() not ISO standard thread

ISO 2936C

Hexagon keys (metric)

CHROM VANADIUM, hardened and blued.
End face machined. Edges of end face chamfered.



Order no.	SW [mm]	L1 x L2 [mm]	Weight [g]
42572	0,7	33 x 7	0,14
42580	0,9	33 x 11	0,2
43067	1,3	41 x 13	0,7
42358	1,5	46,5 x 15,5	0,9
42366	2,0	52,0 x 18,0	1,8
42374	2,5	58,5 x 20,5	3,0
42382	3	66 x 23	5,0
42390	4	74 x 29	10
42408	5	85 x 33	18
42416	6	96 x 38	30
42424	7	102 x 41	43
42432	8	108 x 44	59
42440	9	114 x 47	79
42457	10	122 x 50	103
42465	11	129 x 53	131
42473	12	137 x 57	160
42481	14	154 x 70	260
42499	17	177 x 80	430
42507	19	199 x 89	617
42515	22	222 x 102	920
42523	24	248 x 114	1238
42531	27	277 x 127	1740
42549	30	315 x 142	2410
42556	32	347 x 157	3080
42564	36	391 x 176	4370

The 1.3 A/F key is in fact 1.27 mm, which is precisely 0.05".

ISO 2936LC

Hexagon keys (mm), extra long version

CHROM VANADIUM, hardened and blued.
End face machined. Edges of end face chamfered.

Order no.	SW [mm]	L1 x L2 [mm]	Weight [g]
43703	1,5	91,5 x 15,5	1,5
43711	2,0	102,0 x 18,0	3,0
43729	2,5	114,5 x 20,5	5,5
43737	3	129 x 23	9,0
43745	4	144 x 29	18
43752	5	165 x 33	32
43760	6	186 x 38	52
43786	8	208 x 44	100
43794	10	234 x 50	177
43802	12	262 x 57	287
43810	14	294 x 70	440

On request:

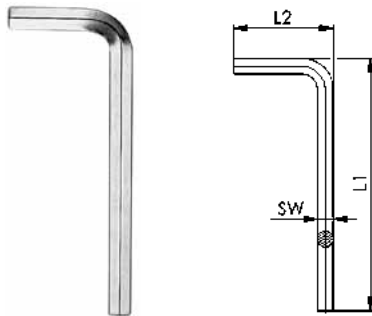
Other lengths and executions on request.

Subject to technical alterations.

ISO 2936D

Hexagon keys (metric)

CHROM VANADIUM, hardened and **nickel-plated**.
End face machined. Edges of end face chamfered.



Order no.	SW [mm]	SW [Zoll]	L1 x L2 [mm]	Weight [g]
43299	1,3	0,05	41 x 13	0,7
42630	1,5	-	46,5 x 15,5	0,9
42648	2,0	5/64*	52,0 x 18,0	1,8
42655	2,5	-	58,5 x 20,5	3,0
42663	3,0	-	66 x 23	5,0
42671	4,0	5/32*	74 x 29	10
42689	5,0	-	85 x 33	18
42697	6,0	-	96 x 38	30
42705	7,0	9/32*	102 x 41	43
42713	8,0	5/16*	108 x 44	59
42721	9,0	-	114 x 47	79
42739	10,0	-	122 x 50	103
42747	11,0	7/16*	129 x 53	131
42754	12,0	-	137 x 57	160
42762	14,0	-	154 x 70	260
42770	17,0	-	177 x 80	430
42788	19,0	3/4*	199 x 89	617
42796	22,0	7/8*	222 x 102	920

The 1.3 A/F key is in fact 1.27 mm, which is precisely 0.05".
Keys marked * correspond to the metric size. Above 5/32" A/F they are marked with both sizes.

On request:

Other lengths and executions on request.

Recommendations



No. 911TM,
page 18

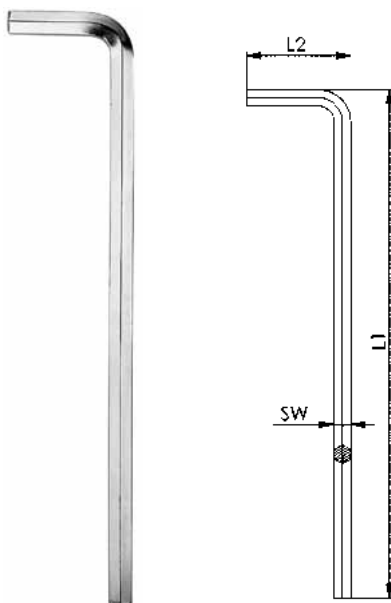


DIN 6911D,
page 21

ISO 2936LD

Hexagon keys (mm), extra long version

CHROM VANADIUM, hardened and **nickel-plated**.
End face machined. Edges of end face chamfered.



Order no.	SW [mm]	SW [Zoll]	L1 x L2 [mm]	Weight [g]
42614	1,5	-	91,5 x 15,5	1,5
42895	2,0	5/64*	102,0 x 18,0	3,0
42903	2,5	-	114,5 x 20,5	5,5
42911	3,0	-	129 x 23	9,0
42937	4,0	5/32*	144 x 29	18
42945	5,0	-	165 x 33	32
42952	6,0	-	186 x 38	52
43596	7,0	9/32*	197 x 41	74
42960	8,0	5/16*	208 x 44	100
42978	10,0	-	234 x 50	177
42986	12,0	-	262 x 57	287
42994	14,0	-	294 x 70	440
43000	17,0	-	337 x 80	750
43018	19,0	3/4*	379 x 89	1100

Keys marked * correspond to the metric size. Above 5/32" A/F they are marked with both sizes.

On request:

Other lengths and executions on request.

Recommendations



No. 911L-HM9D,
page 20



No. 911LG-D,
page 22

No. 911-WM9

Workshop stand (metric)

with metric hexagon keys ISO 2936, 9-piece set.
 Key: CHROM VANADIUM, hardened and **nickel-plated**.
 End face machined. Edges of end face chamfered.
 Stand: single-grade, impact-resistant **plastic** with clips for connecting further workshop stands.



Order no.	Contents: A/F	Weight [g]
44065	2.5, 3, 4, 5, 6, 8, 10, 12, 14 mm	840

Recommendations



No. 911-HM9D,
page 20



No. 911TM,
page 18

No. 911L-WM9

Workshop stand (metric)

with metric hexagon keys ISO 2936L, **extra long** (mm), 9-piece set.
 Key: CHROME VANADIUM, hardened and **nickel-plated**.
 End face machined. Edges of end face chamfered.
 Stands: single-grade, impact-resistant **plastic**, with clips for connecting further workshop stands.



Order no.	Contents: A/F	Weight [g]
44099	2.5, 3, 4, 5, 6, 8, 10, 12, 14 mm	1310

Recommendations



No. 911LG-WM9,
page 27



No. 911L-HM9D,
page 20



No. 911LG-HM9F,
page 23

Subject to technical alterations.

No. 911BM7D

Key box (metric)

with metric hexagon keys ISO 2936, 7-piece set.
 Keys: CHROME VANADIUM, hardened and **nickel-plated**.
 End face machined. Edges of end face chamfered.
 Box: impact-resistant **plastic** with self-service rack slot.

Order no.	Contents: A/F	L x W x H	Weight [g]
44826	2, 2.5, 3, 4, 5, 6, 8 mm	133 x 72 x 14	175



Recommendations



No. 6911 BM7,
page 21



No. 911G-BM10,
page 30

No. 911BM10D

Key box (metric)

with metric hexagon keys ISO 2936, 8-piece set.
 Keys: CHROME VANADIUM, hardened and **nickel-plated**.
 End face machined. Edges of end face chamfered.
 Box: from impact-resistant **plastic** with self-service rack slot.

Order no.	Contents: A/F	L x W x H	Weight [g]
46037	2, 2.5, 3, 4, 5, 6, 8, 10 mm	177 x 88 x 17	320



Recommendations



No. 911-HM9D,
page 20



No. 911BZ7,
page 34

No. 911L-BM8D

Key box (metric)

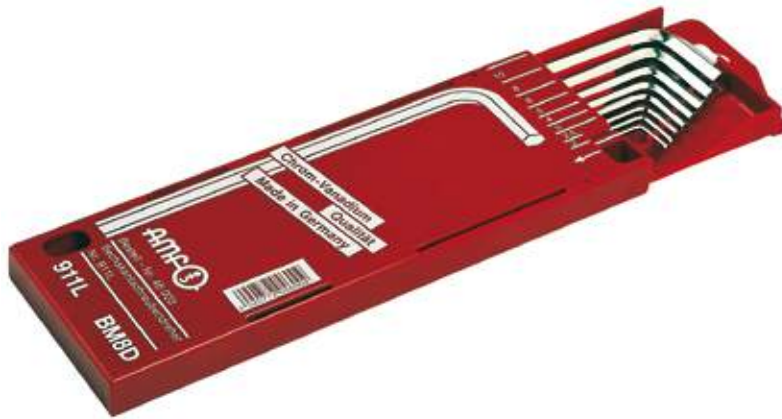
with metric hexagon keys ISO 2936L, **extra long** (mm), 8-piece set.

Key: CHROME VANADIUM, hardened and **nickel-plated**.

End face machined. Edges of end face chamfered.

Box: impact-resistant **plastic**, red, with self-service rack slot.

Order no.	Contents: A/F	L x W x H	Weight [g]
46003	2, 2.5, 3, 4, 5, 6, 8, 10 mm	265 x 88 x 17	535



Recommendations



No. 911L-HM9D, page 20



No. 911LG-HMC, page 26

No. 911TM

Key wallet (metric)

with metric hexagon keys ISO 2936, 6, 8 and 10-piece set.

Keys: CHROME VANADIUM, hardened and **nickel-plated**.

End faces machined. Edges of end face chamfered.

Plastic wallet with slot for self-service rack and reusable closure.

Order no.	Size	Contents: A/F	Weight [g]
43851	6	2, 2.5, 3, 4, 5, 6 mm	75
43869	8	2, 2.5, 3, 4, 5, 6, 8, 10 mm	235
43877	10	2, 2.5, 3, 4, 5, 6, 8, 10, 12, 14 mm	660



Recommendations



No. 911BM10D, page 17



No. 911-HM9D, page 20

No. 911-HM9C

Key holder (metric)

with metric hexagon keys ISO 2936, 9-piece set.
 Keys: CHROME-VANADIUM, hardened and **blued**.
 End face machined. Edges of end face chamfered.
 Holder: with slot for self-service rack.

Order no.	Contents: A/F	Weight [g]
89425	1.5, 2, 2.5, 3, 4, 5, 6, 8, 10 mm	245



Recommendations



No. 911HZ 9D,
page 32



No. 918-HT8C,
page 40

No. 911L-HM9C

Key holder (metric)

with metric hexagon keys ISO 2936L, **extra long** (mm), 9-piece set.
 Key: CHROME VANADIUM, hardened and **blued**.
 End face machined. Edges of end face chamfered.
 Holder: with self-service rack slot.

Order no.	Contents: A/F	Weight [g]
89433	1.5, 2, 2.5, 3, 4, 5, 6, 8, 10 mm	415



Recommendations



No. 911LG-HMC,
page 26



No. 911L-HZ 9D,
page 33

No. 911-HM9D

Key holder (metric)

with metric hexagon keys ISO 2936, 9-piece set.
 Keys: CHROME VANADIUM, hardened and **nickel-plated**.
 End face machined. Edges of end face chamfered.
 Holder: with slot for self-service rack.



Order no.	Contents: A/F	Weight [g]
46789	1.5, 2, 2.5, 3, 4, 5, 6, 8, 10 mm	245

Recommendations



No. 911LG-HM9F,
page 23



No. 911BM10D,
page 17

No. 911L-HM9D

Key holder (metric)

with metric hexagon keys ISO 2936L, **extra long** (mm), 9-piece set.
 Key: CHROME VANADIUM, hardened and nickel-plated.
 End face machined. Edges of end face chamfered.
 Holder: with self-service rack slot.



Order no.	Contents: A/F	Weight [g]
46797	1.5, 2, 2.5, 3, 4, 5, 6, 8, 10 mm	415

Recommendations



No. 911LG-HM9D,
page 26



No. 911L-BM8D,
page 18



No. 911LG-H100F,
page 24

DIN 6911D

Hexagon key (metric) with pilot

for DIN 6912 screws. CHROM VANADIUM, hardened and nickel-plated.



Order no.	SW [mm]	L1 x L2 [mm]	Weight [g]
45377	3	66 x 23	5
45385	4	74 x 29	10
45393	5	85 x 33	18
45401	6	96 x 38	30
45419	8	108 x 44	59
45427	10	122 x 50	103
45435	12	137 x 57	160
45443	14	154 x 70	260
45450	17	177 x 80	430

Recommendations



ISO 2936D,
page 15



No. 908,
page 35

No. 6911 BM7

Key box (metric)

with metric hexagon keys DIN 6911 with pilot for DIN 6912 screws, 7-piece set.

Key: CHROM VANADIUM, hardened and nickel-plated.

Box: impact-resistant plastic.



Order no.	Contents: A/F	L x W x H	Weight [g]
44867	ISO 2936-2, 2.5; DIN 6911-3, 4, 5, 6, 8 mm	133 x 72 x 14	175

Recommendations



No. 911BM7D,
page 17



No. 911G-BM10,
page 30



No. 911BZ7,
page 34



APPLICATIONS

- At angles up to 25°
- > speeds up work in hard-to-reach locations,
- > easy but still precise entry of key into socket.

MATERIAL

- Highly alloyed chrome-vanadium steel
- > ensures a long working-life, good torque-resistance, and optimum hardness
- > see table on page 14 for test torques

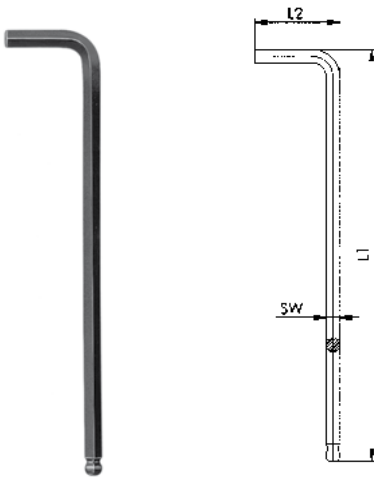
EXECUTION AND SURFACE FINISH

- hardened, steel-grey (version C)
- hardened and nickel-plated (version D)

No. 911LG-C

Ball-ended hexagon key (mm), extra long version

CHROM VANADIUM, hardened, steel-grey.



Order no.	SW [mm]	L1 x L2 [mm]	Weight [g]
46086	1,5	91,5 x 15,5	2
45898	2,0	102,0 x 18,0	3
45823	2,5	114,5 x 20,5	6
45831	3	129 x 23	9
45849	4	144 x 29	19
45856	5	165 x 33	34
45864	6	186 x 38	54
45872	8	208 x 44	110
45880	10	234 x 50	190
46060	12	262 x 57	295

Recommendations



No. 911LG-HMC,
page 26

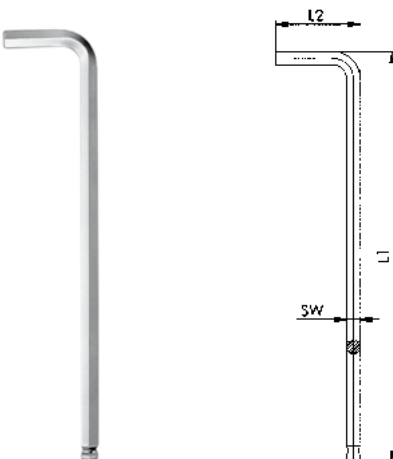


No. 911L-HZ 9D,
page 33

No. 911LG-D

Ball-ended hexagon key (mm), extra long version

CHROM VANADIUM, hardened and nickel-plated.



Order no.	SW [mm]	L1 x L2 [mm]	Weight [g]
47209	1,5	91,5 x 15,5	2
47217	2,0	102,0 x 18,0	3
47225	2,5	114,5 x 20,5	6
47233	3	129 x 23	9
47241	4	144 x 29	19
47258	5	165 x 33	34
47266	6	186 x 38	54
47274	8	208 x 44	110
47282	10	234 x 50	190
47290	12	262 x 57	295

Recommendations



No. 911LG-HM9D,
page 26



No. 911LG-WM9,
page 27

Subject to technical alterations.

No. 911LG-HM9F

COLOR ball-ended hexagon key - key holder

9-piece.

Key: ball-ended hexagon key **extra long** (mm), CHROME VANADIUM, hardened and **nickel-plated** and **colour-coded**.

Order no.	Contents: A/F	Weight [g]
47001	1.5, 2, 2.5, 3, 4, 5, 6, 8, 10 mm	410

Advantage:

- find it fast
- powder-coated **colour-coding** by key width
- no more danger of mix-up.



Recommendations



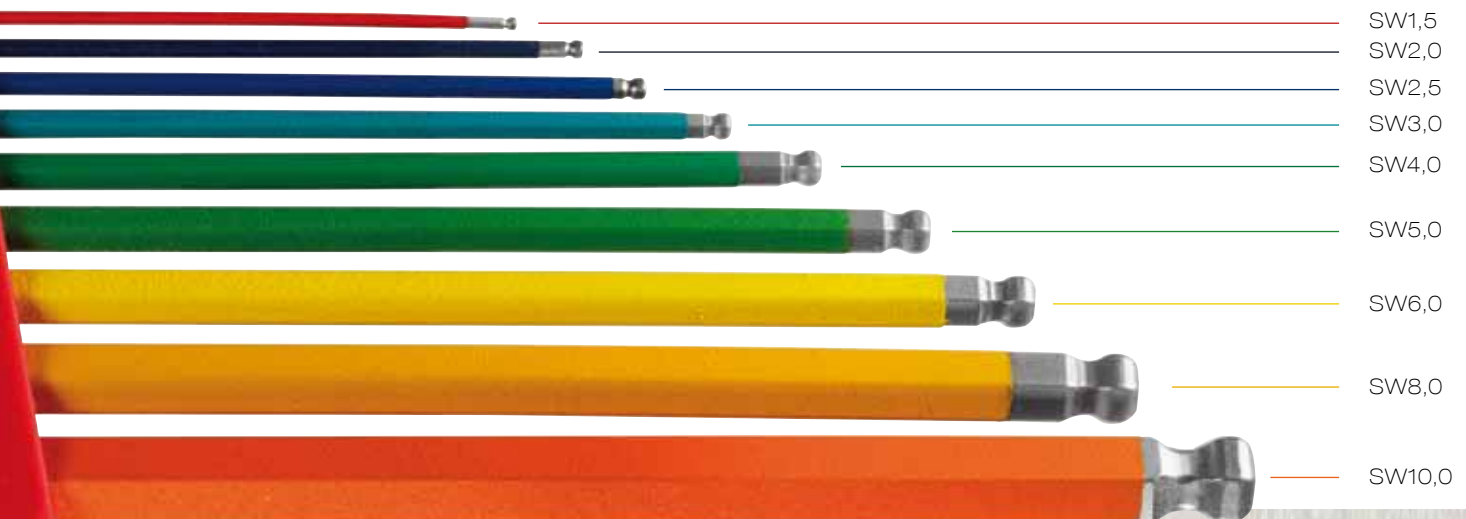
No. 911LG-H100F, page 24



No. 911LG-H100, page 24



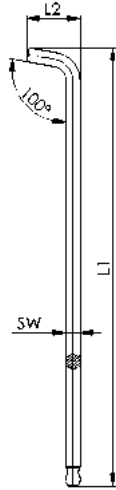
No. 911LG-HM9D, page 26



No. 911LG-H100F

COLOR ball-ended hexagon key 100° - key holder

9-piece.
Key: ball-ended hexagon key **extra long** (mm), **100° bend angle**, CHROME VANADIUM, hardened, **chromium-plated** and **colour-coded**.



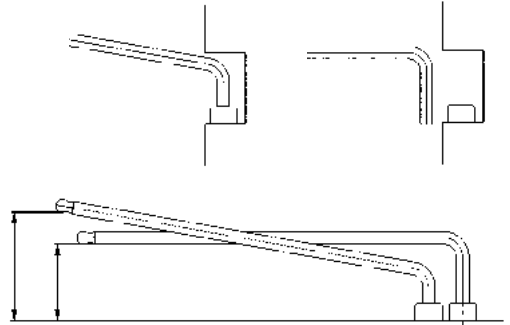
Order no.	Contents: A/F	Weight [g]
47100	1.5, 2, 2.5, 3, 4, 5, 6, 8, 10 mm	390

Advantage:

- find it fast
- powder-coated **colour-coding** by key width
- no more danger of mix-up.
- **convenient 100° bend**
- better screw access through reduced length of the short shank
- secure working even in narrow spaces.

Dimensions:

Order no.	SW [mm]	L1 x L2 [mm]
47100	1,5	92 x 8
	2,0	102 x 8
	2,5	114 x 10
	3	127 x 13
	4	144 x 14
	5	165 x 18
	6	186 x 22
	8	208 x 28
	10	234 x 32



Recommendations

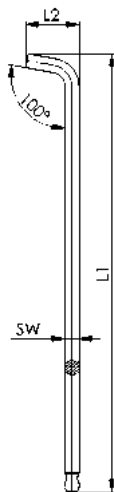


No. 918-HT8F,
page 39

No. 911LG-H100

Ball-ended hexagon key 100° - key holder

9-piece.
Key: ball-ended hexagon key **extra long** (mm), **100° bend angle**, CHROME VANADIUM, hardened and **chromium-plated**.



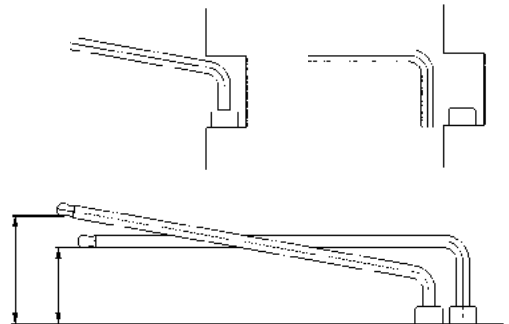
Order no.	Contents: A/F	Weight [g]
47175	1.5, 2, 2.5, 3, 4, 5, 6, 8, 10 mm	380

Advantage:

- **Convenient 100° bend**
- better screw access through reduced length of the short shank
- secure working even in narrow spaces.

Dimensions:

Order no.	SW [mm]	L1 x L2 [mm]
47175	1,5	92 x 8
	2,0	102 x 8
	2,5	114 x 10
	3	127 x 13
	4	144 x 14
	5	165 x 18
	6	186 x 22
	8	208 x 28
	10	234 x 32



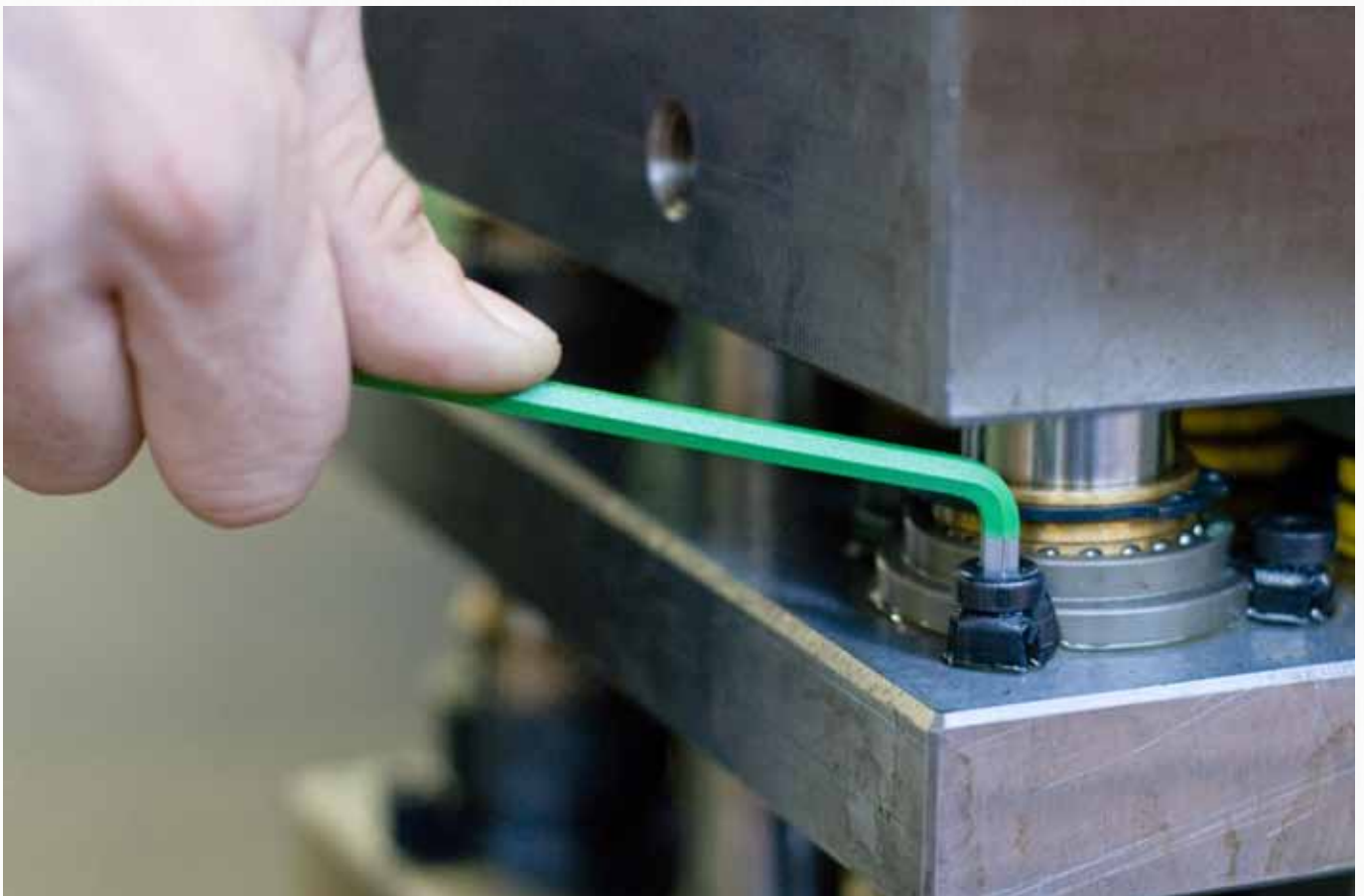
Recommendations



No. 911LG-HM9F,
page 23



No. 911LG-HZ13D,
page 33



No. 911LG-HMC

Ball-ended hexagon key - Key holder (metric)

9-piece.
Key: ball-ended hexagon key no. 911LG **extra long** (mm), CHROME VANADIUM, hardened, **steel-grey**.
Holder: with self-service rack slot.



Order no.	Contents: A/F	Weight [g]
46524	1.5, 2, 2.5, 3, 4, 5, 6, 8, 10 mm	440

Recommendations



No. 911LG-BM8C, page 28



No. 911LG-WM9, page 27

No. 911LG-HM9D

Ball-ended hexagon key - Key holder (metric)

9-piece.
Key: ball-ended hexagon key no. 911LG **extra long** (mm), CHROME VANADIUM, hardened and **nickel-plated**.
Holder: with self-service rack slot



Order no.	Contents: A/F	Weight [g]
46805	1.5, 2, 2.5, 3, 4, 5, 6, 8, 10 mm	440

Recommendations



No. 911LG-HM9F, page 23



No. 911LG-HZ13D, page 33

Subject to technical alterations.

No. 911LG-HM9NI

Ball-ended hexagon key - key holder, stainless steel

9-piece set in flip key holder
Key: ball-ended hexagon key **extra long** (mm)
stainless steel



Order no.	Contents: A/F	Weight [g]
49700	1.5, 2, 2.5, 3, 4, 5, 6, 8, 10	420

Advantage:

- The practical flip holder allows easy removal of keys
- Durable stainless steel version

Dimensions:

Order no.	SW [mm]	L1 x L2 [mm]
49700	1,5	91,5 x 15,5
	2,0	102,0 x 18,0
	2,5	114,5 x 20,5
	3,0	129 x 23
	4,0	144 x 29
	5,0	165 x 33
	6,0	186 x 38
	8,0	208 x 44
	10,0	234 x 50

Recommendations



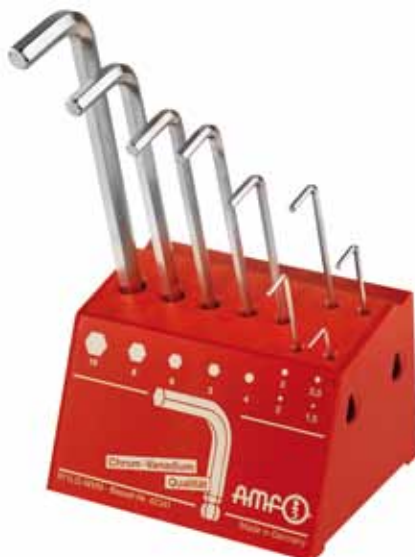
No. 911LG-H100F, page 24



No. 911LG-WM9

Ball-ended hexagon key - Workshop stand (mm)

9-piece.
Key: ball-ended hexagon key no. 911LG, **extra long** (mm), CHROME VANADIUM, hardened, **nickel-plated**.
Stands: single-grade, impact-resistant plastic, with clips for connecting further workshop stands.



Order no.	Contents: A/F	Weight [g]
42341	1.5, 2, 2.5, 3, 4, 5, 6, 8, 10 mm	615

Recommendations



No. 906-WM9, page 13



No. 918-HT8C, page 40

No. 911LG-BM8C

Ball-ended hexagon key - Key box

8-piece.
Key: ball-ended hexagon key no. 911LG, **extra long** (mm), CHROME VANADIUM, hardened, **steel-grey**.
Box: impact-resistant plastic with self-service rack slot.



Order no.	Contents: A/F	L x W x H	Weight [g]
46011	2, 2.5, 3, 4, 5, 6, 8, 10 mm	265 x 88 x 17	530

Recommendations



No. 911LG-HMC, page 26

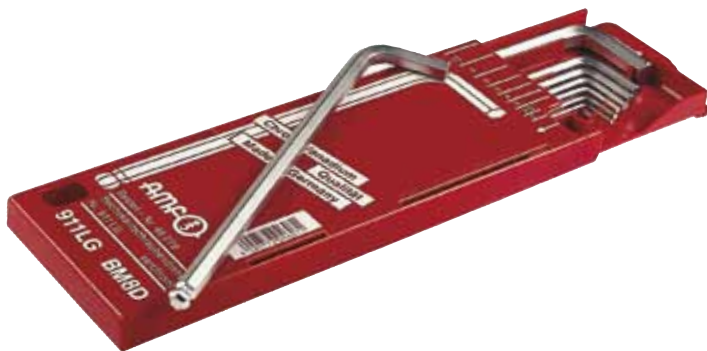


No. 911L-BM8D, page 18

No. 911LG-BM8D

Ball-ended hexagon key - Key box

8-piece.
Key: ball-ended hexagon key no. 911LG **extra long** (mm), CHROME VANADIUM, hardened and **nickel-plated**.
Box: impact-resistant plastic with self-service rack slot.



Order no.	Contents: A/F	L x W x H	Weight [g]
46078	2, 2.5, 3, 4, 5, 6, 8, 10 mm	265 x 88 x 17	530

Recommendations



No. 911LG-WM9, page 27



No. 911LG-HM9F, page 23

No. 909EG7

Ball-ended SCHRAUB-boy

Grip: from ergonomic 2-component housing. **Lift mechanism** offers convenient access to the blades. Blades: hardened and **nickel-plated**.



Order no.	Contents: A/F	Weight [g]
45641	2.5, 3, 4, 5, 6, 8, 10	280

Recommendations



No. 906M, page 9



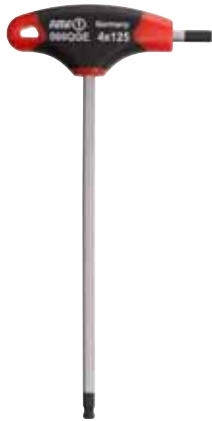
No. 910, page 9

Subject to technical alterations.

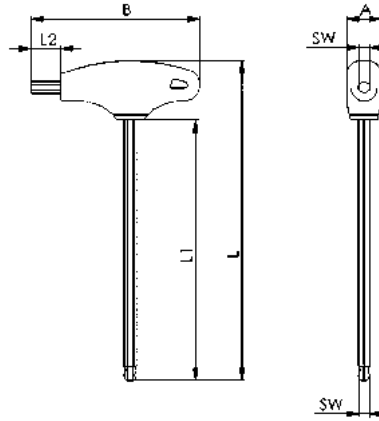
No. 966QGE

Double hexagon key (metric) with ergonomic 2-component T-grip

Blade: CHROME VANADIUM, hardened and **nickel-plated**.
Grip: impact-resistant plastic (cadmium-free), black/red with **lateral take-off**.
Short arm for final tightening. Long arm for speed.



Order no.	SW [mm]	L1	B	L	L2	Weight [g]
47670	3	125	75	151	15	25
47613	4	125	75	151	15	33
47621	5	150	100	184	20	60
47639	6	200	97	240	17	100



Recommendations



No. 909EG7, page 28

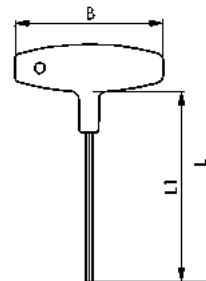
No. 906QGE

Ball-ended hexagon key (metric) with ergonomic 2-component T-grip

Blade: CHROME VANADIUM, hardened and **nickel-plated**.
Grip: impact-resistant plastic (cadmium-free), black/red.



Order no.	SW [mm]	L1	B	L	Weight [g]
47118	4	150	80	175	40
47126	5	150	100	181	65
47134	6	150	100	181	80
47142	8	200	100	231	130



Recommendations



No. 911LG-WM9, page 27

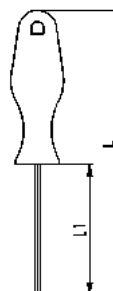
No. 906GE

Ball-ended hexagon key (metric) with ergonomic 2-component screwdriver grip

Blade: CHROME VANADIUM, hardened and **nickel-plated**.
Grip: impact-resistant plastic (cadmium-free), black/red.



Order no.	SW [mm]	L1	L	Weight [g]
45757	2,5	100	190	35
45765	3,0	100	190	35
45773	4,0	100	200	50
45781	5,0	100	200	75



Recommendations



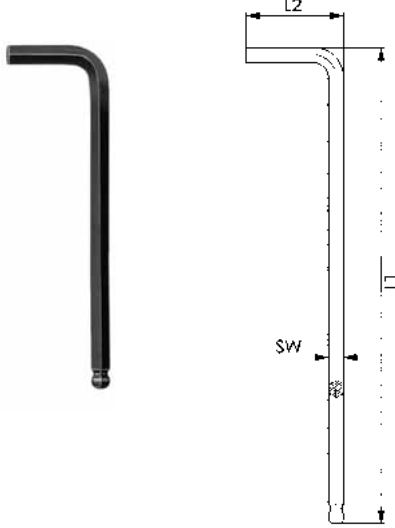
No. 911LG-H100, page 24

Subject to technical alterations.

No. 911G-C

Ball-ended hexagon key (metric)

CHROM VANADIUM, hardened, **steel-grey**.



Order no.	SW [mm]	L1 x L2 [mm]	Weight [g]
46458	1,5	46,5 x 15,5	1
46474	2,0	52,0 x 18,0	2
46490	2,5	58,5 x 20,5	3
46516	3	66 x 23	5
46532	4	74 x 29	11
46557	5	85 x 33	20
46573	6	96 x 38	32
46599	8	108 x 44	65
46466	10	122 x 50	113

Recommendations



No. 911G-TM7,
page 30



No. 911G-BM10,
page 30

No. 911G-BM10

Ball-ended hexagon key - Key box

8-piece set.

Keys: ball-ended hexagon key (metric) no. 911G, short version, CHROME VANADIUM, hardened and **steel-grey**.

Box: impact-resistant plastic with self-service rack slot.



Order no.	Contents: A/F	L x W x H	Weight [g]
46052	2, 2.5, 3, 4, 5, 6, 8, 10 mm	170 x 88 x 17	320

Recommendations



No. 911LG-HM9F,
page 23



No. 911LG-HZ13D,
page 33

No. 911G-TM7

Ball-ended hexagon key - Key wallet

7-piece set.

Keys: ball-ended hexagon key (metric) no. 911G, short version, CHROM VANADIUM, hardened, **steel-grey**.

Plastic wallet with slot for self-service rack and reusable closure.



Order no.	Contents: A/F	Weight [g]
46102	1.5, 2, 2.5, 3, 4, 5, 6 mm	75

Recommendations



No. 911TZ,
page 34



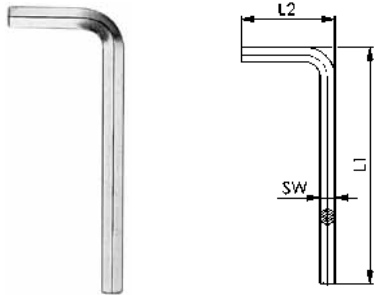
No. 908-TT9,
page 36

Subject to technical alterations.

No. 2936DZ

Hexagon keys (inch)

CHROM VANADIUM, hardened and **nickel-plated**.
End face machined, edges of end face chamfered.



Order no.	SW [mm]	SW [Zoll]	L1 x L2 [mm]	Weight [g]
43299	1,3	0,05	41 x 13	0,7
43307	1,59	1/16	47 x 16	1,0
42648	2,0	5/64*	52,0 x 18,0	1,8
43323	2,38	3/32	58 x 20	2
43331	3,18	1/8	66 x 23	5
42671	4,0	5/32*	74 x 29	10
43356	4,76	3/16	85 x 33	15
43364	5,56	7/32	91 x 36	23
43372	6,35	1/4	96 x 38	31
42705	7,0	9/32*	102 x 41	43
42713	8,0	5/16*	108 x 44	59
43406	9,53	3/8	122 x 50	92
43422	12,70	1/2	145 x 63	206
43448	15,88	5/8	176 x 76	350
42788	19,0	3/4*	199 x 89	617
42796	22,0	7/8*	222 x 102	920
43471	25,40	1	275 x 125	1390

The 0.05" A/F key is in fact 1.27 mm, which is precisely 0.05".
Keys marked * correspond to the metric size. Above 5/32" A/F they are marked with both sizes.

Recommendations



No. 911TZ,
page 34

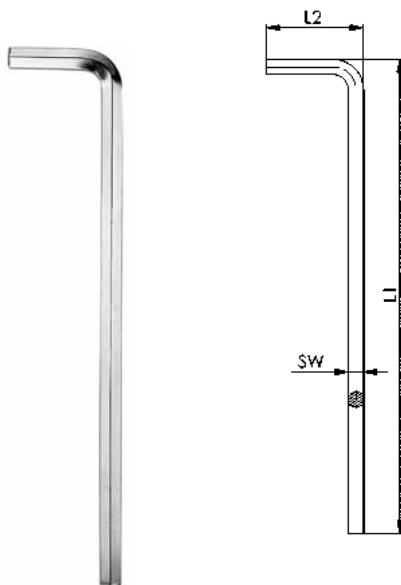


No. 911HZ 9D,
page 32

No. 2936LDZ

Hexagon keys (inch), long version

CHROM VANADIUM, hardened and **nickel-plated**.
End face machined, edges of end face chamfered.



Order no.	SW [mm]	SW [Zoll]	L1 x L2 [mm]	Weight [g]
43273	1,59	1/16	92 x 16	1,5
42895	2,0	5/64*	102,0 x 18,0	3,0
43539	2,38	3/32	114 x 20	3,5
43547	3,18	1/8	129 x 23	7,4
43604	3,57	9/64	140 x 26	12
42937	4,0	5/32*	144 x 29	18
43562	4,76	3/16	165 x 33	26
43588	6,35	1/4	186 x 38	54
43596	7,0	9/32*	197 x 41	74
42960	8,0	5/16*	208 x 44	100
43612	9,53	3/8	234 x 50	156
43638	12,70	1/2	277 x 89	360
43018	19,0	3/4*	379 x 89	1100

Keys marked * correspond to the metric size. Above 5/32" A/F they are marked with both sizes.

Recommendations



No. 911L-HZ 9D,
page 33



No. 911LG-HZ13D,
page 33

No. 906QZ

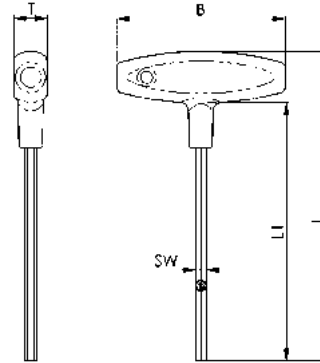
Hexagon keys (inch) with T-grip

Key: CHROM VANADIUM, hardened and **nickel-plated**.
Grip: impact-resistand plastic (cadmium-free) yellow.



Order no.	SW [Zoll]	SW [mm]	L1	B	L	T	Weight [g]
45120	5/64*	2,00	100	80	125	16	28
44883	3/32	2,38	100	80	125	16	30
44891	1/8	3,18	150	80	175	16	37
45252	5/32*	4,00	150	80	175	16	45
45260	5/32*	4,00	200	80	225	16	53
44917	3/16	4,76	150	100	182	20	73
44933	1/4	6,35	150	100	182	20	93
45294	5/16*	8,00	150	100	182	20	120
45310	5/16*	8,00	200	100	232	20	140

Keys marked * correspond to the metric size.



Recommendations



No. 906QE,
page 10



No. 906QE-WM7,
page 11



No. 907Q-WT7,
page 38

No. 911HZ 9D

Key holder (inch)

with inch hexagon keys no. 2936DZ, 9-piece set.
Keys: CHROME VANADIUM, hardened and **nickel-plated**.
End face machined. Edges of end face chamfered.
Holder: with slot for self-service rack.



Order no.	Contents: A/F	Weight [g]
44156	1/16, 5/64, 3/32, 1/8, 5/32, 3/16, 3/16, 1/4, 5/16, 3/8"	232

Recommendations



No. 911LG-HZ13D,
page 33



No. 911-HM9D,
page 20



No. 911G-TM7,
page 30

No. 911L-HZ 9D

Key holder (inch)

with inch hexagon keys no. 2936LDZ, **extra long**, 9-piece set.
 Key: CHROME VANADIUM, hardened and **nickel-plated**.
 End face machined. Edges of end face chamfered.
 Holder: with self-service rack slot

Order no.	Contents: A/F	Weight [g]
44164	1/16, 5/64, 3/32, 1/8, 5/32, 3/16, 1/4, 5/16, 3/8"	395



Recommendations



No. 911L-HM9D,
page 20



No. 908L-HT13C,
page 40

No. 911LG-HZ13D

Key holder, ball-ended (inch)

with ball-ended inch hexagon keys, **extra long**, 13-piece set.
 Key: CHROME VANADIUM, hardened and **nickel-plated**.
 End face machined. Edges of end face chamfered.
 Holder: with self-service rack slot.

Order no.	Contents: A/F	Weight [g]
44180	0,05, 1/16, 5/64, 3/32, 7/64, 1/8, 9/64, 5/32, 3/16, 7/32, 1/4, 5/16, 3/8"	440



Recommendations



No. 911LG-HM9D,
page 26



No. 918-HT8C,
page 40

No. 911BZ7

Key box (inch)

with inch hexagon keys no. 2936DZ, 7-piece set.
 Keys: CHROME VANADIUM, hardened and **nickel-plated**.
 End face machined. Edges of end face chamfered.
 Box: from impact-resistant **plastic** with self-service rack slot.

Order no.	Contents: A/F	L x W x H	Weight [g]
44842	5/64, 3/32, 1/8, 5/32, 3/16, 7/32, 1/4"	133x72x14	140



Recommendations



No. 911TZ,
page 34



No. 911BM7D,
page 17



No. 6911 BM7,
page 21

No. 911TZ

Key wallets (inch)

with inch hexagon keys no. 2936DZ 9, 11 and 14-piece set.
 Keys: CHROME VANADIUM, hardened and **nickel-plated**. End
 face machined. Edges of end face chamfered.
 Plastic wallet with slot for self-service rack and reusable closure.

Order no.	Size	Contents: A/F	Weight [g]
43893	9	0.05, 1/16, 5/64, 3/32, 1/8, 5/32, 3/16, 7/32, 1/4"	100
43901	11	0.05, 1/16, 5/64, 3/32, 1/8, 5/32, 3/16, 7/32, 1/4, 5/16, 3/8"	250
43919	14	0.05, 1/16, 5/64, 3/32, 1/8, 5/32, 3/16, 7/32, 1/4, 5/16, 3/8, 7/16, 1/2, 9/16"	850



Recommendations



No. 911TM,
page 18



No. 911G-TM7,
page 30

TORX® is a registered trademark of Camcar/Textron Inc.

PROFILE

The wave-profile provides a large surface for force and torque transfer

- > optimum grip and long tool-life
- > see table on right for test torques.

MATERIAL

highly alloyed CHROME-VANADIUM steel

EXECUTION AND SURFACE FINISH

- > hardened and steel-grey
- > hardened and chromium-plated

SCREWDRIVERS WITH HANDLE,

for TORX-screws, compliment the well-known advantages of this type of screw.

- > best possible force transfer by handy gripforms.

Table showing TORX-sockets for thread diameters and types of screw.

TORX® Size	A mm	Test torque Nm	Screws with TORX-sockets									
			metric (M)						Self-tapping (St)			
			DIN 4762 DIN 912	DIN 963 DIN 965	DIN 964 DIN 966	DIN 7984 DIN 6912	DIN 7985	DIN 7991	DIN 7981	DIN 7972 DIN 7982	DIN 7973 DIN 7983	
T 6	1,70	0,75	*	*	*	*	*	*	*	*	*	*
T 7	1,99	1,4	*	*	*	*	*	*	*	*	*	*
T 8	2,31	2,2	2,5	2,5	2,5	-	2,5	-	-	2,9	2,9	2,9
T 9	2,50	2,8	*	*	-	-	-	-	-	-	-	-
T10	2,74	3,7	3	3	3	3	3	3	3,5	3,5	3,5	3,5
T15	3,27	6,4	*	3,5	3,5	-	3,5	-	3,9	3,9	3,9	3,9
T20	3,86	10,5	4	4	4	4	4	4	4,2	4,2	4,2	4,2
T25	4,43	15,9	5	5	5	5	5	5	4,8/5,5	4,8/5,5	4,8/5,5	4,8/5,5
T27	4,99	22,5	*	*	*	*	*	*	*	*	*	*
T30	5,52	31,1	6	6	6	6	6	6	6,3	6,3	6,3	6,3
T40	6,65	54,1	8	8	8	8	8	8	-	-	-	-
T45	7,82	86,2	*	*	*	*	*	*	*	*	*	*
T50	8,83	132	10	10	10	10	10	10	-	-	-	-
T55	11,22	252	12	-	-	12	-	12	-	-	-	-

* Special screws

No. 908

TORX angled key

CHROM VANADIUM, hardened, steel-grey.



Order no.	TORX	A	L1 x L2 [mm]	Weight [g]
46540	T 6	1,70	44,5 x 18,5	1,9
46565	T 7	1,99	50,5 x 18,5	2,0
46581	T 8	2,31	51 x 19	2,8
46607	T 9	2,50	51 x 19	3,4
46615	T10	2,74	54 x 20	3,6
46623	T15	3,27	57,5 x 21,5	5,2
46631	T20	3,86	61 x 23	6,5
46649	T25	4,43	64,5 x 24,5	9,4
46656	T27	4,99	69,5 x 26,5	15
46664	T30	5,52	76 x 30	20
46672	T40	6,65	83 x 33	31
46680	T45	7,82	91 x 37	44
46698	T50	8,83	95 x 32	62
46706	T55	11,22	108 x 35	126

Recommendations



No. 918-HT8F,
page 39

No. 908-TT9

TORX key wallet

with TORX Key no. 908, 9-piece set.

Keys: CHROME VANADIUM, hardened and **steel-grey**.

Plastic wallet with slot for self-service rack and reusable closure.

Order no.	Contents TORX	Weight [g]
43836	T6, 7, 8, 9, 10, 15, 20, 25, 30	65



Recommendations



No. 918-HT8C,
page 40

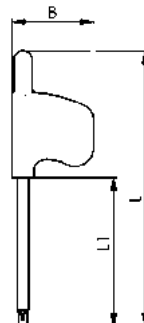
No. 907SH

TORX keys with flag-type grip

Blade: CHROME-VANADIUM, hardened and **steel-grey**.

Grip: impact-resistant plastic (cadmium-free), green.

Order no.	TORX	A	L1	B	L	Weight [g]
46185	T5	1,42	35	22	69	3,5
46847	T6	1,70	35	22	69	3,6
46854	T7	1,99	35	22	69	3,7
46862	T8	2,31	40	22	74	5,8
46870	T9	2,50	40	22	74	6,3
46888	T10	2,74	40	22	74	6,8
46896	T15	3,27	45	22	79	7,5
46987	T20	3,86	45	22	79	8,0



Recommendations



No. 929MB-25,
page 41



No. 907Q-WT7,
page 38

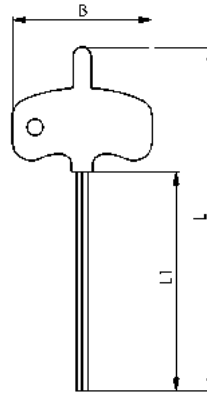
Subject to technical alterations.

No. 907S

TORX key with small grip

Blade: CHROME-VANADIUM, hardened and **steel-grey**.
Grip: impact-resistant plastic (cadmium-free), green.

Order no.	TORX	A	L1	B	L	Weight [g]
46730	T 6	1,70	35	38	70	14
46748	T 7	1,99	35	38	70	14
46755	T 8	2,31	40	38	75	14
46763	T 9	2,50	40	38	75	15
46771	T10	2,74	40	38	75	15



Recommendations



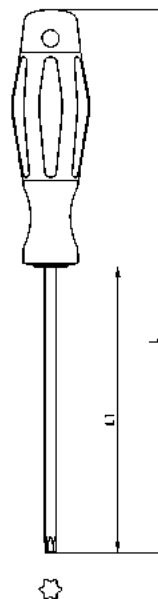
No. 929SB-33,
page 41

No. 907LE

TORX key with ergonomic 2-component screwdriver grip

Blade: CHROME-VANADIUM, hardened and **chromium-plated** with black tip.
Grip: impact-resistant plastic (cadmium-free), black/green.

Order no.	TORX	A	L1	L	Weight [g]
47407	T 8	2,31	60	140	37
47415	T 9	2,50	60	140	37
47423	T10	2,74	80	160	39
47431	T15	3,27	80	170	41
47449	T20	3,86	100	190	56
47456	T25	4,43	100	200	60



Recommendations



No. 918-HT8C,
page 40



No. 907Q,
page 38

No. 907Q

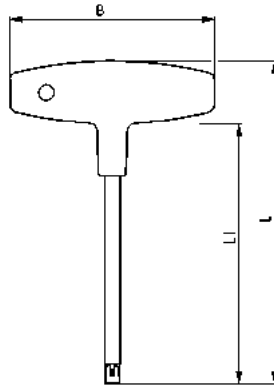
TORX key with T-grip

Blade: CHROME-VANADIUM, hardened and **chromium-plated** with black tip.

Grip: impact-resistant plastic (cadmium-free), green.



Order no.	TORX	A	B	L	L1	Weight [g]
45906	T 9	2,50	80	125	100	35
45914	T10	2,74	80	125	100	35
45922	T15	3,27	80	125	100	36
45930	T20	3,86	100	125	100	60
45948	T25	4,43	100	125	100	60
45955	T27	4,99	100	131	100	70
45963	T30	5,52	100	131	100	75
45989	T40	6,65	100	131	100	80
46029	T50	8,83	120	188	150	160



Recommendations



No. 906QE, page 10



No. 906QZ, page 32

No. 907Q-WT7

TORX workshop stand

with T-grip TORX key no. 907Q, 7-piece set.

Blades: CHROME-VANADIUM, hardened and **chromium-plated** with black tip.

Grip: impact-resistant plastic (cadmium-free), green.

Stand: single-grade, impact-resistant **plastic** with clips for connecting further workshop stands.



Order no.	Contents: TORX x blade length L1	Weight [g]
46722	T10x100, T15x100, T20x100, T25x100, T30x100, T40x100, T50x150	660

Recommendations



No. 906QE-WM7, page 11



Space for two additional TORX keys

Subject to technical alterations.

No. 918-HT8F

COLOR ball-ended TORX key - key holder

8-piece.

Key: CHROME VANADIUM, long, hardened, nickel-plated and colour-coded.



Order no.	Contents TORX	Weight [g]
48918	T9, 10, 15,20, 25, 27, 30, 40	147

Advantage:

- Quick location
- powder-coated **colour-coding** by size
- no risk of confusion

Recommendations



No. 911LG-H100F,
page 24



No. 929SB-33,
page 41

No. 908L-HT13C

TORX key holder

with TORX keys, **extra long**, 13-piece set.
Key: CHROME VANADIUM, hardened, **steel-grey**.
Holder: with self-service rack slot.



Order no.	Contents TORX	Weight [g]
45369	T5, 6, 7, 8, 9, 10, 15, 20, 25, 27, 30, 40, 50	440

Recommendations



No. 911LG-HM9D,
page 26



No. 911L-HZ 9D,
page 33



No. 918-HT8F,
page 39

No. 918-HT8C

Ball-ended TORX hexagon key

with TORX ball-ended hexagon keys, **long**, 8-piece set.
Key: CHROME VANADIUM, hardened, **steel-grey**.
Holder: with self-service rack slot.



Order no.	Contents TORX	Weight [g]
48900	T9, 10, 15, 20, 25, 27, 30, 40	165



Recommendations



No. 907Q-WT7,
page 38



No. 911HZ 9D,
page 32



No. 911-HM9C,
page 19

No. 929MB-25
**Mini-Bit-Set
made of high quality tool steel**

with screwdriver holder and magnetic extension.
two-component box, black-orange.
Bits from high-quality tool steel, hardened, zinc-plated, **colour-coded**.



Order no.	L x W x H	Weight [g]
48264	67 x 22 x 117	200

Design:

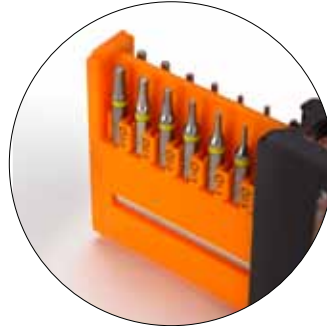
In practical plastic box, with screwdriver holder and magnetic extension.
Content:
7 Hexagon socket screwdriver: 0.7 - 0.9 - 1.3 - 1.5 - 2.0 - 2.5 - 3.0 mm
4 PHILLIPS screwdriver: 000 - 00 - 0 - 1
2 POZI screwdriver: 0 - 1
5 Slotted screwdriver: 1.0 - 1.5 - 2.0 - 2.5 - 3.0 mm
6 TORX screwdriver: T4 - T5 - T6 - T7 - T8 - T9
1 Bit holder, magnetic
1 Screwdriver holder, aluminium

Application:

Ideal for use in the model-making and electrical industries.

Advantage:

- Quickly locate the required bits required through colour-coding
- Simply push the button to open the box
- Including storage pocket for your screws
- Magnetic holder for easy handling


Recommendations


No. 918-HT8F,
page 39



No. 907SH,
page 36

No. 929SB-33
**Precision-Bit Set
made of high quality tool steel**

with screwdriver holder and magnetic extension.
two-component box, black-orange.
Bits from high-quality tool steel, hardened, zinc-plated, **colour-coded**.



Order no.	L x W x H	Weight [g]
48280	67 x 22 x 117	295

Design:

In practical plastic box, with screwdriver holder and magnetic extension.
Content:
4 Hexagon socket screwdriver: 3 - 4 - 5 - 6 mm
4 PHILLIPS screwdriver: 1 - 2 - 2 - 3
4 POZI screwdriver: 1 - 2 - 2 - 3
4 Slotted screwdriver: 3 - 4 - 5 - 6 mm
8 TORX screwdriver: T8 - T10 - T15 - T20 - T25 - T27 - T30 - T40
7 TAMPER TORX: T10 - T15 - T20 - T25 - T27 - T30 - T40
1 Bit adapter: 1/4" x 1/4"
Quick-change bit holder

Application:

The perfect companion for your daily work and your hobby.

Advantage:

- Quickly locate the required bits required through colour-coding
- Simply push the button to open the box
- Magnetic holder for easy handling


Recommendations


No. 908L-HT13C,
page 40



No. 907Q-WT7,
page 38

TOOLS FOR THREADED FASTENERS FOR TRADE AND INDUSTRY.

Troughout the world, AMF is a hallmark for high-quality screwdriving tools for tradespeople and industry.

Our products prove themselves millions of times every day.

FROM DIN TO COMPANY STANDARDS.

Technical perfection is our standard. The results of this quality: a long working-life, precise transmission of force and thus the greatest possible safety, and user-friendliness in every detail. From socket wrenches to hook wrenches, from pin wrenches to open-ended spanners, from drill drift to fire hydrant key, we have a broad and balanced program of screwdriving tools. Made of alloy steels with appropriate plated finishes for all applications. The following pages will give you an overview of this wide spectrum.

MADE-TO-MEASURE, FROM SMALL TO ENORMOUS.

One of our specialities is the manufacturer of special tools to customers' individual requirements. Special tools can also be made from existing ones but modified to meet your requirements. A drawing or sketch and the quantity required are all the information we need to quote.



APPLICATIONS AND SIZE RANGES HOOK WRENCHES DIN 1810A (CAT.-P. 44)

Size	DIN1804	DIN981			KMT	DIN70852	DIN1851-F
	M	M	KM	KML			
12 - 14	-	-	-	-	-	-	-
16 - 20	6 8	-	-	-	-	10	-
25 - 28	10 12	15 17	2 3	-	0	16	-
30 - 32	14 16	- 20	- 4	-	1	18 20	-
34 - 36	18 20	-	-	-	-	22	-
38 - 45	26	25 30	5 6	-	-	24 -	10 15
40 - 42	22 24	-	-	-	4	26 28	-
45 - 50	26 28 - 30	30 -	6 -	-	-	- 35	-
52 - 55	32 35	35 -	7 -	-	-	-	20
58 - 62	38 40 - 42	40 -	8 -	-	-	45	25
65 - 70	-	45 50	9 10	-	- 9	48 52	- 32
68 - 75	45 48 - 50	- 55	- 11	-	- 10	50 55	-
80 - 90	52 - 55 58 - 60	60 -	12 -	-	- 12	60 70	-
85 - 92	-	65 70	13 14	-	-	65 -	- 50
95 - 100	62 - 65 68 - 70	-	-	-	13 14	75 80	-
98 - 105	-	75 80	15 16	-	- 15	-	-

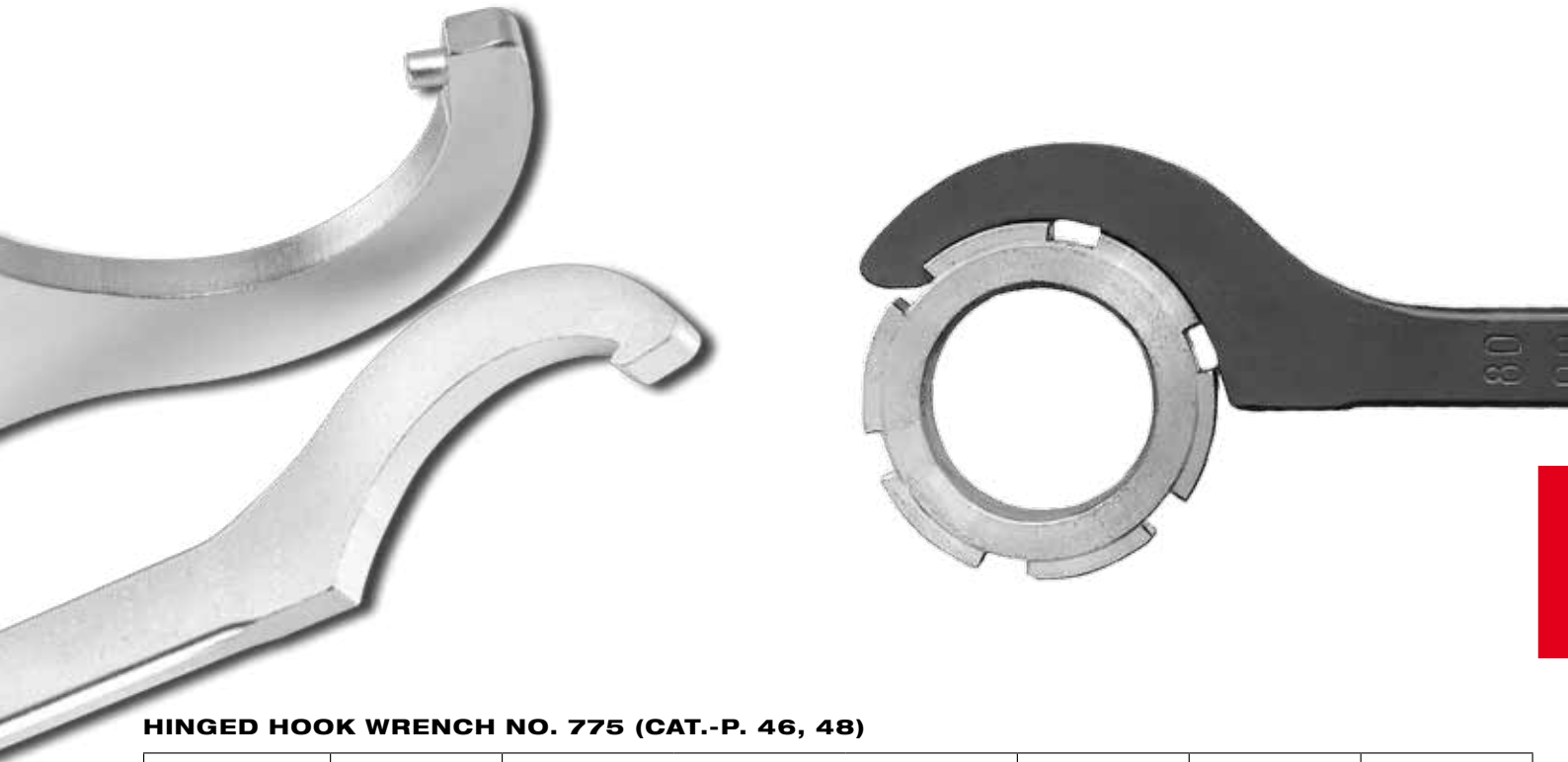
Size	DIN1804	DIN981			KMT	DIN70852	DIN1851-F
	M	M	KM	KML			
110 - 115	72 - 75 80	85 -	17 -	-	16 -	-	65
120 - 130	85 90	90 100	18 20	-	17 19	105	-
135 - 145	95 100	110 120	22 -	- 24	20 22	115	-
155 - 165	105 - 110 115 - 120	120 - 130 130 - 140	24 26	26 28	24 26	125 135	-
180 - 195	125 - 130 140	140 - 150 150	28 30	30 -	- 32	150 -	-
205 - 220	150 160	- 170 - 190	- 34	- 38	34 -	175 180	-
230 - 245	170 180	180 -	36 -	-	-	190 -	-

Size	DIN1804	DIN981					
		M	Tr				
260 - 270	190 200	220x4 210x4	3044 42 T	-	-	-	-
280 - 300	-	220x4 240x4	44 T 48 T	-	-	-	-
300 - 320	-	240x4 250x4	48 T 50 T	-	-	-	-
320 - 345	-	250x4 -	50 T -	-	-	-	-
350 - 375	-	-	-	-	-	-	-
380 - 400	-	-	-	-	-	-	-
480 - 500	-	-	-	-	-	-	-

Subject to technical alterations.

ADJUSTABLE HOOK WRENCHES WITH NOSE NO. 771C AND NO. 771MD (CAT.-P. 50)

Size	DIN 1804 M	DIN 981			DIN 11851-F DN
		M	KM	KML	
20 - 42	8 - 24	12 - 25	1 - 5	-	10
45 - 90	26 - 60	30 - 65	6 - 13	-	15 - 50
95 - 165	62 - 120	75 - 140	15 - 26	24 - 28	65 - 100



HINGED HOOK WRENCH NO. 775 (CAT.-P. 46, 48)

Size	DIN 1804 M	M	DIN 981		KMT	DIN 11851-F DN	DIN 70852 M
			KM	KML			
20 - 35	8 - 18	12 - 20	1 - 4	-	0 - 2	-	10 - 20
35 - 60	20 - 38	25 - 40	5 - 8	-	3 - 7	10 - 20	22 - 42
60 - 90	40 - 60	45 - 65	9 - 13	-	8 - 12	25 - 40	42 - 70
90 - 155	58 - 110	70 - 130	14 - 24	24, 26	13 - 24	50 - 100	70 - 125
155 - 230	105 - 170	120 - 190	24 - 36	26 - 38	24 - 38	125 - 150	125 - 190

HOOK WRENCH DIN 1810B AND NO. 776 (CAT.-P. 45, 47, 49, 50)

1810B Size	DIN 1816 M	776 Size	1810B Size	DIN 1816 M	776 Size	1810B Size	DIN 1816 M	776 Size
16 - 18	6	16 - 22	58 - 62	42	60 - 90	135 - 145	95	95 - 155
20 - 22	8	22 - 35	68 - 75	45			100	
25 - 28	10			48		155 - 165	105	
	12			50			110	
30 - 32	14		80 - 90	52		180 - 195	115	
	16			55	120			
34 - 36	18	95 - 100	58	205 - 220	125			
	20		60		130			
40 - 42	22		110 - 115	62	230 - 245	140		
	24			65		150		
45 - 50	26			120 - 130	68	260 - 270	160	
	28	70			170			
30	72	180			-			
52 - 55	32	95 - 155	75	190	-			
	35		80	200	-			
58 - 62	38	60 - 90	85					
	40		90					

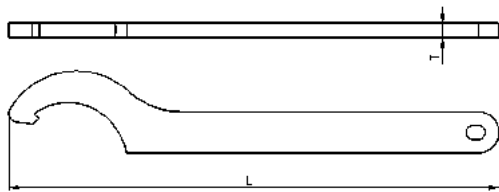
Subject to technical alterations.

DIN 1810A

Hook wrench with nose

for grooved nuts to DIN 1804 and bearing nuts to DIN 981.
Special steel, machined nose, edges ground, hardened and blued.

Rounded edges for better handling.



Recommendations



No. 775C,
page 48

No. 771Md,
page 50

Order no.	Size	L	T	Weight [g]
54585	12- 14	110	3	25
54593	16- 20	110	3	25
54601	25- 28	136	4	45
54619	30- 32	136	4	50
54627	34- 36	170	5	90
54387	(38- 45)	170	5	95
54635	40- 42	170	5	90
54643	45- 50	206	6	155
54650	52- 55	206	6	160
54668	58- 62	240	7	260
54403	(65- 70)	240	7	255
54676	68- 75	240	7	255
54684	80- 90	280	8	410
54429	(85- 92)	280	8	410
54692	95-100	280	8	405
54445	(98-105)	290	8	405
54700	110-115	335	10	745
54718	120-130	335	10	720
54726	135-145	385	10*	1000
54734	155-165	385	10*	965
54742	180-195	470	10*	1500
54759	205-220	470	10*	1580
54767	230-245	568	10*	2250
54775	260-270	568	10*	2250
54783	280-300	680	15	5150
54841	300-320	695	15	5100
54791	320-345	695	15	5200
54809	350-375	735	15	5200
54817	380-400	770	15	6700
54825	480-500	988	20	13000

* Thickness not to DIN () DIN extended

On request:

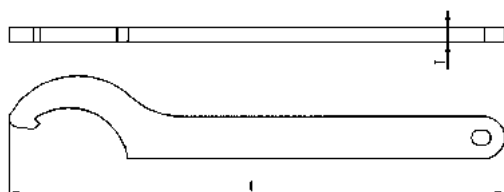
Intermediate sizes and other material thicknesses for quantities above 100 on request. Available in stainless steel on request (up to 6 mm thick).

DIN 1810AD

Hook wrench with nose

for grooved nuts to DIN 1804 and bearing nuts to DIN 981.
Special steel, machined nose, edges ground, hardened and high-grade zinc-plated.

Rounded edges for better handling.



Order no.	Size	L	T	Weight [g]
55103	16- 20	110	3	25
55111	25- 28	136	4	45
55129	30- 32	136	4	50
55137	34- 36	170	5	90
55152	40- 42	170	5	90
55160	45- 50	206	6	155
55178	52- 55	206	6	160
55186	58- 62	240	7	260
55202	68- 75	240	7	255
55210	80- 90	280	8	410
55236	95-100	280	8	405
55251	110-115	335	10	745
55269	120-130	335	10	720
55277	135-145	385	10*	1000
55285	155-165	385	10*	965

* Thickness not to DIN

Recommendations



No. 775NI,
page 48

Subject to technical alterations.

DIN 1810B

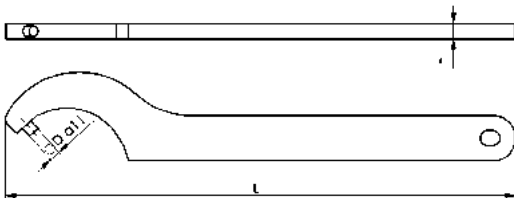
Hook wrench with pin

for nuts with radial holes to DIN 1816.
Special steel, hardened and **blued**.
Rounded edges for better handling.



Order no.	Size	dia. D	L	T	Weight [g]
54874	12- 14	2,0	110	3	25
54882	16- 18	2,5	110	3	25
54890	20- 22	2,5	110	3	25
54908	25- 28	3	136	4	55
54916	30- 32	4	136	4	55
54924	34- 36	4	170	5	100
54932	40- 42	4	170	5	100
54940	45- 50	5	206	6	165
54957	52- 55	5	206	6	165
54965	58- 62	5	240	7	270
54973	68- 75	6	240	7	270
54981	80- 90	6	280	8	410
54999	95-100	8	280	8	410
55004	110-115	8	335	8*	610
55012	120-130	8	335	8*	610
55020	135-145	8	380	8*	790
55038	155-165	8	380	8*	790
55046	180-195	10	470	10*	1500
55053	205-220	10	470	10*	1580
55061	230-245	10	568	10*	2250
55079	260-270	10	568	10*	2250

* Thickness not to DIN (..) similar DIN.



On request:

Intermediate sizes or other pin diameters for quantities above 100 on request. Available in stainless steel on request (up to 6 mm thick).

Recommendations



No. 776C,
page 49

No. 776Md,
page 50

DIN 1810BD

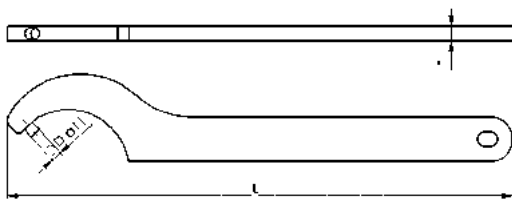
Hook wrench with pin

for nuts with radial holes to DIN 1816.
Special steel, hardened and **high-grade zinc-plated**.
Rounded edges for better handling.



Order no.	Size	dia. D	L	T	Weight [g]
55400	16- 18	2,5	110	3	25
55418	20- 22	2,5	110	3	25
55426	25- 28	3	136	4	55
55434	30- 32	4	136	4	55
55442	34- 36	4	170	5	100
55459	40- 42	4	170	5	100
55467	45- 50	5	206	6	165
55475	52- 55	5	206	6	165
55483	58- 62	5	240	7	270
55491	68- 75	6	240	7	270
55509	80- 90	6	280	8	410
55517	95-100	8	280	8	410
55525	110-115	8	335	8*	630
55533	120-130	8	335	8*	630
55541	135-145	8	380	8*	800
55558	155-165	8	380	8*	800

* Thickness not to DIN



Recommendations



No. 758S,
page 52

ASSEMBLY VERSION

Advantages:

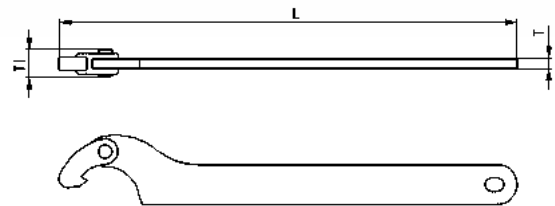
- > **Lightweight** keys, for frequent actuation, reduced fatigue
- > **Short** version, fits into every pocket and toolbox

No. 775SC

Hinged hook wrench with nose, assembly version

for grooved nuts to DIN 1804 and bearing nuts to DIN 981.
Special steel, hardened and **blued**.
Rounded edges for better handling.

Order no.	Size	L	T	T1	Weight [g]
56697	20-35	135	3	8	40
56705	35-60	175	4	11	85
56713	60-90	240	6	13	250
56721	90-155	300	7	15	425
56739	155-230	420	8	18	1015



Recommendations



No. 771C,
page 50

No. 775SNI

Hinged hook wrench with nose, assembly version, stainless steel

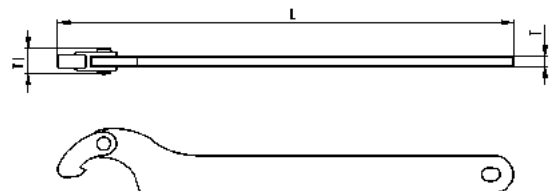
for grooved nuts to DIN 1804, bearing nuts to DIN 981
and for couplings and fittings to DIN 11851.

Stainless steel.

Rounded edges for better handling.



Order no.	Size	L	T	T1	Weight [g]
56796	20-35	135	3	8	35
56804	35-60	175	4	11	75
56812	60-90	240	5	13	185
56820	90-155	300	6	15	320
56838	155-230	420	8	18	860



Recommendations



No. 771Md,
page 50

Subject to technical alterations.

ASSEMBLY VERSION

Advantages:

- > **Lightweight** keys, for frequent actuation, reduced fatigue
- > **Short** version, fits into every pocket and toolbox
- > All common pin diameters available.

No. 776SC

Hinged hook wrench with pin, assembly version

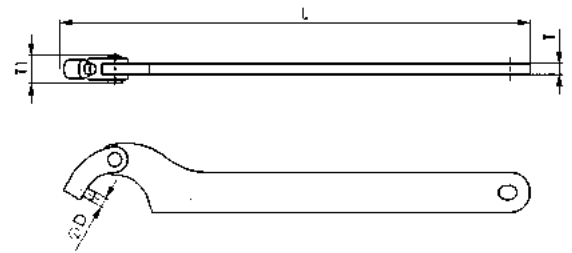
for nuts with radial holes to DIN 1816.

Special steel, hardened and **blued**.

Rounded edges for better handling.

Order no.	Size	dia. D	L	T	T1	Weight [g]
51821	20-35	2,5*	135	3	8	40
51839	20-35	3,0	135	3	8	40
51847	20-35	4,0	135	3	8	40
51854	35-60	4,0*	175	4	11	85
51862	35-60	5,0	175	4	11	85
51870	60-90	5,0*	245	6	13	250
51888	60-90	6,0	245	6	13	250
51896	90-155	6,0*	300	7	15	425
51904	90-155	8,0	300	7	15	425
51912	155-230	8,0	420	8	18	1015

* If no pin diameter is given in the order, we supply the pin diameter marked with a *.



Recommendations



No. 776C,
page 49



No. 776Md,
page 50



Subject to technical alterations.

INDUSTRIAL VERSION

Advantages:

- > Longer shank for increased torque
- > Extended hook for greater contact and safer use
- > Strengthened rivet increases working life and permits transmission of greater forces, especially with smaller sizes
- > Even movement due to additional spring washer, one-handed operation possible

No. 775C

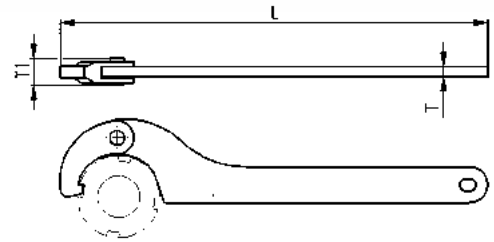
Hinged hook wrench with nose, industrial version

for grooved nuts to DIN 1804 and bearing nuts to DIN 981.
Special steel, hardened and **blued**.

With hole for hanging up. Extended hook and shank, strengthened rivet, spring washer.

Rounded edges for better handling.

Order no.	Size	L	T	T1	Weight [g]
51649	20- 35	165	4	10,5	85
51656	35- 60	210	5	12,5	170
51664	60- 90	280	6	14,5	360
51672	90- 155	335	7	17,5	610
51680	155-230	460	8	17,5	1200



No. 775D

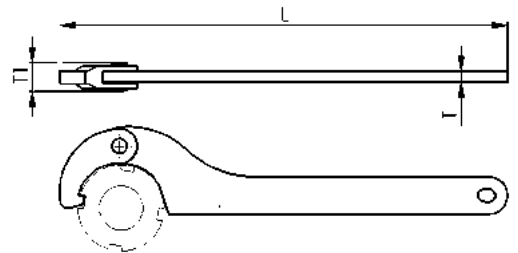
Hinged hook wrench with nose, industrial version

for grooved nuts to DIN 1804 and bearing nuts to DIN 981.
Special steel, edges ground, hardened and **nickel-plated**.

With hole for hanging up. Extended hook and shank, strengthened rivet, spring washer.

Rounded edges for better handling.

Order no.	Size	L	T	T1	Weight [g]
51730	20 - 35	165	4	10,5	85
51748	35 - 60	210	5	12,5	170
51755	60 - 90	280	6	14,5	360
51763	90 -155	335	7	17,5	610
51771	155-230	460	8	17,5	1200



No. 775NI

Hinged hook wrench with nose, industrial version, stainless steel

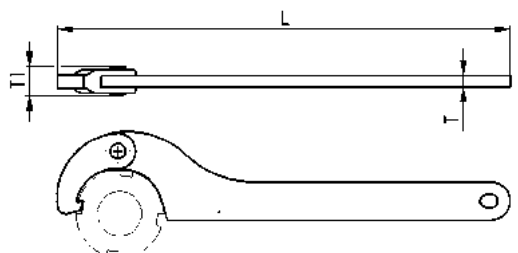
for grooved nuts to DIN 1804, bearing nuts to DIN 981 and for couplings and fittings to DIN 11851.

Stainless steel. With hole for hanging up.

Extended hook and shank, strengthened rivet, spring washer.

Rounded edges for better handling.

Order no.	Size	L	T	T1	Weight [g]
52183	20- 35	165	4	10,5	85
52191	35- 60	210	5	12,5	170
52209	60- 90	280	6	14,5	360
52217	90- 155	335	6	17,5	580
52225	155-230	460	8	17,5	1200



Subject to technical alterations.

INDUSTRIAL VERSION

Advantages:

- > Longer shank for increased torque
- > Extended hook for greater contact and safer use
- > Strengthened rivet increases working life and permits transmission of greater forces, especially with smaller sizes
- > Even movement due to additional spring washer, one-handed operation possible
- > Improved ratio of pin diameter to nut diameters

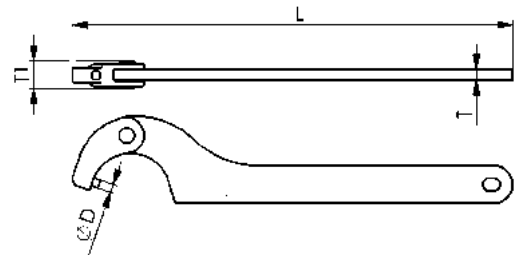
No. 776C

Hinged hook wrench with pin, industrial version

for nuts with radial holes to DIN 1816.
 Special steel, hardened and **blued**.
 With hole for hanging up. Extended hook and shank, strengthened rivet, spring washer and optimised radial areas.
Rounded edges for better handling.

Order no.	Size	dia. D	L	T	T1	Weight [g]
53058	16-22	2,5	135	3	7,5	50
53066	22-35	3,0	165	4	10,5	85
53074	35-60	4,0	205	5	12,5	170
53181	60-90	5,0*	280	6	14,5	380
53082	60-90	6,0	280	6	14,5	380
53090	95-155	6,0*	335	7	17,5	610
53199	95-155	8,0	335	7	17,5	610
53173	165-230	8,0	460	8	17,5	1200
53108	165-230	10,0*	460	8	17,5	1200

* If no pin diameter is given in the order, we supply the pin diameter marked with a *.
 Sizes 16-22 without retaining ring.



Recommendations



No. 776Md,
page 50



DIN 1810B,
page 45

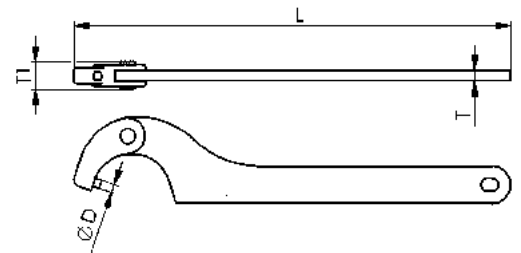
No. 776D

Hinged hook wrench with pin, industrial version

for grooved nuts to DIN 1816.
 Special steel, hardened and **nickel-plated**. With hole for hanging up.
 Extended hook and shank, strengthened rivet, spring washer and optimised radial areas.
Rounded edges for better handling.

Order no.	Size	dia. D	L	T	T1	Weight [g]
53116	16-22	2,5	135	3	7,5	50
53124	22-35	3,0	165	4	10,5	85
53132	35-60	4,0	205	5	12,5	170
53140	60-90	6,0	280	6	14,5	380
53157	95-155	6,0	335	7	17,5	610
53165	165-230	10,0	460	8	17,5	1200

Sizes 16-22 without retaining ring.



Recommendations



DIN 1810BD,
page 45



No. 250,
page 57

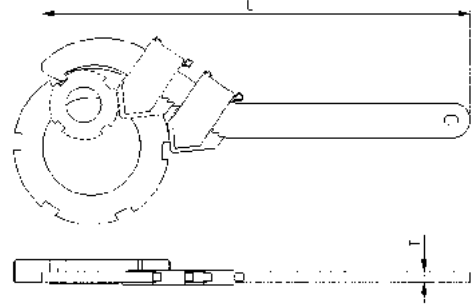
No. 771C

Adjustable hook wrench with nose

for grooved nuts to DIN 1804 and bearing nuts to DIN 981.
Special steel, hardened and **blued**.
Rounded edges for better handling.



Order no.	Size	L	T	Weight [g]
51201	20 - 42	180	4	100
51219	45 - 90	250	6	250
51227	95 - 165	335	10	710



No. 771Md

Adjustable hook wrench with nose and torque wrench socket

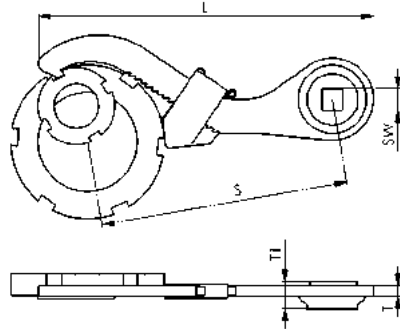
for grooved nuts to DIN 1804 and bearing nuts to DIN 981.
Special steel, hardened and **blued**.
Drive: square socket



Order no.	Size	Drive SW [Zoll]	L	S	T	T1	Weight [g]
51516	20 - 42	1/2	135	100	4	16,0	165
51532	45 - 90	1/2	192	150	6	16,0	310
51557	95 - 165	3/4	298	220	10	20,5	910

Note:

The set value for the torque wrench is dependant on insertion dimension „S“.
The operating manual provided with your torque wrench contains the requisite information and calculation formulae.



No. 776Md

Hinged hook wrench with pin and torque wrench socket

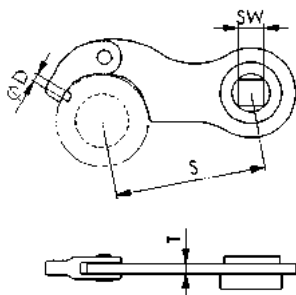
For nuts with radial holes to DIN 1816.
Special steel, hardened and **blued**.
Drive: square socket



Order no.	Size	Drive SW [Zoll]	dia. D	S	T	Weight [g]
52753	35-60	1/2	4	75	5	185
52761	60-90	1/2	6	100	6	320

Note:

The set value for the torque wrench is dependant on insertion dimension „S“.
The operating manual provided with your torque wrench contains the requisite information and calculation formulae.



Recommendations



No. 771Md,
page 50



No. 902Md,
page 58



No. 250Md,
page 58

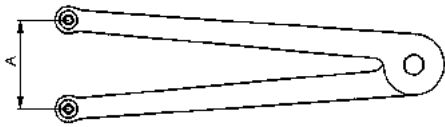


Subject to technical alterations.

No. 758

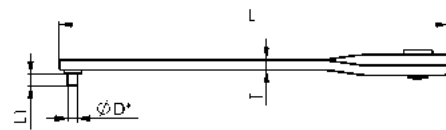
Adjustable pin wrench

Size 7-40 with riveted pins, from size 11-60 with pins electrically welded. Special steel, **blued**.



Order no.	A	dia. D*	L1	L	T	Weight [g]
40477	7 - 40	1,5	2	115	3	40
40485	7 - 40	2,0	2,5	115	3	40
40493	7 - 40	2,5	3	115	3	40
40618	11 - 60	3	4	160	4	140
40626	11 - 60	4	5	160	4	140
40634	11 - 60	5	6	160	4	140
40758	14 - 100	5	6	215	6	300
40766	14 - 100	6	7	215	6	300
40774	14 - 100	8	8	215	6	300
40899	22 - 125	8	8	260	6	500
40907	22 - 125	10	10	260	6	500
40915	22 - 125	12	12	260	6	500

* Pin diameter = nominal diameter -0.1mm (tolerance class h12).



Recommendations



No. 758S,
page 52



No. 758CC,
page 52

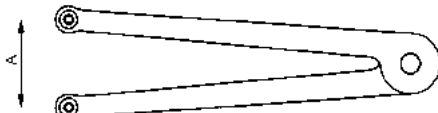


No. 776D,
page 49

No. 758NI

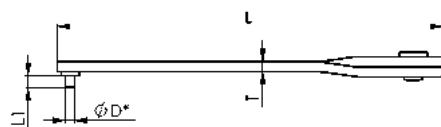
Adjustable pin wrench stainless steel

with electrically welded pins.



Order no.	A	dia. D*	L1	L	T	Weight [g]
50500	11 - 60	3	4	162	4	115
50526	11 - 60	4	5	162	4	115

* Pin diameter = nominal diameter -0.1 mm (tolerance class h12)



Recommendations



No. 758S,
page 52

No. 758S

Adjustable pin wrench set

with replaceable, hardened pin in two-component box, black-orange. Keys: Special steel, **zinc-plated**.



Order no.	A	Pin dia.	Box L x B x H	Weight [g]
50427	8-100	1.5, 2, 2.5, 3, 4	165 x 87 x 36	335

Application:

Ideal for mechanics, maintenance and service technicians, at the workbench and for do-it-yourselfers.

Advantage:

The adjustable face spanner set replaces 5 individual key sizes. The exchangeable pins (2 per size) are clearly stored in 2 separate boxes. The robust 2-component box protects the keys and the pins, and everything is always accessible.

Recommendations



No. 764Md,
page 54



DIN 3116,
page 56

No. 758CC

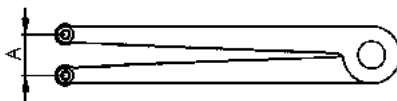
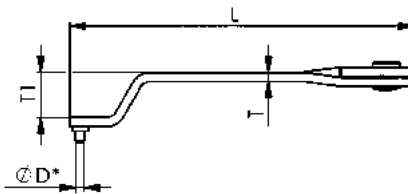
Adjustable pin wrench, cranked

with electrically welded pins. Special steel, hardened and **blued**.



Order no.	A	dia. D*	L	T	T1	Weight [g]
50914	11-60	3	153	4	20	120
50922	11-60	4	153	4	20	120
50930	14-90	5	205	6	27	310
50948	14-90	6	205	6	27	310

* Pin diameter = nominal diameter -0.1mm (tolerance class h12).



Recommendations



DIN 3116C,
page 56

Subject to technical alterations.

No. 764

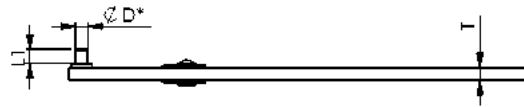
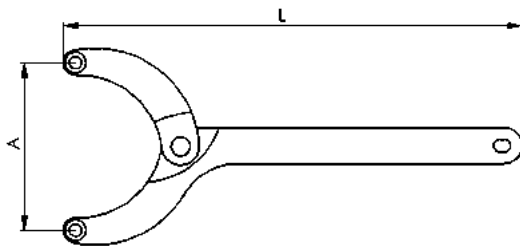
Hinged pin wrench

with electrically welded pins. With hole for hanging up. Special steel, **blued**.



Order no.	A	dia. D*	L	L1	T	Weight [g]
41038	18-40	3	150	4	5	100
41046	18-40	4	150	5	5	100
41053	40-80	4	220	5	6	265
41061	40-80	5	220	6	6	265
41079	40-80	6	220	7	6	265
41087	80-125	6	295	7	8	650
41095	80-125	7	295	7,5	8	650
41103	80-125	8	295	8	8	650
41111	125-200	8	405	8	10	1590
41129	125-200	10	405	10	10	1590

* Pin diameter = nominal diameter -0.1 mm (tolerance class h12)



Recommendations



No. 758S,
page 52

No. 764CC

Hinged pin wrench, offset

Replaceable, hardened pins (version AZ).
Special steel, hardened and **blued**

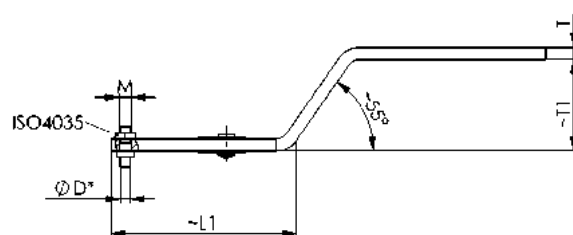
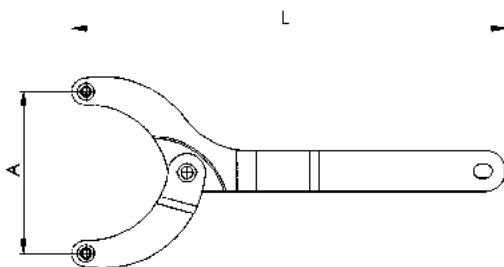


Order no.	A	dia. D*	Suitable for 764AZ4 ØD*	M	L	L1	T	T1	Weight [g]
51011	18-40	-	3 + 4	M4	158	57	5	33	110
51029	40-80	-	4 + 5 + 6 + 7 + 8	M6	215	92	6	45	280
51037	80-125	-	4 + 5 + 6 + 7 + 8	M6	290	130	8	63	680
51052	18-40	3	-	M4	158	57	5	33	114
51060	18-40	4	-	M4	158	57	5	33	114
51078	40-80	4	-	M6	215	92	6	45	290
51086	40-80	5	-	M6	215	92	6	45	290
51094	40-80	6	-	M6	215	92	6	45	295
51102	80-125	6	-	M6	290	130	8	63	695
51110	80-125	8	-	M6	290	130	8	63	700

* Pin diameter = nominal diameter -0.1 mm (tolerance class h12)

Note:

Ideal accessory for sizes 40 - 80 and 80 - 125: assortment box with loose pins (no. 764ZB-M6)



Recommendations



No. 758CC,
page 52



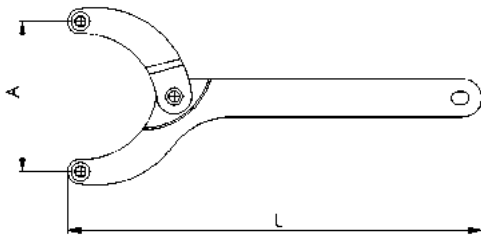
No. 764ZB-M6,
page 55

Subject to technical alterations.

No. 764AZ

Hinged pin wrench

with replaceable, hardened pins (version AZ), fully assembled.
With hole for hanging up. Special steel, **blued**.

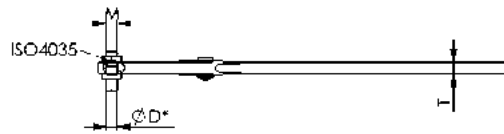


Order no.	A	dia. D*	M	L	T	Weight [g]
40998	18 - 40	3	M4	150	5	100
41004	18 - 40	4	M4	150	5	100
41012	40 - 80	4	M6	220	6	265
41020	40 - 80	5	M6	220	6	265
41137	40 - 80	6	M6	220	6	265
41145	80 - 125	6	M6	295	8	650
41152	80 - 125	7	M6	295	8	650
41160	80 - 125	8	M6	295	8	650
41277	125-200	8	M8	405	10	1590
41285	125-200	10	M8	405	10	1590

* Pin diameter = nominal diameter -0,1 mm (tolerance class h12)

Note:

Ideal accessory for sizes 40 - 80 and 80 - 125: assortment box with loose pins (no. 764ZB-M6)



Recommendations



No. 764Md,
page 54

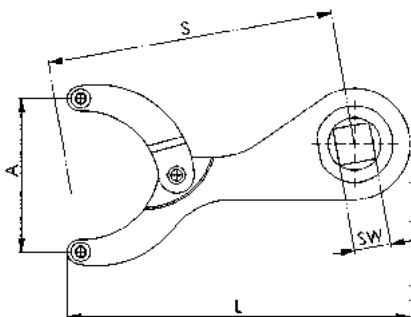


No. 764ZB-M6,
page 55

No. 764Md

Hinged pin wrench with torque wrench socket

Replaceable, hardened pins (version AZ).
Special steel, hardened and **blued**.
Drive: square socket



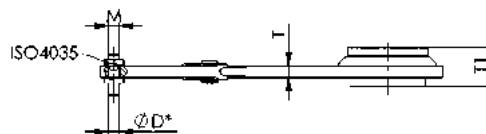
Order no.	A	Drive SW [Zoll]	dia. D*	Suitable for 764AZ4 ØD*	M	L	S	T	T1	Weight [g]
50096	18-40	1/2	-	3 + 4	M4	120	100	5	16,0	150
50104	40-80	3/4	-	4 + 5 + 6 + 7 + 8	M6	180	150	6	20,5	440
50112	80-125	3/4	-	4 + 5 + 6 + 7 + 8	M6	250	220	8	20,5	780
50146	18-40	1/2	4	-	M4	120	100	5	16,0	155
50161	40-80	3/4	5	-	M6	180	150	6	20,5	450
50179	40-80	3/4	6	-	M6	180	150	6	20,5	455
50187	80-125	3/4	6	-	M6	250	220	8	20,5	795
50195	80-125	3/4	8	-	M6	250	220	8	20,5	800

* Pin diameter = nominal diameter -0,1 mm (tolerance class h12)

Note:

The set value for the torque wrench is dependant on insertion dimension „S“.
The operating manual provided with your torque wrench contains the requisite information and calculation formulae.

Ideal accessory for sizes 40 - 80 and 80 - 125: assortment box with loose pins (no. 764ZB-M6)



No. 764ZB-M6

Assortment box with loose pins

For flexible socket wrench no. 764AZ and 764Md
2 pins each per size, incl. nuts in a clearly arranged assortment box.

Loose pin no. 764AZ4: special steel, hardened and blued.

Assortment box: transparent, reclosable



Order no.	Pin dia.	Nut (DIN439)	Usage 764AZ/764Md/764CC	Box L x B x H	Weight [g]
50666	4-5-6-7-8	10 x M6	40-80 / 80-125	90 x 65 x 20	95

* Pin diameter = nominal diameter -0.1 mm; tolerance class h12.

Application:

Ideal for maintenance and service technicians, at the workbench and for do-it-yourselfers.

Recommendations



No. 764AZ,
page 54

No. 764AZ4

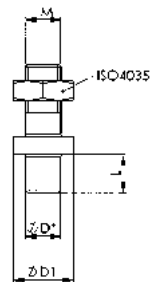
Loose pin with nut

for nos. 764AZ, 764CC and 764Md pin wrenches with replaceable pins. Special steel, hardened and blued.



Order no.	dia. D*	dia. D1	L	M	Usage 764AZ/764Md/764CC	Weight [g]
47795	3	5,5	4,0	M 4	18-40	2
47803	4	7,0	5,0	M 4	18-40	2
50328	4	8,5	4,5	M 6	40-80 / 80-125	3
47787	5	8,5	5,5	M 6	40-80 / 80-125	5
47845	6	10,0	6,5	M 6	40-80 / 80-125	7
47852	7	11,0	7,0	M 6	40-80 / 80-125	8
47860	8	12,0	7,5	M 6	40-80 / 80-125	9
47878	8	12,0	7,5	M 8	125-200	14
47886	10	15,0	9,5	M 8	125-200	19

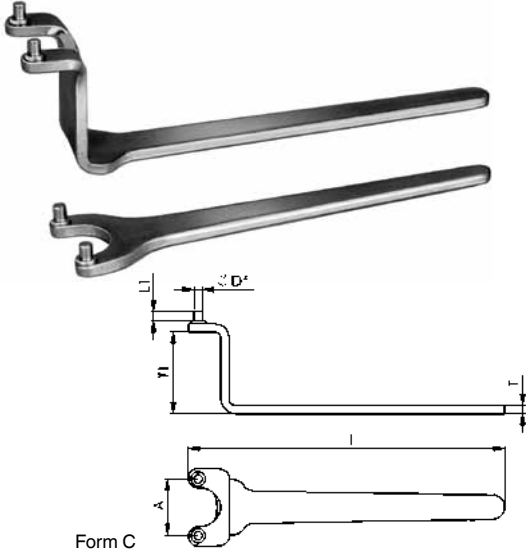
* Pin diameter = nominal diameter -0.1 mm (tolerance class h12)



DIN 3116

Wrench for 2 hole nuts

Special steel, **zinc-plated**.
With electrically welded pins.

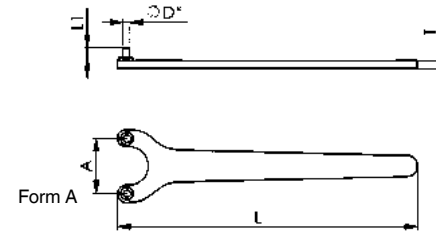


Order no.	Form	A	dia. D*	L	L1	T	T1	Weight [g]
50997	A	30	4	164	5	4	-	85
44685	A	35	5	180	6	5	-	120
44669	C	35	(5)	200	6	5	50	200

* Pin diameter = nominal diameter -0.1 mm (tolerance class h12)
() DIN extended

Application:

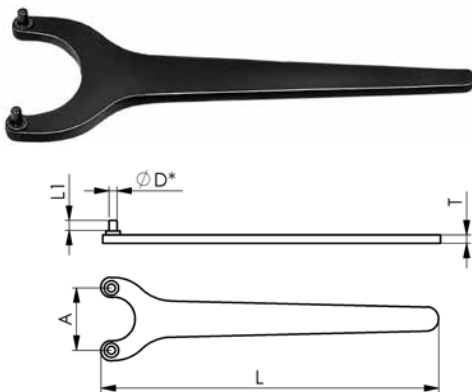
Size 35 for flange nut DIN 44716-D of angle grinder DIN 44706 for clamping grinding and cutting-off wheels.



DIN 3116A

Wrench for 2 hole nuts

Special steel, **blued**.
With electrically welded pins.



Order no.	A	dia. D*	L	L1	T	Weight [g]
44453	13	2,5	90	3	3	27
44461	15	3	90	4	3	27
44479	20	(3)	122	4	4	50
44628	20	4	122	5	4	50
44636	25	3	137	4	4	65
44487	25	(4)	137	5	4	65
44495	30	4	164	5	4	85
44503	35	(4)	180	5	5	120
44644	35 **	5	180	6	5	120
44511	40	4	167	5	5	120
44529	45	4	187	5	5	145
44537	50	5	198	6	5	175
44545	60	5	213	6	6	220
44552	75	6	243	7	6	330
44560	90	7	270	7,5	6	410

* Pin diameter = nominal diameter -0.1 mm (tolerance class h12)
** Standard size for commercially available angle-grinders and cutters.
() DIN extended

Note:

Size 13 has riveted pins.
Sizes 13 and 15 without cut-out between pins for M8 and M10 nuts to DIN 547.

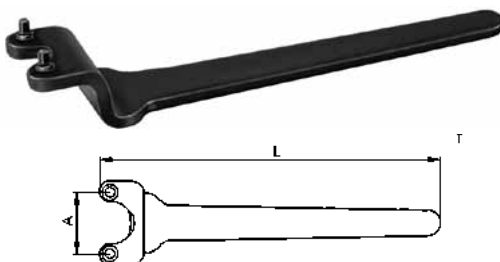
On request:

Zinc-plated on request.

DIN 3116C

Wrench for 2 hole nuts

Special steel, **blued**.
With electrically welded pins.

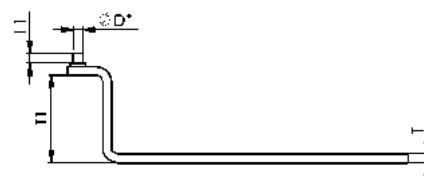


Order no.	A	dia. D*	L	L1	T	T1	Weight [g]
44651	18	3	140	4	4	15	95

* Pin diameter = nominal diameter -0.1 mm (tolerance class h12)

Note:

This wrench is used for adjusting timing belt tensioners (AUDI, VW).



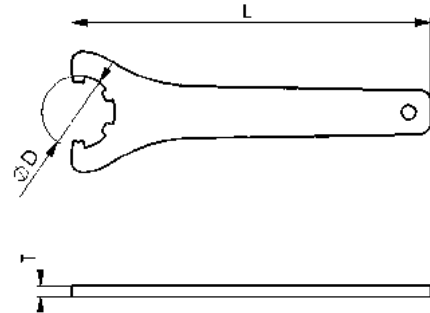
Subject to technical alterations.

No. 250

Collet chuck key

for collet chuck nuts (ER) to DIN 6499.
 Special steel, hardened and zinc-plated.
 With hole for hanging up.

Order no.	Size	DIN 6499D (Size)	D	L	T	Weight [g]
52233	16	16	32	163	4	125
52241	20	20	35	183	5	190
52258	25	25	42	203	6	255
52266	32	32	50	253	6	359
52274	40	40	63	285	6	480
52290	50	-	78	350	7	810



Recommendations



No. 250Md,
page 58



No. 250K,
page 60



No. 250Md

Key for collet chuck with torque wrench socket

for chuck nuts (ER) to DIN 6499.
Drive 1/2" square socket with ball-engagement groove.
Special steel, hardened and zinc-plated.



Order no.	Size	D	L	S	SW [Zoll]	T	T1	Weight [g]
52316	16	32	69	45	1/2	5	16	140
52308	25	42	85	60	1/2	6	16	200
52324	32	50	85	60	1/2	6	16	215
52340	40	63	85	60	1/2	6	16	220

Advantage:

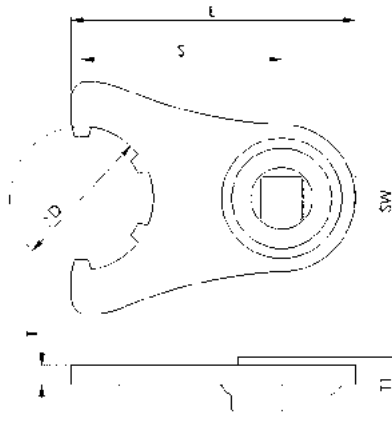
Controlled tightening prevents damage to spindle changing tools on a machine.

Note:

The set value for the torque wrench is dependant on insertion dimension „S“.
The operating manual provided with your torque wrench contains the requisite information and calculation formulae.

On request:

Other sizes available.



Recommendations



No. 250,
page 57



No. 771Md,
page 50

No. 902Md

Open-ended spanner with torque wrench socket

for clamping nuts. Drive 1/2" square socket with ball-engagement groove. Special steel, hardened and zinc-plated.



Order no.	SW	L	S	SW1 [Zoll]	T	T1	Weight [g]
52506	25	78	45	1/2	6	16	170
52514	36	101	60	1/2	7	16	255
52522	46	108	60	1/2	8	16	340

Advantage:

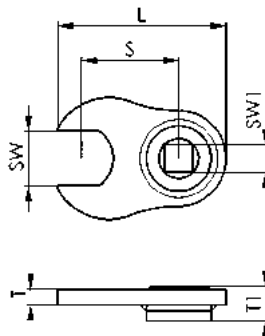
Controlled tightening prevents damage to spindle changing tools on a machine.

Note:

The set value for the torque wrench is dependant on insertion dimension „S“.
The operating manual provided with your torque wrench contains the requisite information and calculation formulae.

On request:

SW 65 fits clip no. 6540H - size M20/M24 available on request.



Recommendations



DIN 894,
page 64

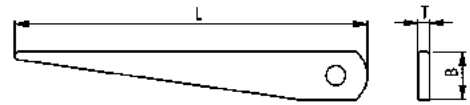
Subject to technical alterations.

DIN 317

Drill drift

Special steel, hardened and **blued**.

Order no.	Size	for tapers Morse	for tapers Metric	B x T	L	Weight [g]
40147	0	0	4 + 6	12x 3	90	14
40154	1	1 + 2	-	20x 5	140	70
40162	3	3	-	25x 7	190	150
40170	4	4	-	30x10	225	310
40188	5	5 + 6	-	35x15	265	650



Recommendations



No. 250,
page 57



DIN 6368,
page 60

No. 318

Drill drift, semi-automatic for morse tapers

Special steel, hardened and **blued**.

Grip: powder-coated, red. With finger protection!!

Order no.	Size	for tapers Morse	Length [mm]	Weight [g]
40220	1 - 3	1 - 3	330	370
40238	4 - 6	4 - 6	380	530

Advantage:

- One-hand operation
- Pressure on the lever moves a gear rack between two opposing wedges (the other hand holds the tool to prevent it falling).
- Releasing tools using the **semi-automatic drift** helps prevent spindle damage.



Recommendations



DIN 904,
page 63



No. 960,
page 60



No. 960

Socket wrench for coolant tubes HSK-A

(Hollow cone to DIN 69893)

Blade: Special steel, hardened and **zinc-plated**.

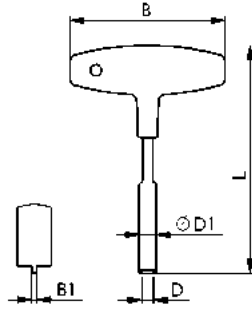
Grip: impact-resistant plastic (cadmium-free), black.



Order no.	Size = HSK-A	B	B1	D	D1	L	Weight [g]
47894	32	80	1,4	6,1	8,5	115	50
47902	40	80	1,9	8,1	10,5	115	60
47910	50	80	1,9	10,1	14,5	115	75
47928	63	100	2,4	12,2	16,5	136	125
47936	80	100	2,4	14,2	18,5	136	135
47944	100	100	2,9	16,2	22,0	136	165

On request:

On request with advertising or company imprint.



Recommendations



DIN 6368,
page 60



DIN 894,
page 64

No. 250K

Collet chuck key (Mini)

for collet chuck nuts (ER).

Special steel, hardened and **blued**.

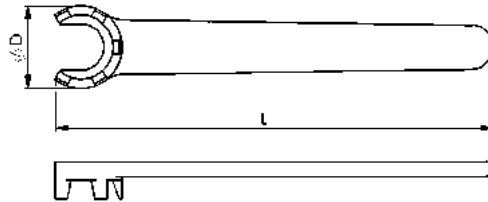


Recommendations



No. 250,
page 57

Order no.	Size	DIN 6499D (dia.)	for nuts	D	L	Weight [g]
52407	8	12	M10	13	75	14
52415	11	16	M13	17	95	30
52423	16	22	M19	23	115	50
52431	20	28	M24	29	130	61
52449	25	35	M30	35	143	78



DIN 6368

Wrench for milling arbor screws

for tightening milling arbor screws to DIN 6367.

Special steel, hardened and **blued**.



Recommendations

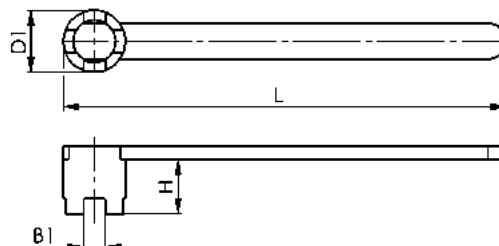


DIN 894,
page 64

No. 318,
page 59

Order no.	Size	for DIN 6367	B1	D1	H	L	Weight [g]
44727	13	M 6	6,1	18	16	160	75
44735	16	M 8	8,1	22	20	180	110
44743	22	M10	10,1	28	25	200	200
44750	27	M12	12,1	35	32	225	400
44768	32	M16	16,1	42	36	250	570
44776	40	M20	20,2	52	40	280	800
44784	50	M24	24,2	63	45	315	1100
44792	60	M30	28,2	76	50	355	1750

The size given here is the diameter of the mandrel on the milling arbor.



Subject to technical alterations.

DIN 22417A

Triangular socket spanner

Special steel. Body and tommy bar, zinc-plated.

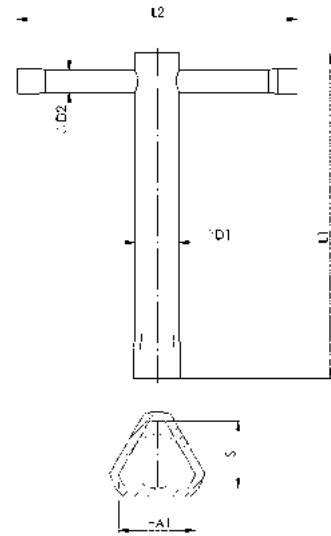


Order no.	Size	L1 x D1	L2 x D2	A1	S	Weight [g]
44354	M 4	90x10	50x 6	7,7	6,80	20
44362	M 5	100x12	65x 6	9,4	8,30	30
44370	M 6	115x14	80x 6	11,4	10,05	60
44388	M 8	125x16	100x 8	13,7	12,05	80
44396	M10	140x20	125x 8	17,1	15,05	160
44404	M12	160x20	160x10	18,9	16,55	240
44412	M16	180x25	200x12	23,5	20,55	400

*The size refers to the screw diameter.

Application:

These spanners are intended for triangular-head screws to DIN 22424 and nuts to DIN 22425. The M12 size is especially suitable for installing and removing steel and aluminium access-denial posts.



Recommendations

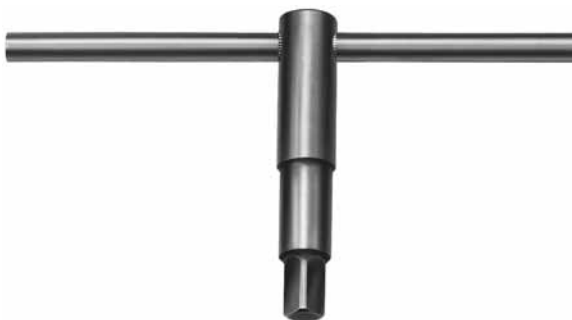


DIN 7417,
page 62

DIN 905

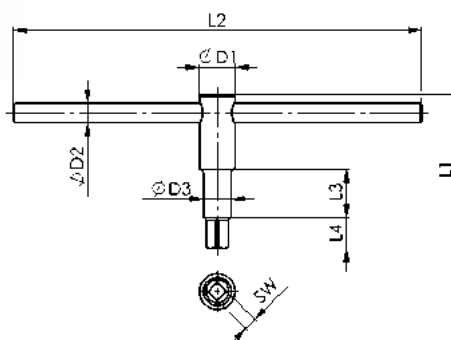
Screwdriver for square drive bolts

Special steel, body and tommy bar hardened and blued. Tommy bar pressed in.



Order no.	SW	D1	D2	D3	L1	L2	L3	L4	Weight [g]
41988	(4)	12,0	6,0	6	60	160	20	9	70
41996	5	12,0	6,0	8	60	160	20	11	70
42002	6	12,0	6,0	10	80	160	22	12	80
42010	(7)	14,6	6,0	12	80	160	26	15	115
42028	8	16,0	9,0	14	80	180	26	15	180
42036	9	16,0	9,0	14	80	180	26	17	180
42044	10	20,0	11,0	18	100	200	30	18	320
42051	11	20,0	11,0	18	100	200	30	20	320
42069	12	24,0	12,0	20	100	250	38	21	450
42077	13	24,0	12,0	20	100	250	38	22	450
42085	14	28,0	14,6	22	120	320	38	24	780
42093	17	34,0	16,0	25	160	400	50	28	1500
42101	19	36,0	16,0	28	200	400	50	30	1850
42119	22	42,0	20,0	32	200	630	65	34	3100

() DIN extended



Recommendations



No. 960,
page 60

DIN 7417

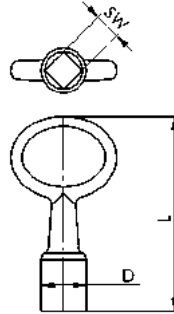
Square socket key

Die-cast zinc.

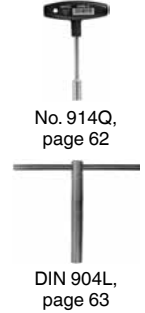


Order no.	SW	D	L	Weight [g]
56002	6	11	55	18
56010	7	13	52	20
56028	8	14	58	24
56044	10	18*	68	40

* similar to DIN.



Recommendations



No. 914Q

Square socket spanner with T-grip

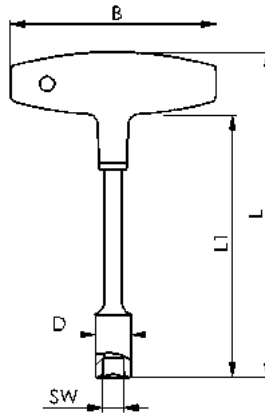
Blade: CHROME-VANADIUM, hardened and zinc-plated.
Handle: impact-resistant plastic (cadmium-free).



Order no.	SW	L1	B	D	L	Weight [g]
44115	8	125	100	14	151	122
44123	10	125	100	17	155	150

On request:

Other lengths and executions on request. On request with advertising or company imprint.



Recommendations



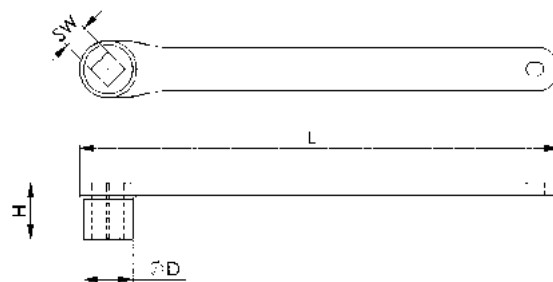
No. 248

Square ring spanner

Special steel, hardened and blued. Continuous square socket.



Order no.	SW	D	H	L	Weight [g]
40022	8	17	20,0	160	85
40030	10	21	22,5	195	165
40048	12	24	26,5	235	275
40105	13	26	27,5	250	300
40055	14	27	30,5	270	420
40063	17	30	37,0	315	530
40071	19	35	41,0	345	715
40089	22	39	46,0	385	900
40097	24	43	49,0	415	975



Recommendations



Subject to technical alterations.

DIN 904

Square socket spanner

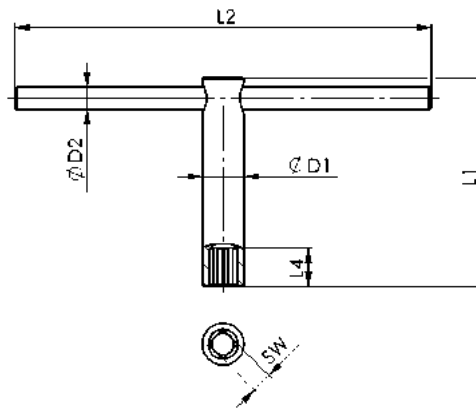
Special steel, body and tommy bar hardened and **blued**. Tommy bar pressed in.



Order no.	SW	D1	D2	L1	L2	L4	Weight [g]
41665	4	12,0	6,0	60	160	11	85
41673	5	12,0	6,0	60	160	11	85
41681	6	12,0	6,0	80	160	12	100
41699	7	14,6	6,0	80	160	15	130
41707	8	16,0	9,0	80	180	15	180
41715	9	18,0	9,0	100	180	18	245
41723	10	20,0	11,0	100	200	18	340
41731	12	24,0	12,0	100	250	21	520
41749	13	24,0	12,0	100	250	22	520
41756	14	28,0	14,6	120	320	24	875
41764	17	34,0	16,0	160	400	28	1625
41772	19	36,0	16,0	200	400	30	2035
41780	22	42,0	18,0	200	500	34	2900
41798	24*	45,0	20,0	250	630	36	4270

* Contrary to DIN, shaft is not bored.

Recommendations



No. 248, page 62

DIN 904L

Square socket spanner

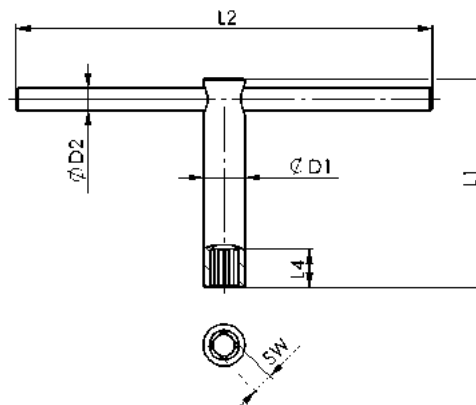
long version. Special steel, body and tommy bar hardened and **blued**. Tommy bar pressed in.



Order no.	SW	D1	D2	L1	L2	L4	Weight [g]
41848	5	12	6,0	120	160	11	100
41855	6	12	6,0	160	160	12	110
41863	8	16	9,0	160	180	15	210
41871	9	18	9,0	200	200	18	390
41889	10	20	11,0	200	200	18	390
41897	12	24	12,0	200	250	21	600
41905	13	24	12,0	200	250	22	600
41913	14	28	14,6	200	320	24	795
41921	17*	34	16,0	250	400	28	1500
41939	19*	36	16,0	320	400	30	1700

* Contrary to DIN, shaft is not bored.

Recommendations



No. 914Q, page 62



No. 714T-6D, page 64

DIN 894

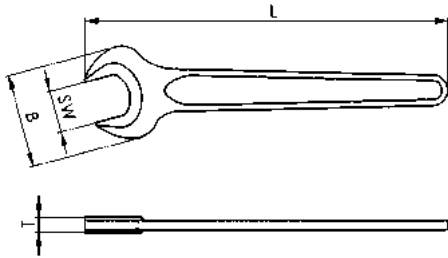
Open-ended spanner, single-ended

Special steel forging, jaws machined, angle of jaws 15°, hardened and phosphated.



Order no.	SW	Thread metric	B	L	T	Packaging unit	Weight [g]
53579	8	5	19	94	4	10	13
53595	10	6	22	105	5	10	20
53611	12	-	26	125	5	10	28
53629	13	8	29	125	5	10	35
53645	17	10*	36	155	6	10	65
53520	18	12	39	155	7	10	70
53652	19	12*	40	170	7	10	83
53660	22	14*	46	195	8	10	105
53678	24	16	50	215	9	10	150
53686	27	18	56	240	10	10	200
53694	30	20	62	265	11	10	265
53702	32	22*	67	275	12	10	295
53710	36	24	74	300	13	10	425

* Size to old DIN standard.



Recommendations



No. 902Md, page 58

No. 714

Open-ended spanners, double-ended, thin version

CHROME-VANADIUM, hardened and nickel-plated. Jaws machined to ISO 691-1.

Order no.	SW	L	T	Weight [g]
51326	3x 3,5	120	1,5	8
51342	4x 4,5	120	1,5	8
51367	5x 5,5	120	1,5	8
51383	6x 6,5	120	1,5	8
51391	7x 8,0	125	2,0	18
51409	9x10,0	125	2,0	21



No. 714T-6D

Open-ended spanners, double-ended, thin version

in plastic tool roll, 6-piece set.

Order no.	Contents	Weight [g]
51524	3x3.5, 4x4.5, 5x5.5, 6x6.5, 7x8, 9x10	90



The table shows the across-flat (A/F) sizes of metric Withworth and BSP threads:

A/F	3	3,2	3,5	4	4,5	5	5,5	6	6,5	7	8	9	10
Metric thread size [mm] (ISO 272)	1,2 1,4	1,6	1,8	2,0	2,3	2,5	3,0	3,5	-	4,0	5,0	-	6,0
Woodscrews [mm] (DIN 571)	-	-	-	-	-	-	-	-	-	4,0	5,0	-	6,0
Sheetscrews [mm] (ISO 1479, DIN 6928)	-	2,2	-	2,9	-	-	3,5 3,9	-	3,5 3,9	4,2	4,8 5,5	-	6,3

Subject to technical alterations.

DIN 14822

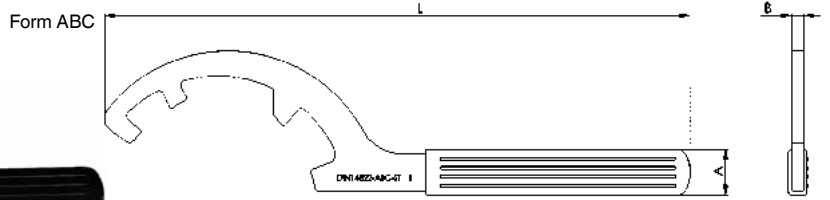
Coupling wrench for fire hydrant couplings

Case-hardened steel, zinc-plated. All sharp edges broken. Grip with cold protection. Stamped DIN 14822-ABC (or BC).

Order no.	Form	Lug spacing	for Storz	L	A	B	Weight [g]
45344	ABC	66-133	52-75-110	400	25	8	685
45336	BC	66-89	52-65-75	280	20	6	290

On request:

Special versions to old standard.

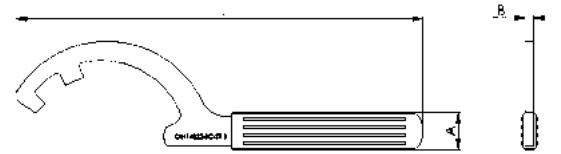


Recommendations



DIN 1810AD, page 44

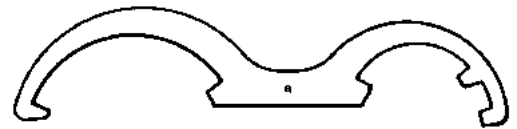
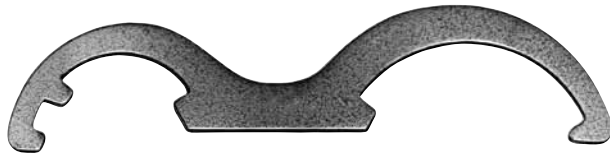
Form BC



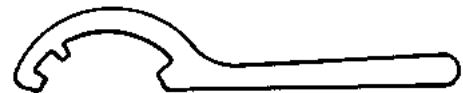
No. 14822

Special-Coupling wrench for fire hydrant couplings

On request, we can supply special versions.



Form ABC



Form BC



Form C



Subject to technical alterations.



- + Fully automatic cleaning of the fixture and the complete inside space of the machine
- + Removes from employees the burden of disliked and unproductive tasks



- + Economical marking of workpieces directly in the machine tool
- + Reduces throughput times of parts in production



MARKING AND
CLEANING TOOLS

AMF
CLAMPING. SCREWING. LOCKING.

Catalogue 2015/2016

THE MANUFACTURE OF SPECIAL HANDTOOLS TO CUSTOMERS' INDIVIDUAL REQUIREMENTS IS AN AMF SPECIALITY.

Such handtools can be either specially designed and produced, or cost-effectively modified from an item in the comprehensive AMF product range to meet your needs. To start with, drawings or sketches and the required quantities are all we need.

Specials, just as you need them, in widely differing forms and versions.
 Top quality for a long working life.
 From specialists for specialists!

Please formulate your enquiry as accurately as possible.
 We assure you that we will reply by return.
 The details we need are given in the list below:

- 1) DIN designation or drawing no.
- 2) Quantity.
- 3) Across-flats size and angle of jaws (A).
- 4) Material:
 special steel, CrV steel or stainless steel.
- 5) Execution of edges:
 punch-rounded, broken by buffing, edge ground etc.
- 6) Thickness of spanner (B).
- 7) Strength requirements:
 hardened or unhardened.
- 8) Surface finish:
 blued, nickel-plated or zinc-plated.
- 9) Marking (C):
 company name, size, description.
- 10) For hook wrenches:
 hook form, pin diameter.
- 11) For pin spanners:
 pin spacing and diameter.
- 12) Delivery date.



No. 902

Open-ended spanner, single-ended

stamped from steel sheet. Material, thickness, strength properties and other details to your specification.



			*	Minimum order quantity
3/3,2/3,5/4	65	11	1 - 2	100
4,5/5	75	15	1 - 2	
5,5/6	75	15	1 - 3	
7/8	92	18	2 - 4	
9/10	100	21	2 - 4	
11/12	115	24	2,5-5	
13/14	135	30	3 - 6	
15/16/17	145	35	3 - 6	
18/19/20	175	42	3 - 6	50
21/22/23	195	48	4 - 8	
24/25/26	215	54	4 - 8	
27/28	235	58	4 - 8	
30/32/34	260	66	4 - 10	25
36/41	310	84	5 - 10	
46/50	385	102	5 - 10	10
55	375	120	5 - 10	10
60	385	120	5 - 10	10
65	385	120		
70	390	140		
75	410	150	5 - 10	5
80	420	158		
85	445	172		
90	450	180	5 - 10	5
95	465	190		
100	470	200		
105	500	200	6 - 12	2
110	500	210		
115	510	225		
120	530	235	6 - 12	2
130	560	252		
135	585	265		
145	595	280	7 - 15	2
150	620	280		
155	620	300		
165	680	330	7 - 15	2
175	690	340		
180	690	355		
185	700	360	7 - 15	2
190	730	360		
200	740	380		

* Optimum thickness range.

No. 685

Open-ended spanner, single-ended

short form



			*	Minimum order quantity
8/9	85	22	2 - 4	100
10/11/12	93	26	2 - 4	
13/14/15	98	30	2,5-5	
16/17	100	37	2,5-5	
18/19	100	40	2,5-5	50
20/21/22/23/24	120	47	3 - 6	
25/26/27/28	130/180	55	3 - 6	
30/32	140	66	4 - 8	25
36	160	74	4 - 8	
41	170	84	5 - 10	10
46	185	96	5 - 10	
50	185	96	5 - 10	
55	195	106	5 - 10	
60	208	120	5 - 10	
65	218	125	6 - 12	
70	245	135		
75	255	142		
80	275	150		
85	275	170		
90	280	180		
95	305	185		
100	310	200		
105	310	205		
110	330	216		7 - 15
115	355	235		
120	360	235		
130	370	250	10 - 20	
135	385	250		
145	420	280		
150	500	315		

* Optimum thickness range.

Subject to technical alterations.

No. 658
Open-ended spanner, double-ended

(previously DIN 658)

Across-flat pairings to your specification

				*	Minimum order quantity
3,2 - 4,0 4,0 - 5,0 5,0 - 5,5	60 72 84	9,0 9,5 12,0	10,0 10,5 13,0	1 - 2,0 1 - 2,0 1 - 2,5	100
5,5 - 8,0 8,0 - 9,0 8,0-11,0	100 110 125	15,5 18,0 22,0	18,0 20,0 24,0	1,5 - 3 2,0 - 4 2,5 - 5	100
11 - 14 13 - 17 17 - 19	144 162 175	25,5 30,0 35,0	29,0 35,0 40,0	3,0 - 6	100 100 50
19 - 22 22 - 24 24 - 27	220 225 250	42,0 46,0 53,0	46,0 50,0 60,0	4 - 8 4 - 8 5 - 10	50
27 - 32 32 - 36	285 305	63,0 66,0	66,0 74,0	5 - 10	50

* Optimum thickness range.

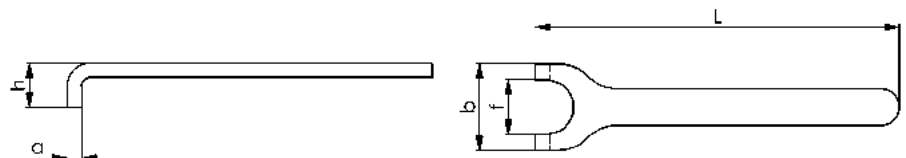

No. 710
Open-ended spanner, double-ended

(German Post standard)

					Minimum order quantity
3,2 - 4,0 4,0 - 5,0 5,0 - 5,5	90	10 11 13	11 11 13	1,5 2,0 2,5	100
5,5 - 8,0 8,0 - 9,0 8,0 - 11,0	90 125 -	14 18 -	14 18 -	3,0 4,0 -	100
9,0 - 9,0 10,0-10,0 10,5-11,0	125	20 22 24	20 22 24	5,0	100
11 - 14 13 - 17 17 - 19	125	26 30 35	26 30 35	5,0	100 100 50


DIN 3115
Spanner for nuts with slotted face, version B

Nuts size	a	b	f	h	L
M 5	1,8	9,8	5,5	6	50
M 6	2,3	10,8	6,5	7,5	65
M 8	2,8	13,8	9,0	9	80
M 10	3,3	17,8	11	11	90
M 12	3,8	21,8	13	12	100
M 14	3,8	23,8	15	12	100
M 16	3,8	26,8	17	14	125
M 18	3,8	29,8	19	14	140
M 20	4,8	31,8	21	15	160



Subject to technical alterations.

... BY ITEM NO.

Article no.	Page	Article no.	Page	Article no.	Page	Article no.	Page	Article no.	Page
DIN 14822	65	No. 250	57	No. 775NI	48	No. 907S	37	No. 911LG-HM9F	23
DIN 1810A	44	No. 250K	60	No. 775SC	46	No. 907SH	36	No. 911LG-HM9NI	27
DIN 1810AD	44	No. 250Md	58	No. 775SNI	46	No. 908	35	No. 911LG-HZ13D	33
DIN 1810B	45	No. 2936DZ	31	No. 776C	49	No. 908L-HT13C	40	No. 911LG-H100	24
DIN 1810BD	45	No. 2936LDZ	31	No. 776D	49	No. 908-TT9	36	No. 911LG-H100F	24
DIN 22417A	61	No. 318	59	No. 776Md	50	No. 909EG7	28	No. 911LG-WM9	27
DIN 3116	56	No. 6911 BM7	21	No. 776SC	47	No. 910	9	No. 911L-HM9C	19
DIN 3116A	56	No. 714	64	No. 902Md	58	No. 911BM10D	17	No. 911L-HM9D	20
DIN 3116C	56	No. 714T-6D	64	No. 906	12	No. 911BM7D	17	No. 911L-HZ 9D	33
DIN 317	59	No. 758	51	No. 906F	9	No. 911BZ7	34	No. 911L-WM9	16
DIN 6368	60	No. 758CC	52	No. 906GE	29	No. 911G-BM10	30	No. 911TM	18
DIN 6911D	21	No. 758NI	51	No. 906M	9	No. 911G-C	30	No. 911TZ	34
DIN 7417	62	No. 758S	52	No. 906Q	12	No. 911G-TM7	30	No. 911-WM9	16
DIN 894	64	No. 764	53	No. 906QE	10	No. 911-HM9C	19	No. 914Q	62
DIN 904	63	No. 764AZ	54	No. 906QE-WM7	11	No. 911-HM9D	20	No. 918-HT8C	40
DIN 904L	63	No. 764AZ4	55	No. 906QGE	29	No. 911HZ 9D	32	No. 918-HT8F	39
DIN 905	61	No. 764CC	53	No. 906Q-WM7	13	No. 911L-BM8D	18	No. 929MB-25	41
ISO 2936C	14	No. 764Md	54	No. 906QZ	32	No. 911LG-BM8C	28	No. 929SB-33	41
ISO 2936D	15	No. 764ZB-M6	55	No. 906-WM7M	13	No. 911LG-BM8D	28	No. 960	60
ISO 2936LC	14	No. 771C	50	No. 906-WM9	13	No. 911LG-C	22	No. 966QGE	29
ISO 2936LD	15	No. 771Md	50	No. 907LE	37	No. 911LG-D	22		
No. 14822	65	No. 775C	48	No. 907Q	38	No. 911LG-HMC	26		
No. 248	62	No. 775D	48	No. 907Q-WT7	38	No. 911LG-HM9D	26		

... BY ORDER NO.

Order no.	Page	Order no.	Page	Order no.	Page	Order no.	Page	Order no.	Page
40022	62	41277	54	42242	12	42788	15, 31	43836	36
40030	62	41285	54	42259	12	42796	15, 31	43851	18
40048	62	41665	63	42283	13	42895	15, 31	43869	18
40055	62	41673	63	42291	13	42903	15	43877	18
40063	62	41681	63	42341	27	42911	15	43893	34
40071	62	41699	63	42358	14	42937	15, 31	43901	34
40089	62	41707	63	42366	14	42945	15	43919	34
40097	62	41715	63	42374	14	42952	15	44008	9
40105	62	41723	63	42382	14	42960	15, 31	44065	16
40147	59	41731	63	42390	14	42978	15	44099	16
40154	59	41749	63	42408	14	42986	15	44115	62
40162	59	41756	63	42416	14	42994	15	44123	62
40170	59	41764	63	42424	14	43000	15	44156	32
40188	59	41772	63	42432	14	43018	15, 31	44164	33
40220	59	41780	63	42440	14	43067	14	44180	33
40238	59	41798	63	42457	14	43273	31	44354	61
40477	51	41848	63	42465	14	43299	15, 31	44362	61
40485	51	41855	63	42473	14	43307	31	44370	61
40493	51	41863	63	42481	14	43323	31	44388	61
40618	51	41871	63	42499	14	43331	31	44396	61
40626	51	41889	63	42507	14	43356	31	44404	61
40634	51	41897	63	42515	14	43364	31	44412	61
40758	51	41905	63	42523	14	43372	31	44453	56
40766	51	41913	63	42531	14	43406	31	44461	56
40774	51	41921	63	42549	14	43422	31	44479	56
40899	51	41939	63	42556	14	43448	31	44487	56
40907	51	41988	61	42564	14	43471	31	44495	56
40915	51	41996	61	42572	14	43539	31	44503	56
40998	54	42002	61	42580	14	43547	31	44511	56
41004	54	42010	61	42606	13	43562	31	44529	56
41012	54	42028	61	42614	15	43588	31	44537	56
41020	54	42036	61	42630	15	43596	15, 31	44545	56
41038	53	42044	61	42648	15, 31	43604	31	44552	56
41046	53	42051	61	42655	15	43612	31	44560	56
41053	53	42069	61	42663	15	43638	31	44628	56
41061	53	42077	61	42671	15, 31	43703	14	44636	56
41079	53	42085	61	42689	15	43711	14	44644	56
41087	53	42093	61	42697	15	43729	14	44651	56
41095	53	42101	61	42705	15, 31	43737	14	44669	56
41103	53	42119	61	42713	15, 31	43745	14	44685	56
41111	53	42168	12	42721	15	43752	14	44727	60
41129	53	42184	12	42739	15	43760	14	44735	60
41137	54	42192	12	42747	15	43786	14	44743	60
41145	54	42200	12	42754	15	43794	14	44750	60
41152	54	42218	12	42762	15	43802	14	44768	60
41160	54	42234	12	42770	15	43810	14	44776	60

... BY ORDER NO.

Order no.	Page	Order no.	Page	Order no.	Page	Order no.	Page	Order no.	Page
44784	60	46102	30	47852	55	51524	64	53694	64
44792	60	46185	36	47860	55	51532	50	53702	64
44800	9	46458	30	47878	55	51557	50	53710	64
44826	17	46466	30	47886	55	51649	48	54387	44
44842	34	46474	30	47894	60	51656	48	54403	44
44867	21	46490	30	47902	60	51664	48	54429	44
44875	9	46516	30	47910	60	51672	48	54445	44
44883	32	46524	26	47928	60	51680	48	54585	44
44891	32	46532	30	47936	60	51730	48	54593	44
44917	32	46540	35	47944	60	51748	48	54601	44
44933	32	46557	30	48264	41	51755	48	54619	44
44958	12	46565	35	48280	41	51763	48	54627	44
44966	12	46573	30	48900	40	51771	48	54635	44
44974	12	46581	35	48918	39	51821	47	54643	44
44982	12	46599	30	49007	10	51839	47	54650	44
44990	12	46607	35	49015	10	51847	47	54668	44
45005	12	46615	35	49023	10	51854	47	54676	44
45013	12	46623	35	49031	10	51862	47	54684	44
45021	12	46631	35	49049	10	51870	47	54692	44
45039	12	46649	35	49056	10	51888	47	54700	44
45047	12	46656	35	49072	10	51896	47	54718	44
45054	12	46664	35	49098	10	51904	47	54726	44
45062	12	46672	35	49114	10	51912	47	54734	44
45070	12	46680	35	49122	10	52183	48	54742	44
45096	12	46698	35	49148	10	52191	48	54759	44
45112	12	46706	35	49163	10	52209	48	54767	44
45120	32	46722	38	49171	10	52217	48	54775	44
45252	32	46730	37	49205	10	52225	48	54783	44
45260	32	46748	37	49213	10	52233	57	54791	44
45294	32	46755	37	49247	10	52241	57	54809	44
45310	32	46763	37	49254	10	52258	57	54817	44
45336	65	46771	37	49262	10	52266	57	54825	44
45344	65	46789	20	49288	10	52274	57	54841	44
45369	40	46797	20	49577	11	52290	57	54874	45
45377	21	46805	26	49700	27	52308	58	54882	45
45385	21	46847	36	50096	54	52316	58	54890	45
45393	21	46854	36	50104	54	52324	58	54908	45
45401	21	46862	36	50112	54	52340	58	54916	45
45419	21	46870	36	50146	54	52407	60	54924	45
45427	21	46888	36	50161	54	52415	60	54932	45
45435	21	46896	36	50179	54	52423	60	54940	45
45443	21	46987	36	50187	54	52431	60	54957	45
45450	21	47001	23	50195	54	52449	60	54965	45
45641	28	47100	24	50328	55	52506	58	54973	45
45666	9	47118	29	50427	52	52514	58	54981	45
45757	29	47126	29	50500	51	52522	58	54999	45
45765	29	47134	29	50526	51	52753	50	55004	45
45773	29	47142	29	50666	55	52761	50	55012	45
45781	29	47175	24	50914	52	53058	49	55020	45
45823	22	47209	22	50922	52	53066	49	55038	45
45831	22	47217	22	50930	52	53074	49	55046	45
45849	22	47225	22	50948	52	53082	49	55053	45
45856	22	47233	22	50997	56	53090	49	55061	45
45864	22	47241	22	51011	53	53108	49	55079	45
45872	22	47258	22	51029	53	53116	49	55103	44
45880	22	47266	22	51037	53	53124	49	55111	44
45898	22	47274	22	51052	53	53132	49	55129	44
45906	38	47282	22	51060	53	53140	49	55137	44
45914	38	47290	22	51078	53	53157	49	55152	44
45922	38	47407	37	51086	53	53165	49	55160	44
45930	38	47415	37	51094	53	53173	49	55178	44
45948	38	47423	37	51102	53	53181	49	55186	44
45955	38	47431	37	51110	53	53199	49	55202	44
45963	38	47449	37	51201	50	53520	64	55210	44
45989	38	47456	37	51219	50	53579	64	55236	44
46003	18	47613	29	51227	50	53595	64	55251	44
46011	28	47621	29	51326	64	53611	64	55269	44
46029	38	47639	29	51342	64	53629	64	55277	44
46037	17	47670	29	51367	64	53645	64	55285	44
46052	30	47787	55	51383	64	53652	64	55400	45
46060	22	47795	55	51391	64	53660	64	55418	45
46078	28	47803	55	51409	64	53678	64	55426	45
46086	22	47845	55	51516	50	53686	64	55434	45

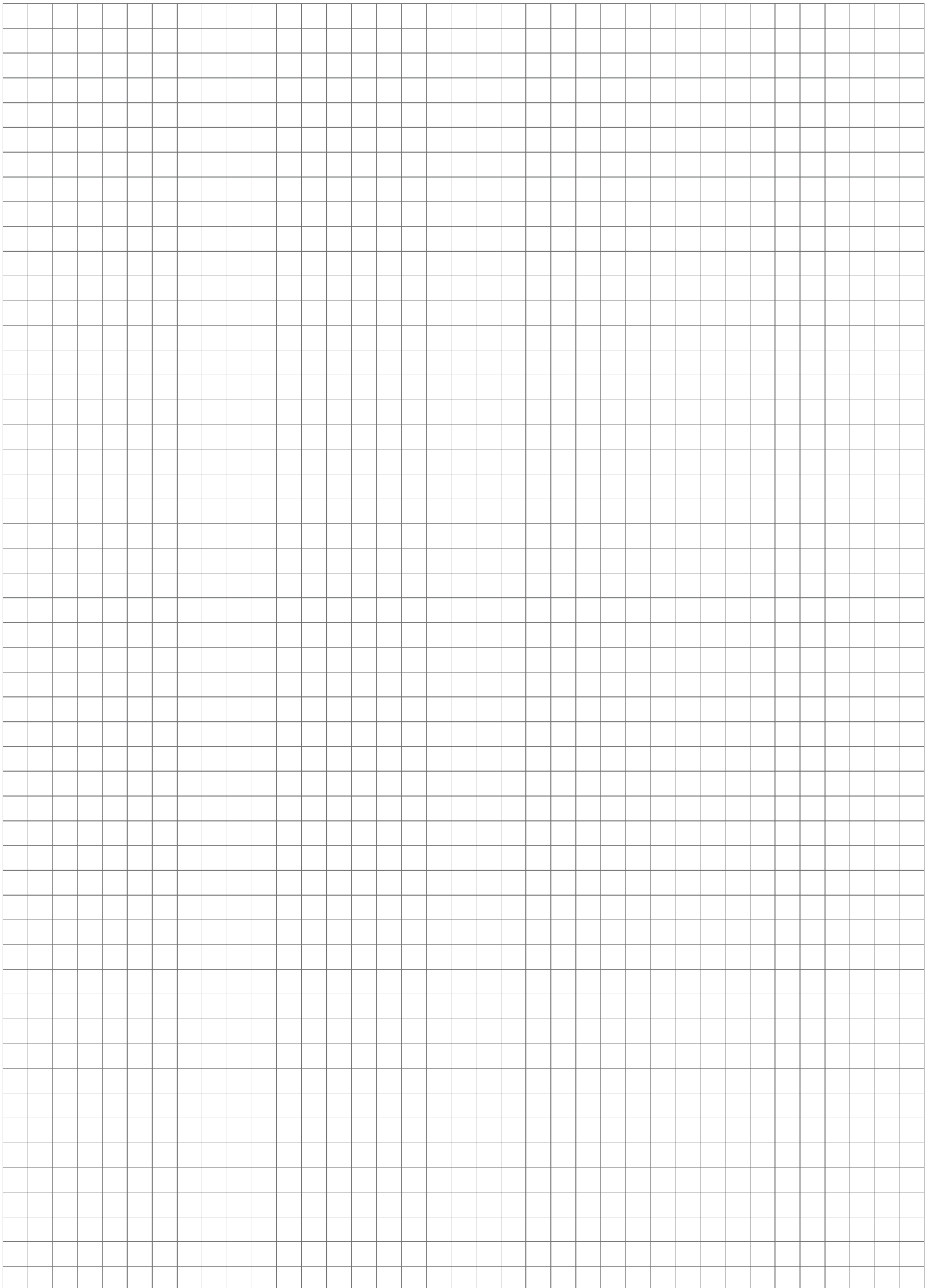
... BY ORDER NO.

Order no.	Page	Order no.	Page	Order no.	Page	Order no.	Page
55442	45	55517	45	56028	62	56796	46
55459	45	55525	45	56044	62	56804	46
55467	45	55533	45	56697	46	56812	46
55475	45	55541	45	56705	46	56820	46
55483	45	55558	45	56713	46	56838	46
55491	45	56002	62	56721	46	89425	19
55509	45	56010	62	56739	46	89433	19

... IN ALPHABETICAL ORDER

Description	Page
A	
Adjustable hook wrench with nose	50
Adjustable hook wrench with nose and torque wrench socket	50
Adjustable pin wrench	51
Adjustable pin wrench, cranked	52
Adjustable pin wrench set	52
Adjustable pin wrench stainless steel	51
Assortment box with loose pins	55
B	
Ball-ended hexagon key - Key box	28, 30
Ball-ended hexagon key - Key holder (metric)	26
Ball-ended hexagon key - key holder, stainless steel	27
Ball-ended hexagon key - Key wallet	30
Ball-ended hexagon key - Workshop stand (mm)	27
Ball-ended hexagon key (metric)	30
Ball-ended hexagon key (metric) with ergonomic 2-component screwdriver grip	29
Ball-ended hexagon key (metric) with ergonomic 2-component T-grip	29
Ball-ended hexagon key (mm), extra long version	22
Ball-ended hexagon key 100° - key holder	24
Ball-ended SCHRAUB-boy	28
Ball-ended TORX hexagon key	40
Biketool	9
Biketool Color	9
C	
Collet chuck key	57
Collet chuck key (Mini)	60
COLOR ball-ended hexagon key - key holder	23
COLOR ball-ended hexagon key 100° - key holder	24
COLOR ball-ended TORX key - key holder	39
Coupling wrench for fire hydrant couplings	65
D	
Double hexagon key (metric) with ergonomic 2-component T-grip	29
Drill drift	59
Drill drift, semi-automatic for morse tapers	59
H	
Hexagon key (metric) with ergonomic 2-component T-grip	10
Hexagon key (metric) with pilot	21
Hexagon keys (inch)	31
Hexagon keys (inch), long version	31
Hexagon keys (inch) with T-grip	32
Hexagon keys (metric)	14, 15
Hexagon keys (metric) with screwdriver handle	12
Hexagon keys (metric) with T-grip	12
Hexagon keys (mm), extra long version	14, 15
Hinged hook wrench with nose, assembly version	46
Hinged hook wrench with nose, assembly version, stainless steel	46
Hinged hook wrench with nose, industrial version	48
Hinged hook wrench with nose, industrial version, stainless steel	48
Hinged hook wrench with pin and torque wrench socket	50
Hinged hook wrench with pin, assembly version	47
Hinged hook wrench with pin, industrial version	49
Hinged pin wrench	53, 54
Hinged pin wrench, offset	53
Hinged pin wrench with torque wrench socket	54
Hook wrench with nose	44

Description	Page
Hook wrench with pin	45
K	
Key box (inch)	34
Key box (metric)	17, 18, 21
Key for collet chuck with torque wrench socket	58
Key holder, ball-ended (inch)	33
Key holder (inch)	32, 33
Key holder (metric)	19, 20
Key wallet (metric)	18
Key wallets (inch)	34
L	
Loose pin with nut	55
M	
Mini-Bit-Set made of high quality tool steel	41
O	
Open-ended spanner, single-ended	64
Open-ended spanner with torque wrench socket	58
Open-ended spanners, double-ended, thin version	64
P	
Precision-Bit Set made of high quality tool steel	41
S	
SCHRAUB-boy (metric)	9
Screwdriver for square drive bolts	61
Socket wrench for coolant tubes HSK-A	60
Special-Coupling wrench for fire hydrant couplings	65
Square ring spanner	62
Square socket key	62
Square socket spanner	63
Square socket spanner with T-grip	62
T	
TORX angled key	35
TORX key holder	40
TORX key wallet	36
TORX key with ergonomic 2-component screwdriver grip	37
TORX key with small grip	37
TORX key with T-grip	38
TORX keys with flag-type grip	36
TORX workshop stand	38
Triangular socket spanner	61
W	
Workshop stand (metric)	11, 13, 16
Workshop stand (metric), metal	13
Wrench for milling arbor screws	60
Wrench for 2 hole nuts	56





HOW DO I ORDER?



AMF e-Business offers you new possibilities! Many of our customers have been ordering AMF products electronically for several years now. Currently, for more than 30% of our sales, orders are placed electronically and processed online. In the sidebar you will find the various ordering options with which you too can profit from the advantages that AMF e-Business offers.

E-COMMERCE AT AMF - THE AMF ONLINE SHOP

In our new AMF Online Shop, AMF offers you the best conditions for your Internet buying. Its basis today is a media-neutral database from which our Online Shop and related print media are generated fully automatically. In this way you always have immediate access to the latest products and revisions.

Using the direct online connection to the AMF inventory control system, you can check the availability and delivery of the goods you need, and check the current status of your order at any time.

If you are a registered customer, you can log in to access your specific, individual prices and order data.

1. Use the „Products“ menu item to go to our Online Shop.
2. Register without obligation; your access data will be sent to you automatically by e-mail.
3. Study our range of products and select those you need on the individual product pages, or use „Rapid registration“ to put them straight in the trolley.
4. Go to „Prices and availability“ to check when a product can be supplied.
5. When you order: send off your order, and you are 98% certain to receive your goods on the next working day (within Germany).
6. The entire system is supplemented and enhanced by integration of the CAD data for AMF products. These are available to our customers free of charge, in over 60 CAD formats, direct from the AMF Shop.

Go online with us – test our website and register so that you have all these advantages. We look forward to your visit ...

IN THE ONLINE SHOP:

Register at www.amf.de/products and order at the click of a mouse - simple and uncomplicated.

USING EDIFACT:

you can order direct from your inventory control system. If desired you can also receive the delivery note and invoice via EDIFACT.

IN E-MAIL FORMAT:

you send us the necessary data for your order. Please ask us how it must be formatted.

BY TELEPHONE:

just as before, all information is available from our service staff

These conditions of sale apply to business conducted with companies, legal entities in the public sector, and legal entities with special budget in the public sector. Our deliveries and services are carried out exclusively on the basis of the conditions stated below. Deviating purchasing conditions of the buyer will not become part of the contract, not even through acceptance of the order, unless we have expressly accepted them.

1. Offer and entering into a contract

The basis of our delivery contracts is the latest edition of our catalogue. Orders are not considered as accepted until they have been confirmed by us in writing. When goods are supplied from stock and, for organisational reasons, you receive no separate confirmation, the invoice has the additional function of confirming the order. Details of dimensions and weights, and illustrations, drawings and data are not binding and may be changed by us at any time. Deviations cannot be excluded.

2. Prices

Prices are quoted in EUR ex-works excluding turnover tax, packing, freight, carriage, and insurance. Unless otherwise agreed, our list prices on the day of delivery apply. In order to cover our costs, orders under EUR 50.– net value are subject to a small order surcharge of EUR 10.–.

3. Delivery

Delivery delays are quoted to the best of our knowledge but without guarantee. Agreed delivery delays begin on the day we accept the order and refer to the completion of the goods in our works.

4. Transfer of risk

Risks are transferred to you when the goods are passed to a specific person, company, or organisation that is charged with the execution of carriage of the goods. This applies also to partial deliveries and when we have accepted the costs of carriage, delivery or erection. The risks are also transferred to you when you have defaulted on acceptance.

5. Dispatch

Goods are supplied ex-works. Dispatch is at your cost and risk. Scheduled, FOB, and CIF deliveries are also at your risk. In the absence of specific instructions concerning dispatch, we will arrange same as we think fit, but without accepting any responsibility for choosing the cheapest or most suitable method of dispatch. We make a handling charge of EUR 5.– if goods are sent at your request to a third party. You accept that your order can be supplied in partial deliveries insofar as this is reasonable.

6. Reservation of proprietary rights

Goods delivered remain our property until payment of all claims has been received in full or until redemption of cheques given in payment. The cancellation of individual positions in an open invoice and the drawing of a balance and its acceptance do not affect proprietary rights. You have the right to dispose of the goods as a normal commercial transaction, but you are forbidden to pawn, mortgage, or transfer ownership of them in settlement of a debt or debts. You surrender to us herewith your right to payment for goods for which we reserve our proprietary rights. You have the right to collect these payments as long as you meet your obligations to us. If we request it, you are obliged to name the third party and we have the right to publish this information and the transfer of rights.

7. Cancellation rights due to late payment or insolvency

If you do not pay for the goods by the time payment is due, and if you have not paid after expiry of a reasonable time limit set by us, we have the right to withdraw from the contract and demand the return of goods already supplied. Rights under § 323 BGB (BGB = German civil law code) remain otherwise unaffected. Application for the opening of insolvency proceedings gives us the right to withdraw from the contract and demand the immediate return of goods supplied before the bankruptcy court orders protective measures.

8. Packaging

Packages comply with the German packaging regulations (WO). Disposable packaging is charged at cost. The packaging is not returnable.

9. Tooling costs

In the absence of any agreement to the contrary, tooling made for the execution of an order remains our property in all cases. This applies even if we have made a charge for a proportion of the tooling costs.

10. Payment

Our invoices are payable net within 30 days of the date of the invoice, or with 2% discount if paid within 10 days. Invoices below EUR 50.– are payable immediately without discount. Our credit notes and your charges on us reduce the amount subject to discount.

Late payment entitles us to interest at the rate the bank charges us for a current account overdraft but at least 8 percent above the current base rate of the European Central Bank. If payment is overdue, we are entitled, after giving you notice in writing, to cease fulfilling our obligations under the contract until payment is received.

11. Offsetting exclusion

You can only offset payments with legally-established or unopposed counter claims.

12. Guarantee

If you come to an agreement with us on properties of the goods, we include this agreement in our technical specifications. If we have to supply to your drawings, specifications, samples, etc., you accept the risk associated with suitability for the intended purpose. The point in time at which risk is transferred is decisive for the contractual condition of the goods. The deterioration of parts subject to wear in the course of normal use does not constitute a defect. If the goods supplied are defective, we will – at our choice and within a reasonable time limit set by you – supply a replacement or repair the goods. If such repair or replacement is not satisfactory, you have the right to reduce the price or withdraw from the contract. Any further guarantee claims are excluded. Recognisable defects must be notified at the latest within 10 days of receipt and defects that are not recognisable must be notified as soon as they are discovered. The guarantee period is 24 months and starts with dispatch of the goods from our works.

13. Hindered or impossible performance

If we are prevented from meeting our obligation by some unforeseeable event (e.g. disruption of our plant, or delay in the delivery of important raw materials), which, in spite of taking all reasonable care appropriate to the circumstances of the case, we have been unable to avert, and it has become impossible to execute the delivery or service punctually, the delivery delay will be extended to an appropriate extent.

14. Liability

Except in the case of injury to life or limb, or damage to health caused by our breach of duty, we are only liable in the event of intent or culpable negligence on our part.

15. Customer specials

Orders for customer specials must be in writing and include binding details of execution, quantities etc. For technical reasons we reserve the right to supply 10% more or less than the quantity specified. If technical changes or cancellation are required, the costs incurred will be charged to the customer.

16. Deliveries of samples and return of goods

Samples will be charged. When goods have been sent for testing or as samples, we will credit you with the additional price against subsequent orders, as long as the net contract value is at least EUR 125.–. The return of goods is only possible with prior agreement. Customer specials may not be returned. For goods returned for reasons outside our responsibility (e.g. wrongly ordered), we charge 10% of the value of the goods but at least EUR 7.50, to cover administration costs.

17. Place of fulfilment, court of jurisdiction

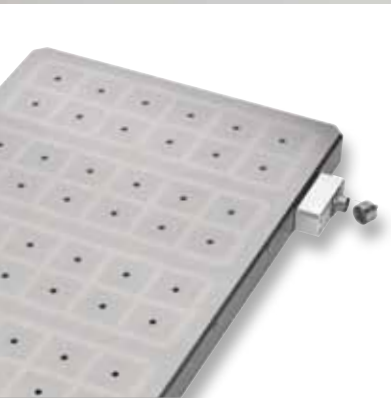
The place of fulfilment for all obligations arising from this contract is D-70707 Fellbach. The court of jurisdiction for any legal dispute arising from this contract is D-71332 Waiblingen. (All disputes that arise from this contract or about its validity will be decided by a court of arbitration according to the Arbitration Rules of the German Committee for Arbitration Courts/Settlement and Arbitration Procedure of the International Chamber of Commerce. Such decisions will be final and normal legal procedures are excluded.) German law applies (BGB and HGB = civil and commercial codes). The application of UN purchasing law (CISG) is excluded.

18. Validity clause

If individual conditions should be found to be not legally valid, the remaining conditions continue to apply. The invalid conditions will be replaced by conditions which fulfil as closely as possible the commercial intent of the contract with reasonable consideration of the interests of both parties. With the publication of these Conditions for Sales, Deliveries and Payment, all previous versions become invalid. This does not apply to contracts agreed before publication.

HAND TOOLS CATALOGUE 2016

Request additional catalogues from www.amf.de



MAGNETIC CLAMPING TECHNOLOGY



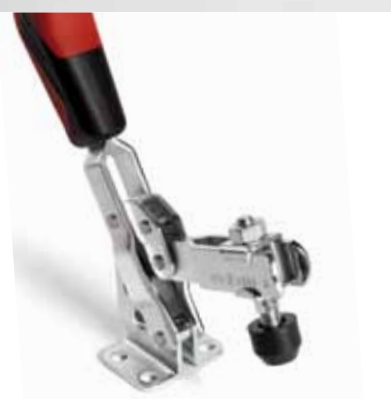
HYDRAULIC CLAMPING SYSTEMS



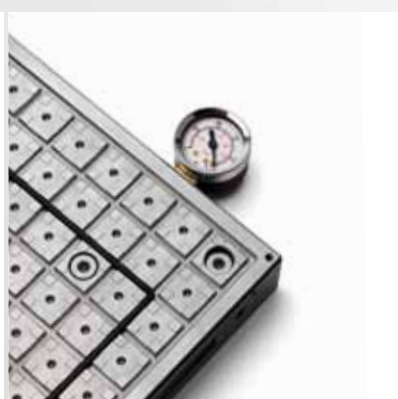
„ZERO-POINT“ CLAMPING SYSTEM



CLAMPING AND FIXTURE SYSTEMS



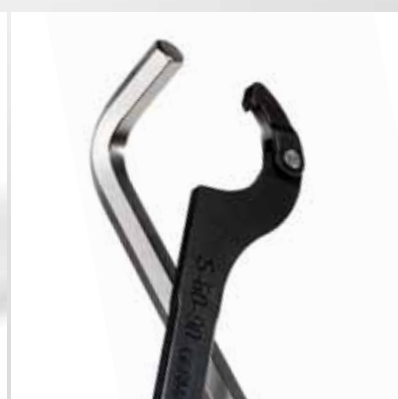
TOGGLE CLAMPS



VACUUM CLAMPING TECHNOLOGY



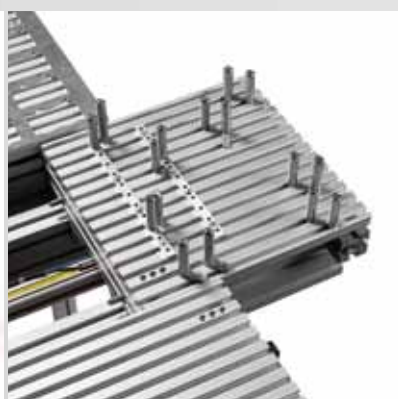
STANDARD CLAMPING ELEMENTS



HAND TOOLS



MARKING AND CLEANING TOOLS



PALLET FEED SYSTEMS



GRIPPER



LOCKS FOR DOORS AND GATES



ANDREAS MAIER GmbH & Co. KG

Waiblinger Straße 116 · D-70734 Fellbach

Phone: +49 711 5766-0

Fax: +49 711 575725

E-mail: amf@amf.de

Web: www.amf.de

Order no. 189282 · € 2,40